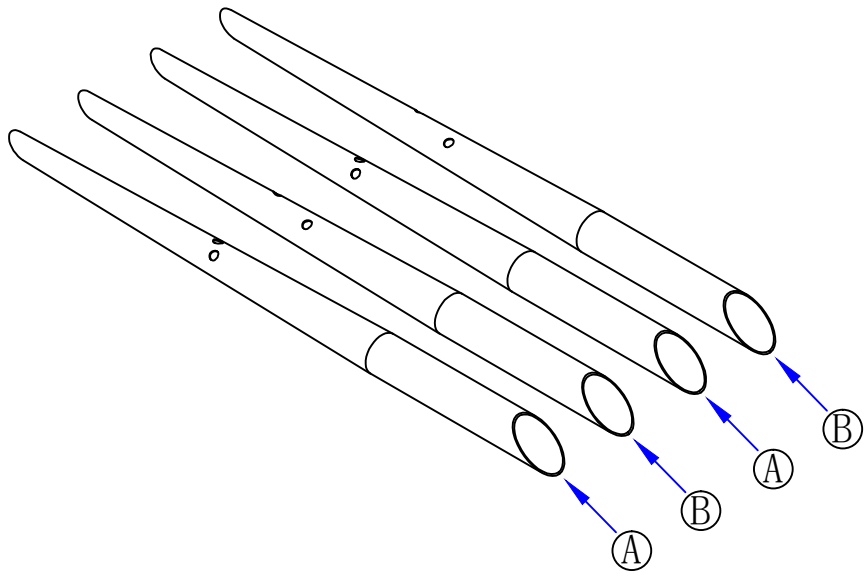
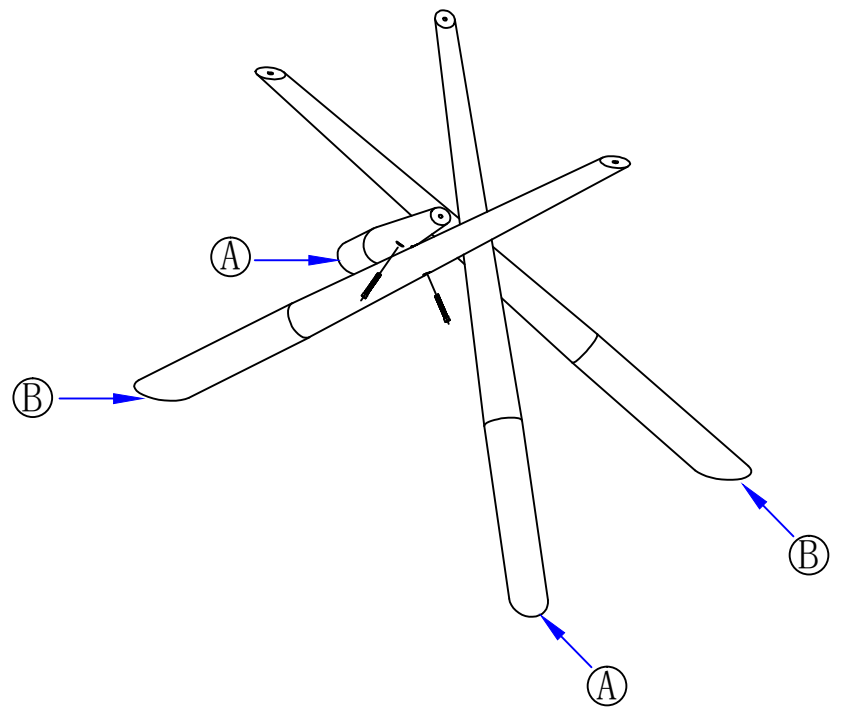


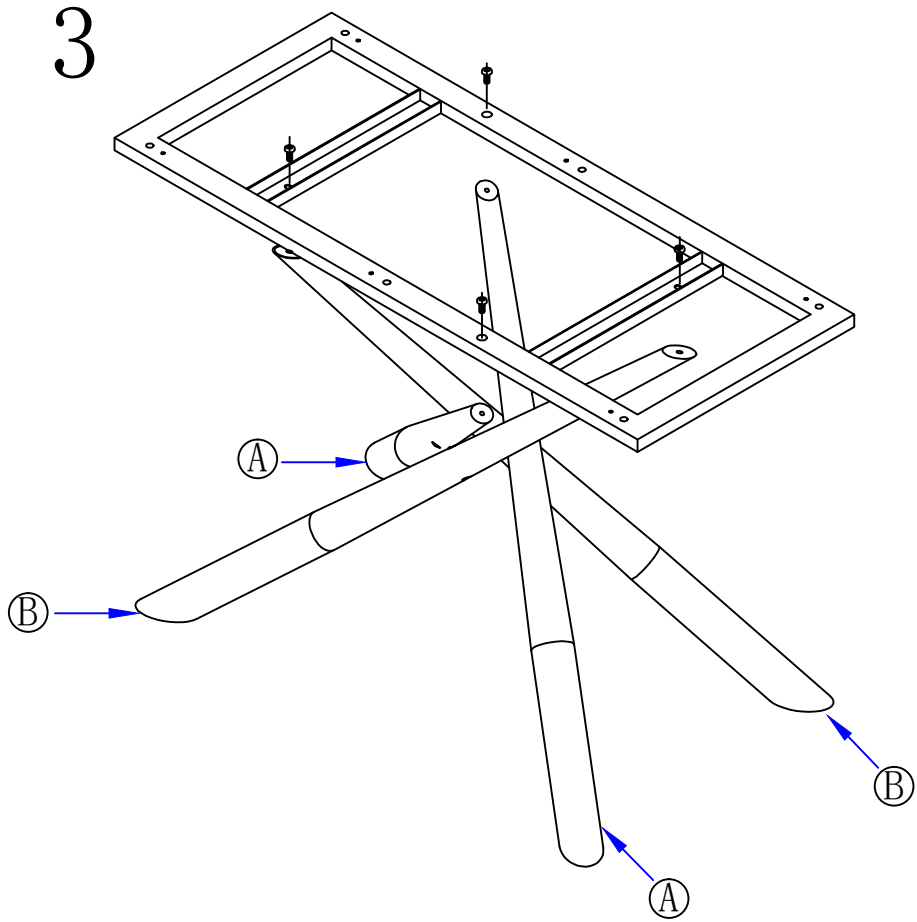
1



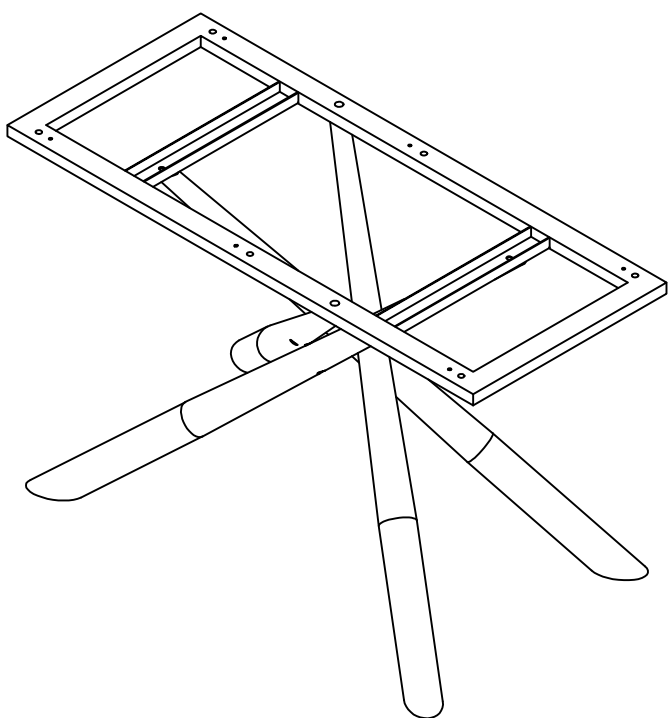
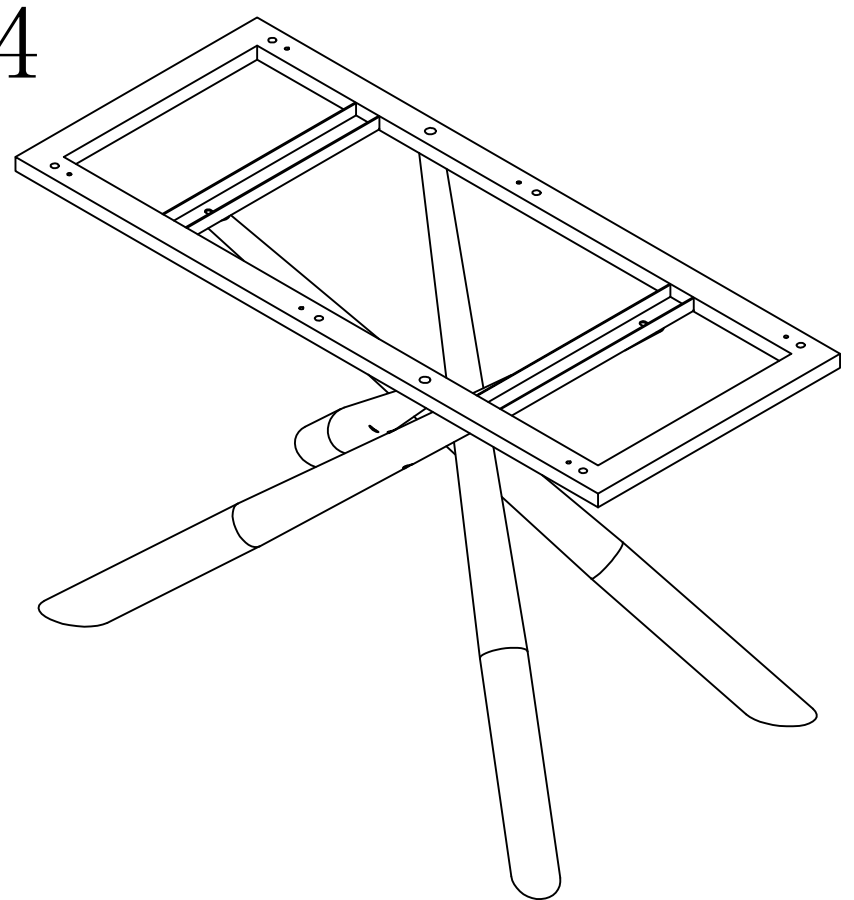
2



3

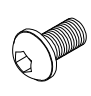





4



1. 760#QH B Installation steps
2. Unpack and identify two legs with different hole positions (short hole distance is foot A, long hole distance is foot B).
2. Cross-connect feet A+B+A+B with screws numbered 2, and do not fully lock the screws.
3. Take out the U-shaped slot on the upper frame and connect the corresponding hole on the long side of the upper frame to the top of foot A using screw No. 1, and then connect the corresponding hole on the U-shaped slot to the top of foot B.
4. After uniformly locking all screws No. 1 and No. 2, connect the upper frame to the table, and adjust the adjustable feet so that the four feet are in line with the ground.

760#QH B

NO	Name	Legend	Size (mm)	QTY	NO	Name	Legend	Size (mm)	QTY
1	Embossed semi-circle hexagon machine wire		M8*8	4	3	Self tapping screw		5*35	6
2	Cylindrical head screw		M8*55	4	4	Spanner		M6	1