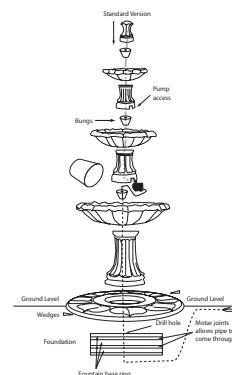
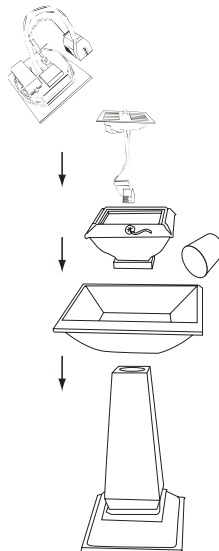
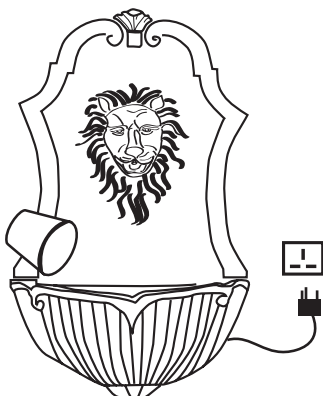
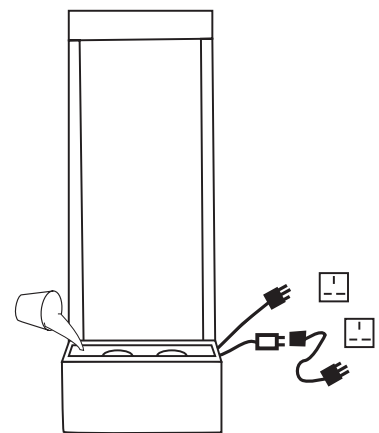
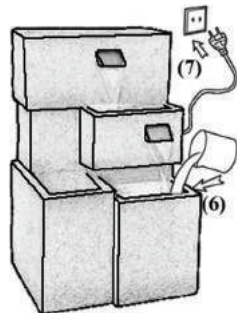
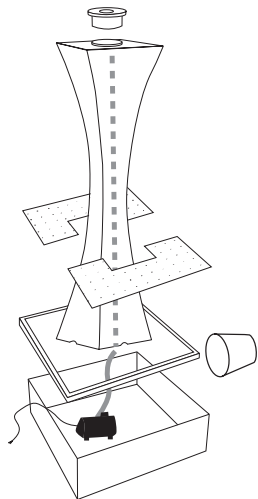
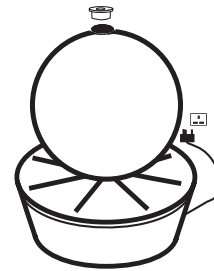
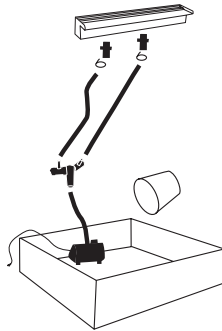
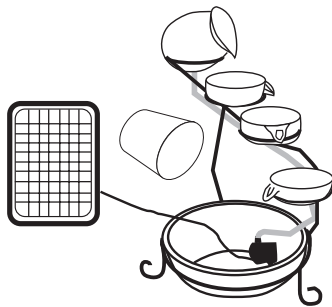




Water Feature Instructions

an overview of our main water features



Cascade Water Features

Step 1

Place feature on a level surface at the desired location.

Step 2

Connect the hose from the top jug to the vent of the pump and place the pump on the floor of the reservoir bowl.

Place all remaining bowls onto the frame.

Step 3

Fill reservoir with clean water and ensure pump is fully submerged.

Step 4

Solar panel: The solar panel should be only cleaned with soft damp cloth.

Step 5

Place solar panel in direct sunlight to allow the battery pack to charge.

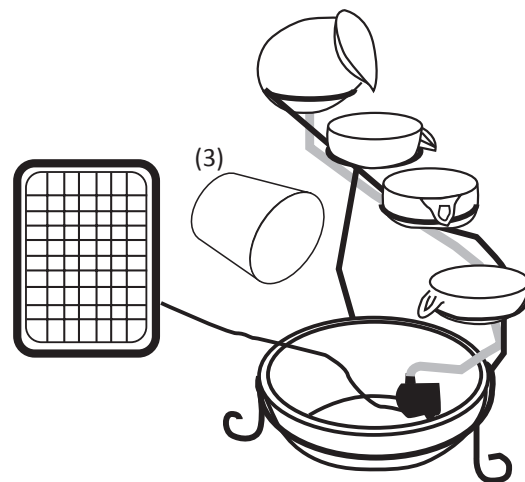
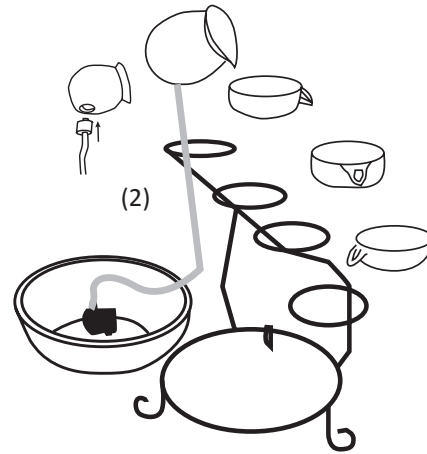
Step 6

Plug in solar panel, wait until trapped air has worked its way out of the pump.



As this pump is water cooled, allowing it to run dry may result in the pump burning out, invalidating the warranty.

DO NOT allow the pump to run dry!



More information available on how to maintain your feature can be found on the back page.

*Plugs not always supplied with feature

Planter Water Features

Step 1

Place feature on a level surface at the desired location.

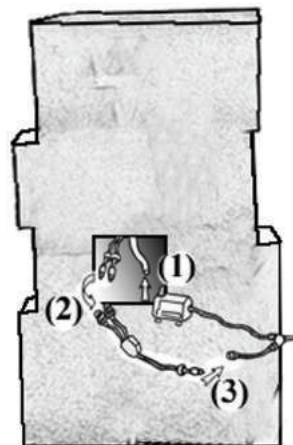
Connect water tube to pump.

Step 2

Connect light cable to the transformer.

Step 3

Connect the transformer to the plug adaptor.

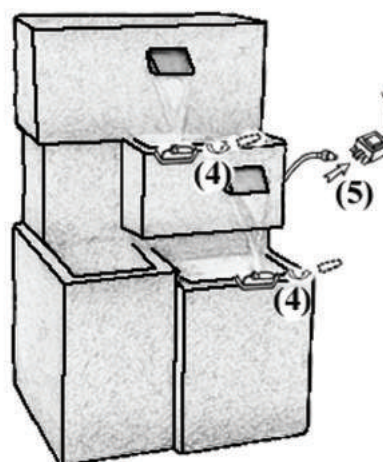


Step 4

Connect bulbs to the feature.

Step 5

Connect the pump and light cable to the plug adaptor.



Step 6

Fill reservoir with clean water and ensure pump is fully submerged.

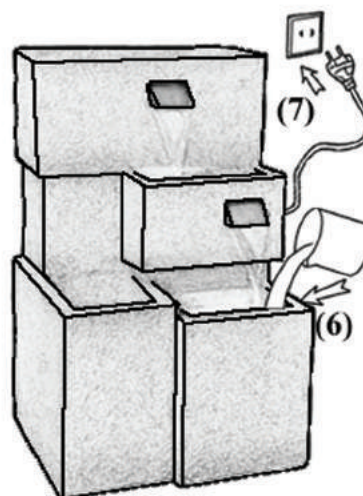
Step 7

Connect the power cable, wait until trapped air has worked its way out of the pump.



As this pump is water cooled, allowing it to run dry may result in the pump burning out, invalidating the warranty.

DO NOT allow the pump to run dry!



More information available on how to maintain your feature can be found on the back page.

*Plugs not always supplied with feature

Sphere Water Features - and Fire

Step 1

Connect hose to pump via the valve and place pump in reservoir feeding hose up through the centre hole (2) in lid.

Step 2

Connect hose to sphere and place lid and sphere onto reservoir.

Step 3

Centralise the sphere over the centre hole (3) and fill the reservoir with clean water ensuring the pump is fully submerged.

Step 4

Connect the plug connector (transformer) to the pump

Step 5

Place the pebbles around the lid to hold everything in place.

Step 6

Plug in, wait until trapped air has worked its way out of the pump.



As this pump is water cooled, allowing it to run dry may result in the pump burning out, invalidating the warranty.

DO NOT allow the pump to run dry!

Step 7 - For fire version only

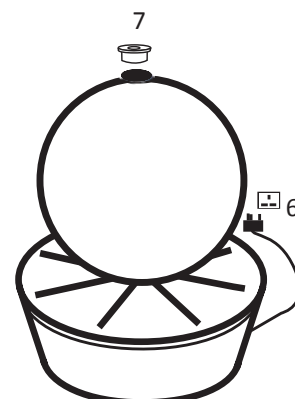
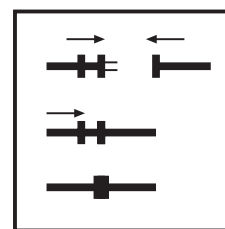
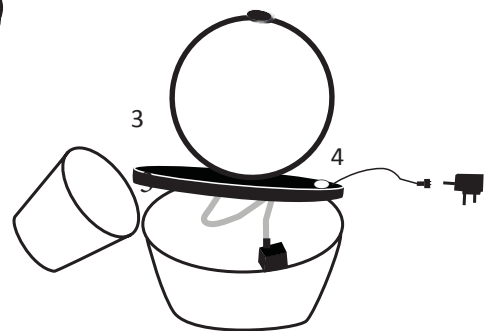
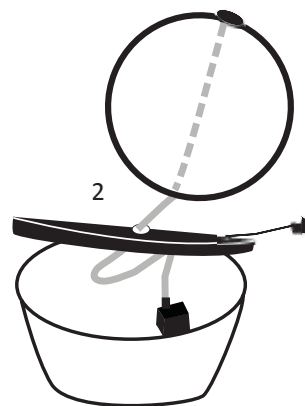
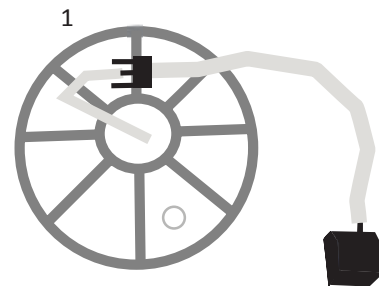
Place oil container (6) to the top of the feature.

To fire-up simply pour some fire gel in the central inner container and light with a naked flame. The gel burns a smokeless, odourless and non-toxic flame suitable for indoor or outdoor use. The gel is made from ethanol with gelling agents, is environmentally friendly and produces no smoke when lit. It will burn a golden flame which is wind resistant and of consistent height.

Step 8 - For fire version only

To extinguish the flames, place the lid (supplied with the feature) over the inner container - the fire will be starved of oxygen and will go out within a couple of seconds.

Check out our website for a video version of the instructions
www.primrose.co.uk



More information available on how to maintain your feature can be found on the back page.

*Plugs not always supplied with feature

Wall Water Features

Step 1

Place reservoir on a level surface at desired location. To ensure an even flow on the face of the feature it is important that it is perfectly level when installed.

Step 2

Attach tubing from the wall to the pump nozzle and place pump in reservoir.

Step 3

Feed the pump cable through the side of the reservoir.

Step 4

Slide the wall into the reservoir.

Step 5

Screw wall to the reservoir.

Step 6

Place lights* into the holes in the tray. Then place the tray onto the wall. Ensuring the power cable is fed through the hole of the reservoir.

Step 7

Connect light cable to the transformer.

Step 8

Fill reservoir with water (preferably distilled) and ensure pump is fully submerged.

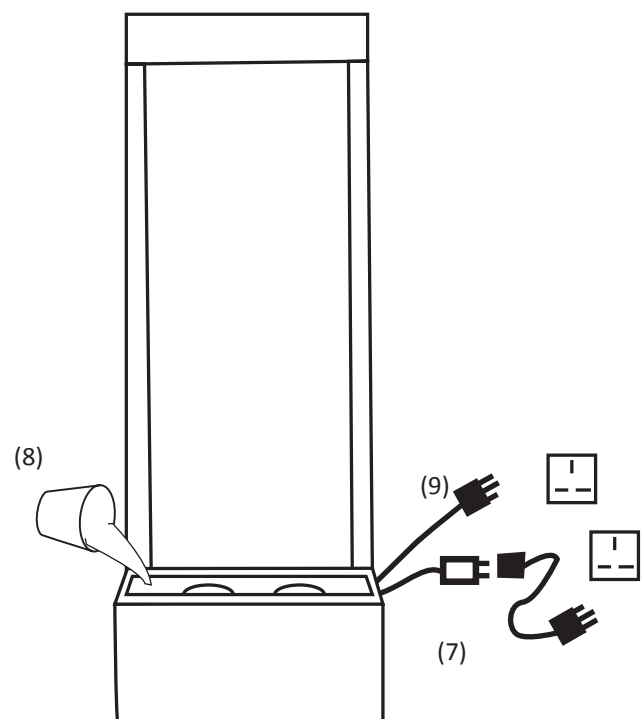
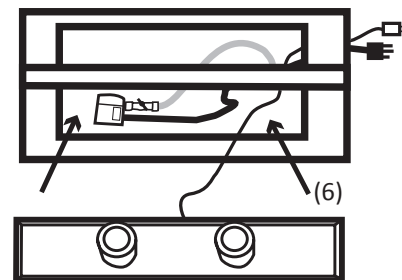
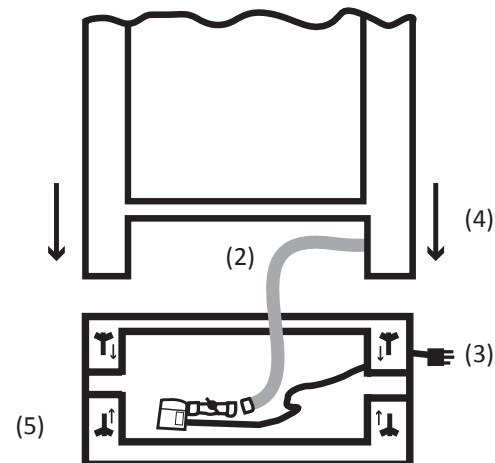
Step 9

Connect the power cable, wait until trapped air has worked its way out of the pump.



As this pump is water cooled, allowing it to run dry may result in the pump burning out, invalidating the warranty.

DO NOT allow the pump to run dry!



More information available on how to maintain your feature can be found on the back page.

*Plugs not always supplied with feature

Blade Water Features

Step 1

Place reservoir into position onto a level surface.
Place pump into reservoir.

Step 2

- Connect ribbed hose to the pump and to the flow adjuster.
- Connect the other ribbed hose to the flow adjuster and the hose tail. Tighten with the jubilee clip.
- Attach the hose tail to the inlet pipe on the cascade.

Step 3

Fill reservoir with clean water and ensure pump is fully submerged.

Step 4

Connect the power cable, wait until trapped air has worked its way out of the pump.
Use the flow adjuster to adjust the flow of the water.

Step 5

Connect the power cable, wait until trapped air has worked its way out of the pump.



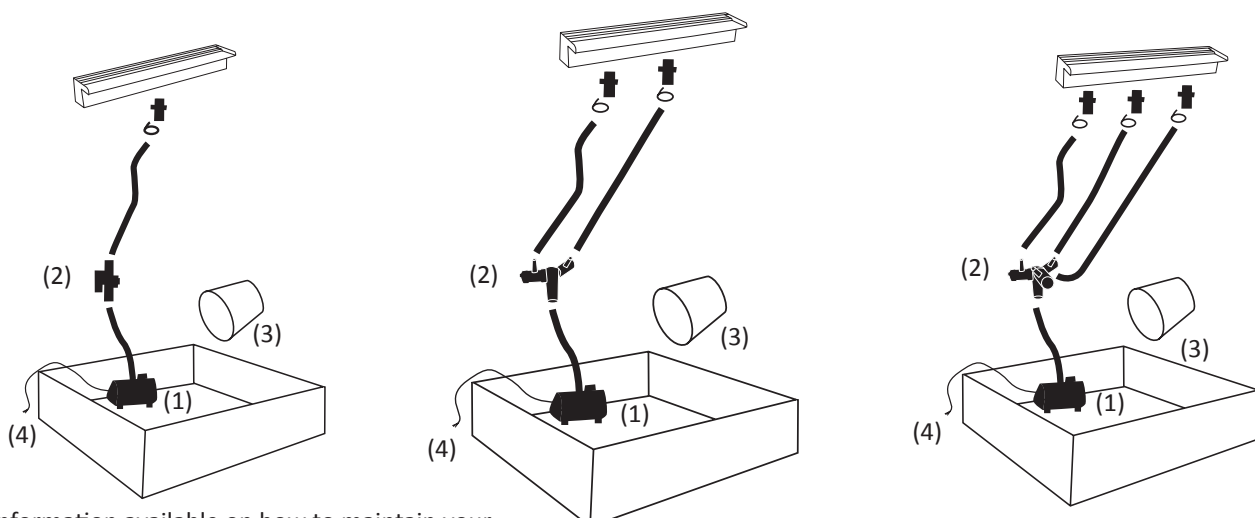
As this pump is water cooled, allowing it to run dry may result in the pump burning out, invalidating the warranty.

DO NOT allow the pump to run dry!

Pump recommendations

See table for suggestions on which pump you should use for the height of your cascade.

Water Projection	Cascade Width					
	30cm	45cm	60cm	90cm	120cm	150cm
150cm	10000lph	10000lph	12000lph	15000lph	20000lph	30000lph
125cm	6000lph	6000lph	10000lph	12000lph	15000lph	18000lph
100cm	4000lph	4000lph	6000lph	10000lph	12000lph	15000lph



More information available on how to maintain your feature can be found on the back page.

*Plugs not always supplied with feature

Stone Water Features

Forward

We recommend that you seek advice from a builder and electrician before you start to assemble this feature.

Whether you have purchased the 2 tier or 3 tier the principle is the same.

Step 1

Depending on the state of the ground a foundation may need to be constructed to support the weight of the feature.

Step 2

The base must be level. We have supplied you with wedges to help with levelling your feature.

Step 3

The tubing does not need to be right through the head. Push it in as far as you can and seal it in with a water proof sealant.

Feed the tubing through a bung and the smallest bowl, then feed the tubing through the first pedestal.

Repeat this until you have fed the tubing through all your tiers.

Step 4

There are access panels in the middle and upper pedestals to help feed the tubing through.

Step 5

Feed the pump cable through the bowl(s) and pedestal(s). Feeding it until it goes through to the ground and under the base.

Step 6

You should now seal all rubber bungs with a water proof sealant.

Step 7

Fill all the bowls with clean water and ensure pump is fully submerged.

Step 8

Connect the power cable, wait until trapped air has worked its way out of the pump.



As this pump is water cooled, allowing it to run dry may result in the pump burning out, invalidating the warranty.

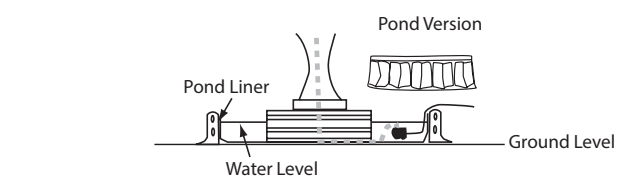
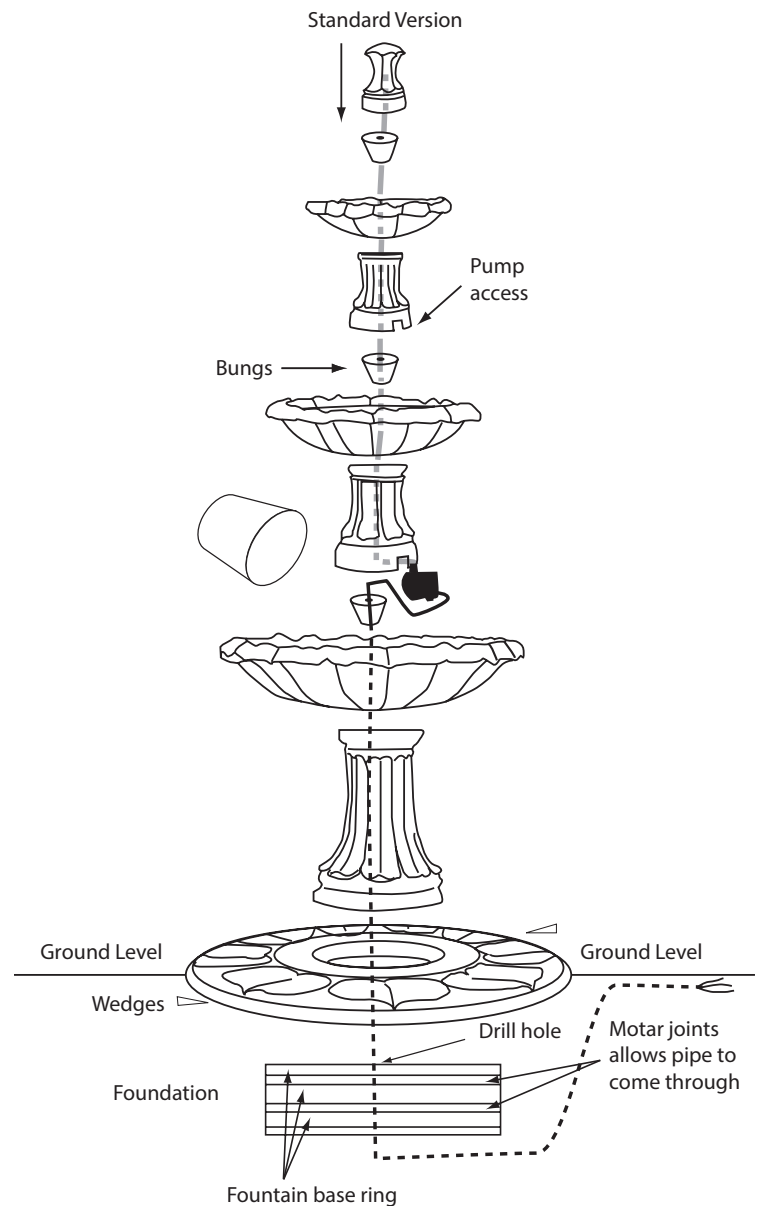
DO NOT allow the pump to run dry!

Maintenance

In very low temperatures, empty, dry and cover the fountain.

In very hot weather frequently fill the bowls up with water. This will stop parts from drying out to much.

Cleaning: Use a mild detergent and a soft cloth/brush. Never clean with ammonia, bleach or abrasives. This may damage the finish of the feature.



More information available on how to maintain your feature can be found on the back page.

*Plugs not always supplied with feature

Programmable Solar Water Features

Step 1

Place feature on a level surface at the desired location.

Step 2

Twist the bowl to the base and lock in position.

Step 3

Attach sprinkler bowl (5) to reservoir bowl (2).

Step 4

Connect the tube on the solar panel to the pump.

Connect sprinkle heads to fountain head of the middle of the solar panel as required.

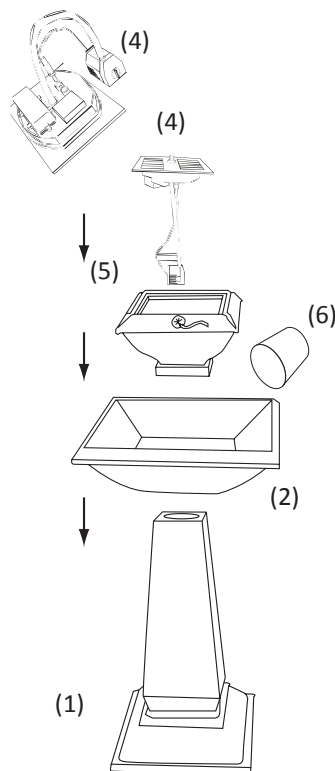
Allow the solar pump to charge for at least 2 days in direct sunlight in order to fully charge the battery. Prior to first use.

Step 5

Place the pump and panel assembly into the top of the feature.

Step 6

Fill reservoir with clean water and ensure pump is fully submerged when you have placed the solar pump on the birdbath.



In order to extend the lifespan of your battery, please remove when your feature's not in use for long periods of time.

Battery Mode:

Turn the switch to "I", the pump will continue working until battery runs out, then the pump will turn to "Solar Mode" automatically.

Once fully charged by solar power it will give you approximately 20 hours running time.

Solar Mode:

Turn the switch to "O". The pump will operate in direct sunlight only, any surplus power is used to charge the battery. The performance of the pump will vary according to sunlight condition.

Function

LED lights will only function at night to save power for when you need it.

Care 1

Solar panel: The solar panel and solar controller should be cleaned with damp cloth.

Care 2

Place in sunlight, wait until trapped air has worked its way out of the pump.



As this pump is water cooled, allowing it to run dry may result in the pump burning out, invalidating the warranty.

DO NOT allow the pump to run dry!

Check out our website for a video version of the instructions
www.primrose.co.uk

More information available on how to maintain your feature can be found on the back page.

*Plugs not always supplied with feature

Wall Fountains

Step 1

This fountain is mounted to the wall via the key hole mounting point at the back of the feature.

Step 2

Route the pump's power cord out through the hole in the back of the feature.

Step 3

Connect the tube to the pump. Lay the pump in the bottom of reservoir.

Step 4

Hang the fountain on the wall using the mounting hole in the back of the fountain.



Attention: please ensure the wall hardware (not included) and the wall surface where the fountain is to hang can support the weight of 22 lbs.

Step 5

Route the pump's power cord properly in the channel at the side of the fountain.

Fill the reservoir with enough water to completely submerge the pump.

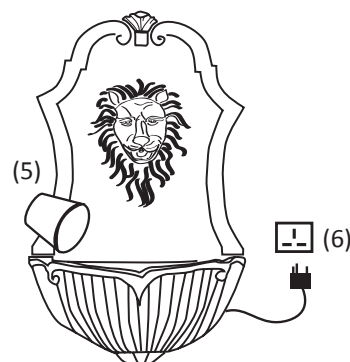
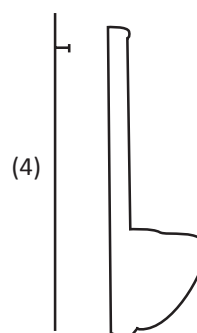
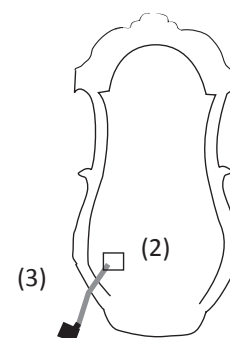
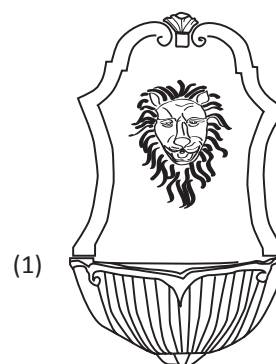
Step 6

Connect the power cable, wait until trapped air has worked its way out of the pump.



As this pump is water cooled, allowing it to run dry may result in the pump burning out, invalidating the warranty.

DO NOT allow the pump to run dry!



More information available on how to maintain your feature can be found on the back page.

*Plugs not always supplied with feature

Tube Water Features

Step 1

Place reservoir bowl (A) into the ground and on a level surface.

Step 2

Feed tubes (1) through the feature tubes (B).

Step 3

Feed (1) through the reservoir lid (2). Place colour changing LED lights (3) into middle of the tubes (B). See diagram 1. Feed cable through lid (2).

Step 4

See Diagram 2 for connection of the 3 tubes on the inside of the lid (2). Place pump (4) into reservoir bowl (A) and connect (1) to pump.

Step 5

Connect light cables (B) to adaptor (5). See diagram 3 to connect all cables to adaptors. Connecting the plug connector (transformer (6)) to the pump, Screw (8) in feature to lid (2).

Step 6

Fill reservoir with clean water and ensure pump is fully submerged.

Getting the water flow right

Turn off all the tubes using the flow adjusters on top of the reservoir lid (2). Start by turning on the tallest tube first and when you have got the flow going through this tube move onto the second tube and finally the smallest tube. This can take a couple of attempts before the flow of the water feels right.

Step 7

Connect the power cable, wait until trapped air has worked its way out of the pump.



As this pump is water cooled, allowing it to run dry may result in the pump burning out, invalidating the warranty.

DO NOT allow the pump to run dry!

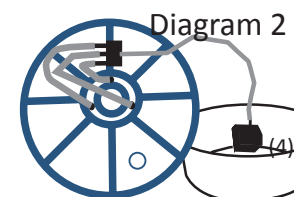
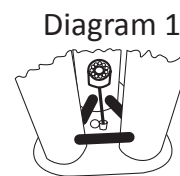
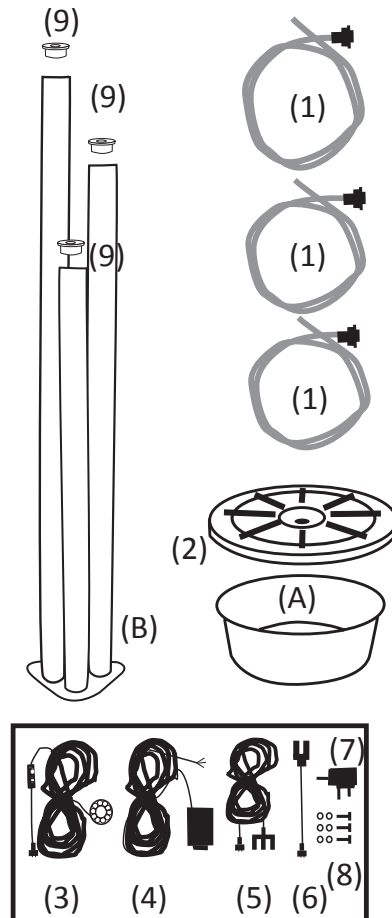
Step 8 - For fire version only

Place oil container (9) to the top of the feature.

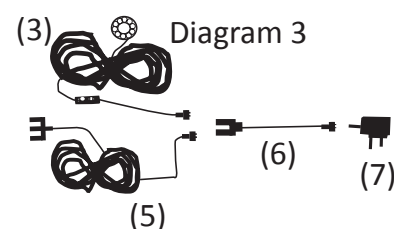
To fire-up simply pour some fire gel in the central inner container and light with a naked flame. The gel burns a smokeless, odourless and non-toxic flame suitable for indoor or outdoor use. The gel is made from ethanol with gelling agents, is environmentally friendly and produces no smoke when lit. It will burn a golden flame which is wind resistant and of consistent height.

Step 9 - For fire version only

To extinguish the flames, place the lid (supplied with the feature) over the inner container - the fire will be starved of oxygen and will go out within a couple of seconds.



Rear view of lid



More information available on how to maintain your feature can be found on the back page.

*Plugs not always supplied with feature

Column Water Features

Step 1

Place feature on a level surface at the desired location.
Place pump into reservoir and connect ribbed tubing to pump. Which can be found at the bottom of the feature.

Step 2

Place rim onto reservoir and place feature into the middle of the reservoir.

Step 3

Place the grid on top of the rim.

Step 4 - For fire version only

Place oil container to the top of the feature.

To fire-up simply pour some fire gel in the central inner container and light with a naked flame. The gel burns a smokeless, odourless and non-toxic flame suitable for indoor or outdoor use. The gel is made from ethanol with gelling agents, is environmentally friendly and produces no smoke when lit. It will burn a golden flame which is wind resistant and of consistent height.

Step 5

Fill reservoir with clean water and ensure pump is fully submerged.

Step 6

Connect the power cable, wait until trapped air has worked its way out of the pump.

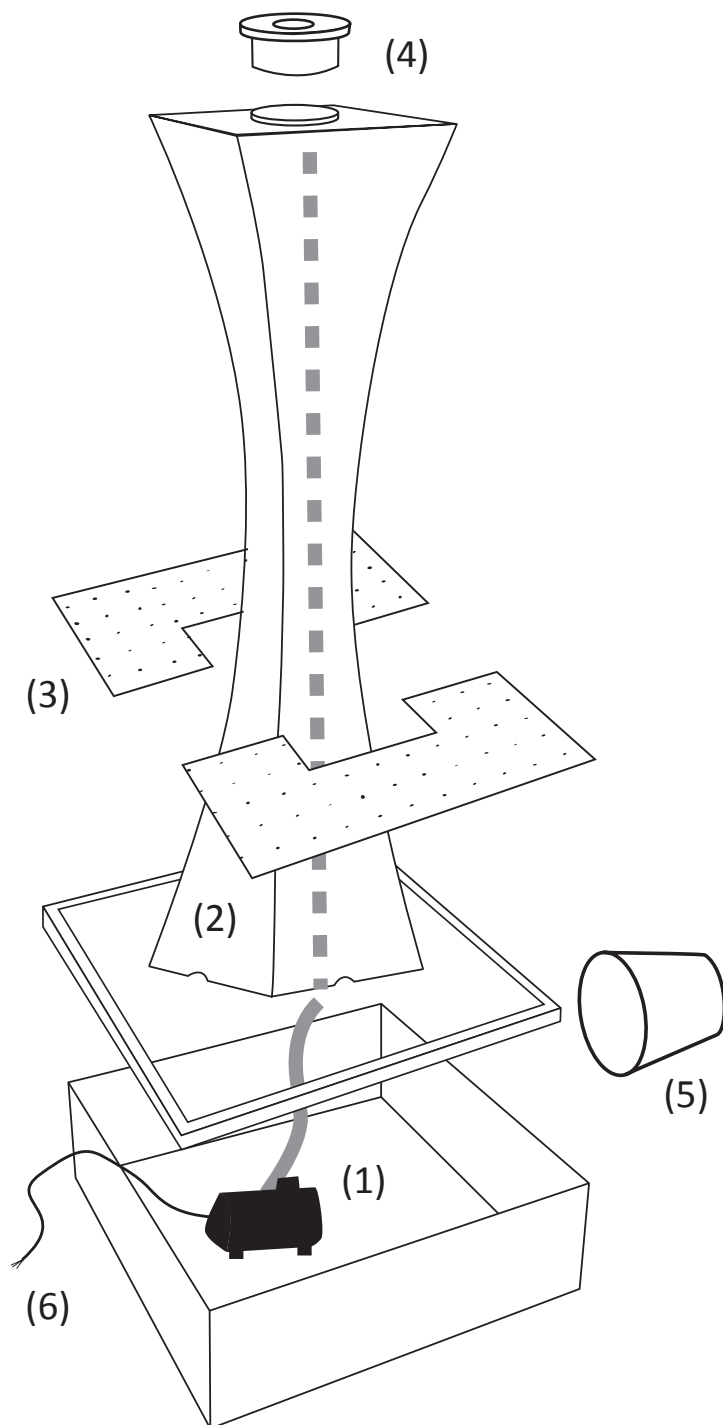


As this pump is water cooled, allowing it to run dry may result in the pump burning out, invalidating the warranty.

DO NOT allow the pump to run dry!

Step 7 - For fire version only

To extinguish the flames, place the lid (supplied with the feature) over the inner container - the fire will be starved of oxygen and will go out within a couple of seconds.



More information available on how to maintain your feature can be found on the back page.

*Plugs not always supplied with feature

Congratulations on your purchase!

We sincerely hope you are satisfied with your new product.
Here are a few points to help you prolong the life of your feature.

Ambienté recommends



Fountain Safe should be used all year round. This will help to reduce maintenance and to maintain the lustre of your feature by slowing or stopping the build up of algae etc.

Frost Free should be added to the feature as the colder months draw in. It lowers the freezing point of water helping to prevent frost damage. If water freezes in a fountain, it will expand and crack the feature.

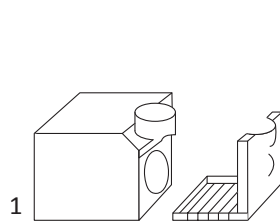
All water features should be drained, dried and covered before severe frost or snow.

For pumps to function properly, they need to be completely free of air bubbles. Whilst submerged, a gentle shake or tap should be sufficient to dislodge any such bubbles.

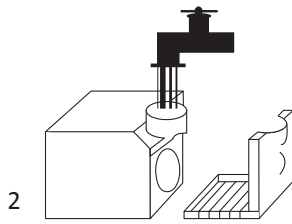
If excessive noise is coming from the pump this could be due to either trapped air or the pump rattling against the sides of the reservoir. Please ensure the pump is "suckered" to the base of the reservoir by the rubber feet.



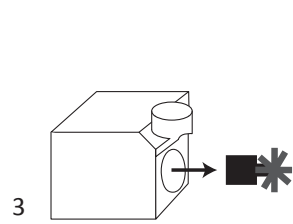
For regular pump maintenance



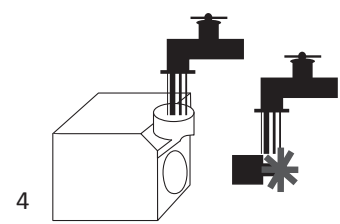
1 Pull off filter cover as shown



2 Remove filter (if present) and rinse in water



3 Open impeller cover, then impeller can easily be removed



4 Rinse all parts carefully and thoroughly

Electrical Installation Safety Advice



We don't always supply a plug with a water feature, it depends on the product, style of feature, pump supplied and likely location that the product maybe installed. All of our products are designed for ease of installation there are however, a specific set of rules set out by the building regulations which must be adhered too: "Building Regulations – Part P" this is a government directive which states that any NEW PERMANENT household or garden electrical supply must be installed by a competent Part P Certified electrician.

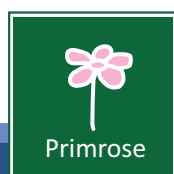
Some of our products wont require a permanent installation, its worth considering a number of things in order to ensure you safely install your feature or seek the help and advice of a qualified electrician.

- Where are you going to place your product?
- Is there available power already in the garden? – outdoor sockets for example.
- Will it be permanently in this location?
- Do you have existing power in the garden near the location?

If in any doubt seek the advice of a Part P Certified electrician.

Full details of Part P available in the link below:

https://assets.publishing.service.gov.uk/government/uploads/system/uploads/attachment_data/file/441872/BR_PDF_AD_P_2013.pdf



For more information:
Web: www.primrose.co.uk
Email: info@primrose.co.uk
Tel: 0118 903 5210
44 Portman Road
Reading
RG30 1EA



Check out our website as many of our features have a training video on the pages