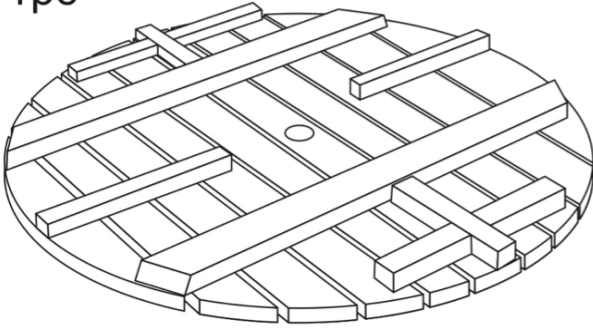


## 8 Seater Round Bench Assembly Instruction

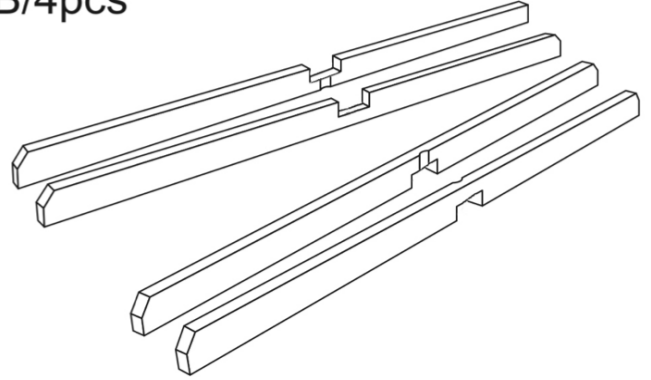
Part Number: W485

### ■ Parts list

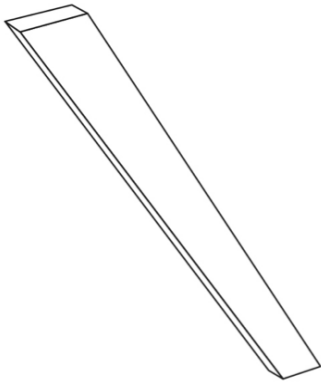
A/1pc



B/4pcs



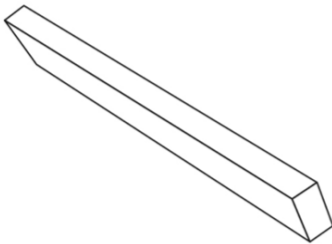
C/4pcs



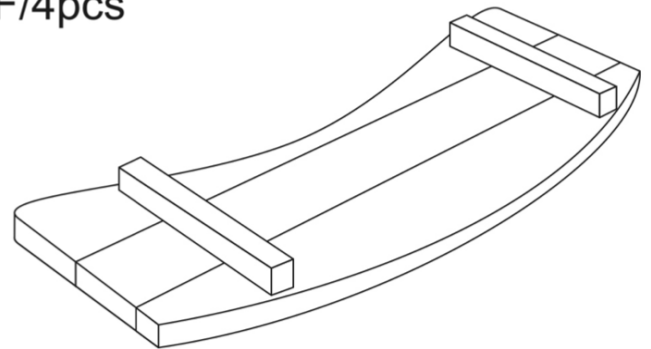
D/8pcs



E/4pcs



F/4pcs



G/16pcs



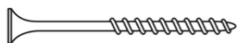
L/8pcs



H/24pcs



I/8pcs



J/4pcs

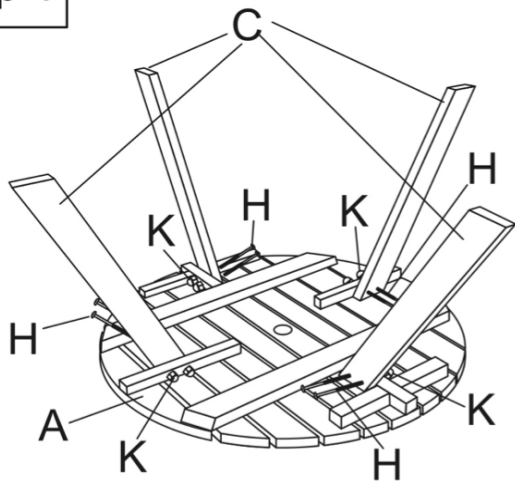


K/40pcs

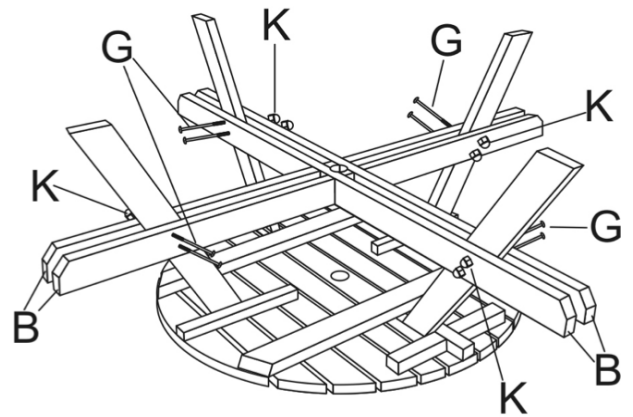


■How to assemble

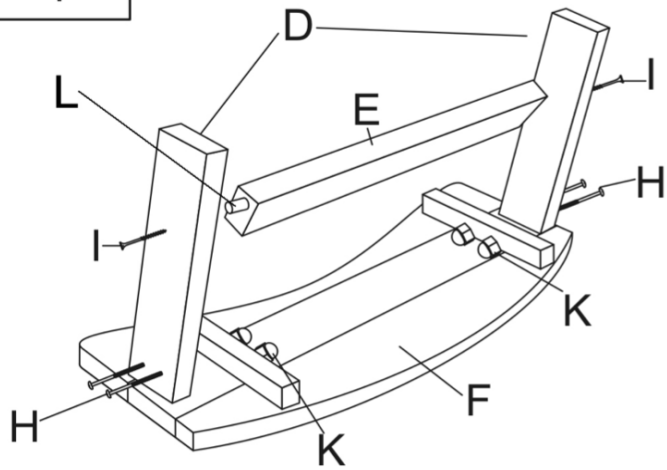
Step 1



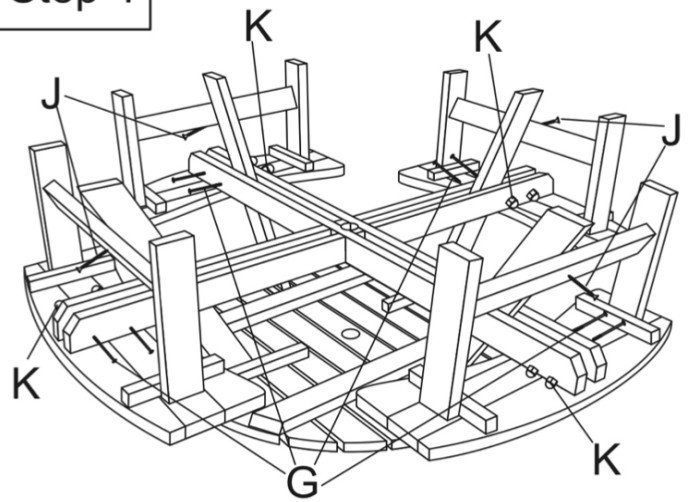
Step 2



Step 3



Step 4



Step 5

