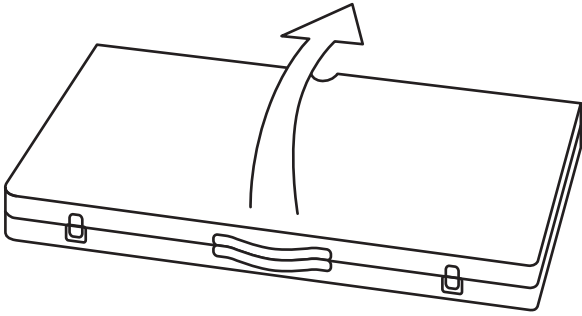
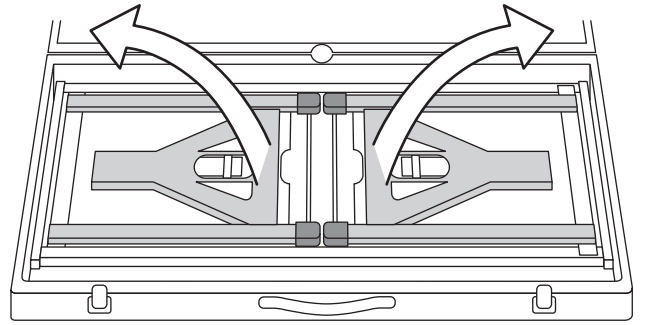


SET UP INSTRUCTION

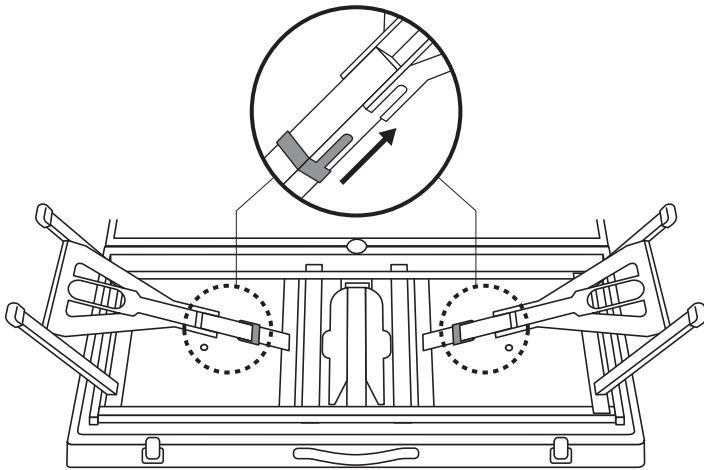
- 1** Unlock the securing tabs and open it.



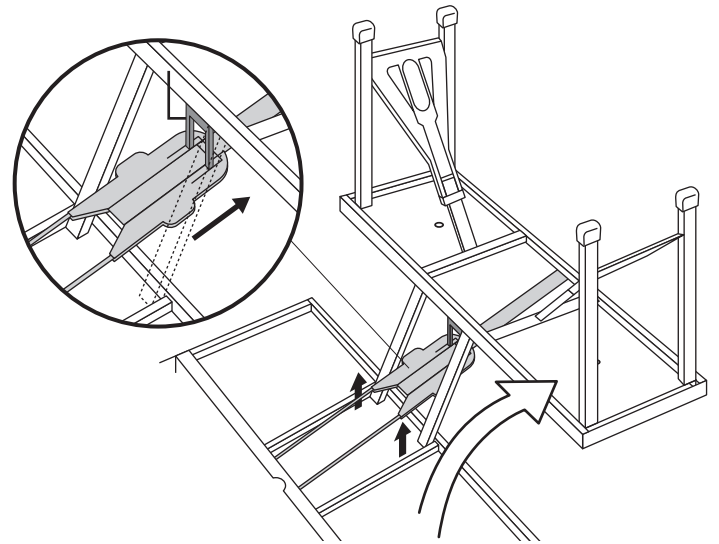
- 2** Pull out the individual stool legs.



- 3** Lock the Y-shaped support struts into place.



- 4** Lift the unit stool out and lock the safety clip into place.



- 5** Turn the table into the upright position ensuring all things are place.

