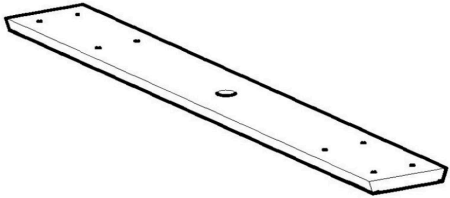


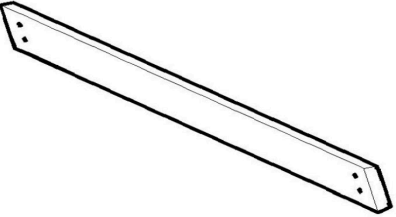
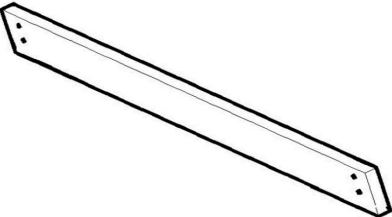
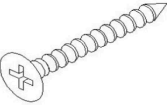
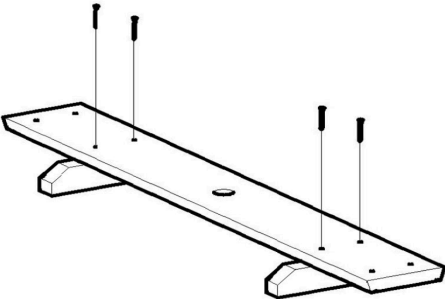
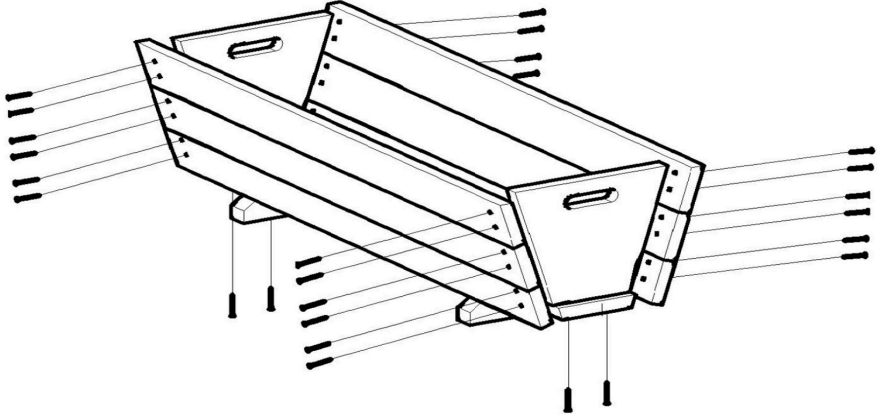




Garden Wooden Planter Assembly Instructions

Part Number: W521-1/W521-2

 <p>A: 1pc</p>	 <p>B: 2pcs</p>	 <p>C: 2pcs</p>
 <p>D: 2pcs</p>	 <p>E: 4pcs</p>	 <p>F: 3.5*50 = 32pcs</p>
<p>Step 1</p>  <p>A: 1pc C: 2pcs F: 3.5*50 = 4pcs</p>	<p>Step 2</p>  <p>B: 2pcs D: 2pcs E: 4pcs F: 3.5*50 = 28pcs</p>	