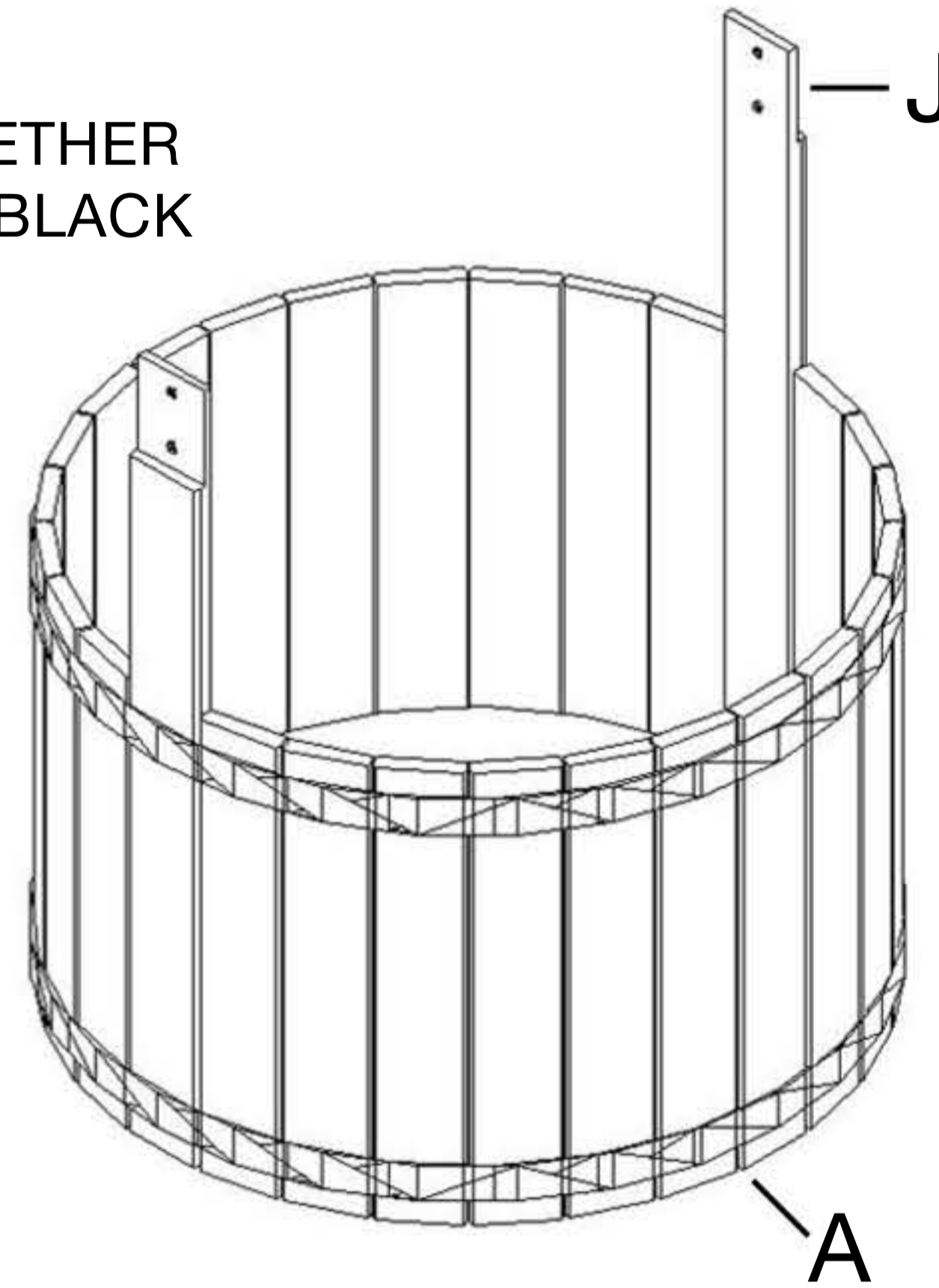


STEP 1

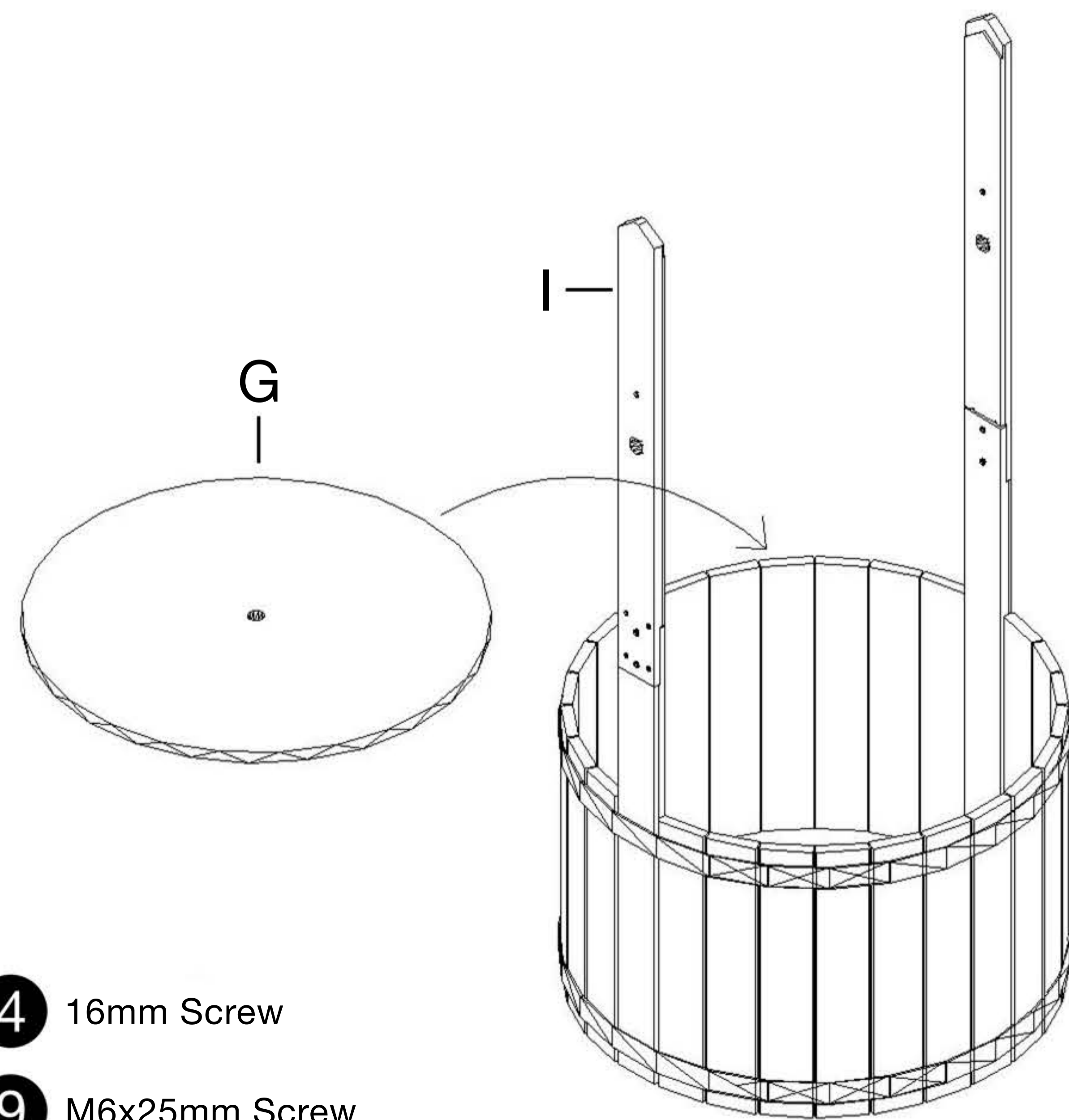
CONNECT THE TWO PARTS 'A' TOGETHER USING THE TWO PARTS 'J'. USE 16 BLACK 10mm SCREWS



3 BLACK 10mm Screw

STEP 2

CONNECT PARTS 'I' TO PARTS 'J' USING 8 X 16mm SCREWS AND 4 X M6x25mm SCREWS. INSERT PART 'G' TO FORM THE BASE

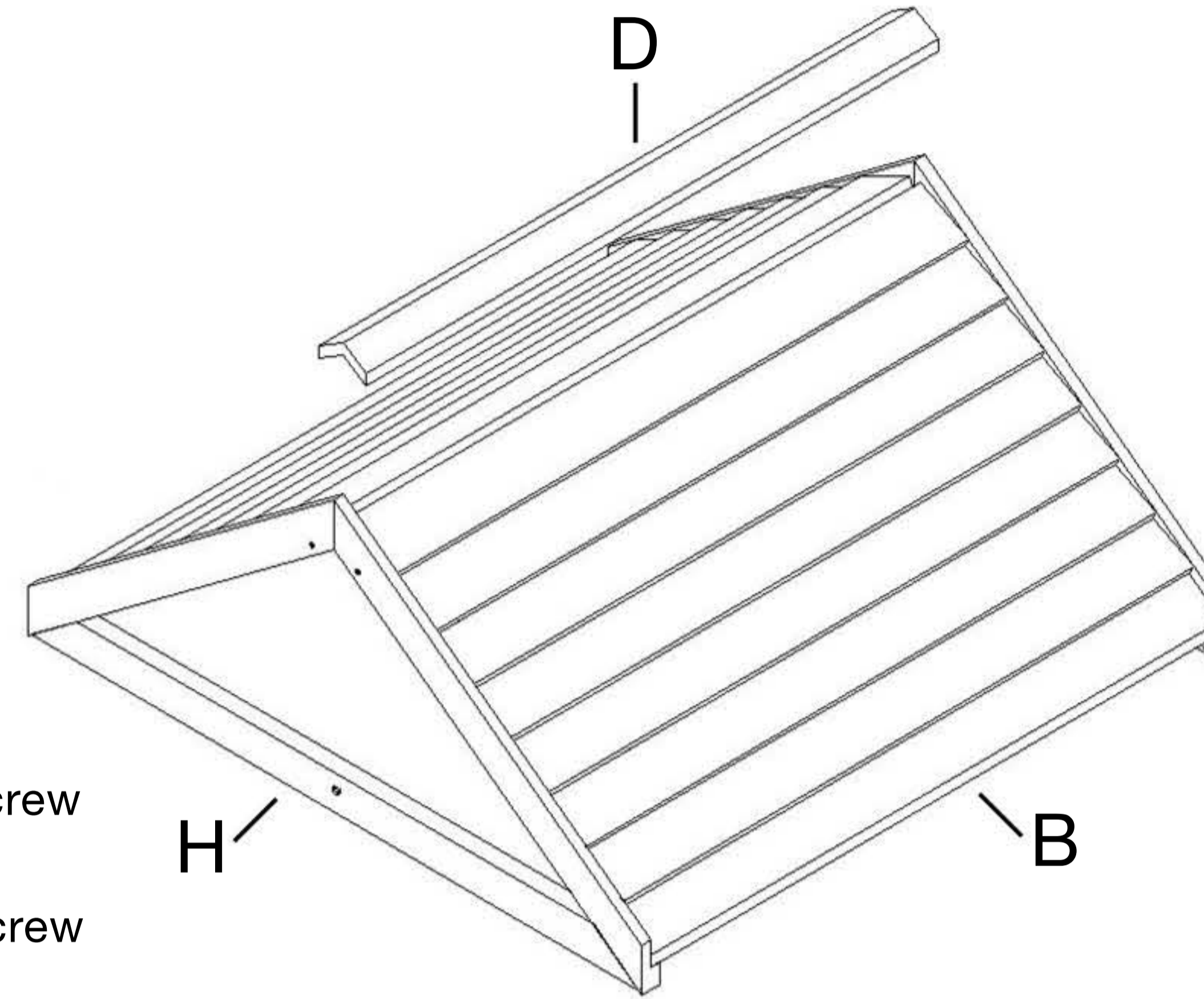


4 16mm Screw

9 M6x25mm Screw

STEP 3

NOW IT'S TIME TO BUILD THE ROOF, CONNECT THE TWO PARTS 'B' TOGETHER USING THE TWO PARTS 'H' USING 4 X 40mm SCREWS. SECURE PART 'D' TO THE TOP USING 4 X 16mm SCREWS

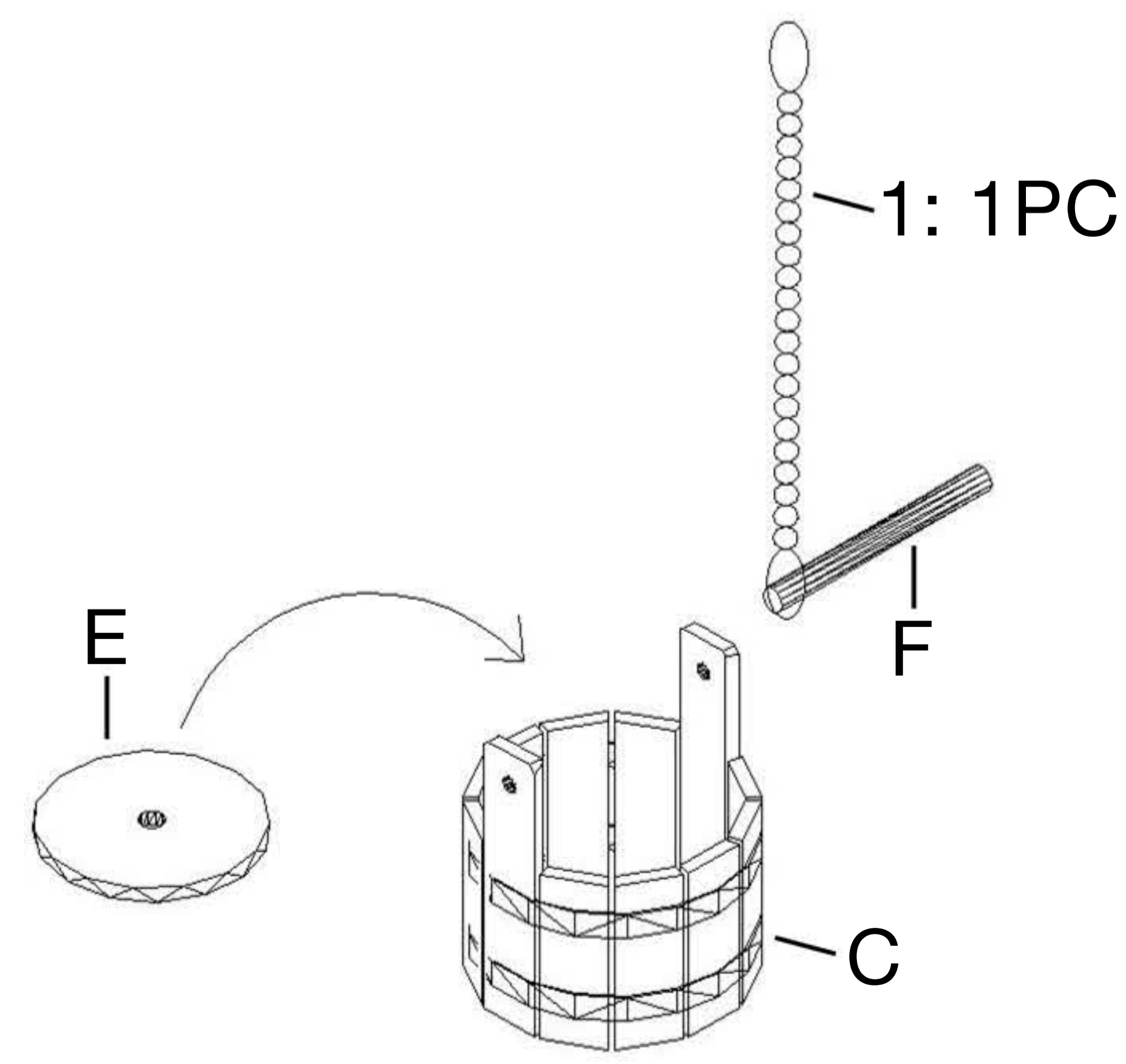


4 16mm Screw

7 40mm Screw

STEP 4

WRAP PART 'C' INTO A CIRCLE AND SECURE WITH 2 X BLACK 10mm SCREWS. INSERT BOTTOM BASE PART 'E' AND ATTACH HANGING CHAIN (PART 1 AND 'F'). USE 2 X 25mm SCREWS FOR HOLES IN PART 'F'

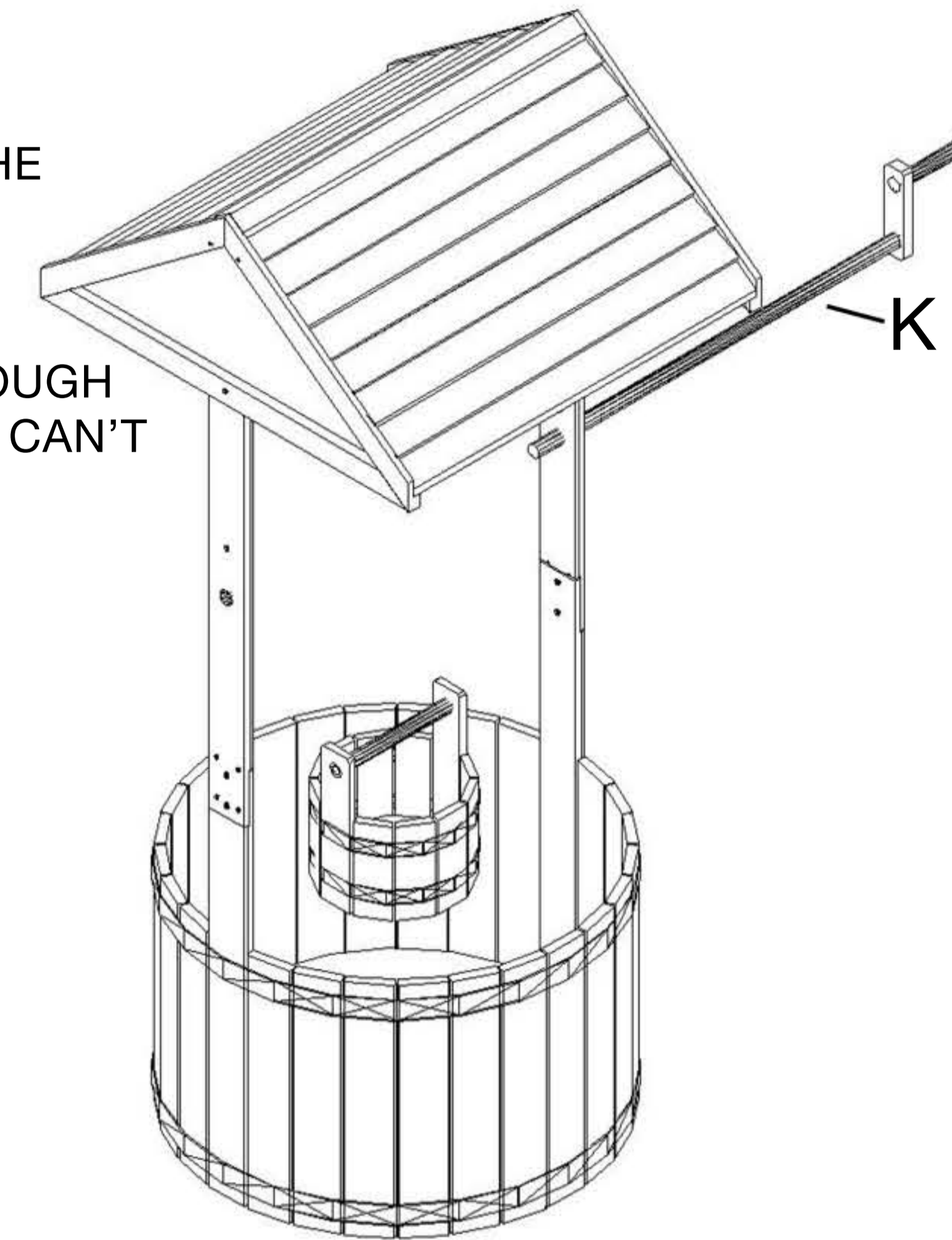


3 BLACK 10mm Screw

5 25mm Screw

STEP 5

CONNECT THE ROOF TO THE STRUCTURE USING 4 X 30mm AND 2 X M6x40MM SCREWS. INSERT PART 'K' ENSURING THE SMALL WELL HAS BEEN CONNECTED AND PUSHED THROUGH THE HOLES ON PART 'I'. PUSH THE PINS THROUGH THE HOLES ON PART 'K' SO IT CAN'T BE REMOVED



2 PINS X 2

6 30mm Screw

8 M6x40mm Screw

STEP 6

FINALLY INSERT YOUR LINERS READY FOR PLANTING (PARTS 'M' AND 'L')

