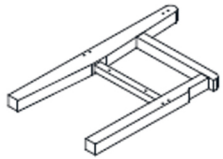


Instruction for 4FT WOODEN BENCH

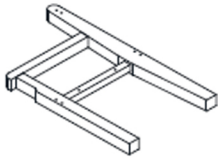
Part Number: W593

1



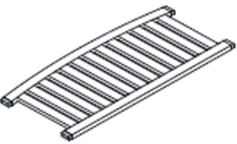
1pc

2



1pc

3



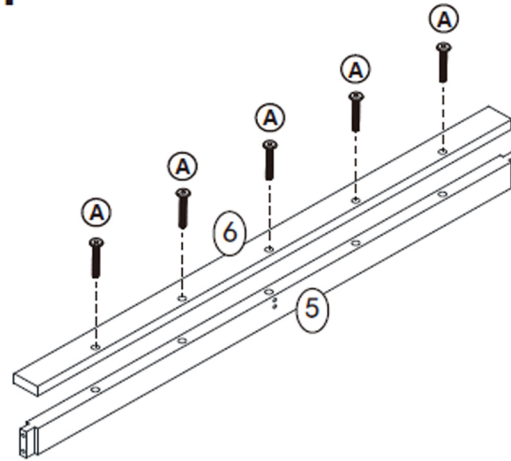
1pc

4



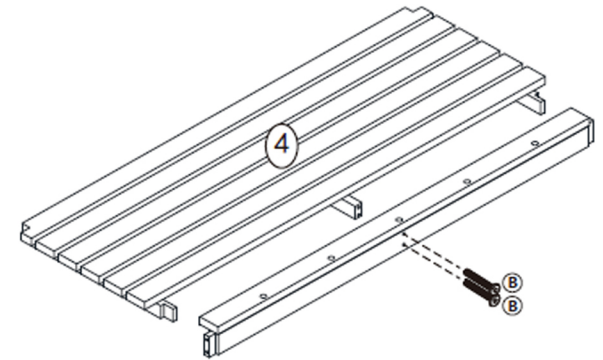
1pc

step 1



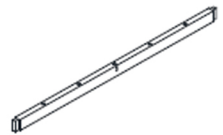
A:3.5x50=5pcs

step 2



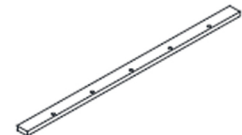
B:3.5x50=2pcs

5



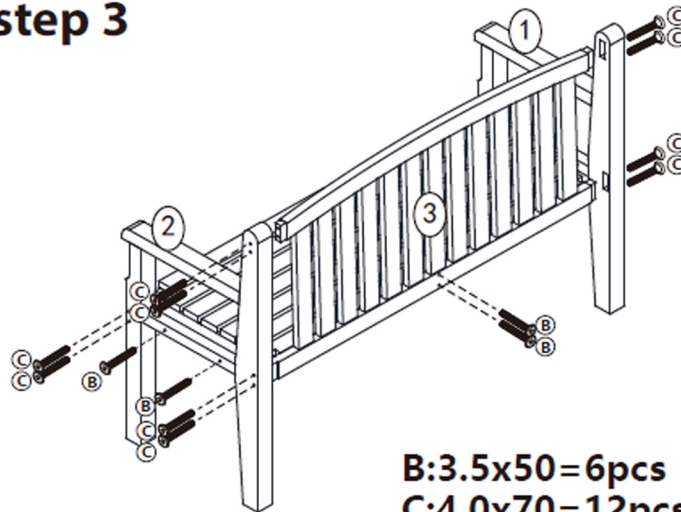
1pc

6



1pc

step 3



B:3.5x50=6pcs
C:4.0x70=12pcs

step 4



A:3.5x50=5pcs



B:3.5x50=8pcs



C:4.0x70=12pcs

