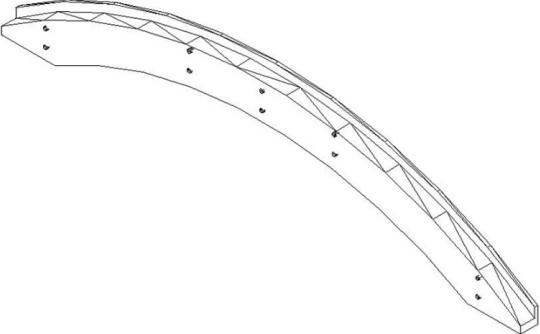
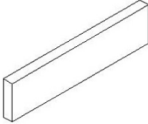



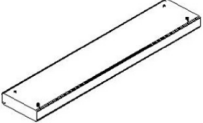




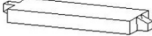




Instruction for Wooden Garden Bridge

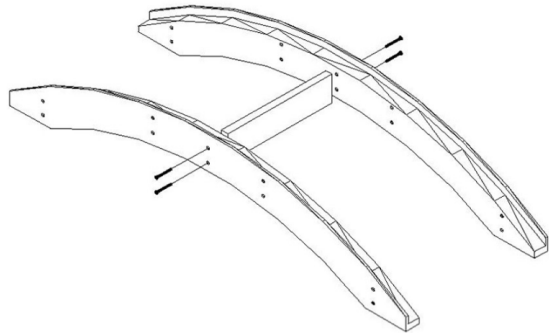
Part Number: W709

 A: 2PCS	 B: 1PC	 D: 4PCS	 E: 2PCS	 F: 2PCS
	 C: 15PCS			
 G: 4PCS	 I: 3.5*35 = 84PCS	 J: 3.5*50 = 4PCS	 K: M6*100 = 16PCS	
 H: 8PCS				

Instruction for Wooden Garden Bridge

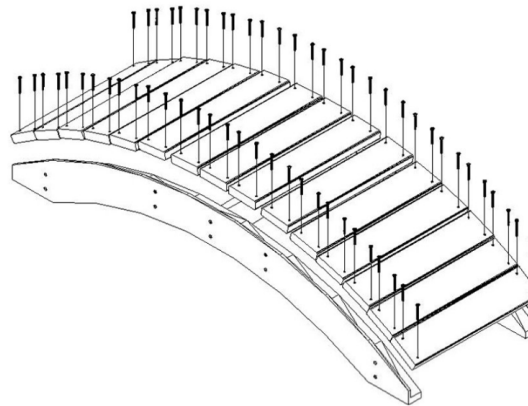
Part Number: W709

Step 1



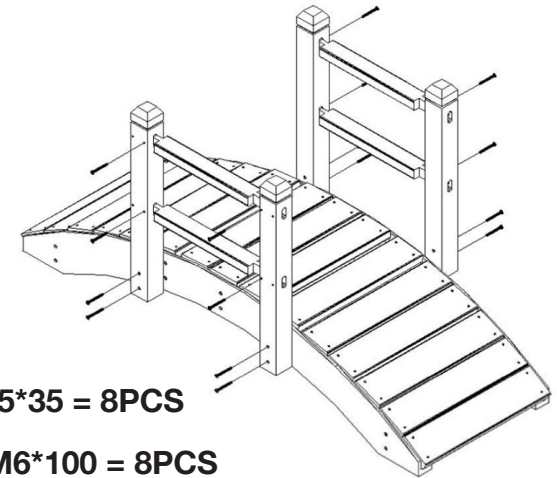
J: 3.5*50 = 4PCS

Step 2



I: 3.5*35 = 60PCS

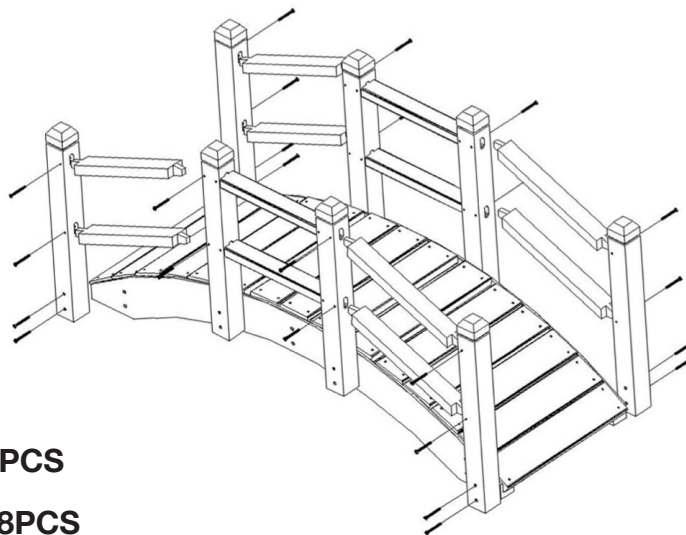
Step 3



I: 3.5*35 = 8PCS

K: M6*100 = 8PCS

Step 4



I: 3.5*35 = 16PCS

K: M6*100 = 8PCS

