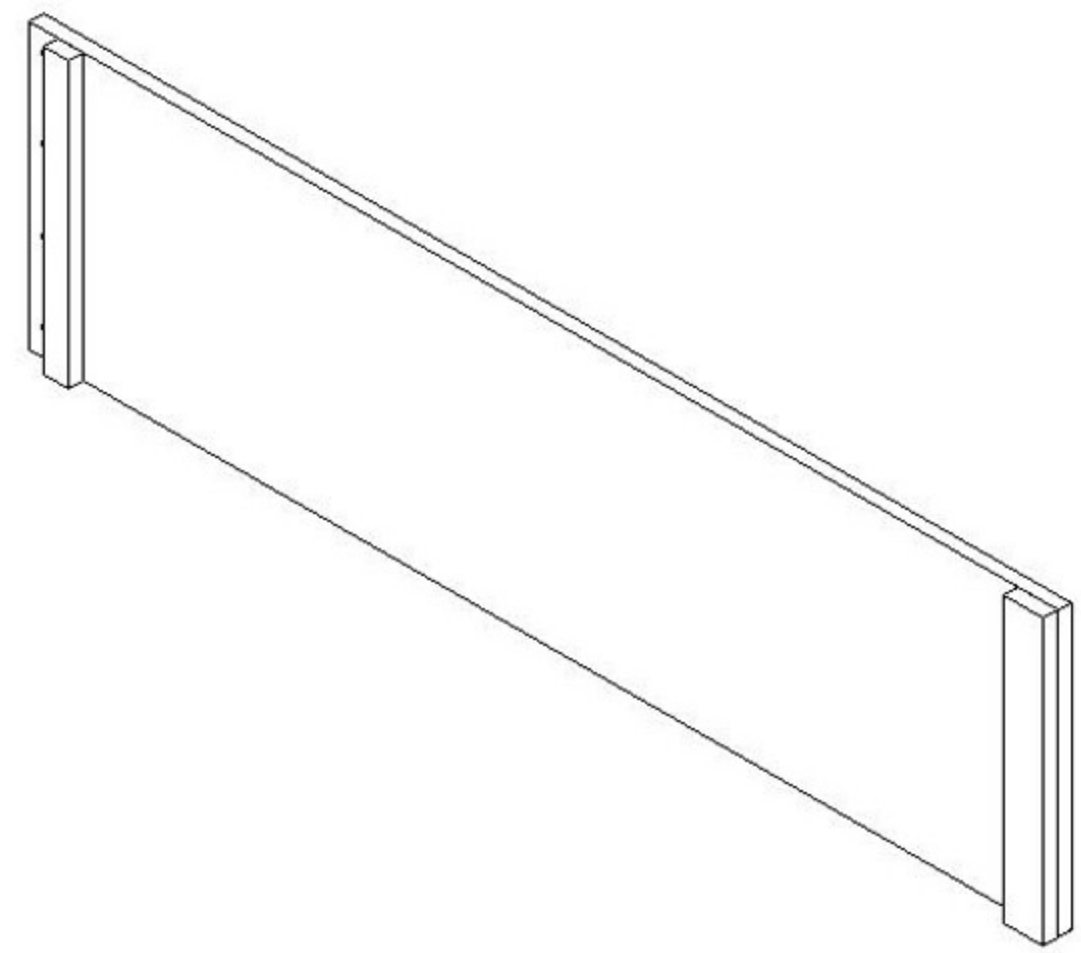
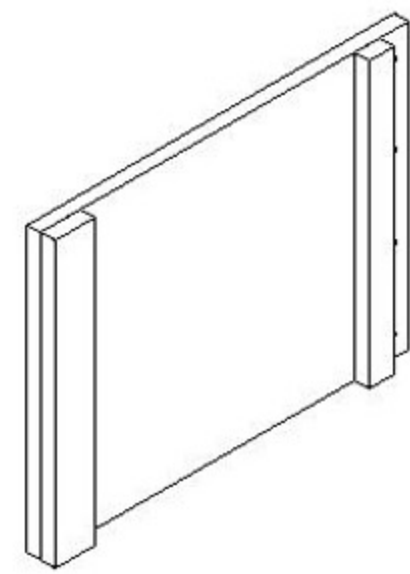


## Garden Wooden Stained Trough Planter Assembly Instruction

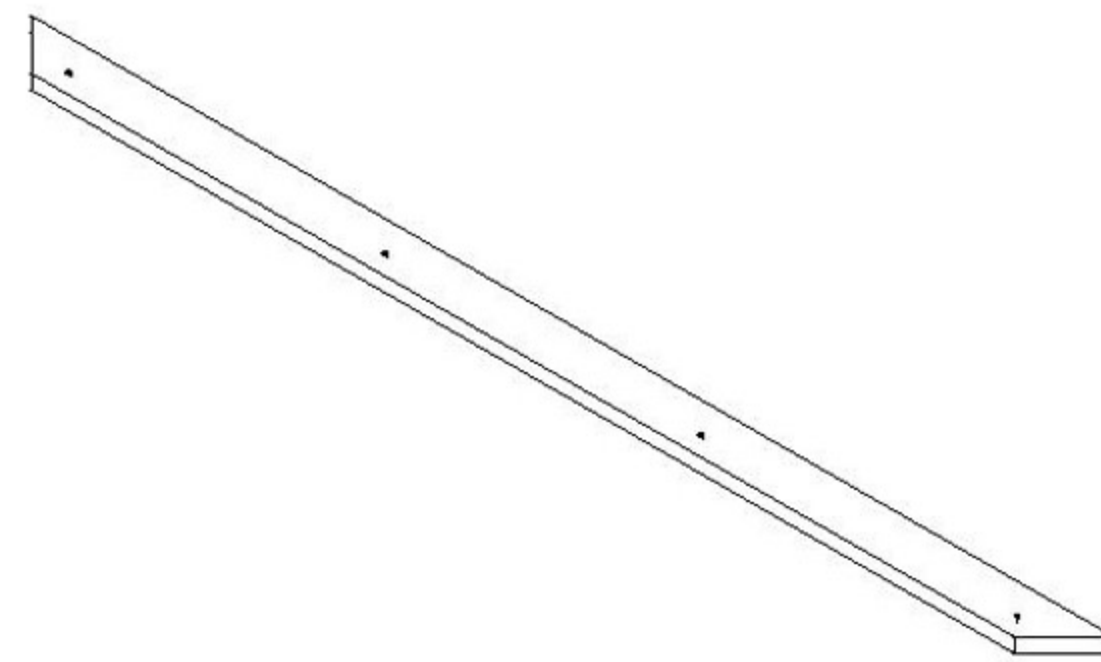
Part No.: W713



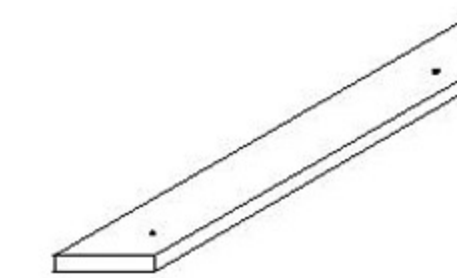
A: 2pcs



B: 2pcs



C: 2pcs



D: 2pcs

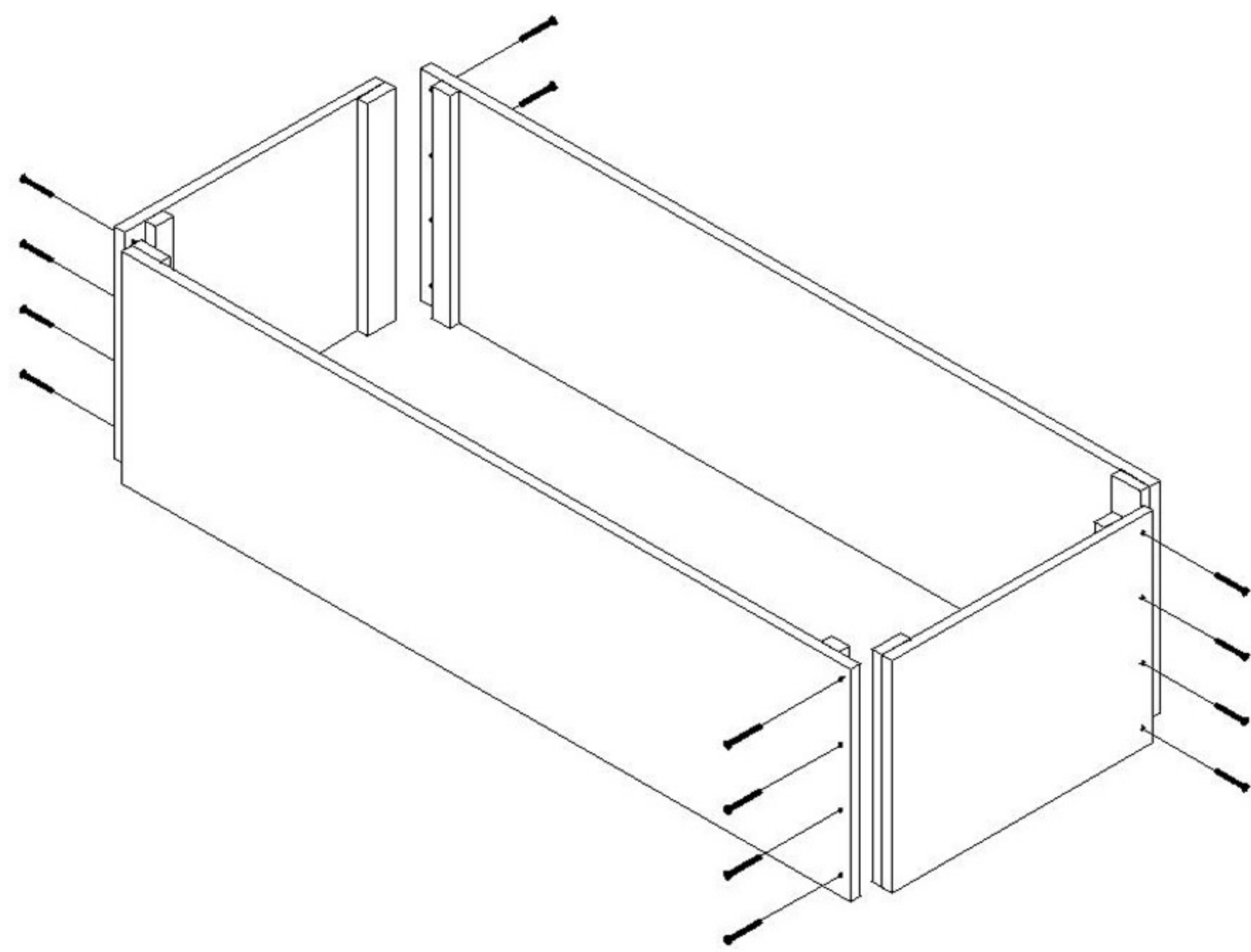


E:  $3 \times 30 = 32$  pcs



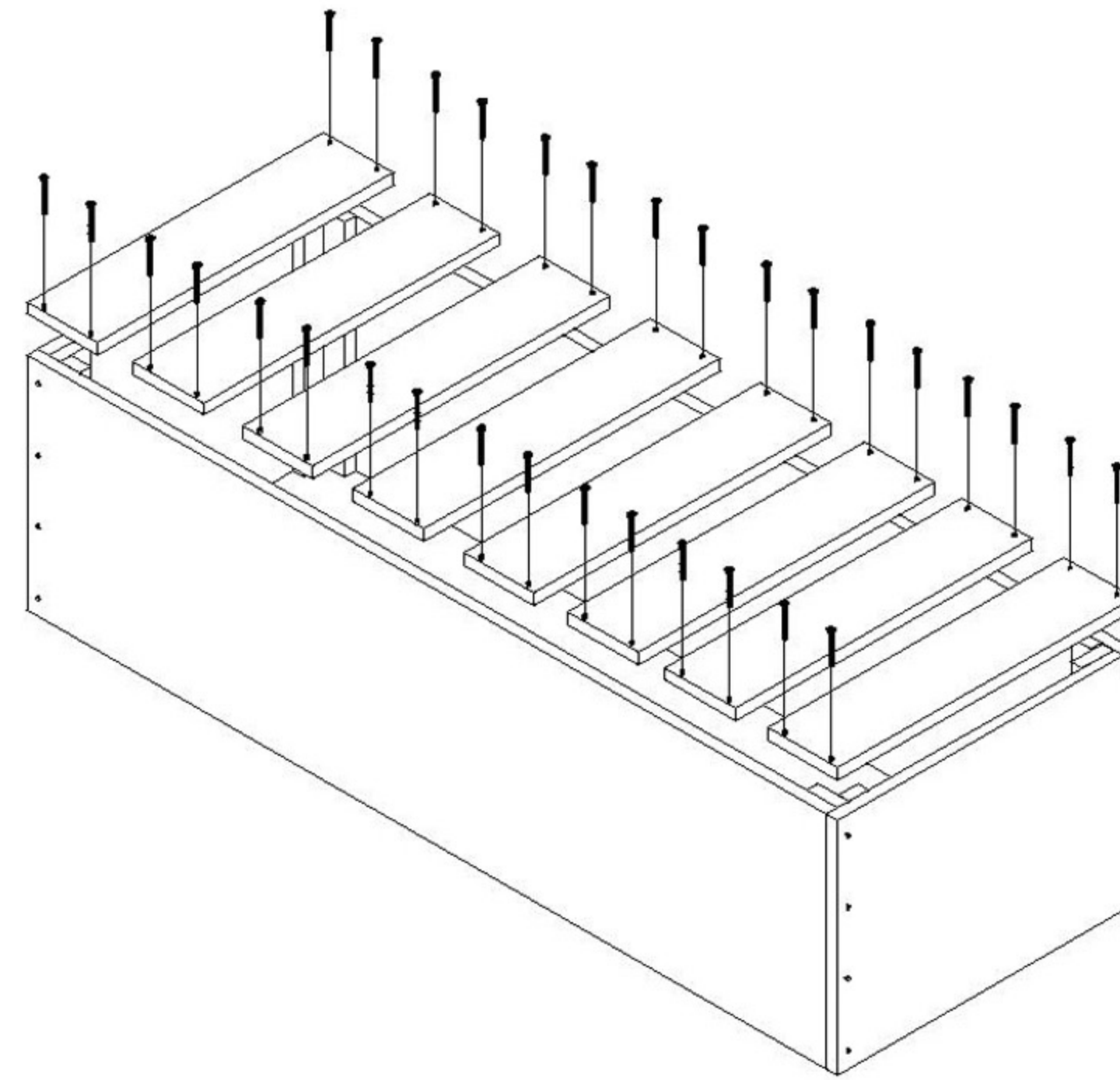
F:  $3 \times 35 = 28$  pcs

### Step 1



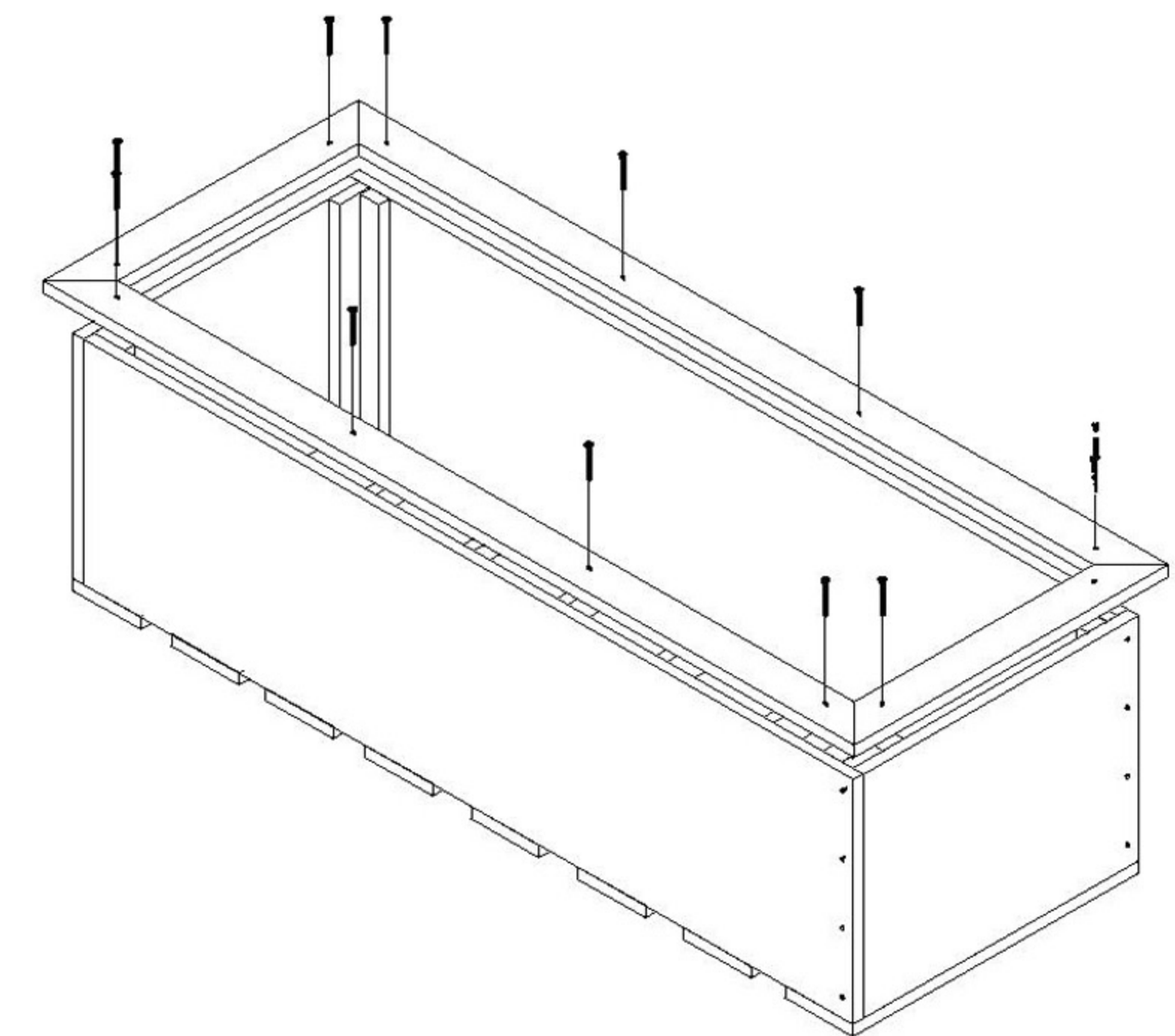
F:  $3 \times 35 = 16$  pcs

### Step 2



E:  $3 \times 30 = 32$  pcs

### Step 3



F:  $3 \times 35 = 12$  pcs