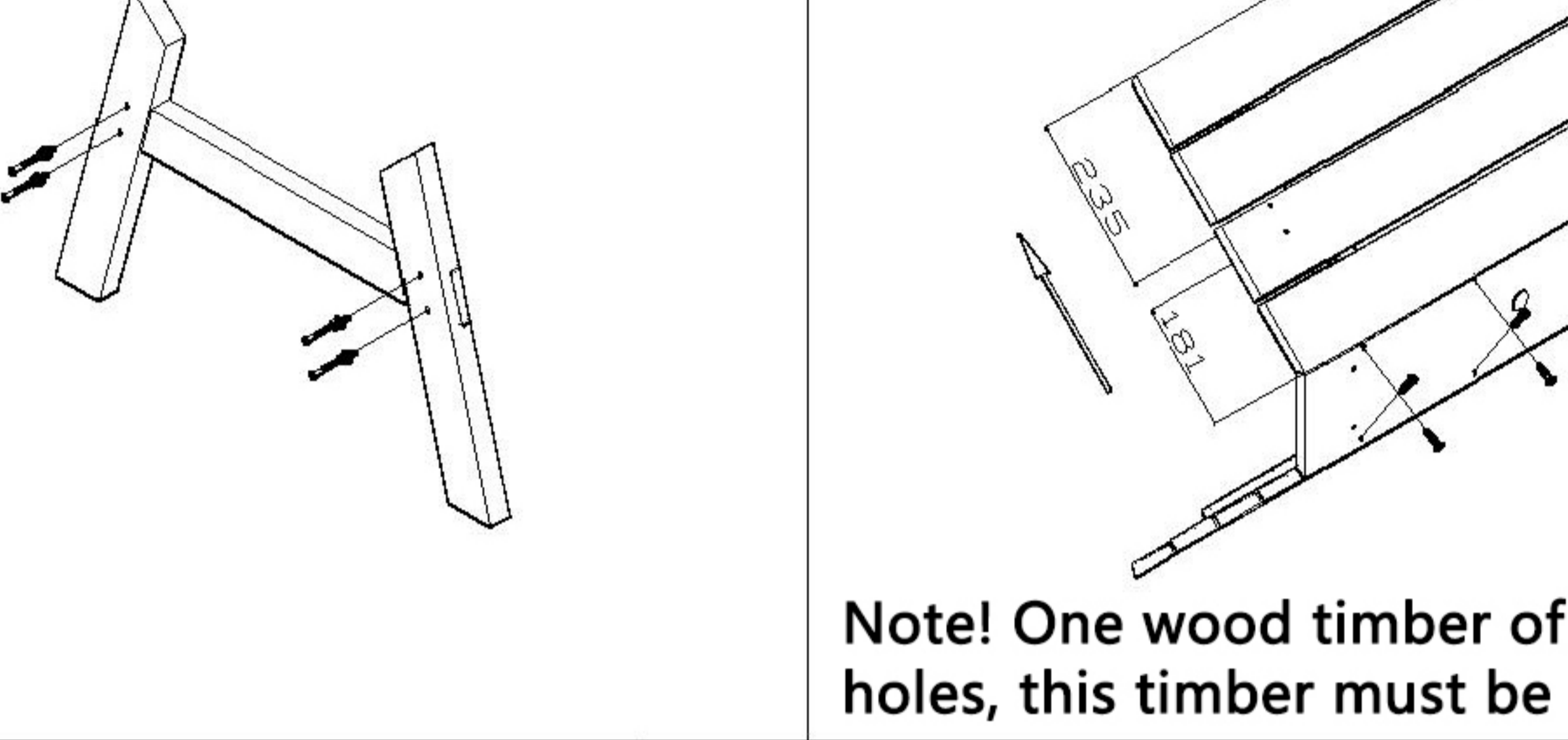
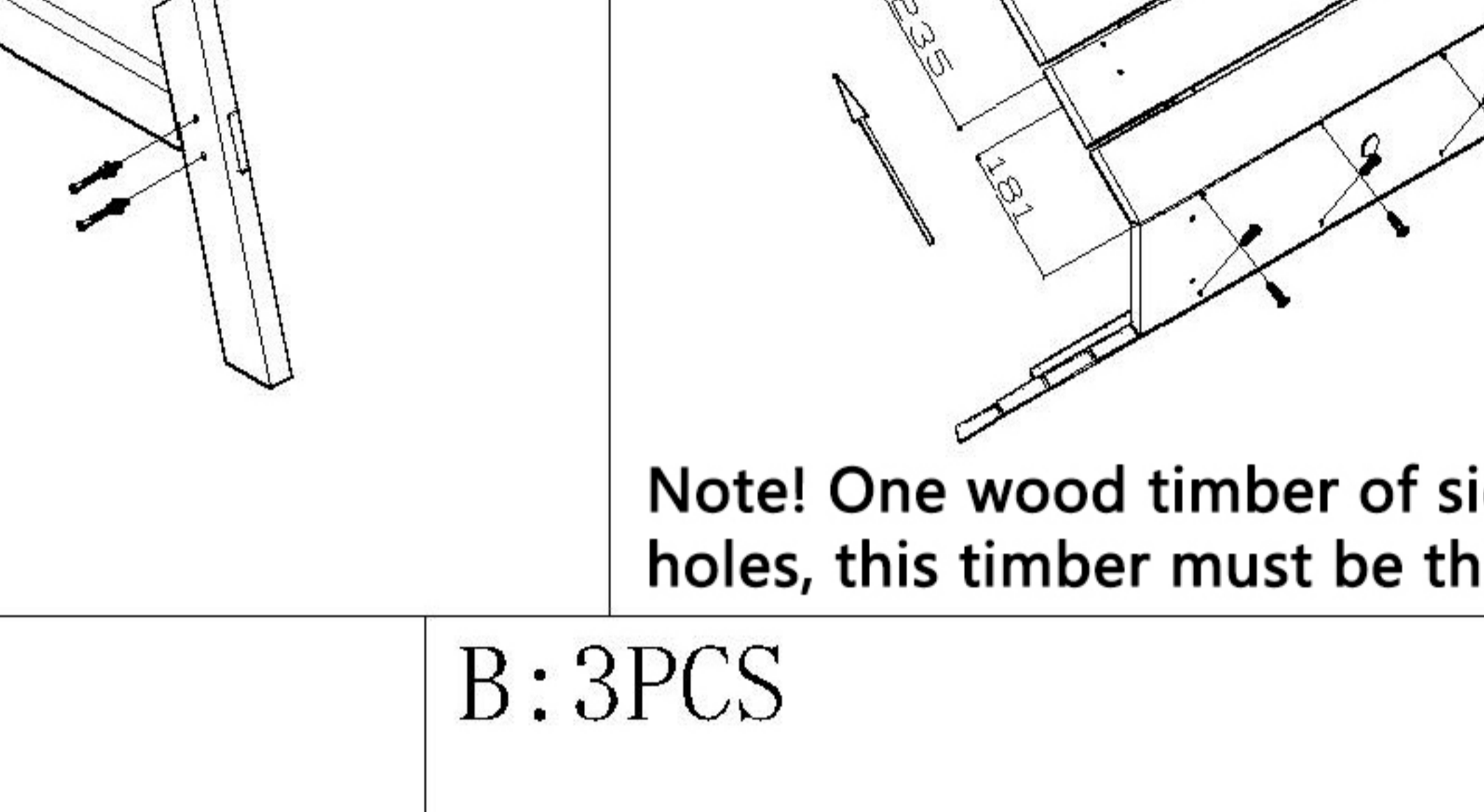
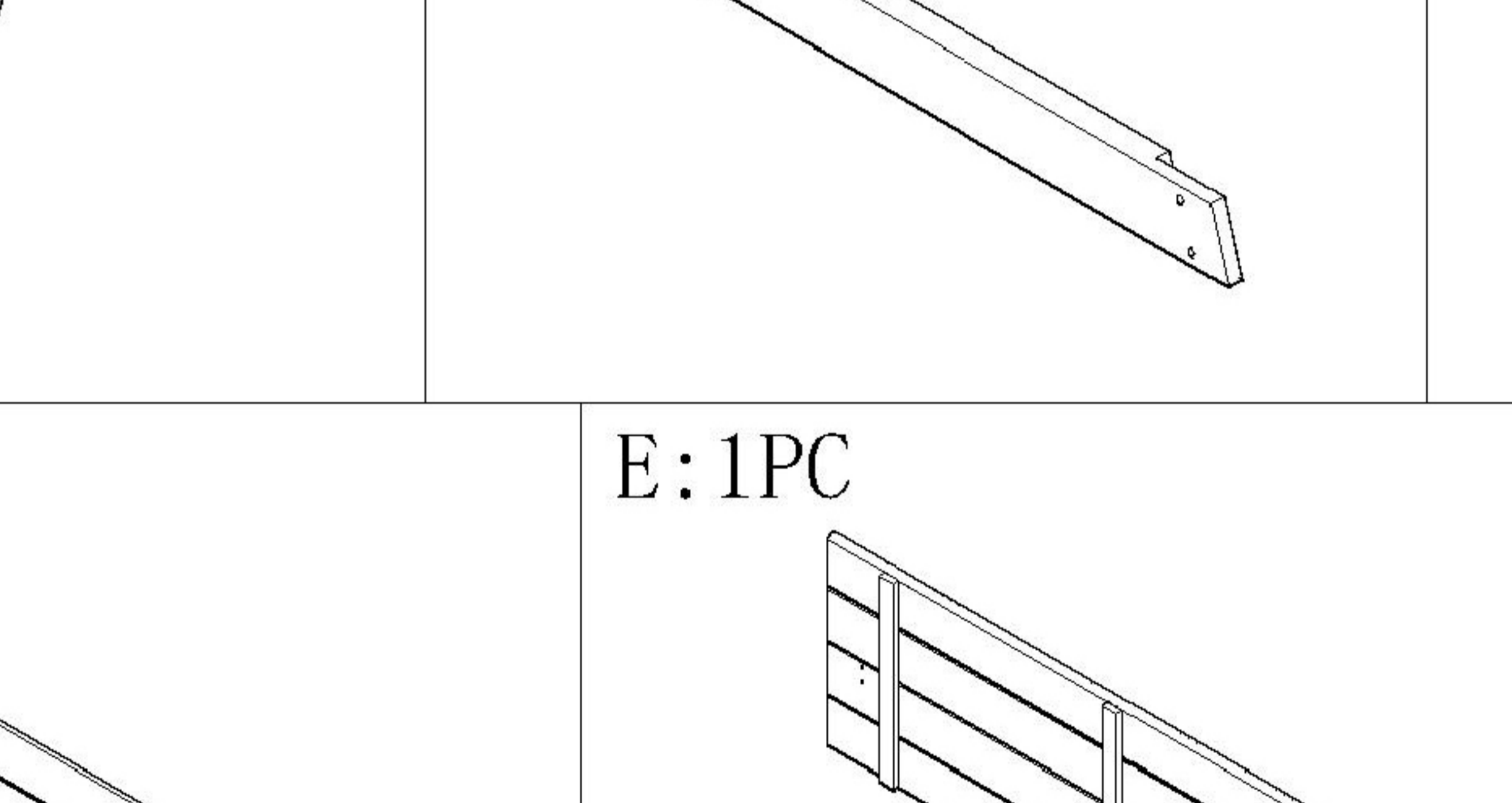
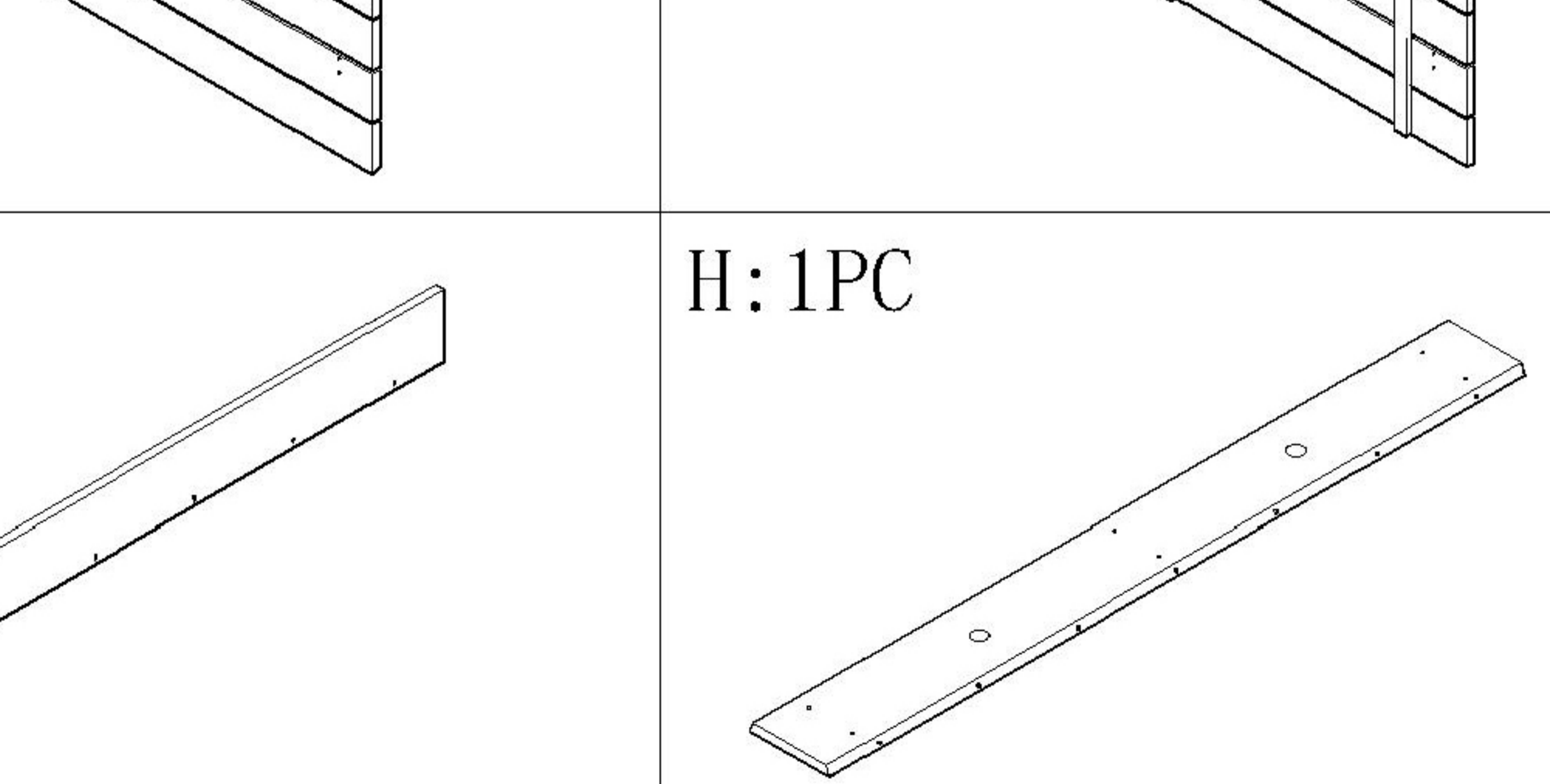
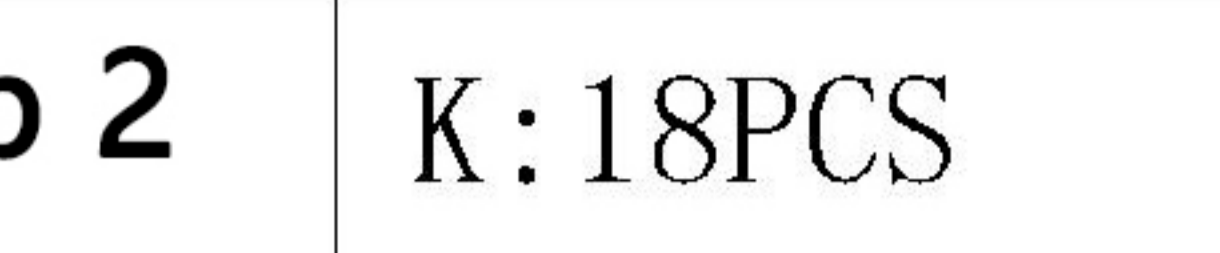
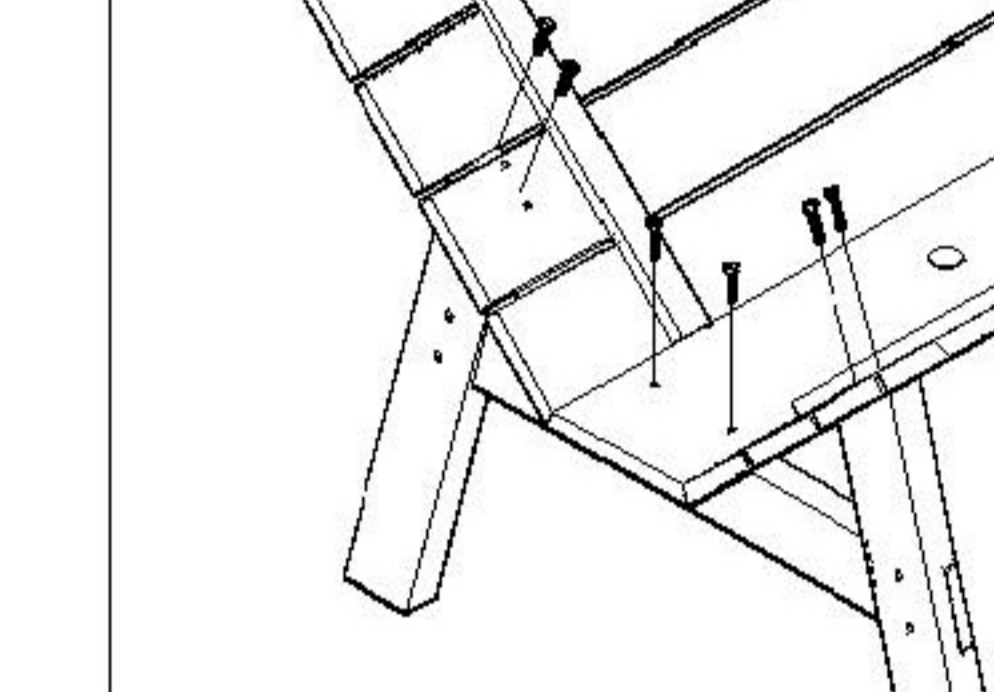


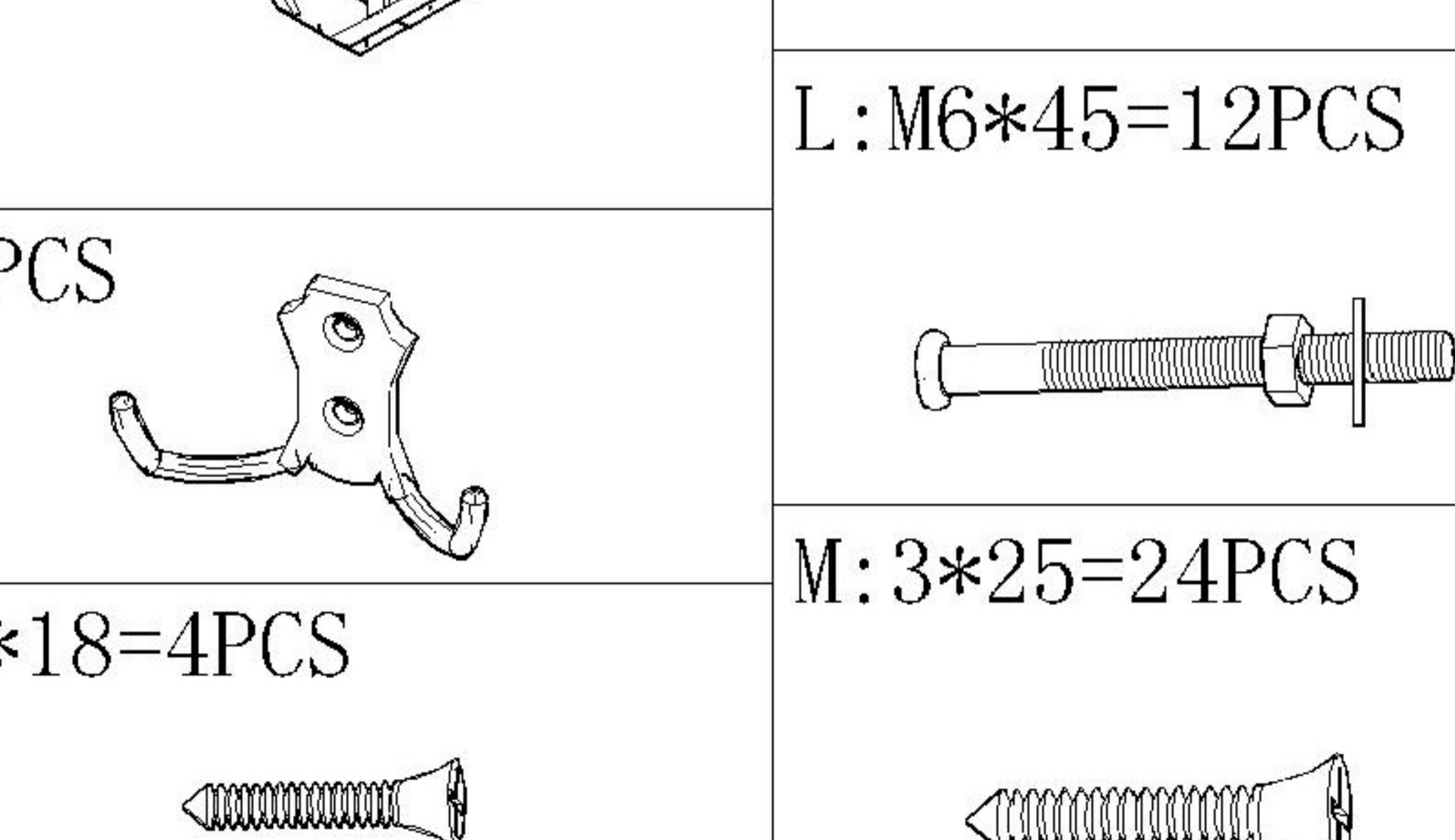
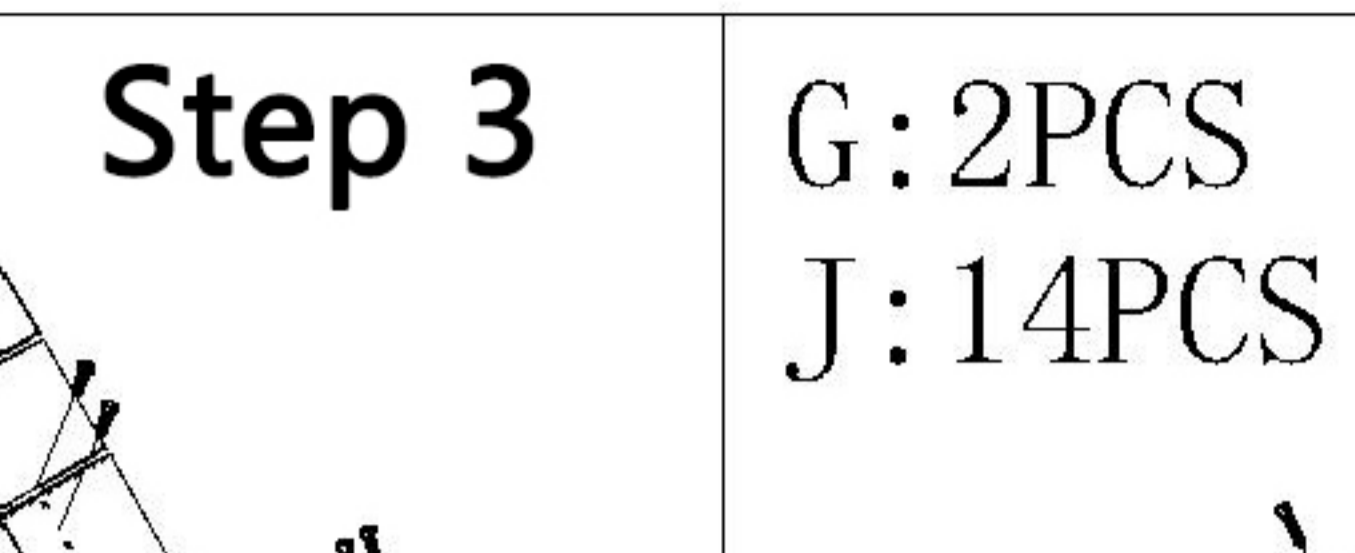
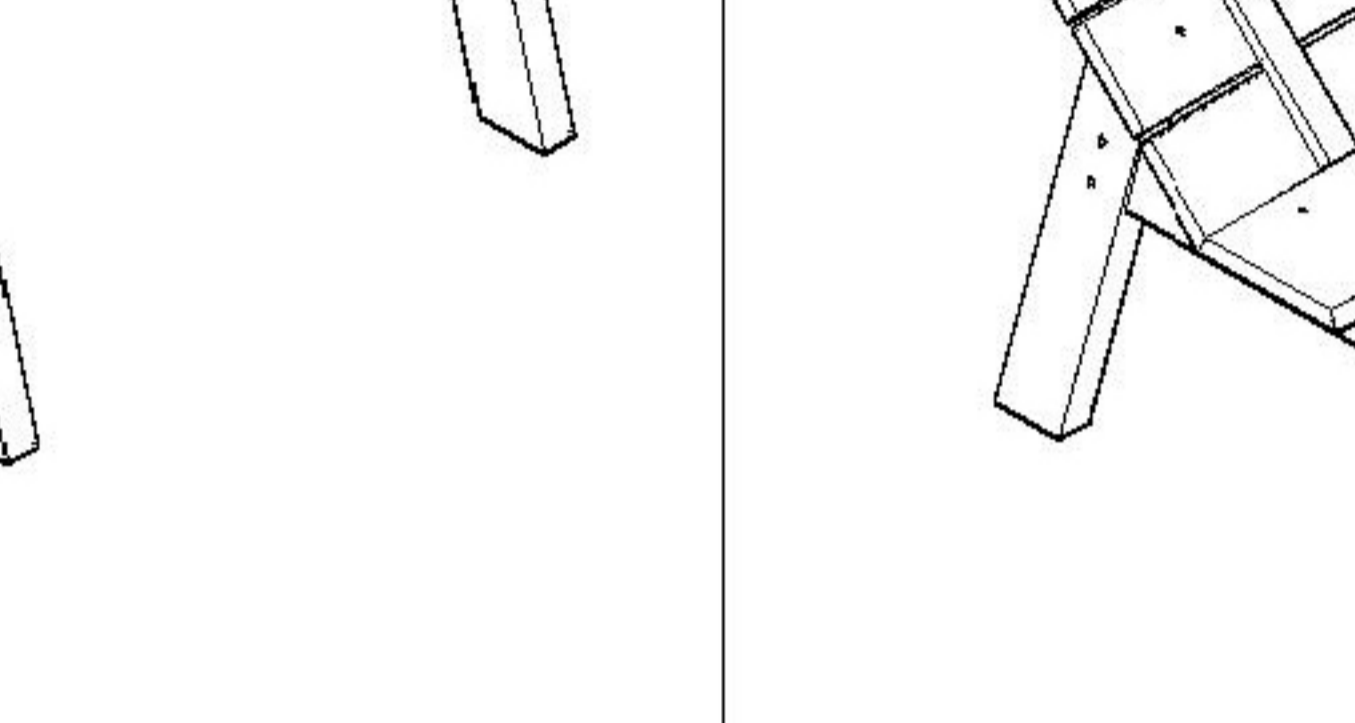
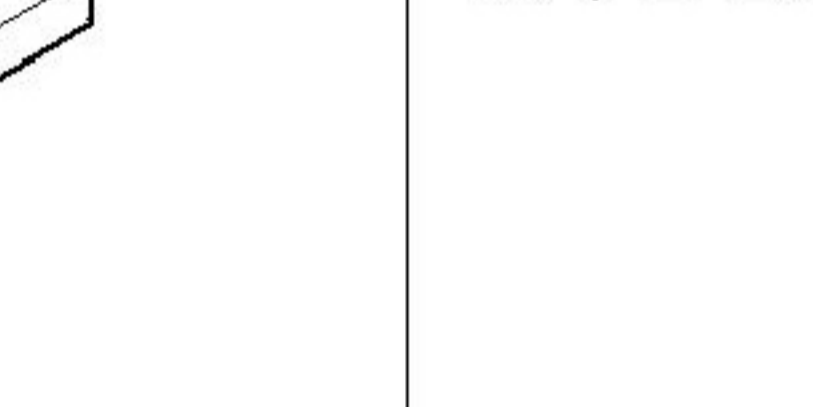
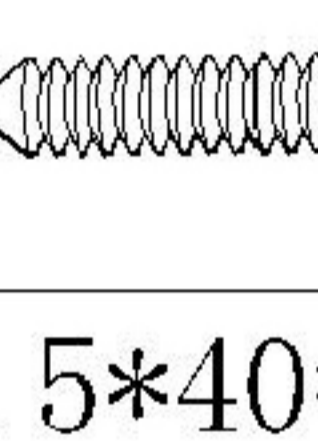
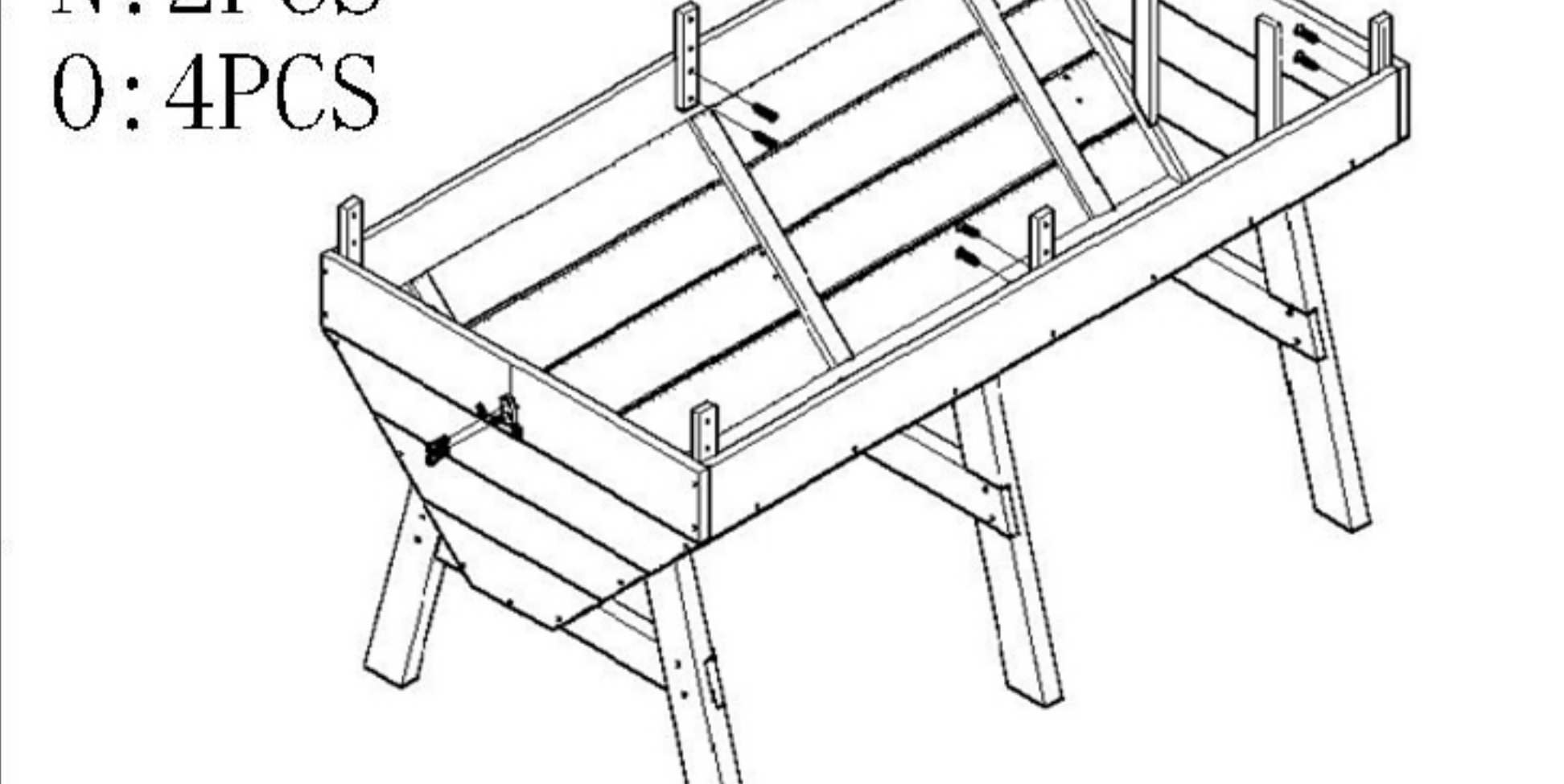
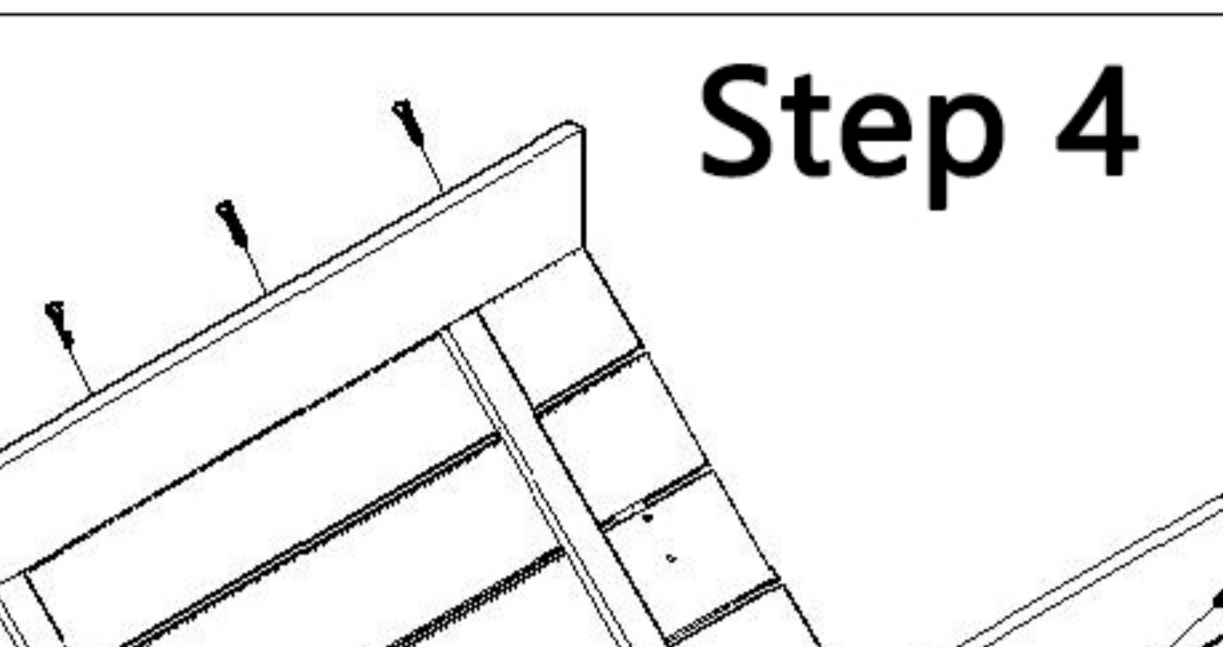
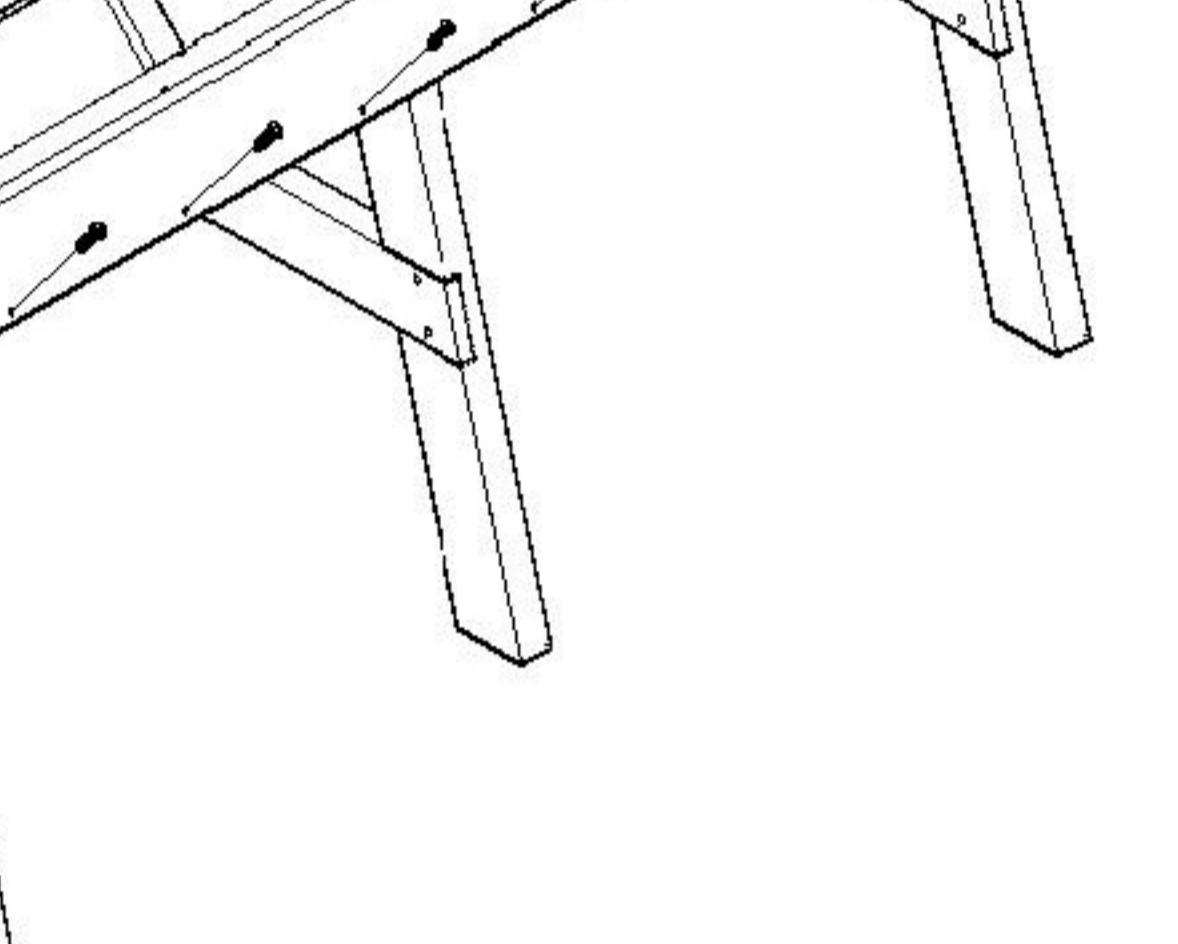
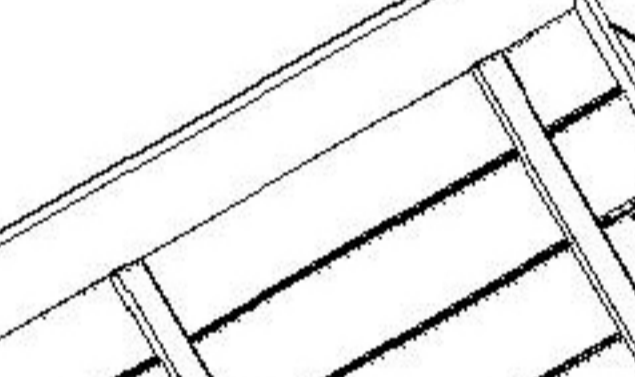

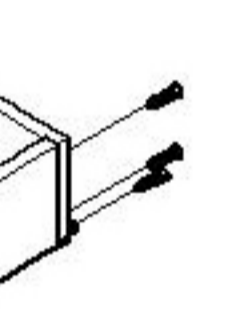


<p>Step 1</p> <p>A: 3PCS B: 3PCS C: 3PCS L: 12PCS</p> 	<p>Step 2</p> <p>D: 1PC E: 1PC H: 1PC J: 14PCS</p>  <p>Note! One wood timber of side panel is with screw holes, this timber must be the third from the top.</p>	<p>Step 3</p> <p>K: 18PCS</p> 	<p>Step 4</p> <p>G: 2PCS J: 14PCS</p> 	
<p>A: 3PCS</p> 	<p>B: 3PCS</p> 	<p>C: 3PCS</p> 	<p>I: 6PCS</p> 	<p>Step 5</p> <p>F: 2PCS K: 22PCS</p> 
<p>D: 1PC</p> 	<p>E: 1PC</p> 	<p>F: 2PCS</p> 	<p>J: 3*30=28PCS</p> 	<p>Step 6</p> <p>I: 6PCS M: 12PCS N: 2PCS O: 4PCS</p>  <p>Note! Only follow step 6 if you are using this product with W761-G greenhouse.</p>
<p>G: 2PCS</p> 	<p>H: 1PC</p> 	<p>N: 2PCS</p> 	<p>K: 3. 5*40=40PCS</p> 	
	<p>O: 3*18=4PCS</p> 	<p>M: 3*25=24PCS</p> 