

Supplier's Name: Long Life Lamp Company
 Supplier's Address: T2 Arundel Rd Uxbridge UB8 2RP UK
 Production Description: 3W LED Outdoor Bollard Light Stainless Steel Cool White
 Model No.: ZLC022CW

• General Information



IP44

TYPE OF LIGHT SOURCE

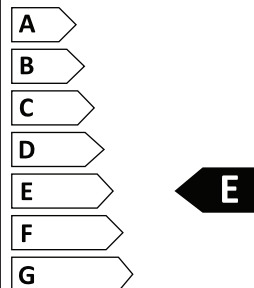
Lighting technology used	LED
Non-directional or directional	Non-directional
Cap-type (or other electric interface)	Built-in
Mains or non-mains	Mains (240V 50Hz AC)
Dimmable	No

GENERAL PRODUCT PARAMETERS

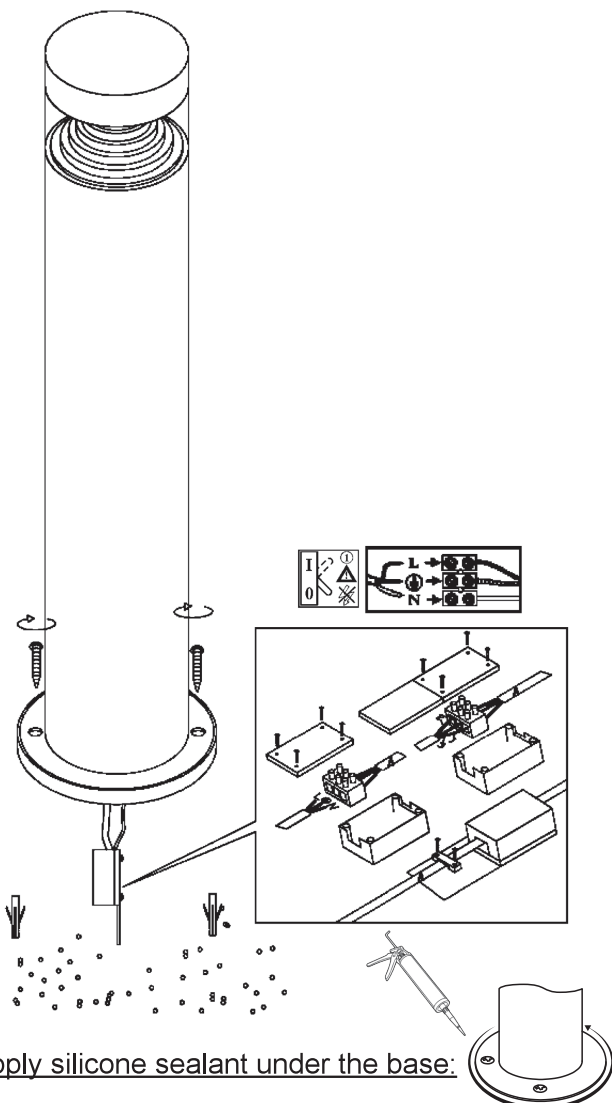
Energy consumption in on-mode	3 kWh/1000h
Useful luminous flux	400 LM
Beam angle correspondence	120 °
Correlated colour temperature	Cool White 6500 K
On-mode power	3 W
Outer dimensions	118 mm x 118 mm x 500 mm



LLLC
ZLC022CW



3 kWh/1000h



Apply silicone sealant under the base:

Type Y

To ensure your safety, If the cable becomes damaged, it must be replaced only by a suitably qualified person. If used incorrectly this product can be dangerous. Young people should be given instruction or supervised to ensure it is used safely.

Please note:
These Light are NOT suitable for sea fronts!

DO NOT Jet Wash!

DO NOT Build into the Soil!

