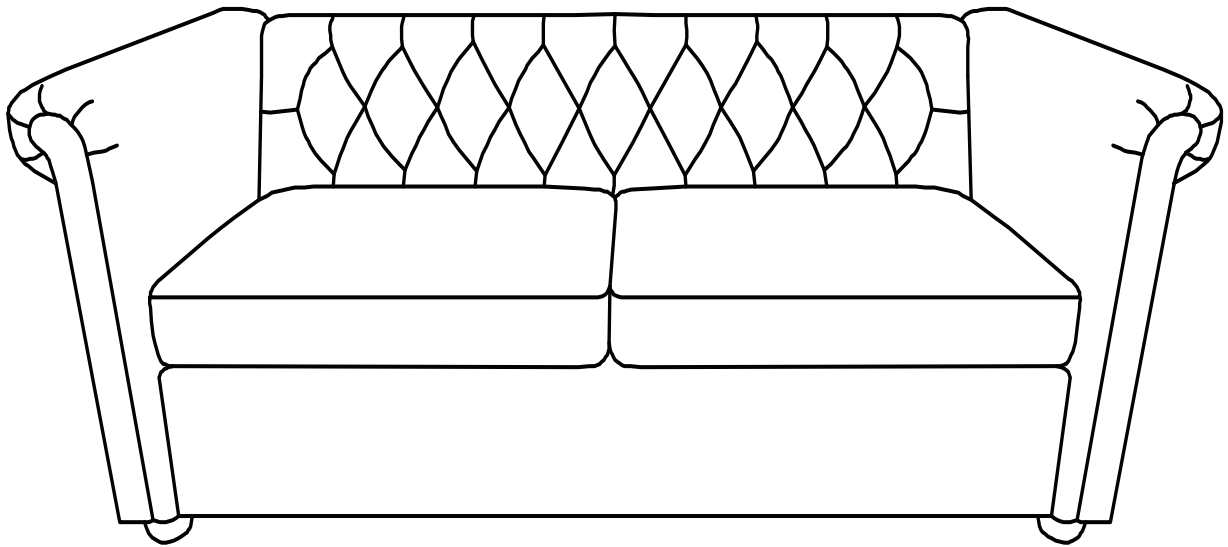
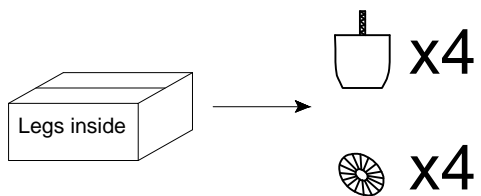
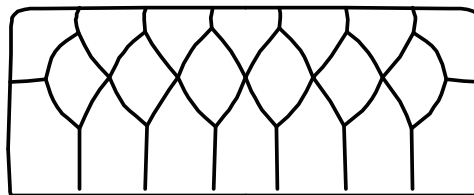
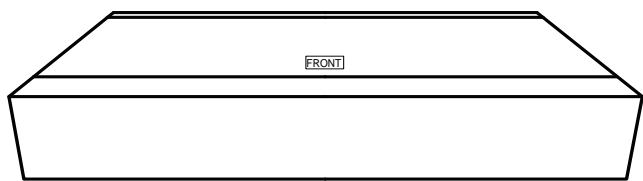


ASSEMBLY INSTRUCTION

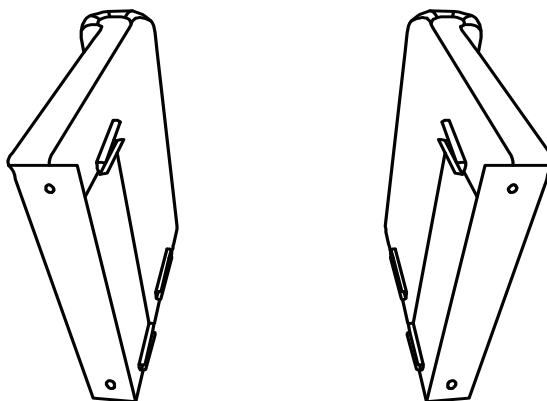
60051/60054/
60057



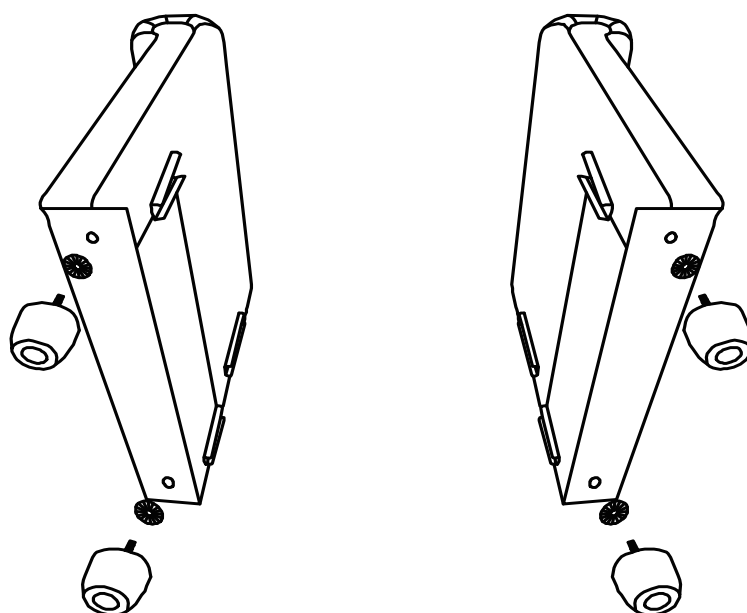
Box 1/2: SEAT + BACK + LEGS



Box 2/2: ARMREST

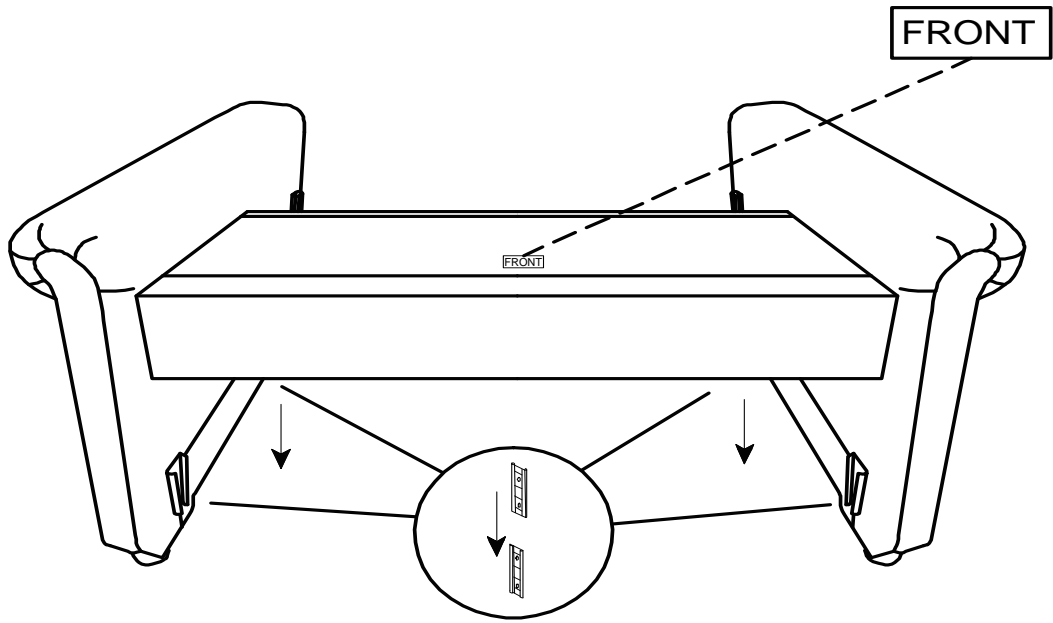


1

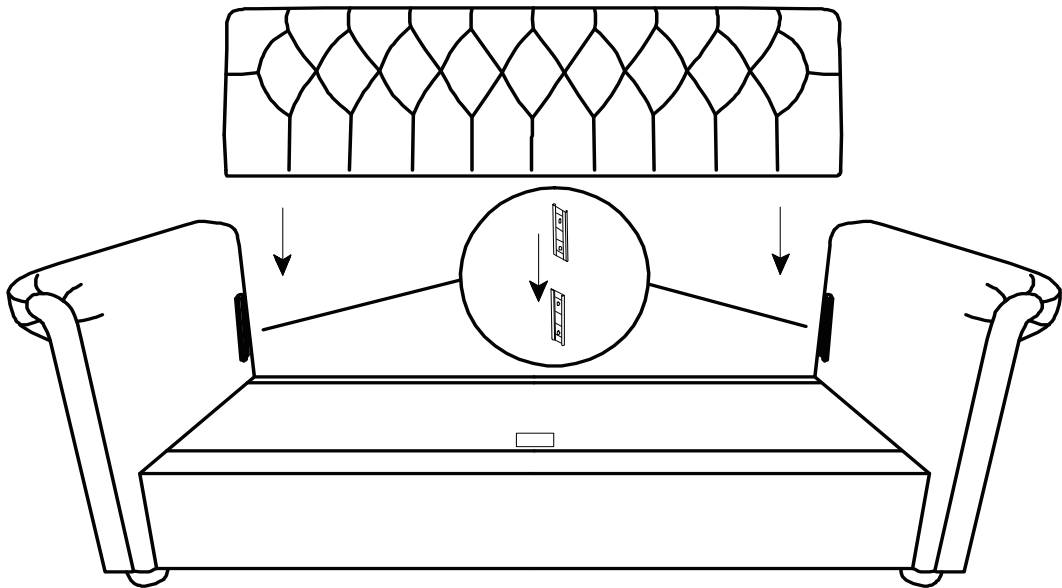


Box 1/2:

2



3



4

