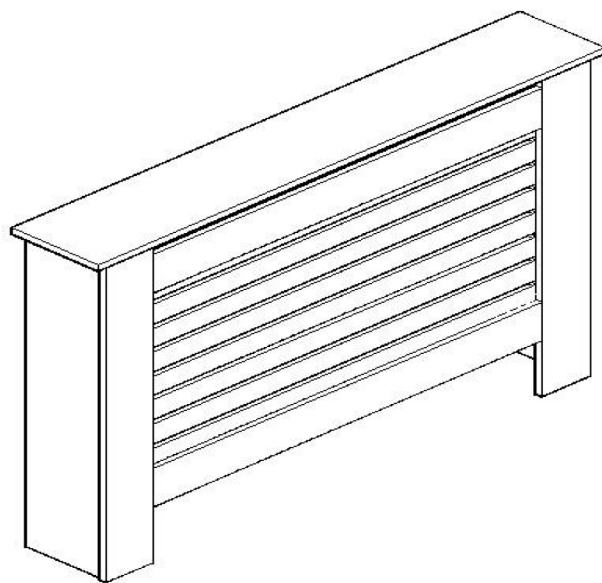
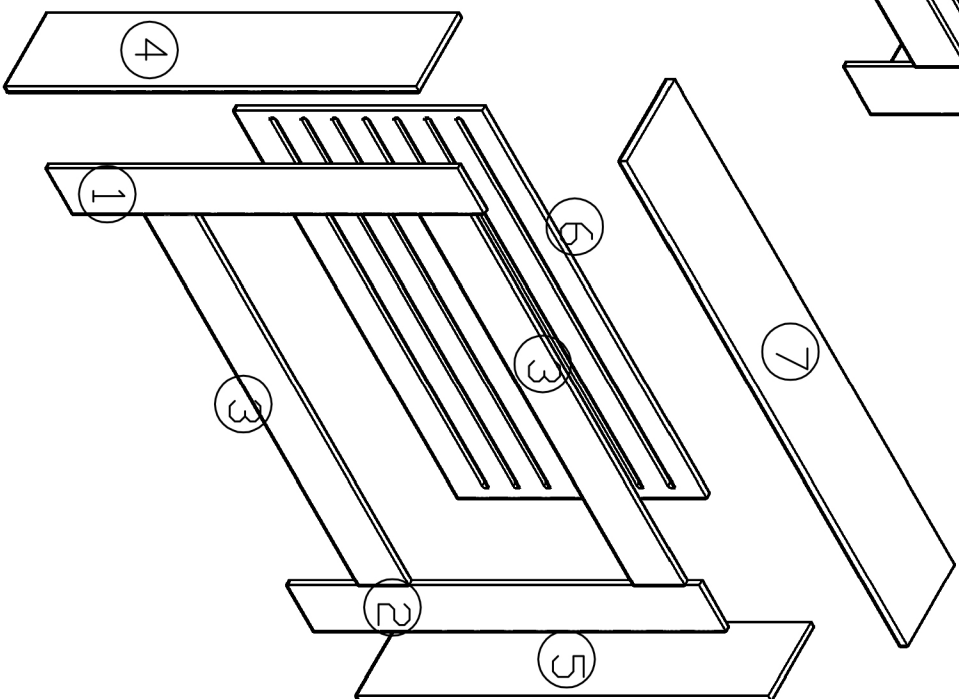
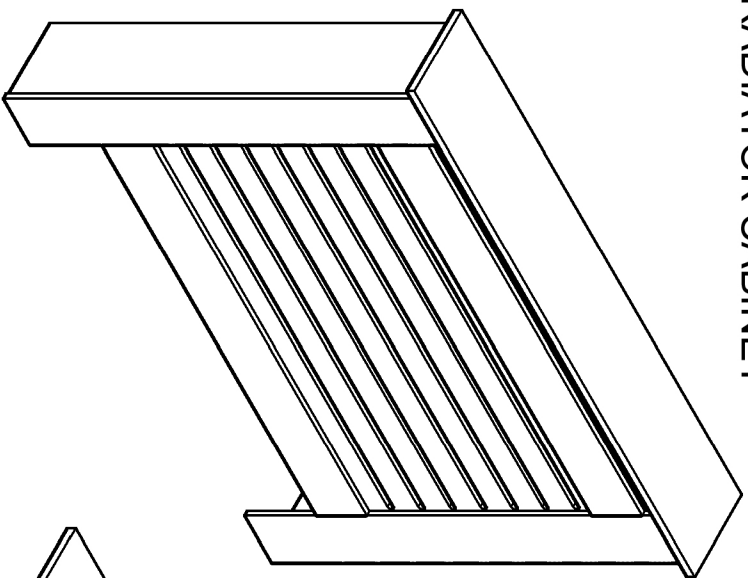


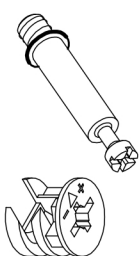
RADIATOR CABINET



RADIATOR CABINET

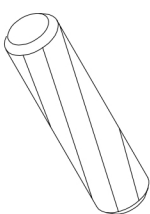


A



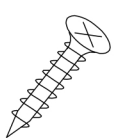
14pcs

B



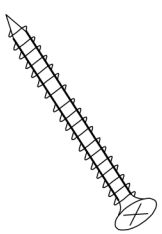
8pcs

C



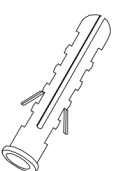
12pcs

D



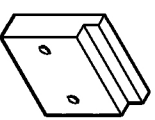
4pcs

E



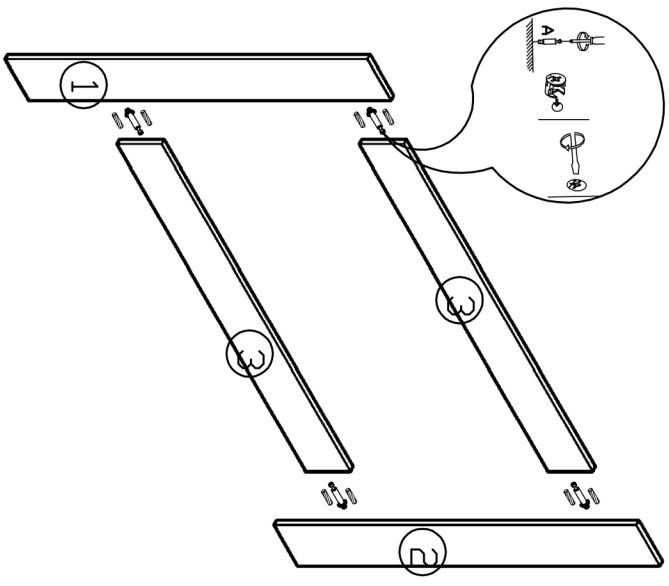
4pcs

F

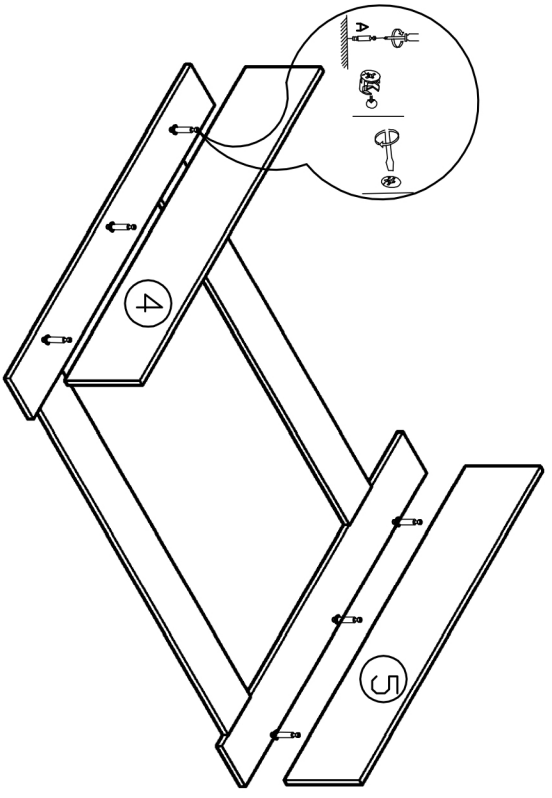


2pcs

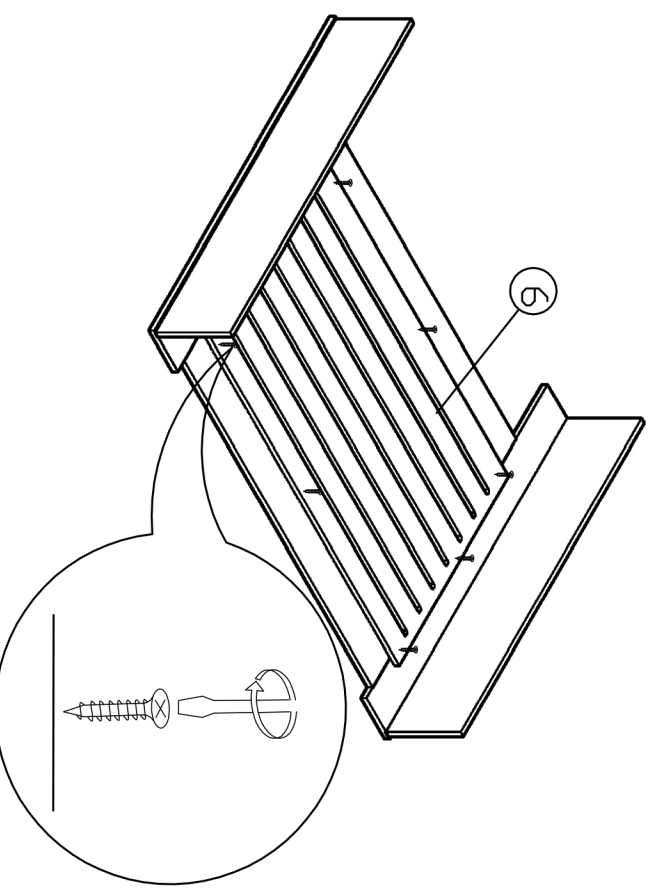
1



2



3



4

