

GOLBAL PROCUREMENT AND MARKETING LIMITED

MALMO OTTOMAN STORAGE BOX

Assembly instruction- Please keep for future reference

OTTMAL BLK

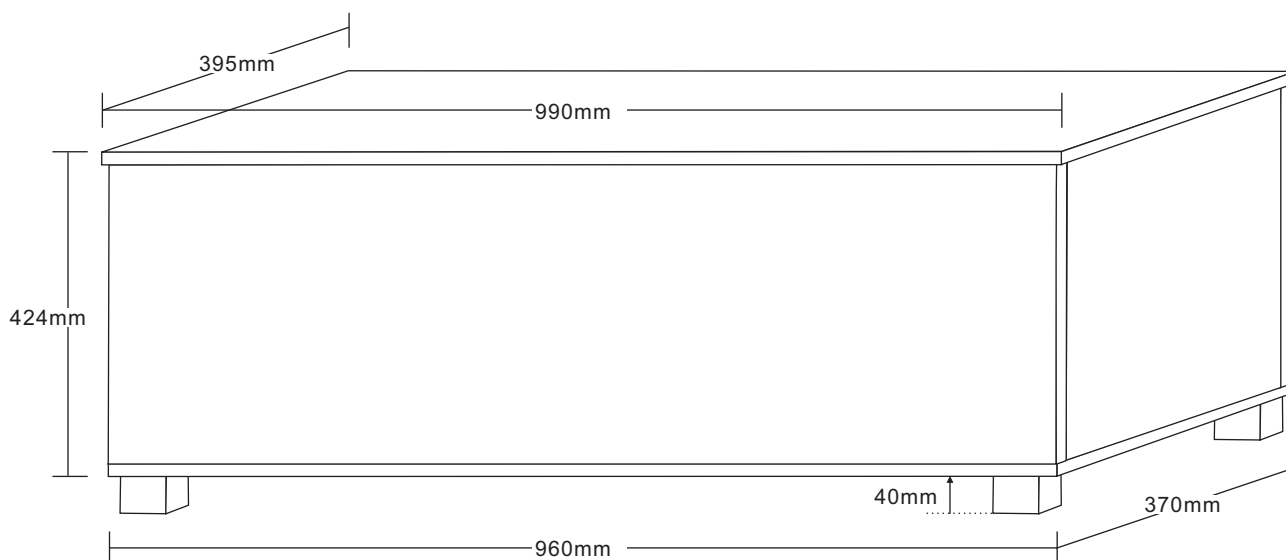
OTTMAL OAK

OTTMAL GRY

OTTMAL SON

OTTMAL WHT

OTTMAL WOK



Dimensions	No. People	Assembly Time	OW#
Width: 990 cm		45 mins (approx)	OTTMAL BLK / OTTMAL OAK
Depth: 395 cm			OTTMAL GRY / OTTMAL SON
Height: 465 cm			OTTMAL WHT / OTTMAL WOK

thank you

For purchasing this
GPM Limited
product

Important

- PLEASE READ THESE INSTRUCTION FULLY BEFORE STARTING ASSEMBLY.
- PLEASE DO NOT THROW THE PACKAGING AWAY UNTIL YOU ARE SATISFIED WITH PURCHASE, GOODS NEED TO BE RETURNED IN ORIGINAL PACKAGING.

If you need help or have damaged or missing parts, please email aftersales@gpmfurniture.co.uk

⚠ Safety and Care Advice

Important-Please read these instructions fully before starting assembly

- Check you have all the components and tools listed on pages 2,3 and 4.
- Remove all fittings from the plastic bags and separate them into their groups.
- Keep children and animals away from the work area, small parts could choke if swallowed.
- Make sure you have enough space to lay out the parts before starting.
- Do not stand or put weight on the product, this could cause damage.
- Assemble the item as close to its final position (in the same room) as possible.
- Assemble on a soft, level surface to avoid damaging the unit or your floor.
- We do not recommend the use of power drill/drivers for inserting screw, as this could damage the unit. only use hand screwdrivers.
- Dispose of all packaging carefully and responsibly.

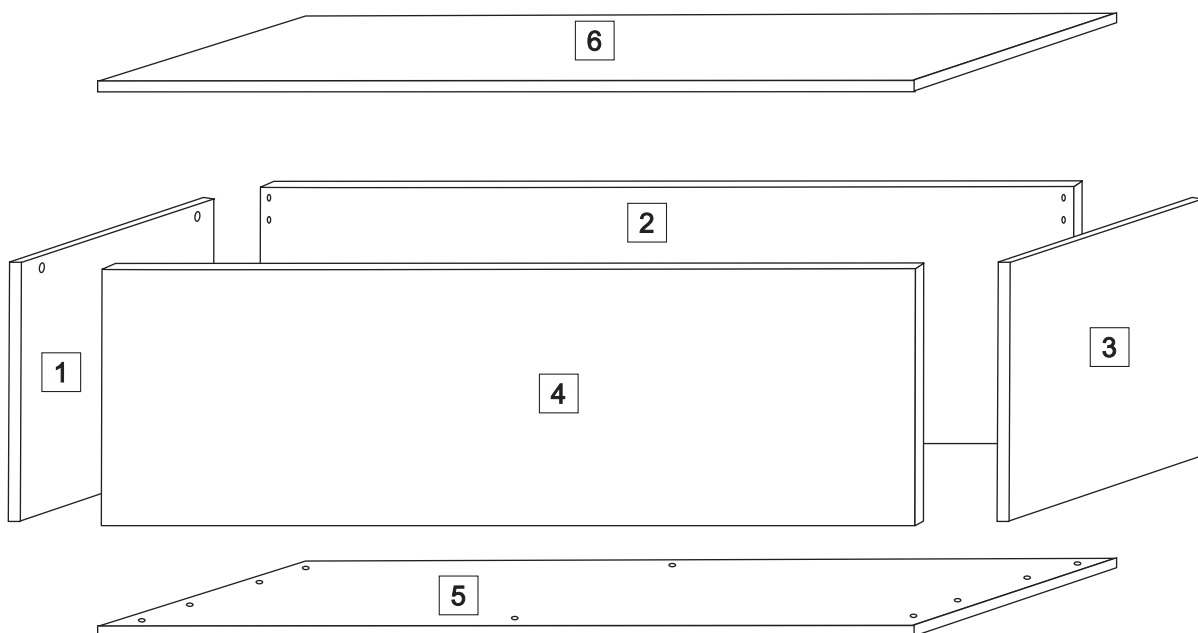


Care and Maintenance

- Only clean using a damp cloth and mild detergent, do not use bleach or abrasive cleaners.
- From time to time check that there are no loose screws on this unit.
- This product should not be discarded with household waste. Take to your local authority waste disposal centre.

If you are unhappy with the product and wish to return it, please following the retailer's returns procedure.

Components - Panels




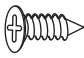
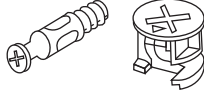

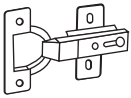

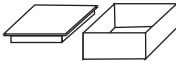

Components - Fixings

If you have damaged or missing components,
email: aftersales@gpmfurniture.co.uk

Please check that you have all the components listed below before constructing your item.

Note: The quantities below are the correct amount to complete the assembly. In some cases more fittings may be supplied than are required.

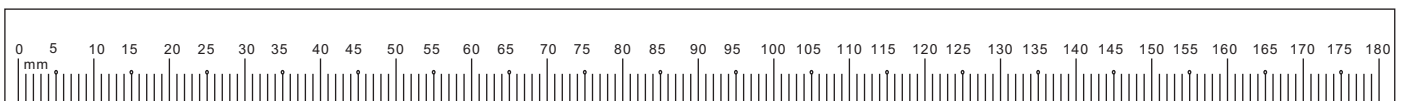
HARDWARE

<p>(A)</p>  <p>JCBC M5 X 40mm X 6</p>	<p>(B)</p>  <p>M3.5 X 14mm X 33</p>	<p>(C)</p>  <p>Bolt Nut MiniFit set X 4</p>	<p>(D)</p>  <p>Dowel (M8X25) X 8</p>
<p>(E)</p>  <p>Hinges X 3</p>	<p>(F)</p>  <p>Door Hinge Retainer X 1</p>	<p>(G)</p>  <p>Plastic Leg X 4</p>	<p>(H)</p>  <p>Allen Key X 1</p>

Tools Required (Not Provided)



Ruler - Use this to measure your screws (mm)



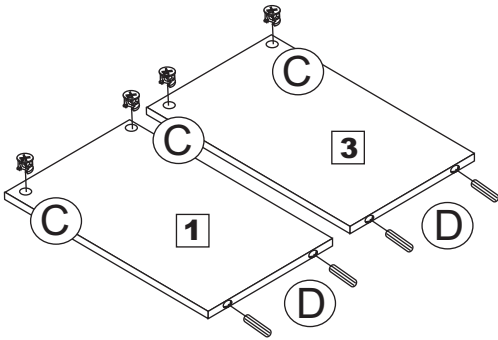
Important-Please read these instructions fully before starting assembly

If you need help or have damaged or missing parts, please email aftersales@gpmfurniture.co.uk

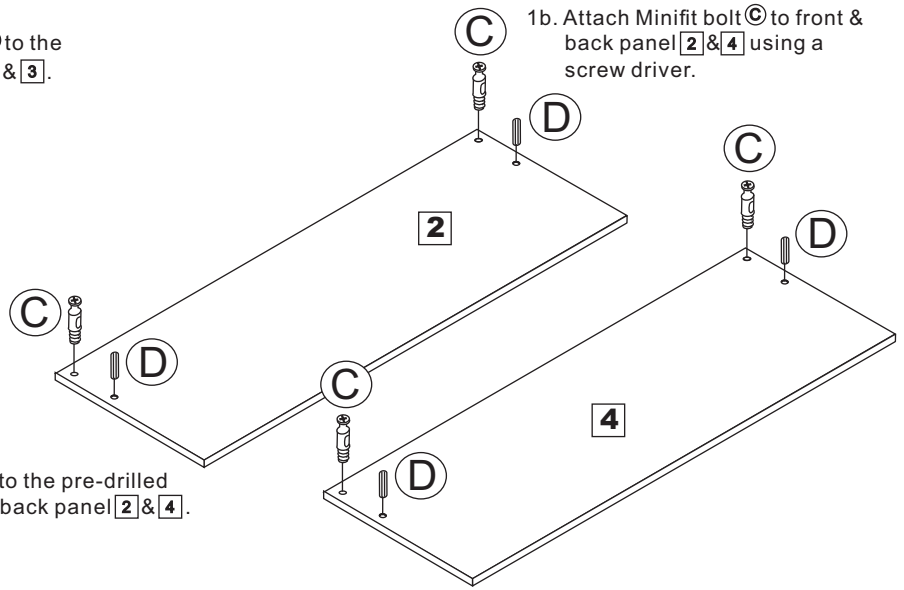
Assembly Instructions

If you have damaged or missing components,
email: aftersales@gpmfurniture.co.uk

Step 1 1a. Insert Minifit Nut (C) and Dowel (D) to the pre-drilled holes of side panel (1) & (3).



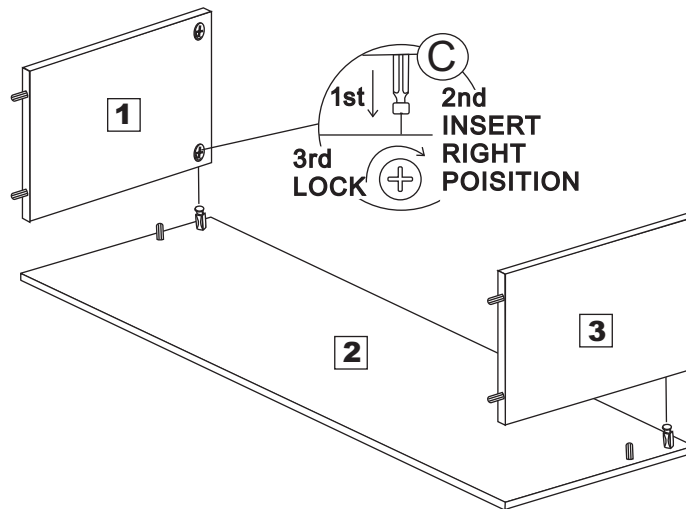
1b. Attach Minifit bolt (C) to front & back panel (2) & (4) using a screw driver.



1c. Insert Dowel (D) to the pre-drilled holes of front & back panel (2) & (4).

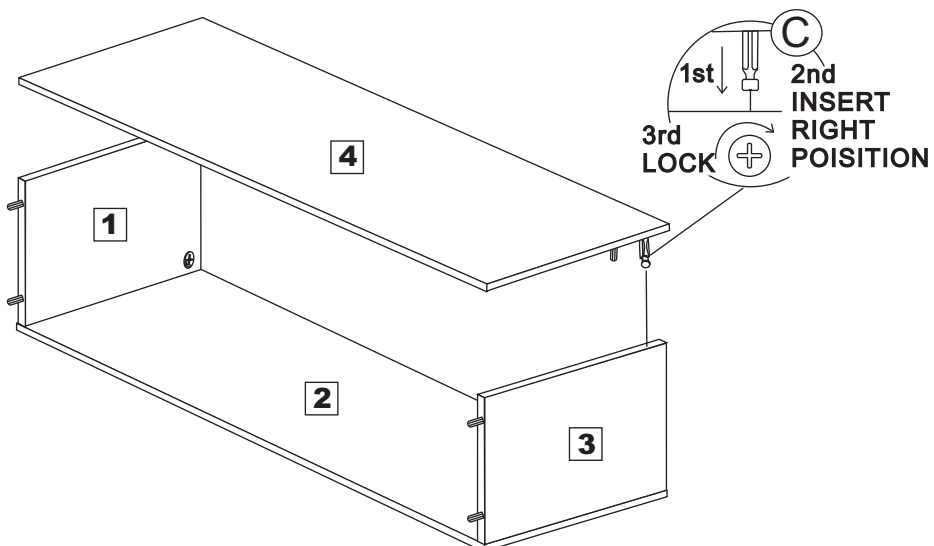
Step 2

Align and attach Side panel (1) & (3) to Back panel (2) to Dowel and Minifit and tighten with a screw driver or Allen key.

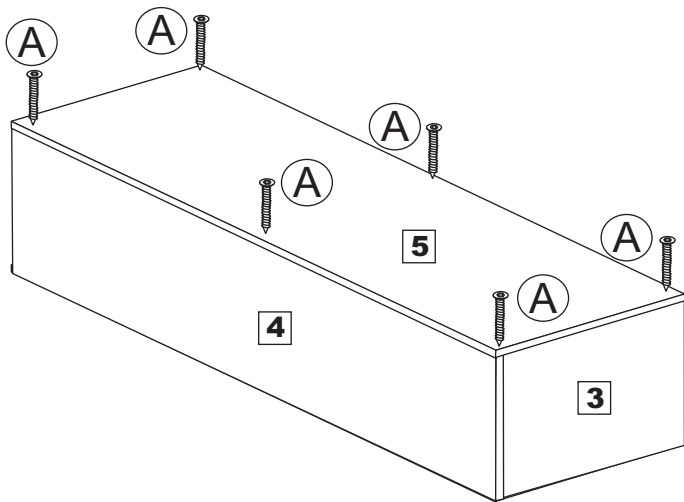


Step 3

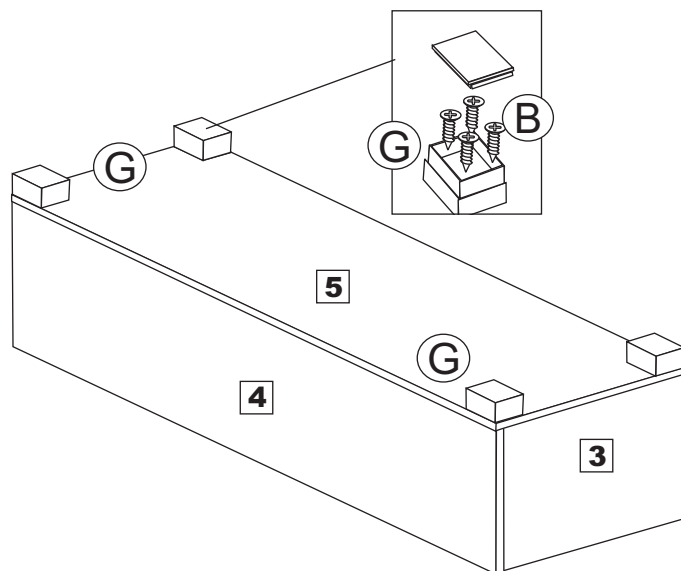
Align and attach Front panel (4) to Side panel (1) & (3) to Dowel and Minifit as shown, and tighten with a screw driver or Allen key.



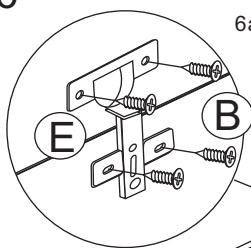
Step 4 Attach Bottom panel **5** to assemble the Ottoman box with Screw **A** using Allen key to tighten.



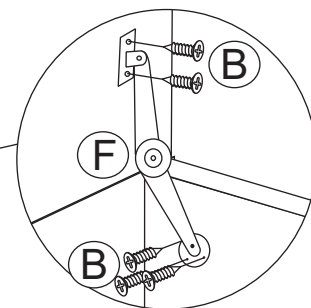
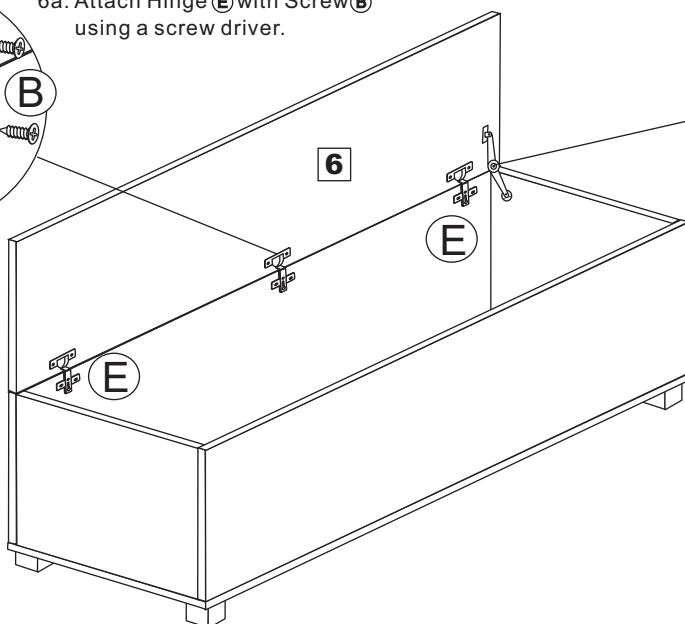
Step 5 Attach Plastic leg **G** to the underside of Bottom panel **5** with Screw **B** as shown using a screw driver.



Step 6



6a. Attach Hinge **E** with Screw **B** using a screw driver.



6b. Attach door hinge retainer **F** with Screw **B** using a screw driver.

Assembly Complete

