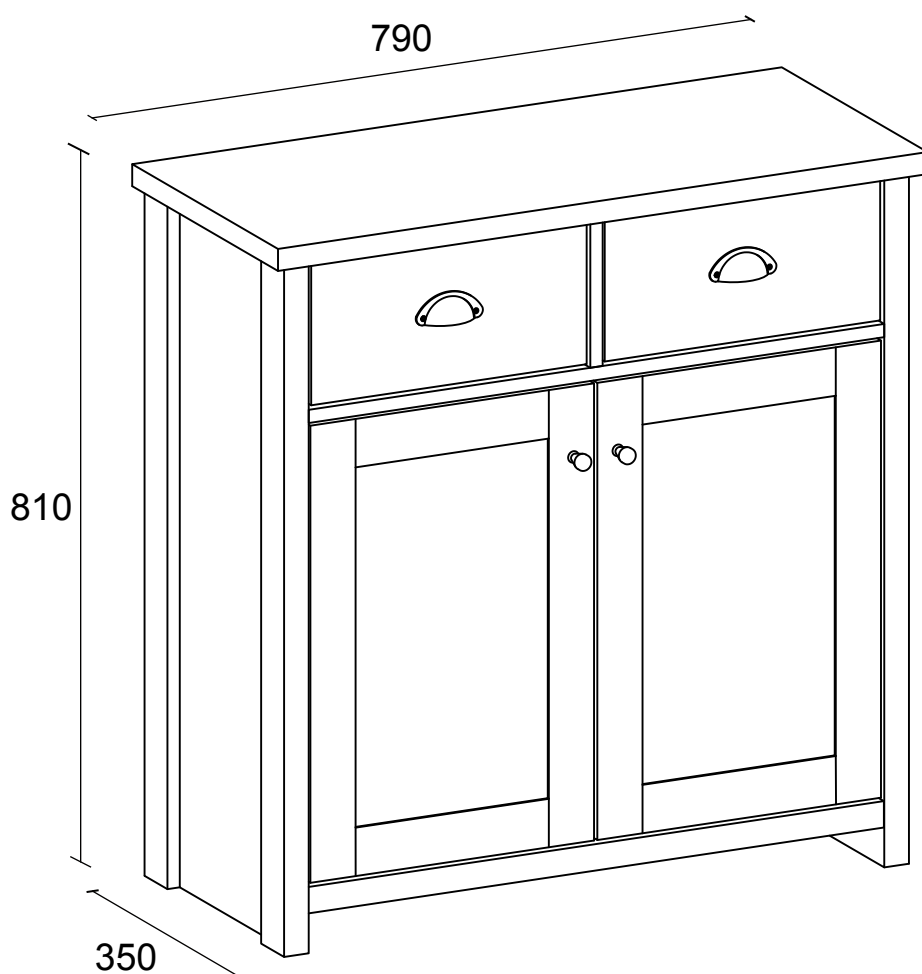


COMPACT SIDEBOARD ASSEMBLY INSTRUCTIONS

Thank you for purchasing the **COMPACT SIDEBOARD**.
Please read the instructions carefully to ensure safe operation of the product.



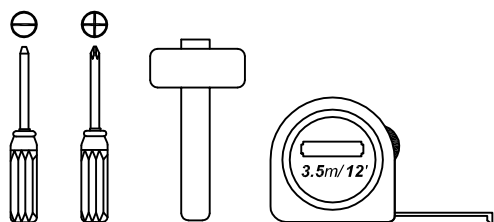
Size : (W)790 x (D)350 x (H)810 mm

PLEASE READ this sheet prior to assembly to familiarise yourself with the various stages of construction.

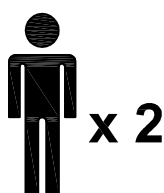
Carefully open the pack supplied and check the contents against the parts and fittings check list. Do not destroy any of the packaging until you are certain that you have all the necessary parts for the assembly.

CAUTION: There are small components used in the construction of this unit. These loose items should be kept away from young children whilst assembling your unit to avoid the danger of choking hazards.

Tools Required



Person Required



Approximate Assembly Time



IMPORTANT - READ CAREFULLY - RETAIN THESE INSTRUCTIONS FOR FUTURE REFERENCE.

INFORMATION

- This product is intended for a maximum weight of **25kgs** and drawer load capacity **5kg** each. Do not exceed this weight.
- Due to the size of this product we recommend that it is assembled in the room intended for use.
- When you ready to start, make sure that you have the right tools, plenty of space and a clean, dry area for assembly
- Unwrap all packaging materials and place the components on top of the carton box or not on a clean floor to prevent it from scratching.
- Check the pack and make sure you have all the parts listed.
- Ensure that this product is fully assembled as illustrated before use.
- Check all screws or bolts are tightened and inspect regularly.
- This product should only be used on firm, level ground.
- Keep small parts out of reach of children.
- Make sure the legs remain in contact with the ground.
- Tools not included.

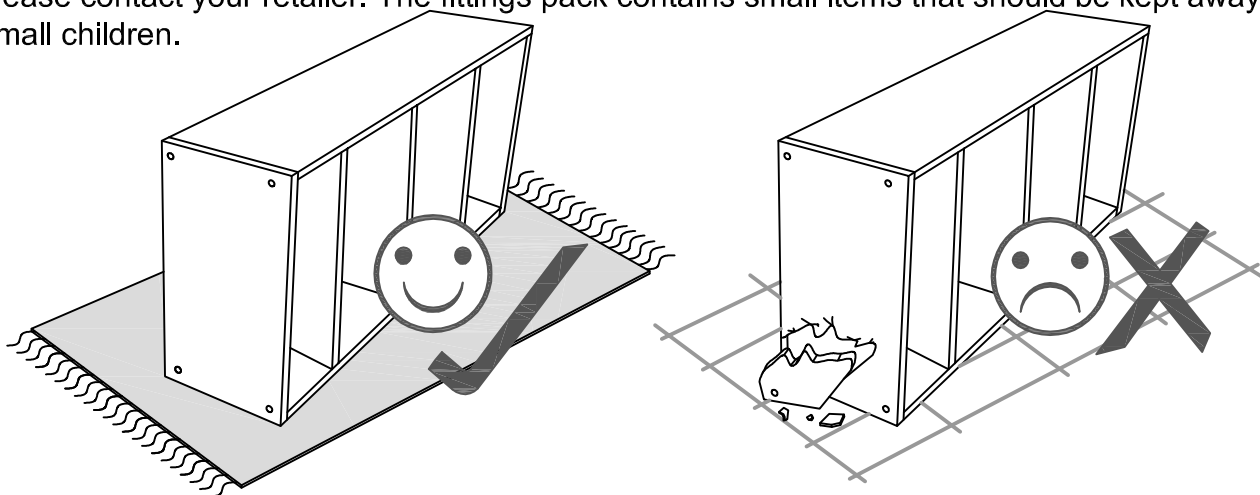
WARNINGS

- DO NOT use power tools to construct this product.
- DO NOT tighten screw until fully assembled.
- DO NOT over tighten screw or bolts.
- DO NOT use this product if parts are missing, damage or worn.
- DO NOT stand or sit on this sideboard.
- We recommend the use of the wall strap provided for safety reasons. N.B. Wall fixings are not included -please source suitable fixings for your wall type. If in doubt please consult a qualified tradeperson. **Warning:** Always ensure the area to be drilled is free from hidden electrical wires, water and gas pipes.
- It is essential that this unit is fixed to a wall with the fixings provided.

CARE INFORMATION

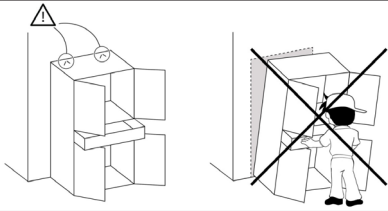
- Never use scourers, abrasives or chemical cleaners.
- To clean wipe with a sponge and soapy water. Do not use solvent based cleaners or detergents as they can bleach or damage the product.



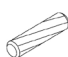




Please check the pack contents before assembling the product. If any components are missing, please contact your retailer. The fittings pack contains small items that should be kept away from small children.



Layout Parts on Soft Surface

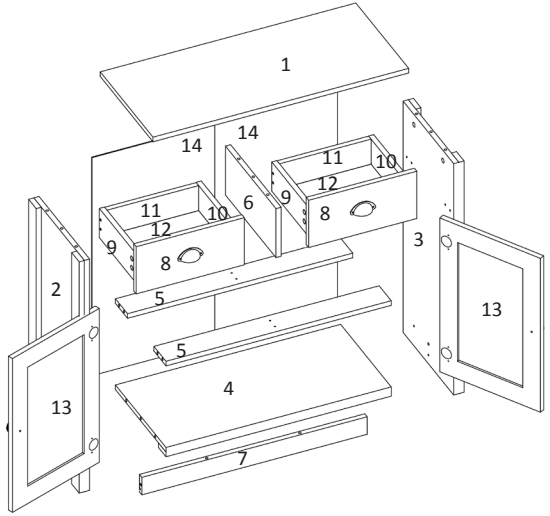
1






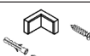
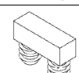


- 2 Ax28 
- Bx28 
- Cx9 
- Dx12  M3.5x $\frac{35}{1.4}$
- Ex4 
- Gx2 
- Hx2 

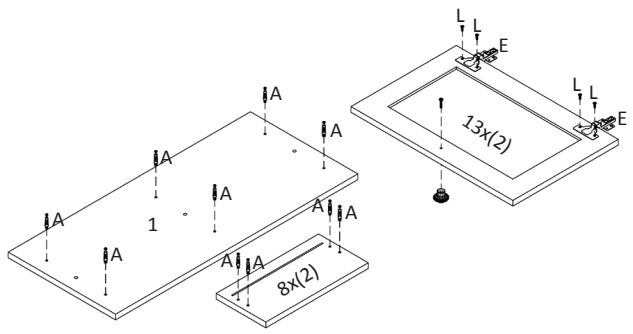
3


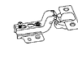



mm
inch
x2

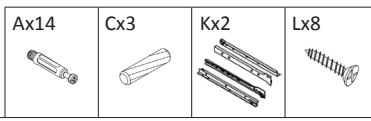
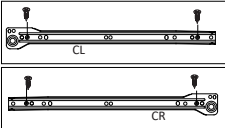
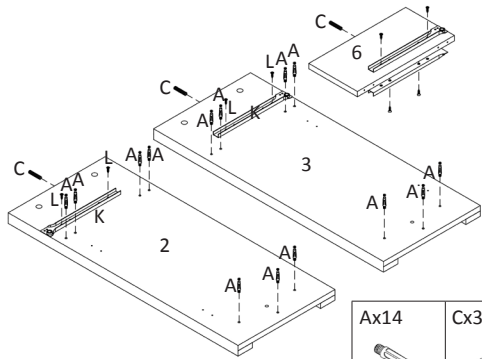
- Jx2 
- Kx2 
- Lx40  M3.5x $\frac{14}{0.6}$
- Mx5 
- Nx26 
- Ox1 
- Px1 

1

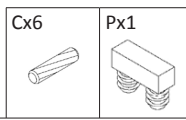
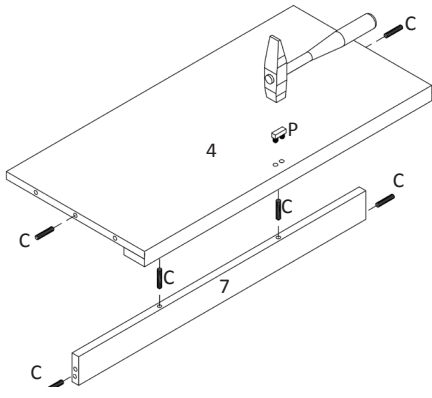


- | | | | | |
|--|---|---|---|--|
| Ax14  | Ex4  | Hx2  | Jx2  | Lx8  |
|--|---|---|---|--|

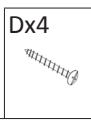
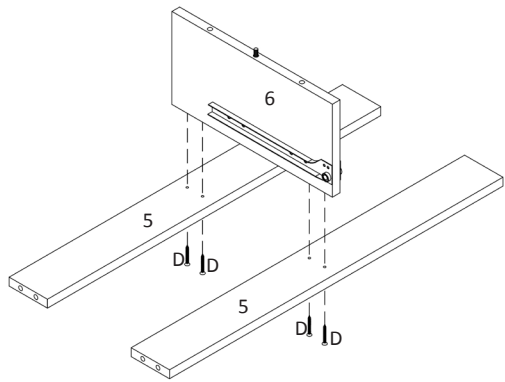
2



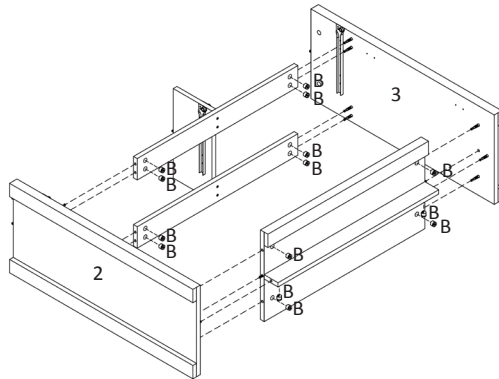
3



4



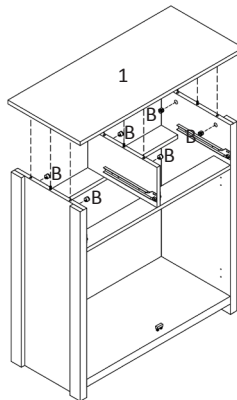
5



Bx14



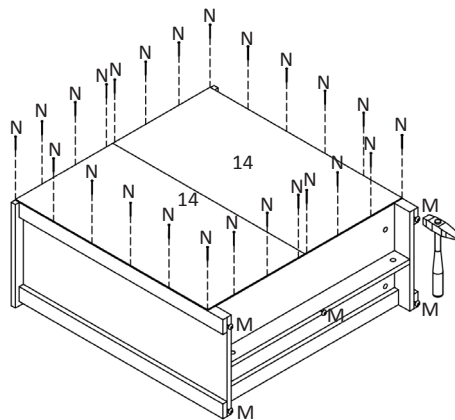
6



Bx6



7



Mx5



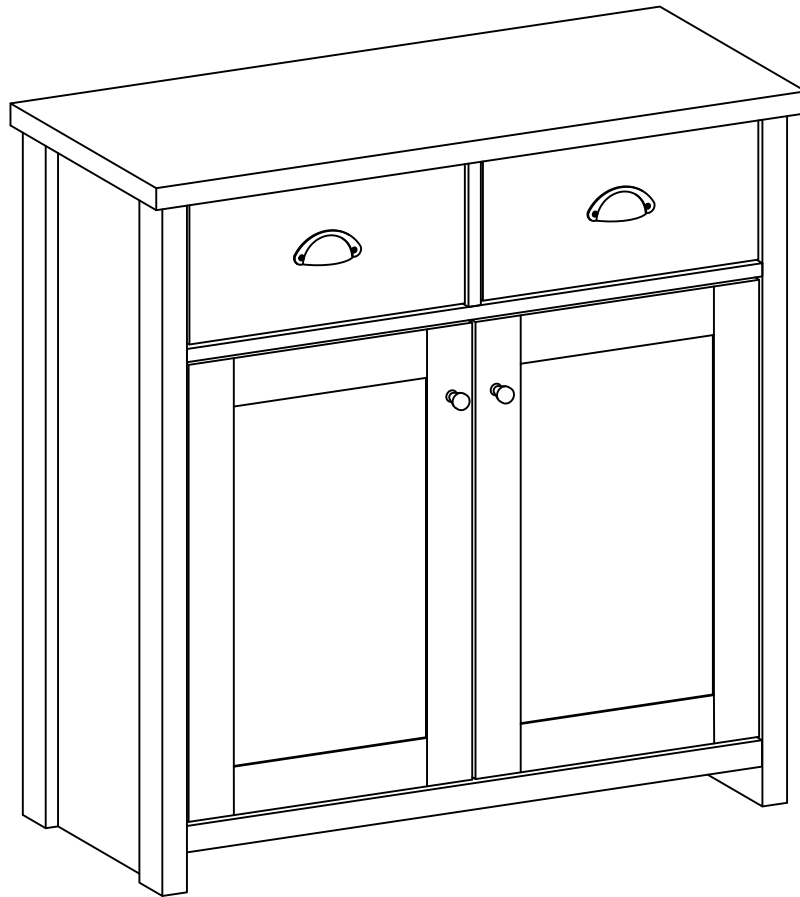
Nx26



Complete Assembly

Your **COMPACT SIDEBOARD** is now completely assembled

Periodically check to ensure that the components are in their proper position, free from damage. Also, make sure the connectors are tight and secure.



Keep instructions for future reference

