

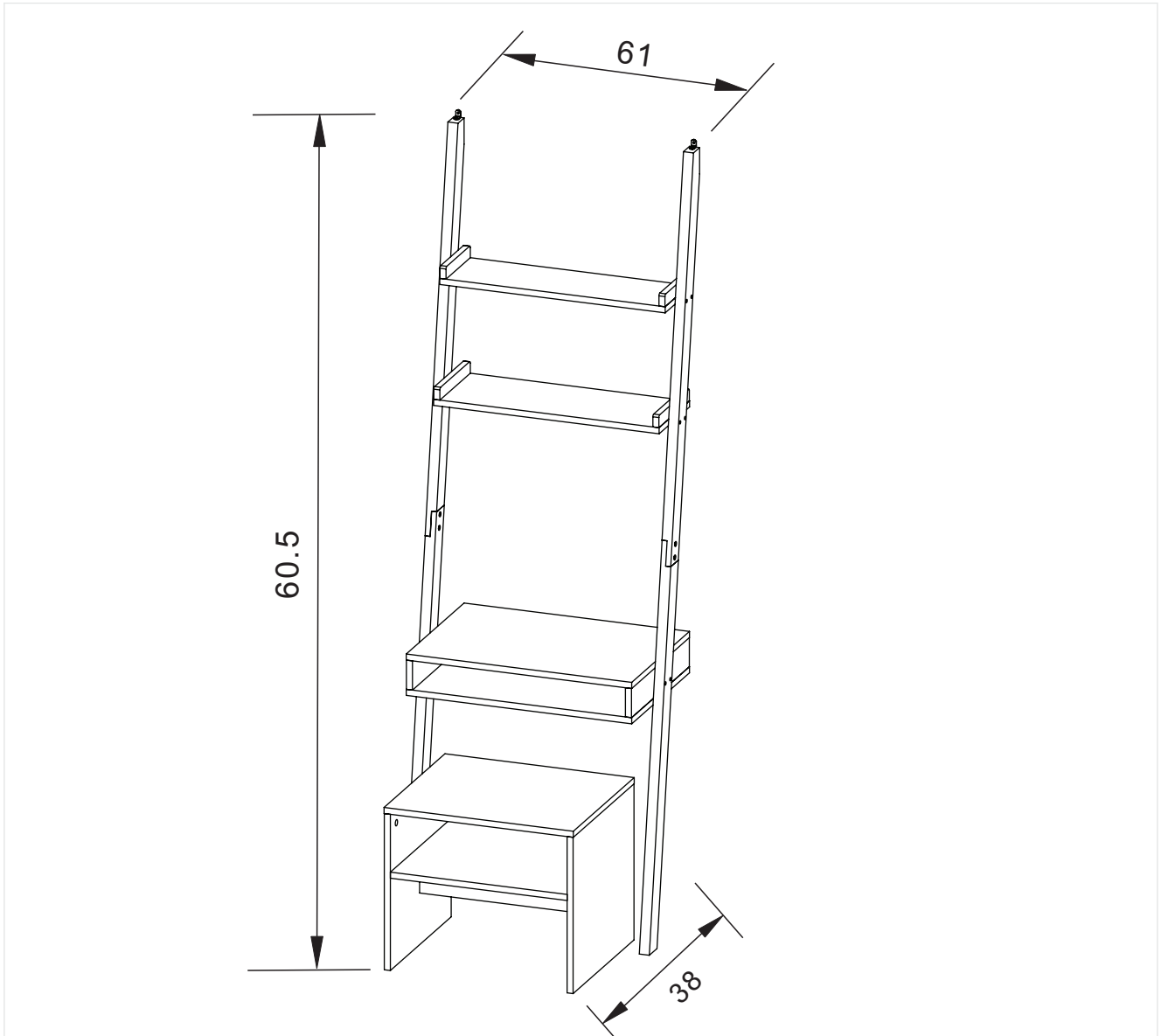
# GLOBAL PROCUREMENT AND MARKETING LIMITED

## Ladder Desk Set

Assembly Instructions – Please keep for future reference


DESLADWHT

DESLADGRY



*thank you*

For purchasing this  
**GPM Limited**  
product

Dimensions	No. people	Assembly Time	OW #
Width: 61cm Depth: 38cm Height: 189cm		45 mins (approx.)	DESLADWHT DESLADGRY

**Important** – Please read these instructions fully before starting assembly

If you need help or have damaged or missing parts, please email [aftersales@gpmfurniture.co.uk](mailto:aftersales@gpmfurniture.co.uk)

# Safety and Care Advice

**Important** – Please read these instructions fully before starting assembly

- ξ Check you have all the components and tools listed on pages 2, 3 and 4.
- ξ Remove all fittings from the plastic bags and separate them into their groups.
- ξ Keep children and animals away from the work area, small parts could choke if swallowed.
- ξ Make sure you have enough space to lay out the parts before starting.
- ξ Do not stand or put weight on the product, this could cause damage.
- ξ Assemble the item as close to its final position (in the same room) as possible.
- ξ Assemble on a soft, level surface to avoid damaging the unit or your floor.
- ξ We do not recommend the use of power drill/drivers for inserting screws, as this could damage the unit. Only use hand screwdrivers.
- ξ Dispose of all packaging carefully and responsibly.

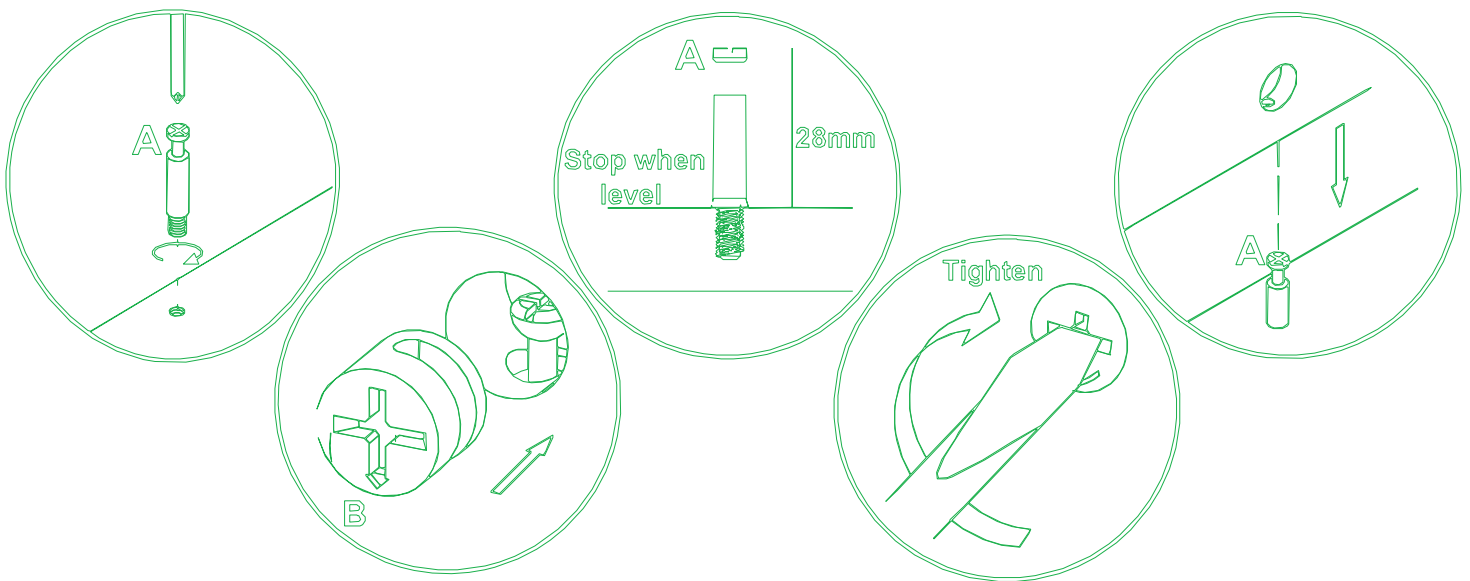


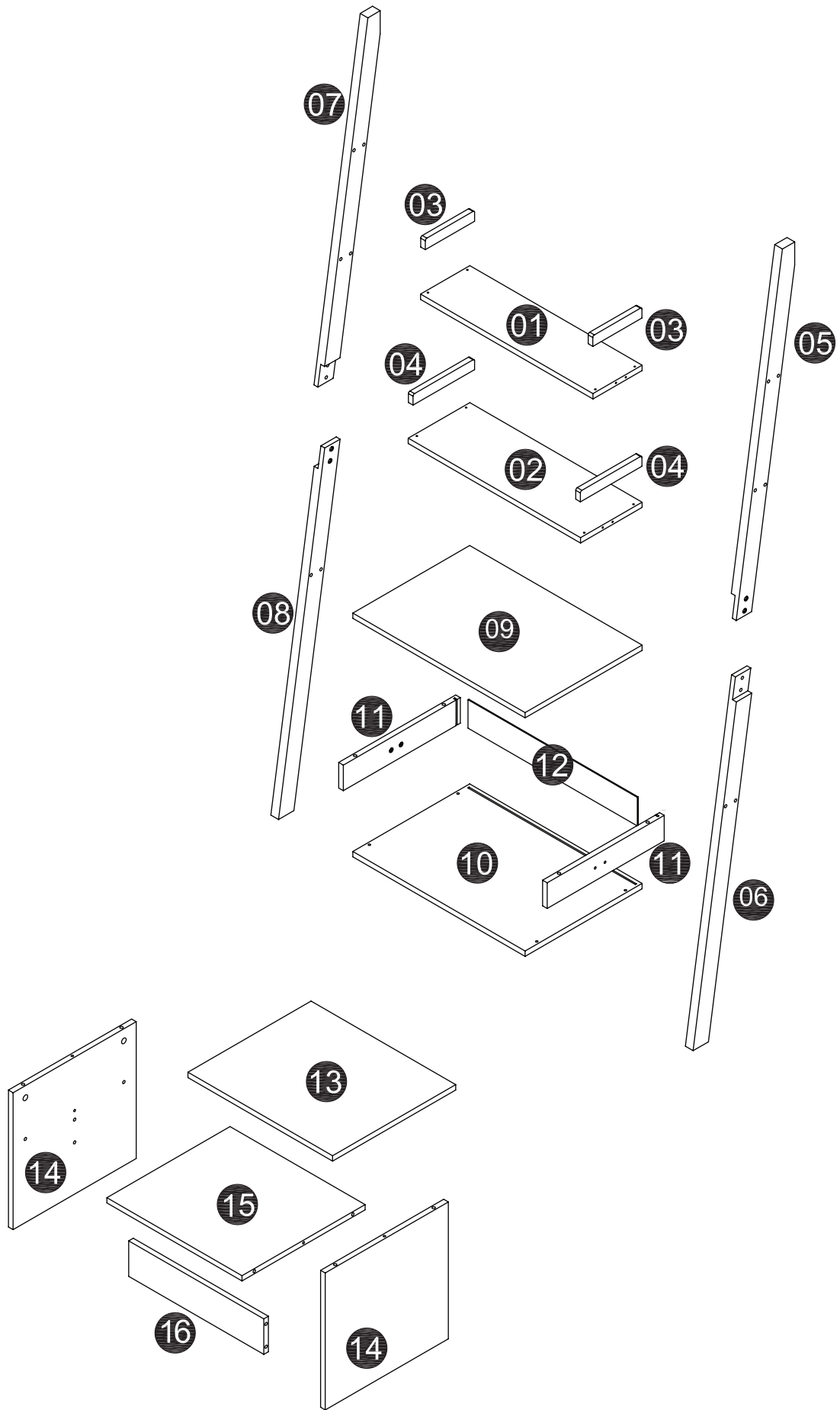
## Care and Maintenance

- ξ Only clean using a damp cloth and mild detergent, do not use bleach or abrasive cleaners.
- ξ From time to time check that there are no loose screws on this unit.
- ξ This product should not be discarded with household waste. Take to your local authority waste disposal centre.

If you are unhappy with the product and wish to return it, please follow the retailer's returns procedure.

## Components - Panels







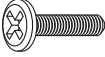
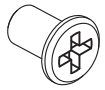



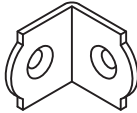







# Components - Fixings

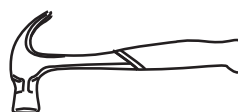
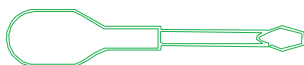
If you have damaged or missing components,  
email: [aftersales@gpmfurniture.co.uk](mailto:aftersales@gpmfurniture.co.uk)

**Please check that you have all the components listed below before constructing your item.**

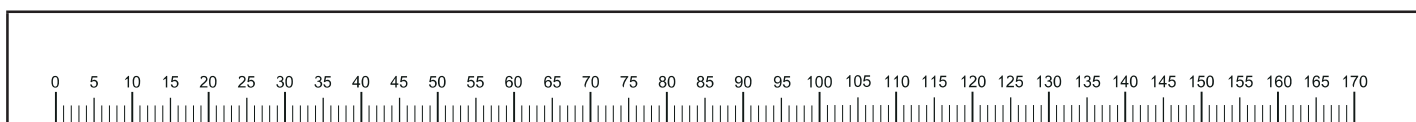
**Note:** The quantities below are the correct amount to complete the assembly. In some cases more fittings may be supplied than are required.

(A)	Screw x8  Ø4 x50mm	(B)	Nut x8 	(C)	Bolt x4  M6 x15mm	(D)	Nut x8 
(E)	Screw x10  Ø4 x30mm	(F)	Expansion bolt x2 	(G)	Bolt x4  M6x90mm	(H)	Corner iron x2 
(I)	Screw x2 	(J)	Dowel x4  Ø6 x30mm	(K)	Cam bolt x12 	(L)	Cam lock x12 
(M)	Bolt x4  M6x30mm						

## Tools Required ( Not Provided )



**Ruler** – Use this to measure your screws (mm)





**Important** – Please read these instructions fully before starting assembly

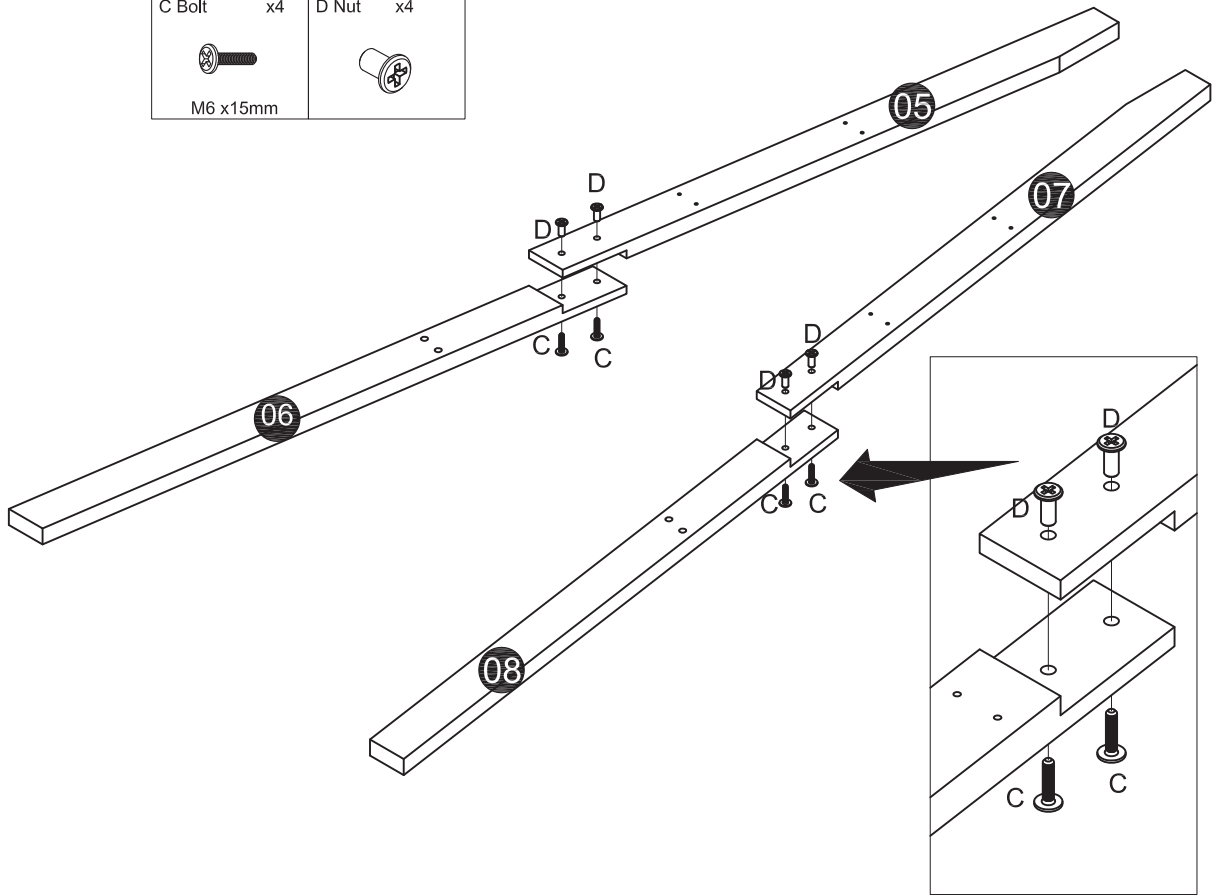
If you need help or have damaged or missing parts, please email [aftersales@gpmfurniture.co.uk](mailto:aftersales@gpmfurniture.co.uk)

If you have damaged or missing components,  
email: [aftersales@gpmfurniture.co.uk](mailto:aftersales@gpmfurniture.co.uk)



# Assembly Instructions

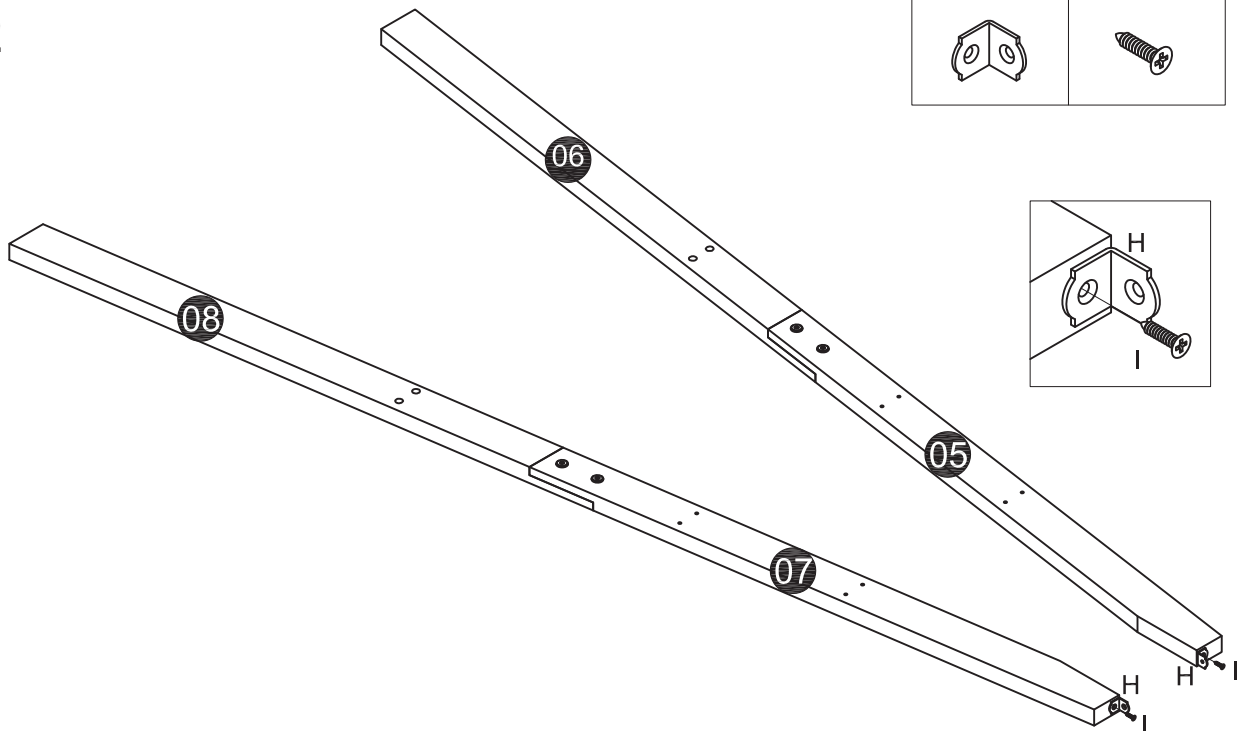
## Step 1

C Bolt	x4	D Nut	x4
			
M6 x15mm			

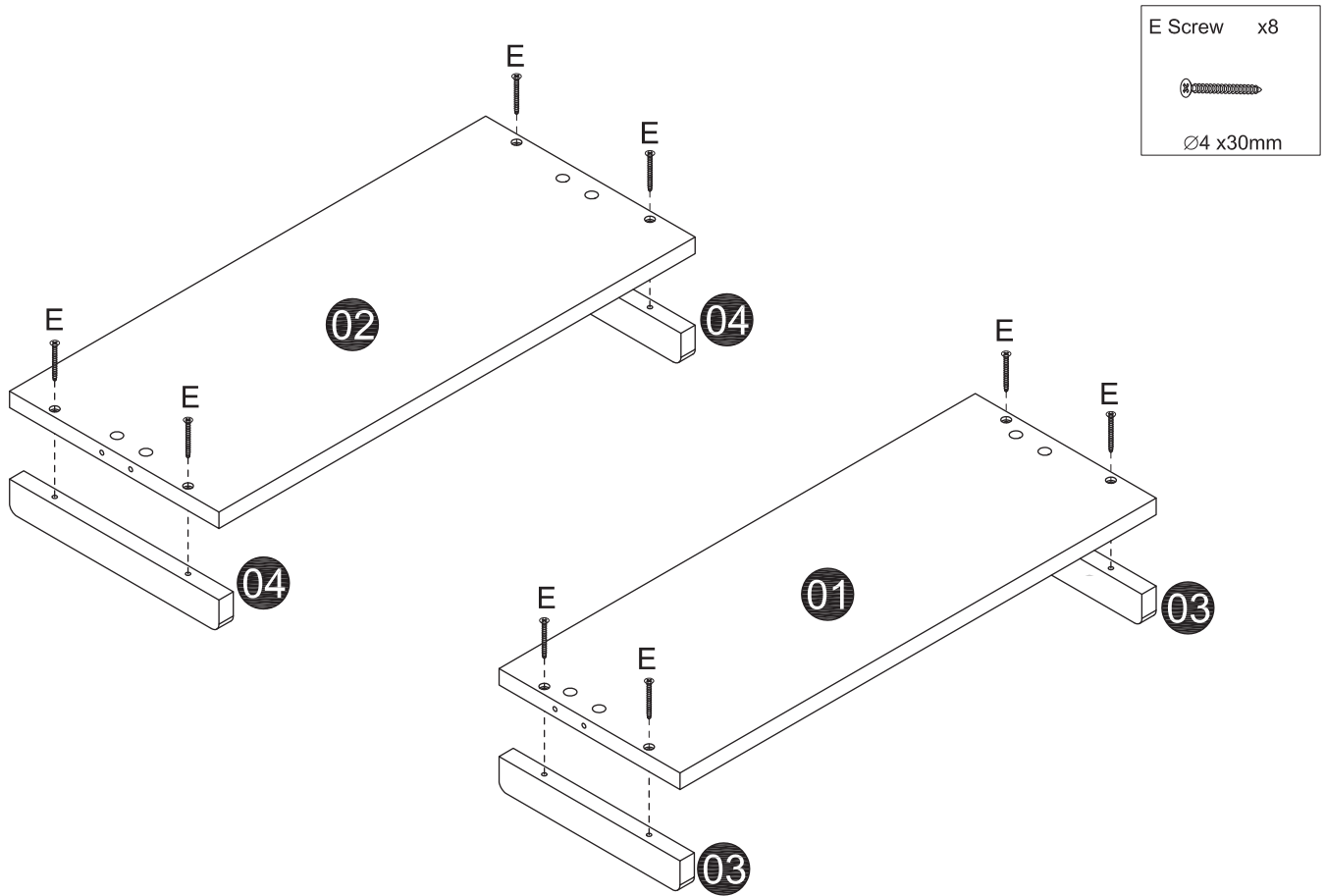


## Step 2

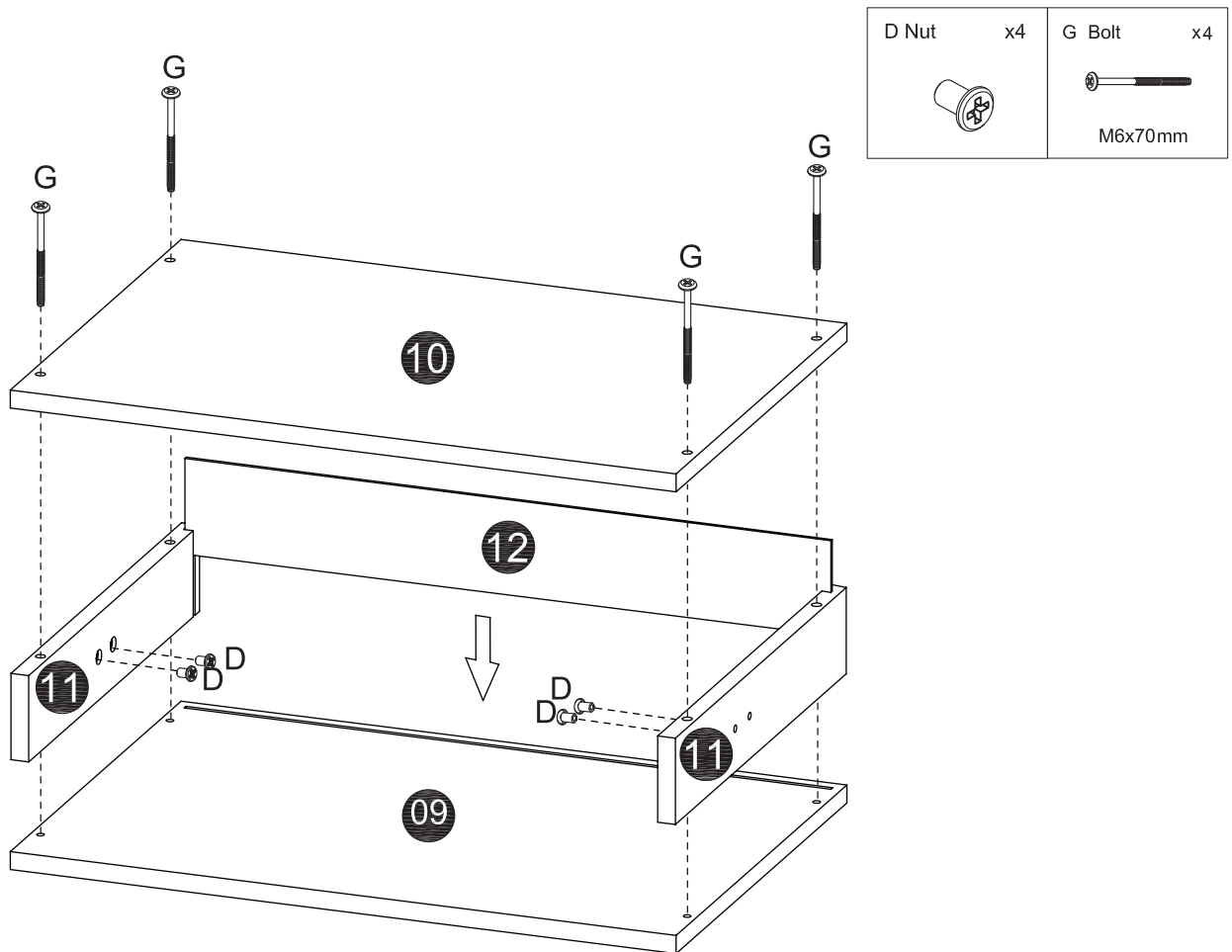
H Corner iron	x2	I Screw	x2
			



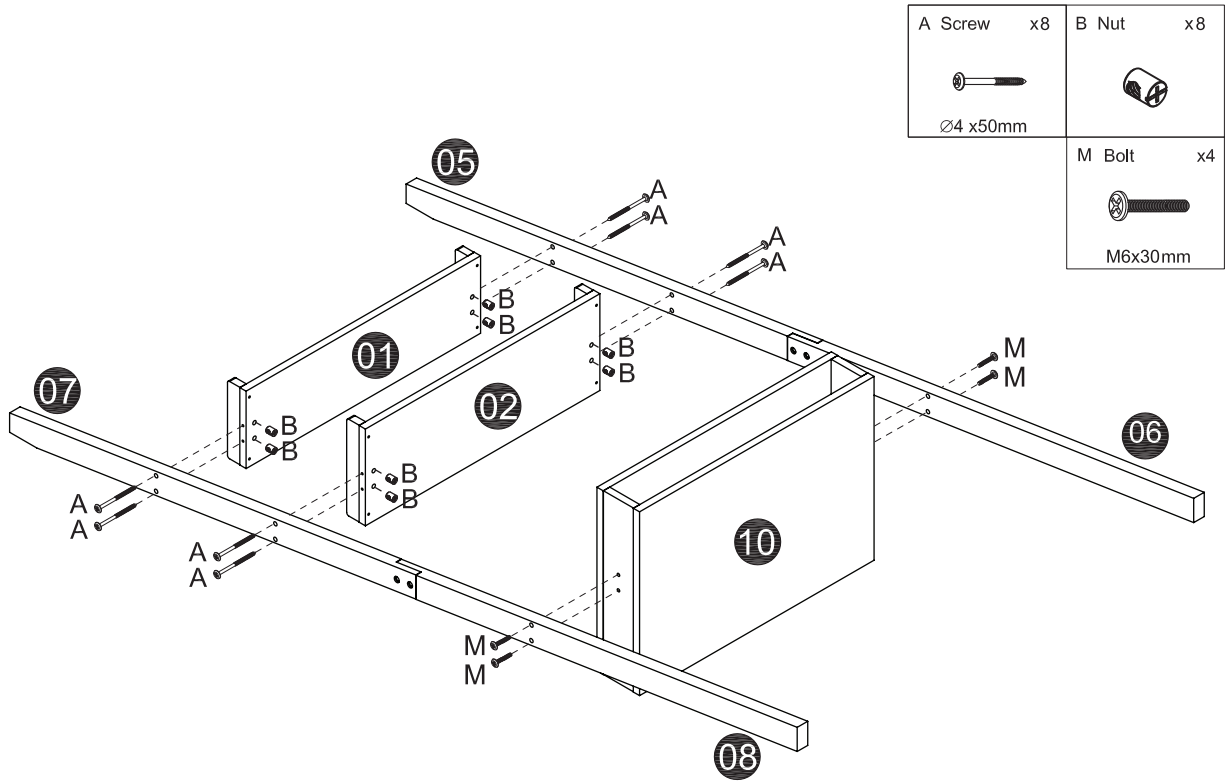
# Step 3



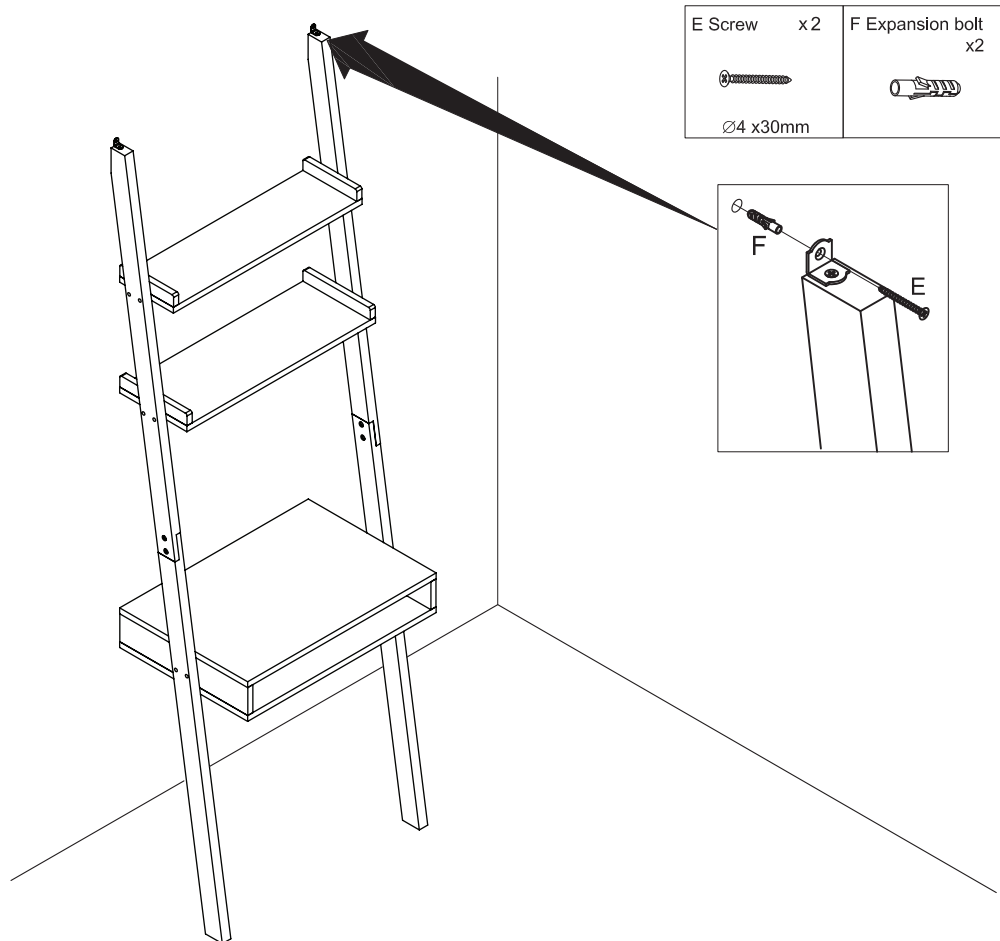
# Step 4





# Step 5

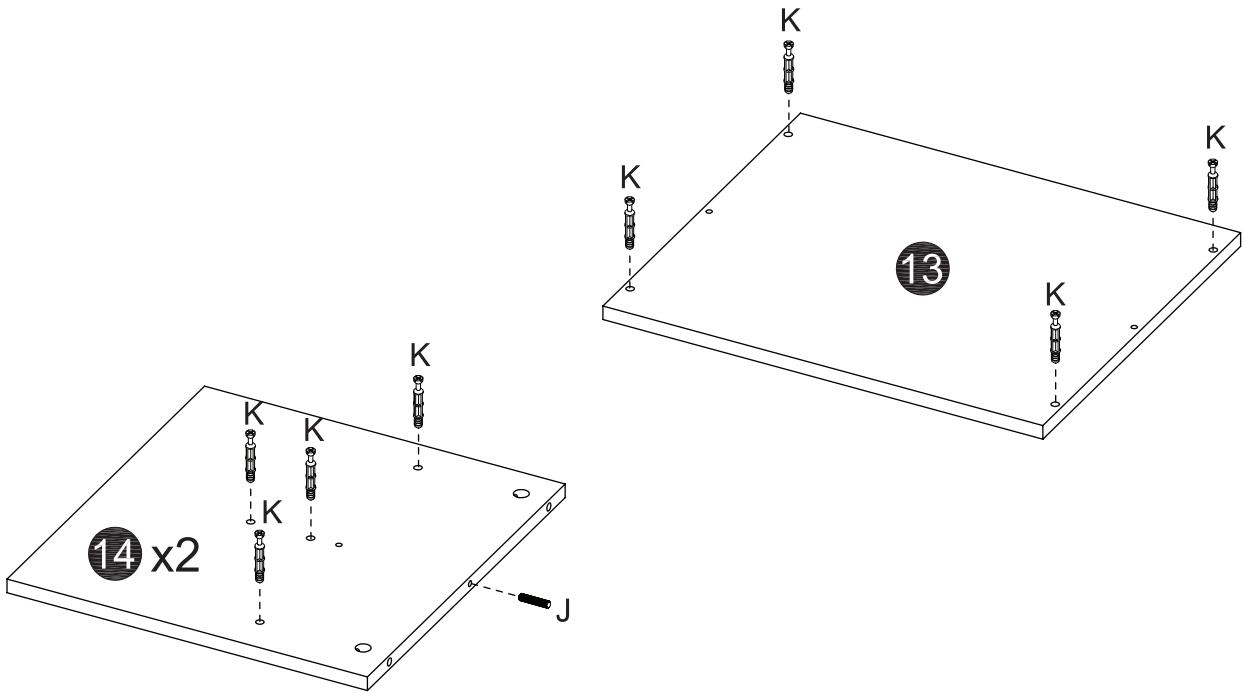


# Step 6





# Step 7

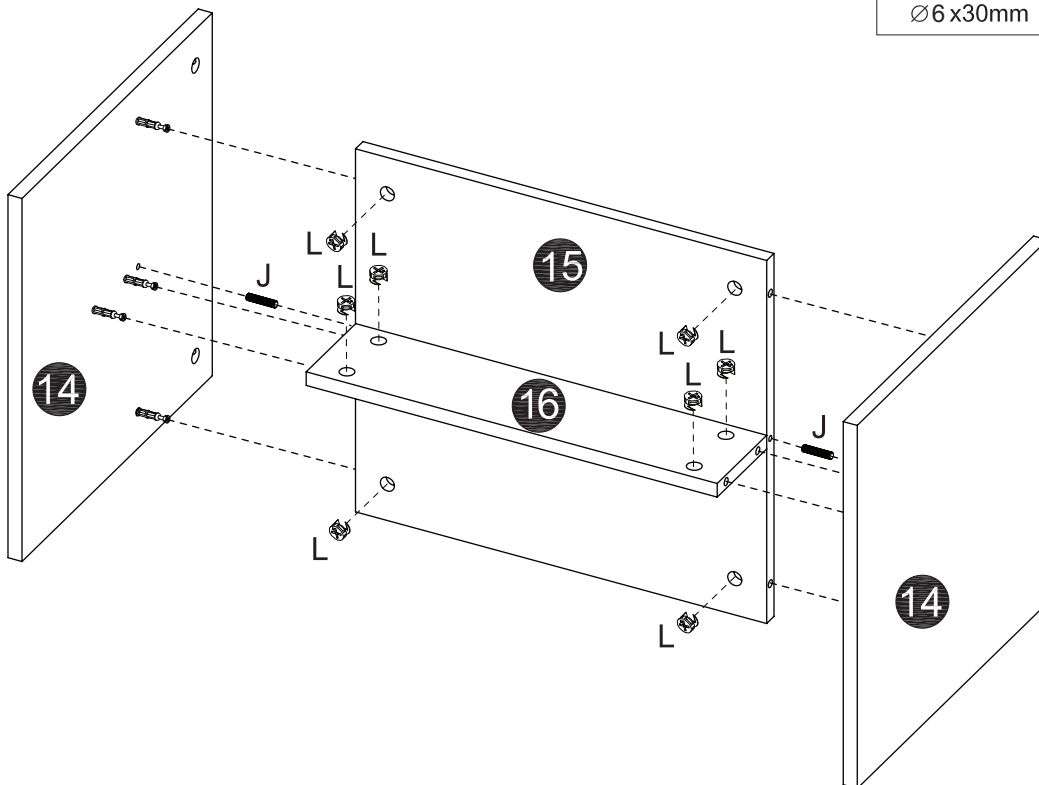
K Cam bolt x12	J Dowel x2
	
	Ø6 x30mm



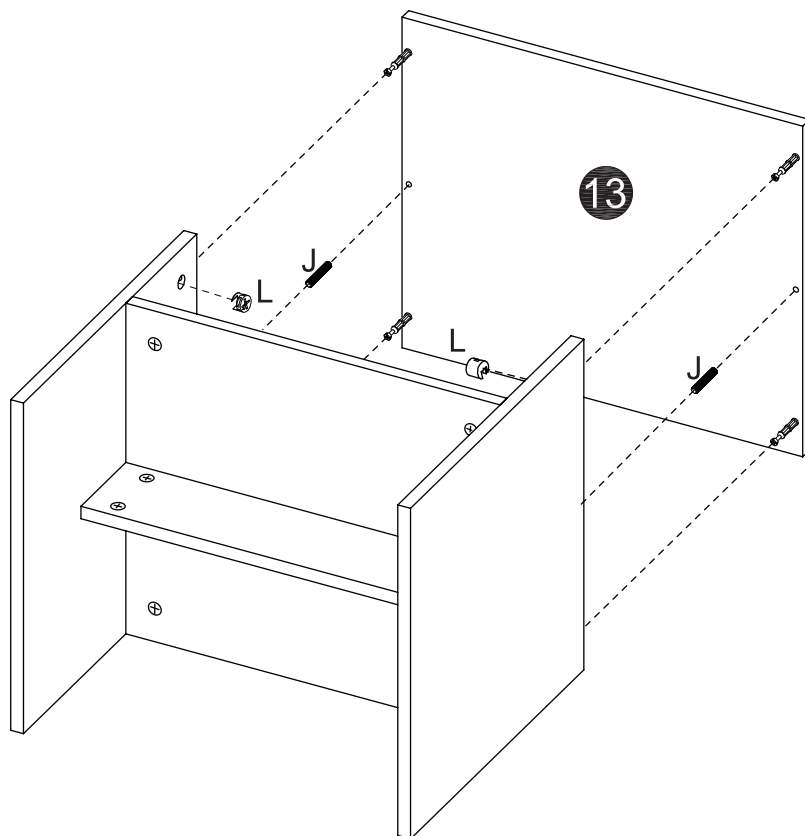
---



# Step 8

J Dowel x2	L Cam lock x8
	
Ø6 x30mm	



## Step 9



J Dowel	x2
	
Ø6 x30mm	
L Cam lock	x4
	

---

## Step 10

