

# GLOBAL PROCUREMENT AND MARKETING LIMITED

## Floating Shelf

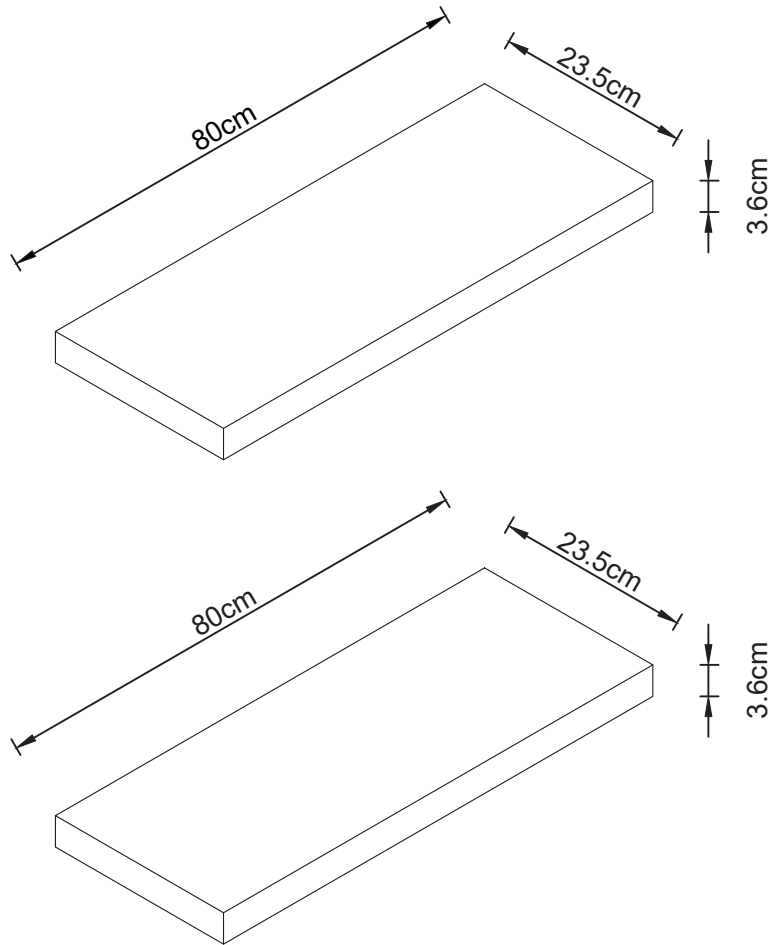
Assembly Instructions – Please keep for future reference

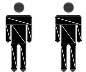
SHFCLMB80

SHFCLMG80

SHFCLMW80

SHFCLSO80



| Dimensions                                    | No. people  | Assembly Time        | SKU #  |
|---|---|----------------------|--|
| Width: 80cm<br>Depth: 23.5cm<br>Height: 3.6cm |  | 30 mins<br>(approx.) | SHFCLMB80<br>SHFCLMG80<br>SHFCLMW80<br>SHFCLSO80 |

*thank you*

For purchasing this  
**GPM Limited**  
product

**Important** - Please read these instructions fully before starting assembly

If you need help or have damaged or missing parts, please email [aftersales@gpmfurniture.co.uk](mailto:aftersales@gpmfurniture.co.uk)

# Safety and Care Advice

**Important - Please read these instructions fully before starting assembly**

- Check you have all the components and tools listed on pages 4 and 5.
- Remove all fittings from the plastic bags and separate them into their groups.
- Keep children and animals away from the work area, small parts could choke if swallowed.
- Make sure you have enough space to lay out the parts before starting.
- Do not stand or put weight on the product, this could cause damage.
- Assemble the item as close to its final position (in the same room) as possible.
- Assemble on a soft, level surface to avoid damaging the unit or your floor.
- We do not recommend the use of power drill/drivers for inserting screws, as this could damage the unit. Only use hand screwdrivers.
- Dispose of all packaging carefully and responsibly.



## Warnings

### CHILD SAFETY



### ANCHOR AND PROTECT A CHILD Use of anti-tip kit is required

- Place heaviest items in the lowest drawers.
- Useless specifically designed to accommodate, do not set TVs or other heavy objects on top of this product.
- Never allow children to climb or hang on drawers, doors or shelves.
- Never open more than one drawer at a time.
- Do not defeat or remove the drawer interlock system.
- Use of tip-over restraints may only reduce, but not eliminate, the risk of tip-over.

**CLIMBING MAY RESULT IN SERIOUS INJURY**

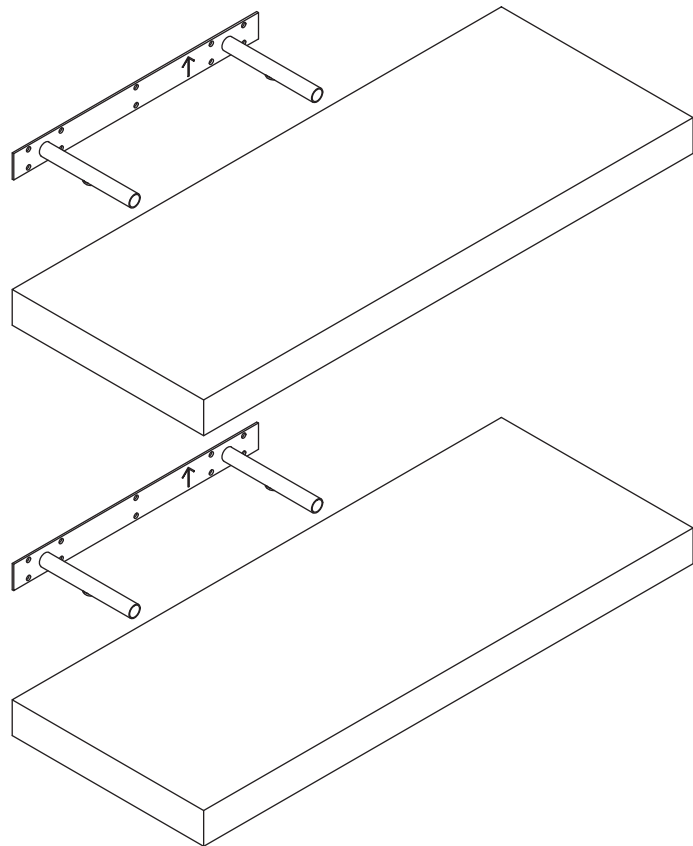
## Care and Maintenance

- Only clean using a damp cloth and mild detergent, do not use bleach or abrasive cleaners.
- From time to time check that there are no loose screws on this unit.
- This product should not be discarded with household waste. Take to your local authority waste disposal centre.

**If you are unhappy with the product and wish to return it, please follow the retailer's returns procedure.**

# Exploded View

If you have damaged or missing components,  
email: [aftersales@gpmfurniture.co.uk](mailto:aftersales@gpmfurniture.co.uk)






# Components - Fixings

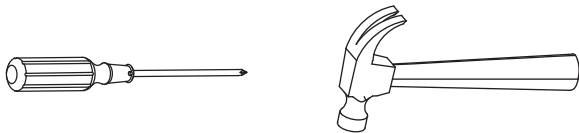
If you have damaged or missing components,  
email: [aftersales@gpmfurniture.co.uk](mailto:aftersales@gpmfurniture.co.uk)

**Please check that you have all the components listed below before constructing your item.**

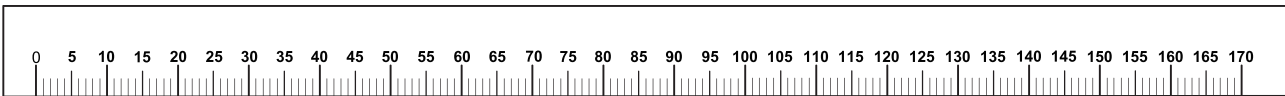
**Note:** The quantities below are the correct amount to complete the assembly. In some cases more fittings may be supplied than are required.

| (A) | <br>8pcs | (B) | <br>8pcs | (C) | <br>4pcs | (D) |  |
|-----|---|-----|---|-----|--|-----|--|
|     |   |     |   |     |  |     |  |
|     |   |     |   |     |  |     |  |
|     |   |     |   |     |  |     |  |
|     |   |     |   |     |  |     |  |
|     |   |     |   |     |  |     |  |

**Tools Required**



**Ruler - Use this to measure your screws (mm)**



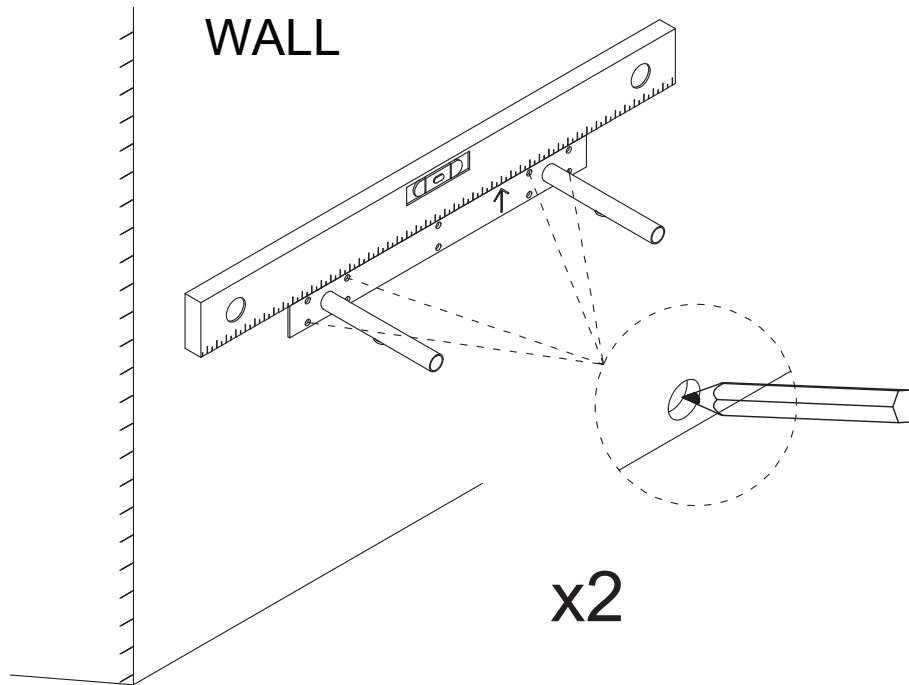
**Important - Please read these instructions fully before starting assembly**

If you need help or have damaged or missing parts, please email [aftersales@gpmfurniture.co.uk](mailto:aftersales@gpmfurniture.co.uk)

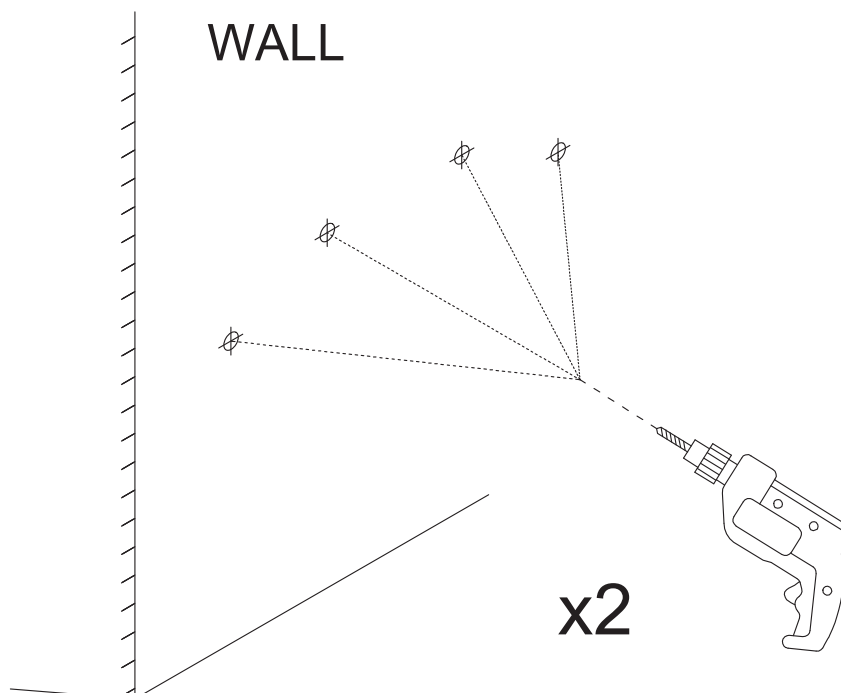
# Assembly Instructions

If you have damaged or missing components,  
email: [aftersales@gpmfurniture.co.uk](mailto:aftersales@gpmfurniture.co.uk)

## Step 1



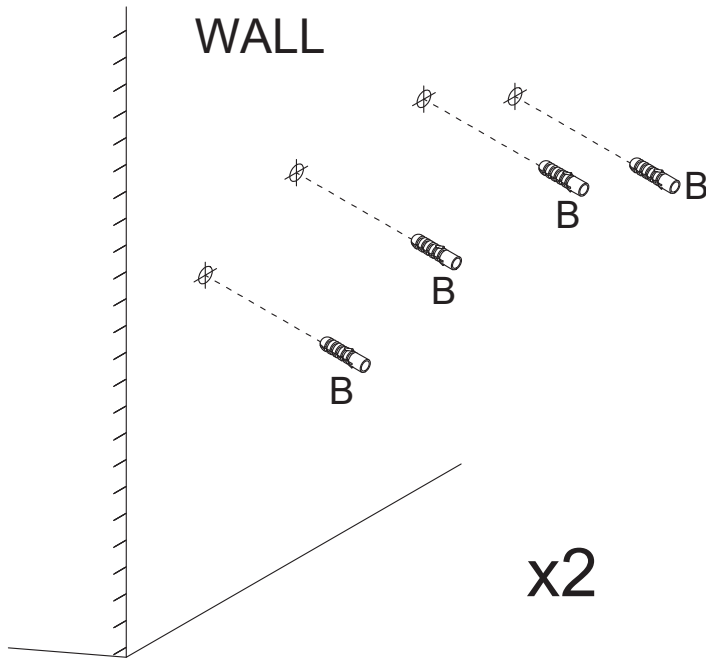
## Step 2



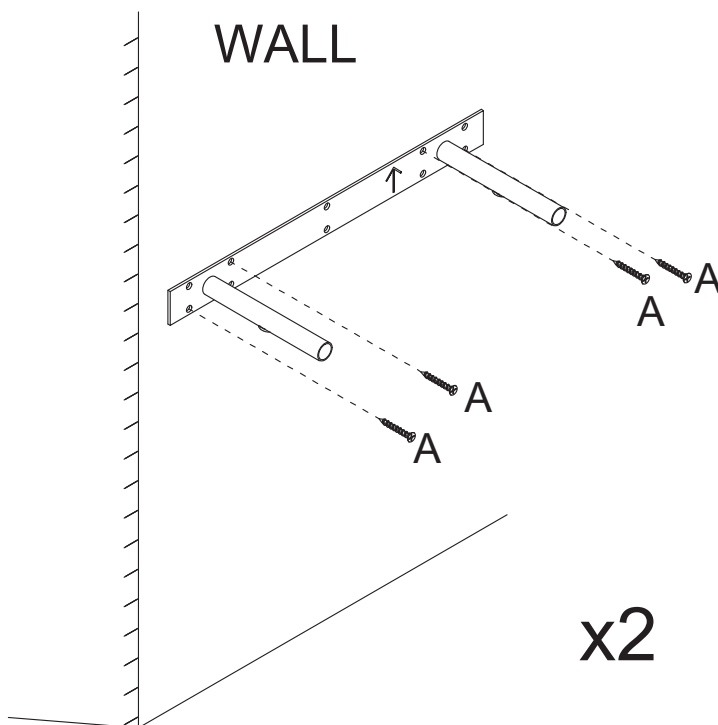
# Assembly Instructions

If you have damaged or missing components,  
email: [aftersales@gpmfurniture.co.uk](mailto:aftersales@gpmfurniture.co.uk)

## Step 3



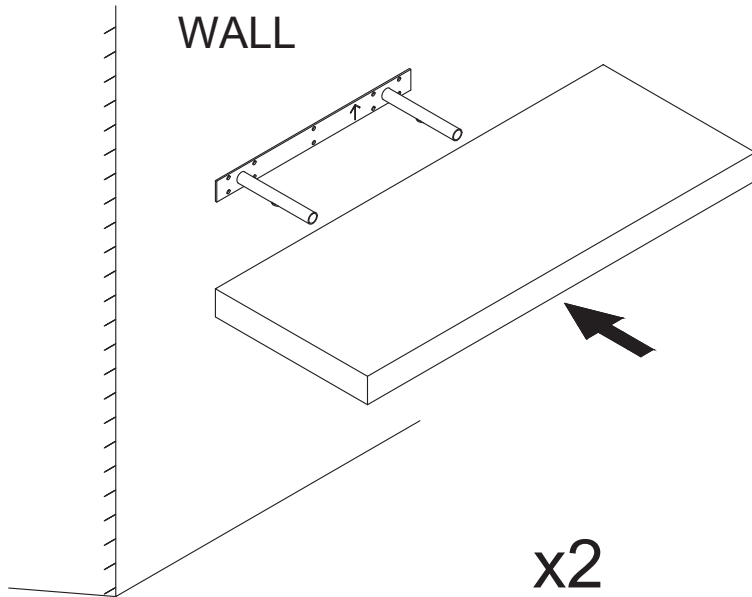
## Step 4



# Assembly Instructions

If you have damaged or missing components,  
email: [aftersales@gpmfurniture.co.uk](mailto:aftersales@gpmfurniture.co.uk)

## Step 5



## Step 6

