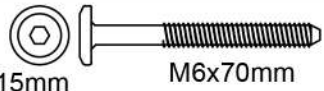


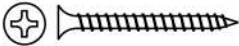

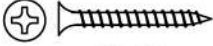

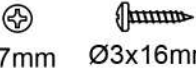



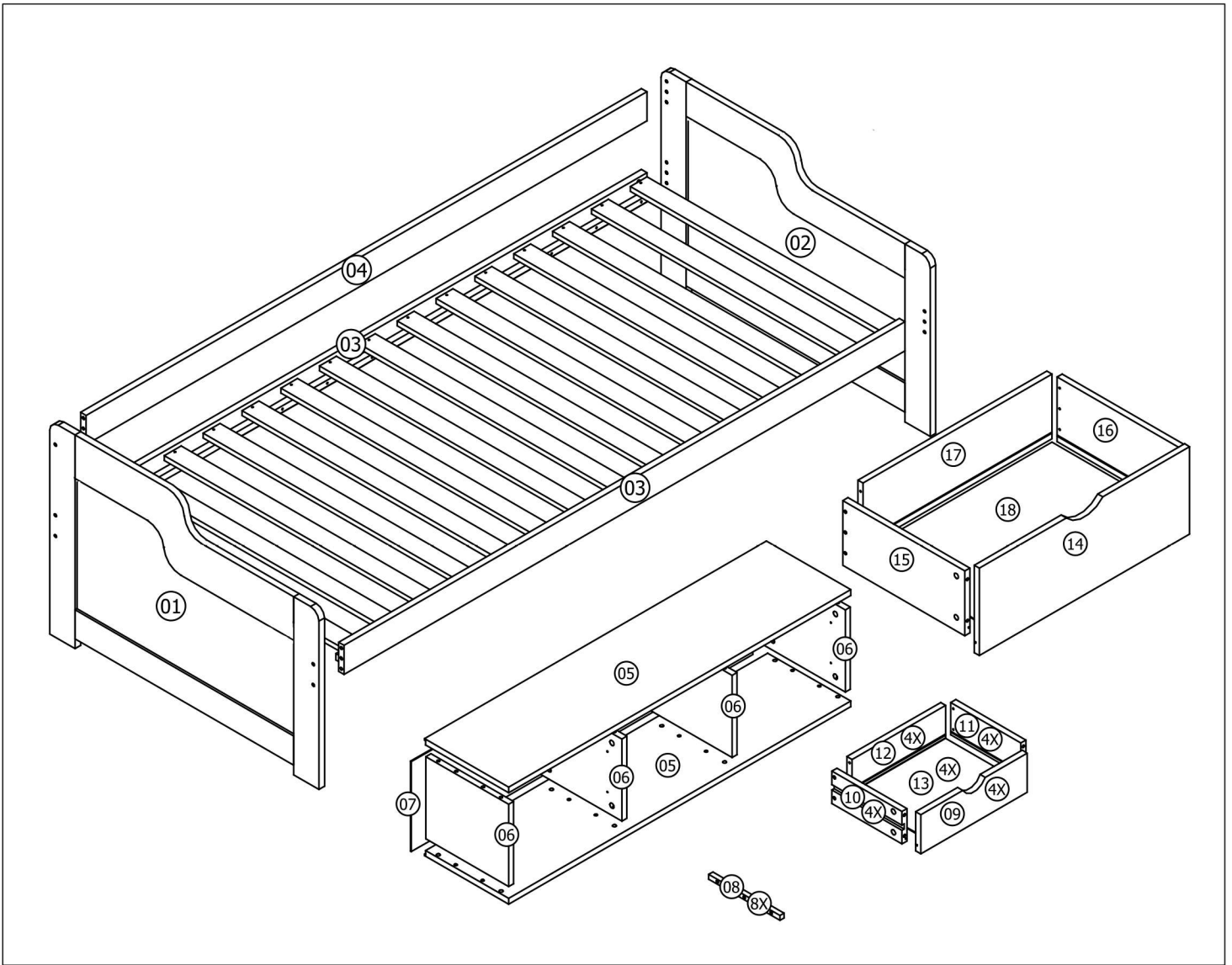


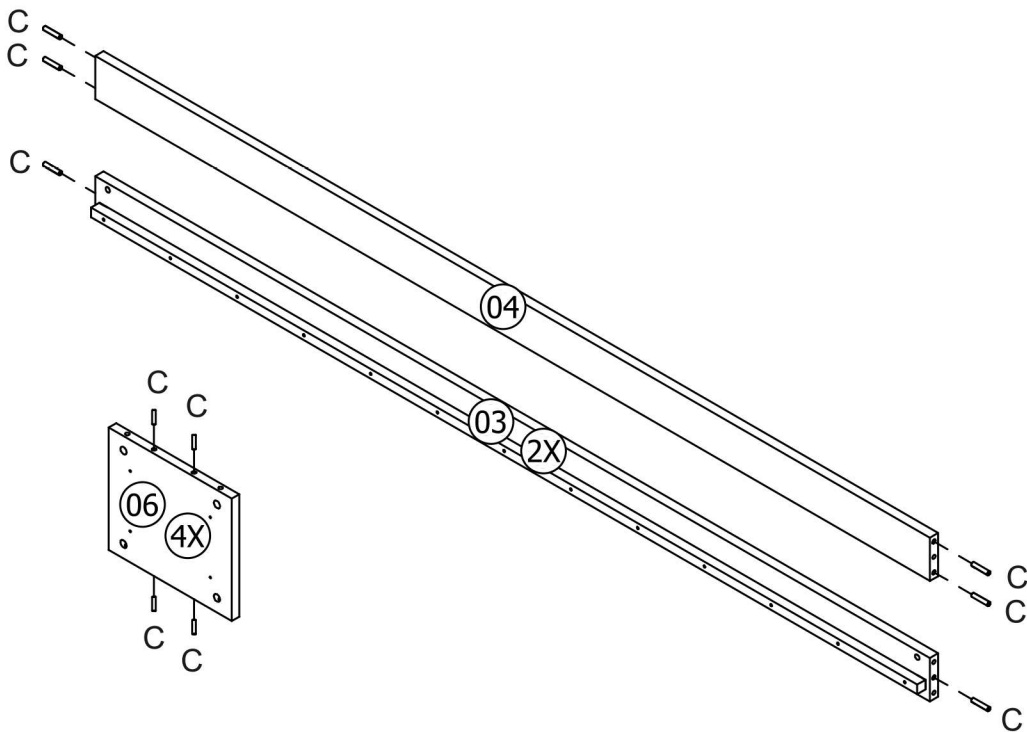
# HARDWARE


A	 15mm M6x70mm	10
B		10
C	 Ø8x30mm	24
D	 8mm Ø4x30mm	44
E		01
F	 8mm Ø4x25mm	24

G		04
H	 7mm Ø3x16mm	08
I		36
J		36
K		22

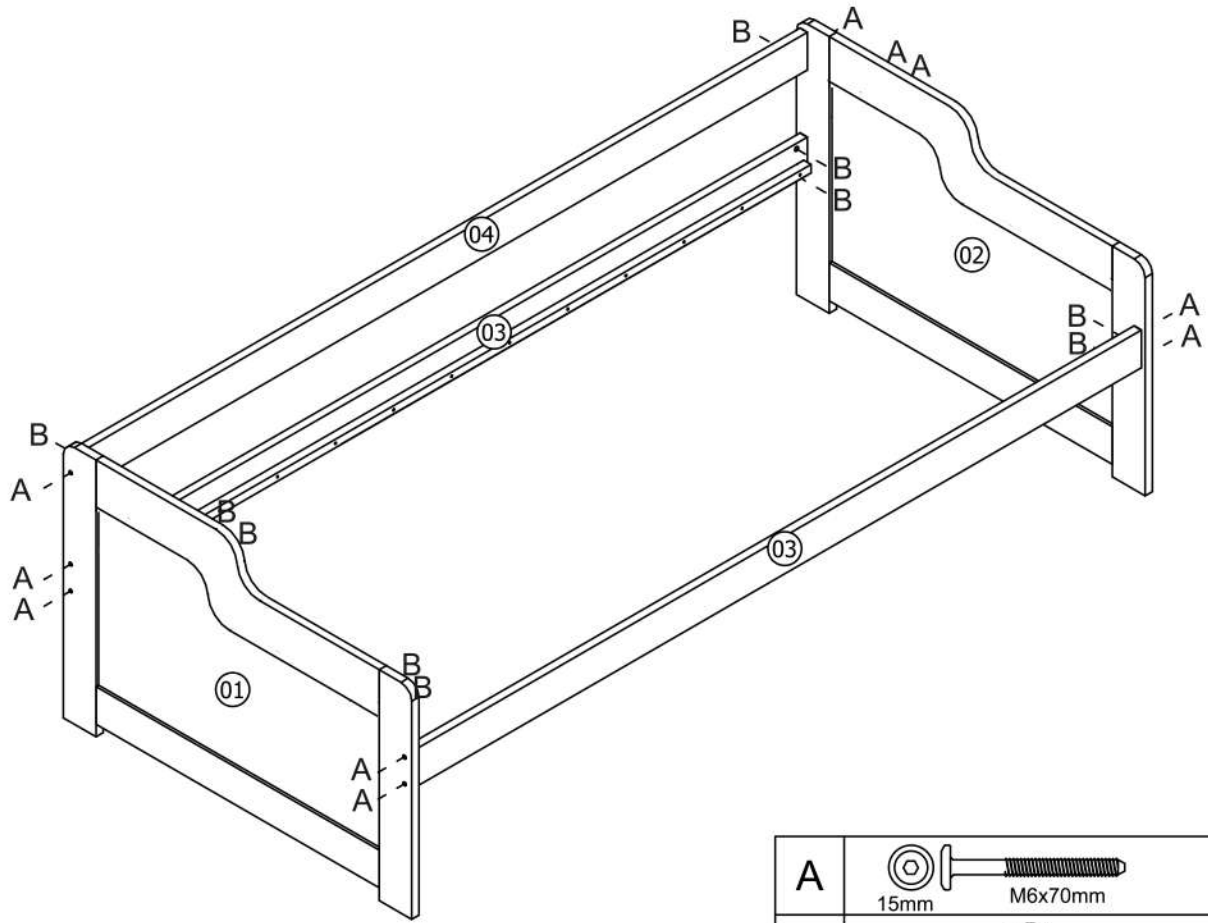




# 01



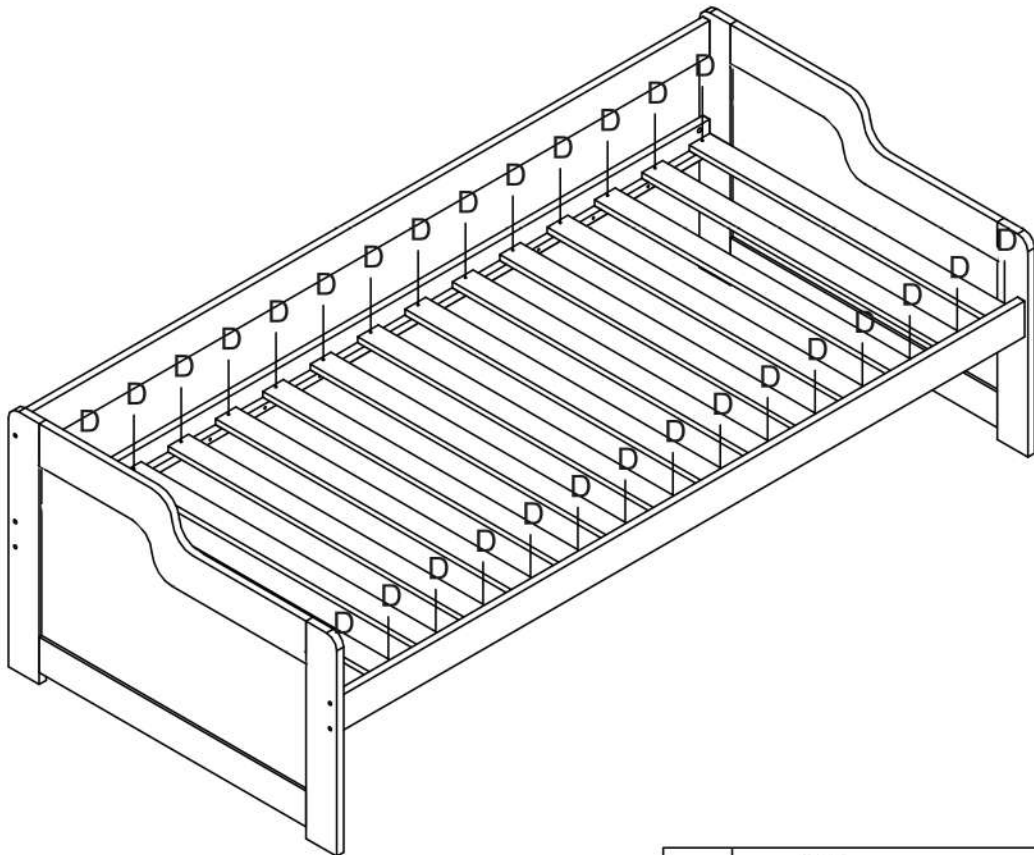
C	 Ø8x30mm	24
---	--	----


# 02



A	 M6x70mm	10
B		10

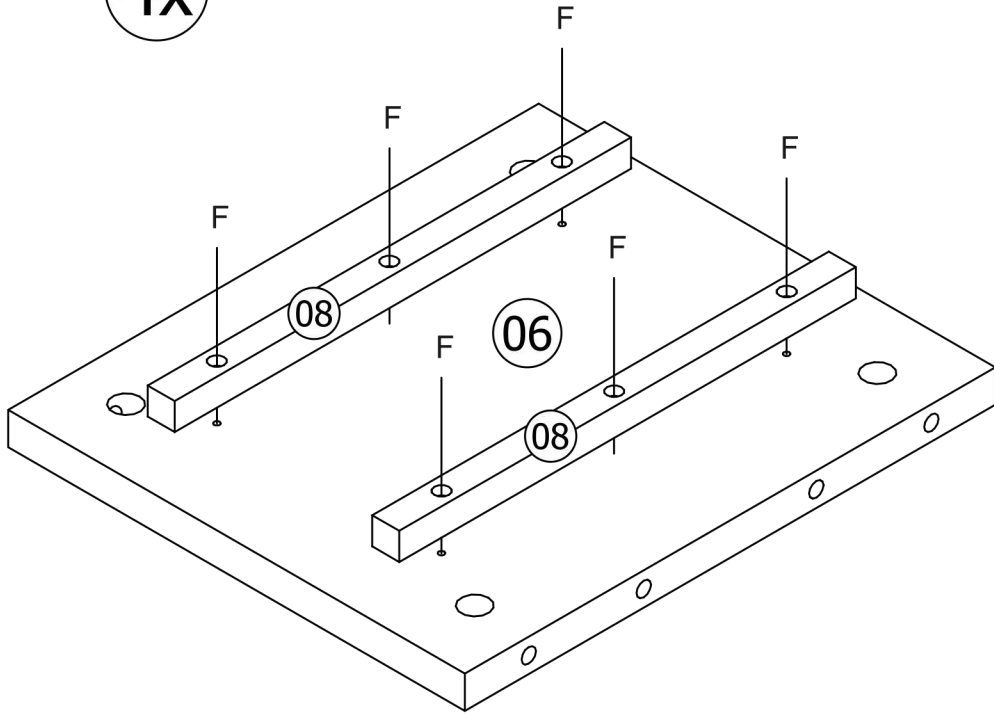
# 03

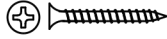


D	 Ø4x30mm	24
---	---	----

# 04

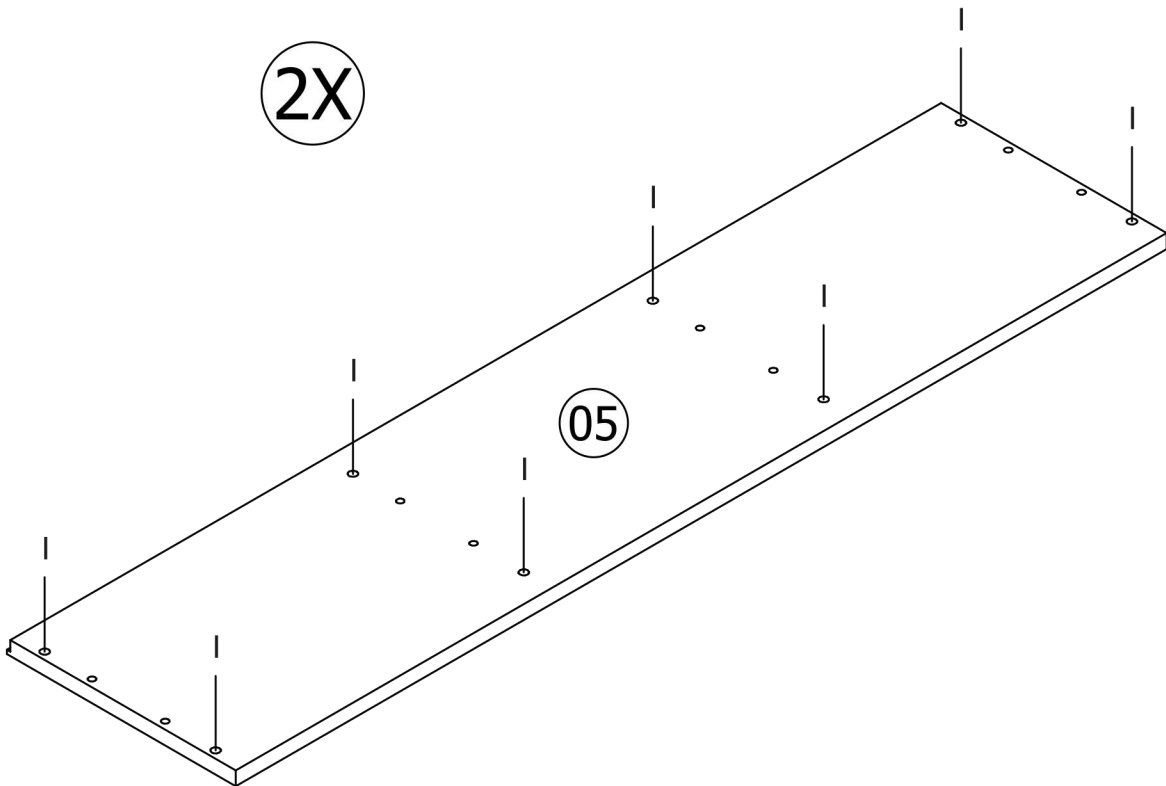
4x




F	 8mm Ø4x25mm	24
---	--	----

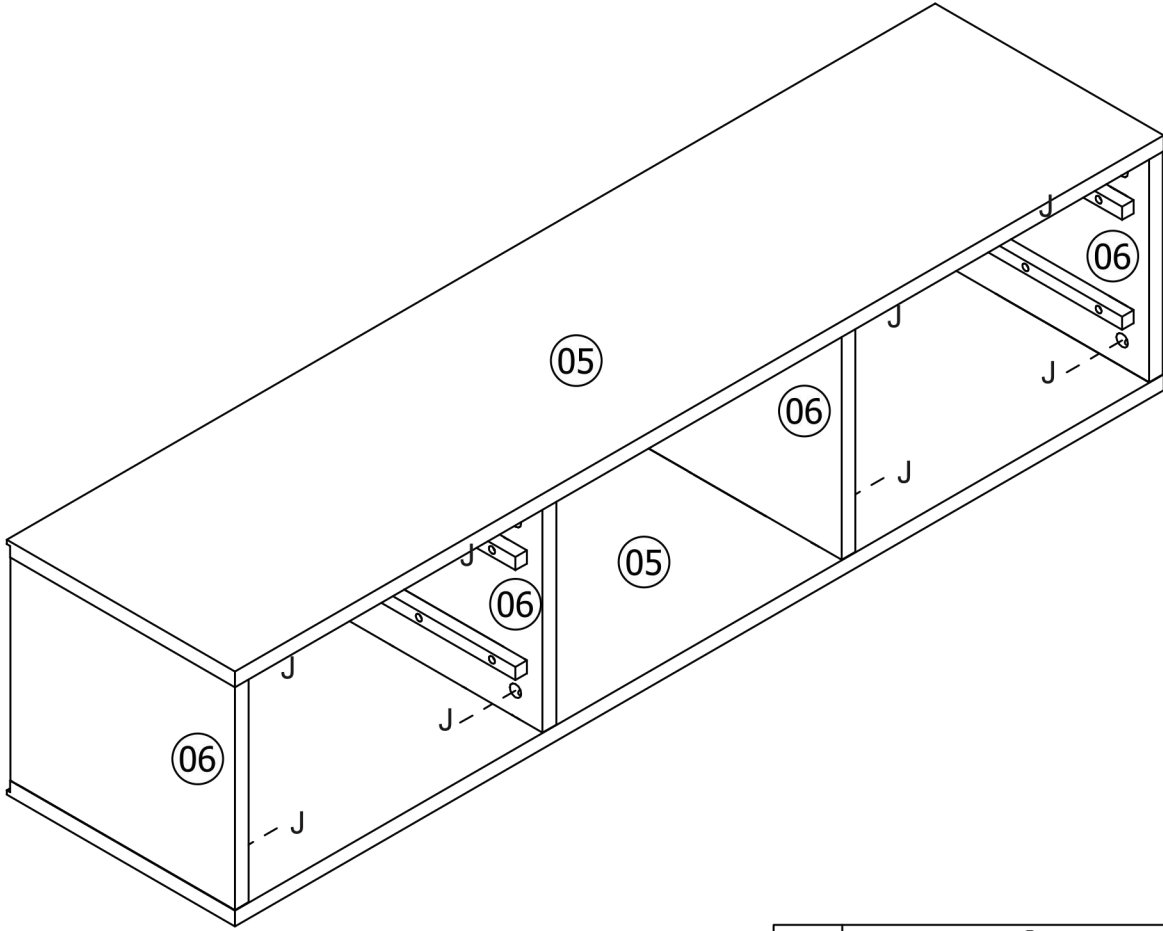
# 05

2x



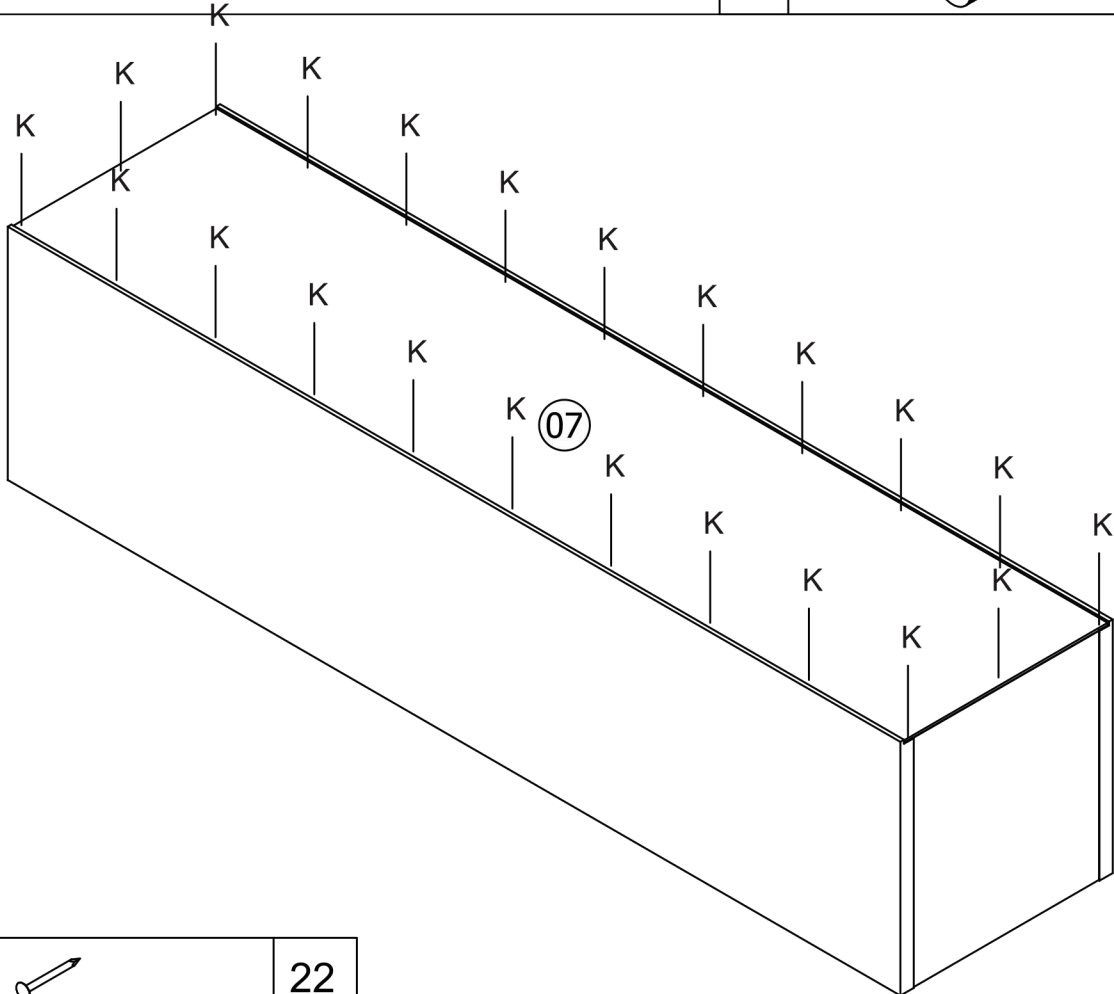
I		16
---	---	----


06



J		16
---	---	----

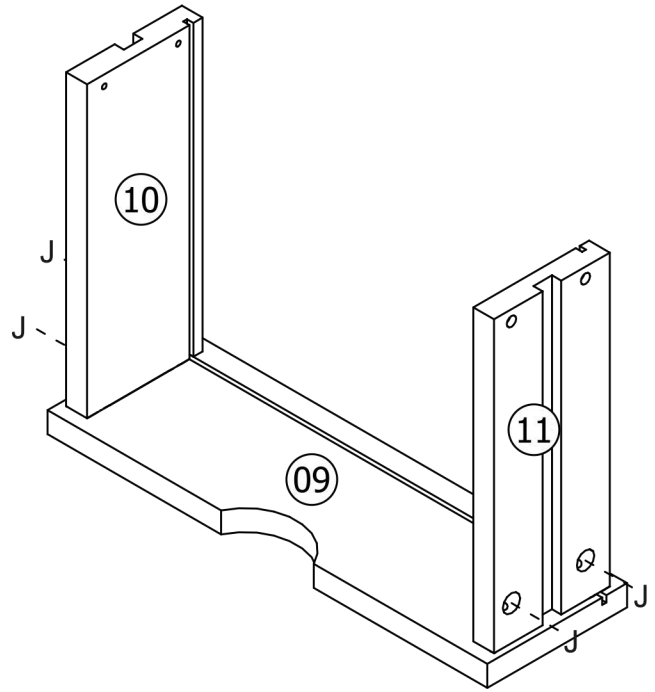
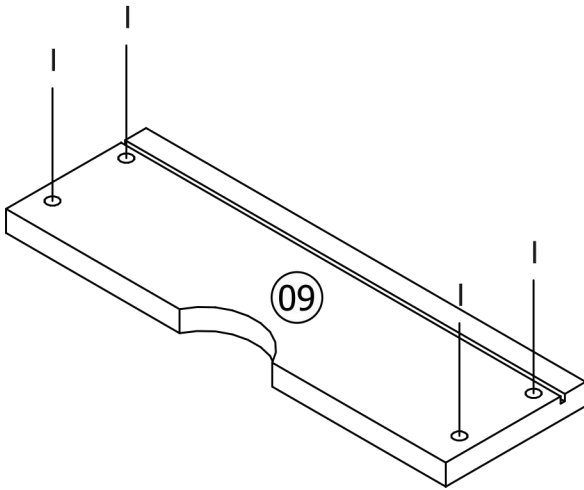
07





K		22
---	---	----

# 08

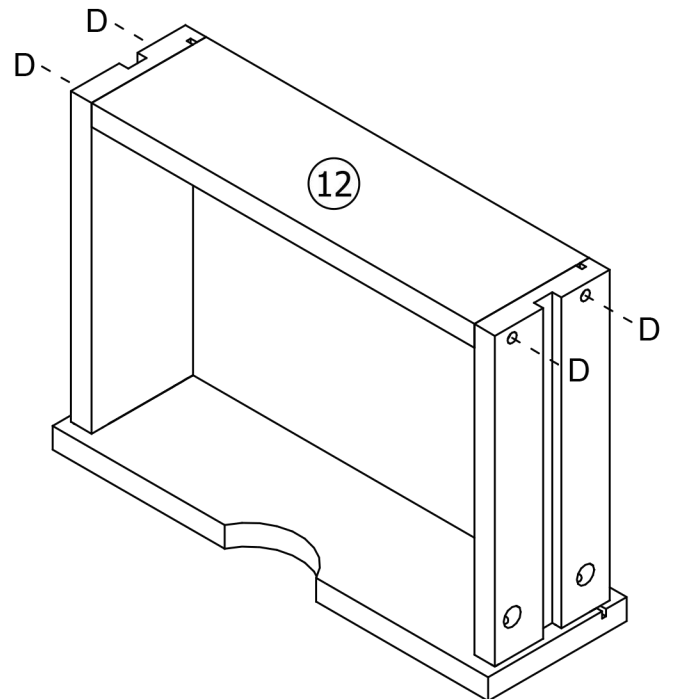
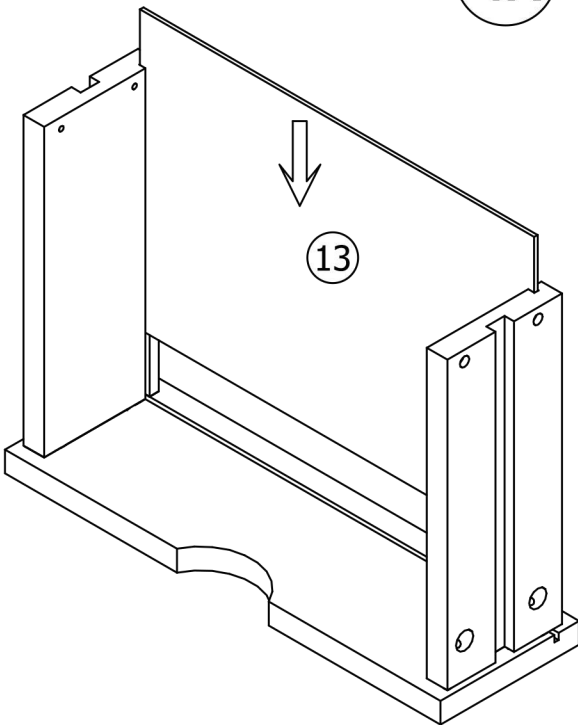
4x

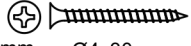


I		16
J		16

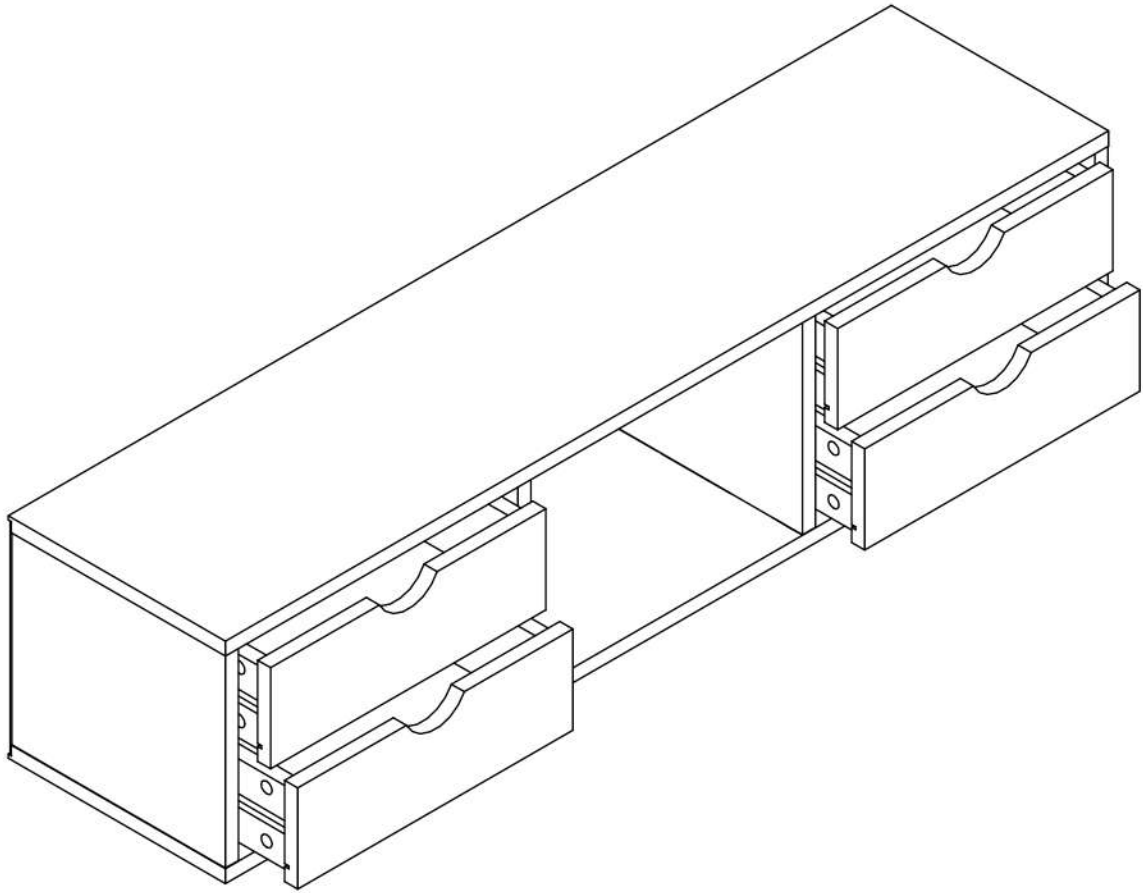
# 09

4x

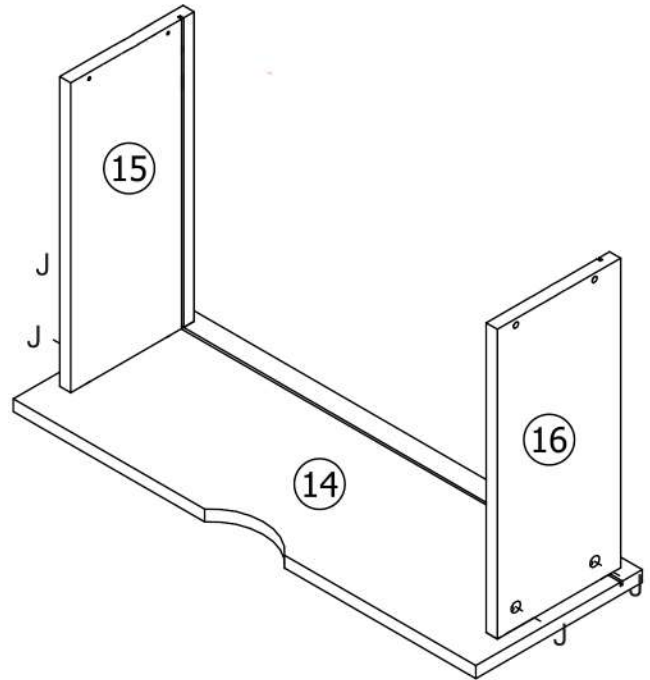
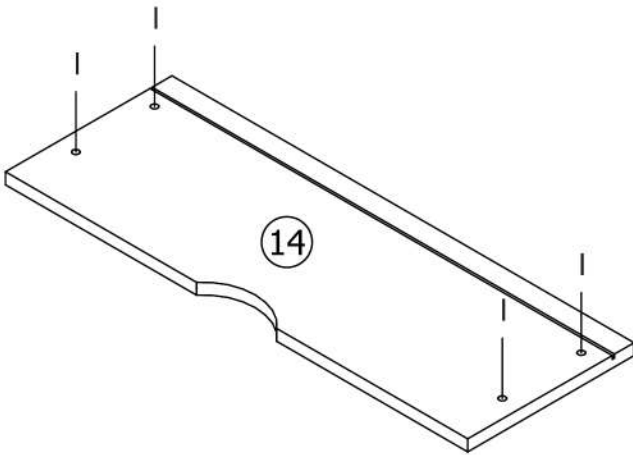




D	 8mm Ø4x30mm	16
---	--	----

10

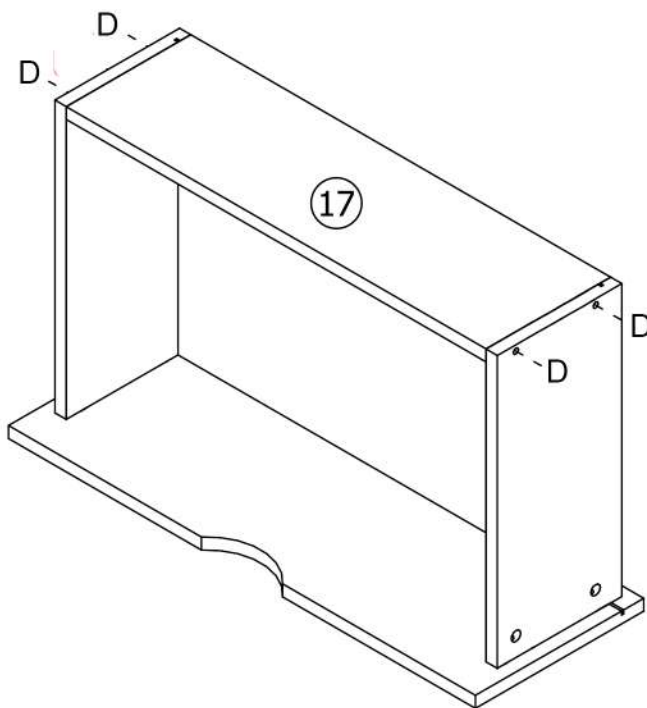
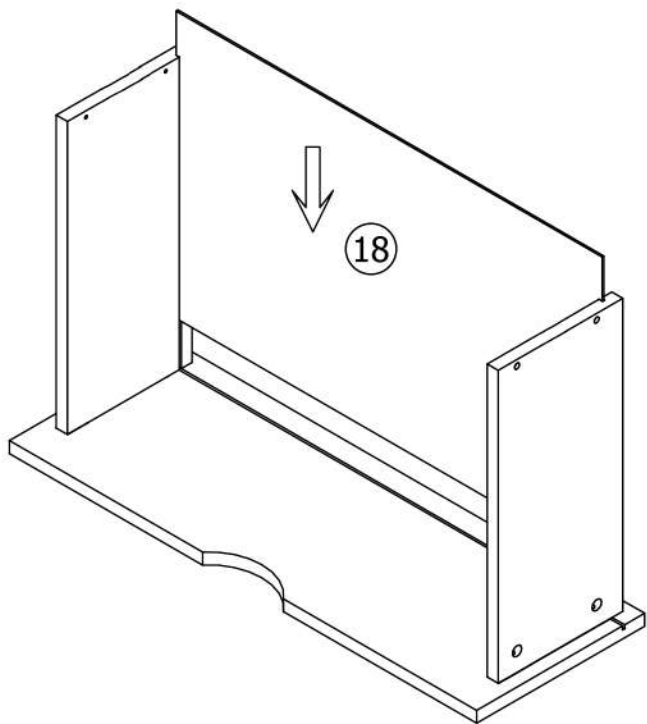


11



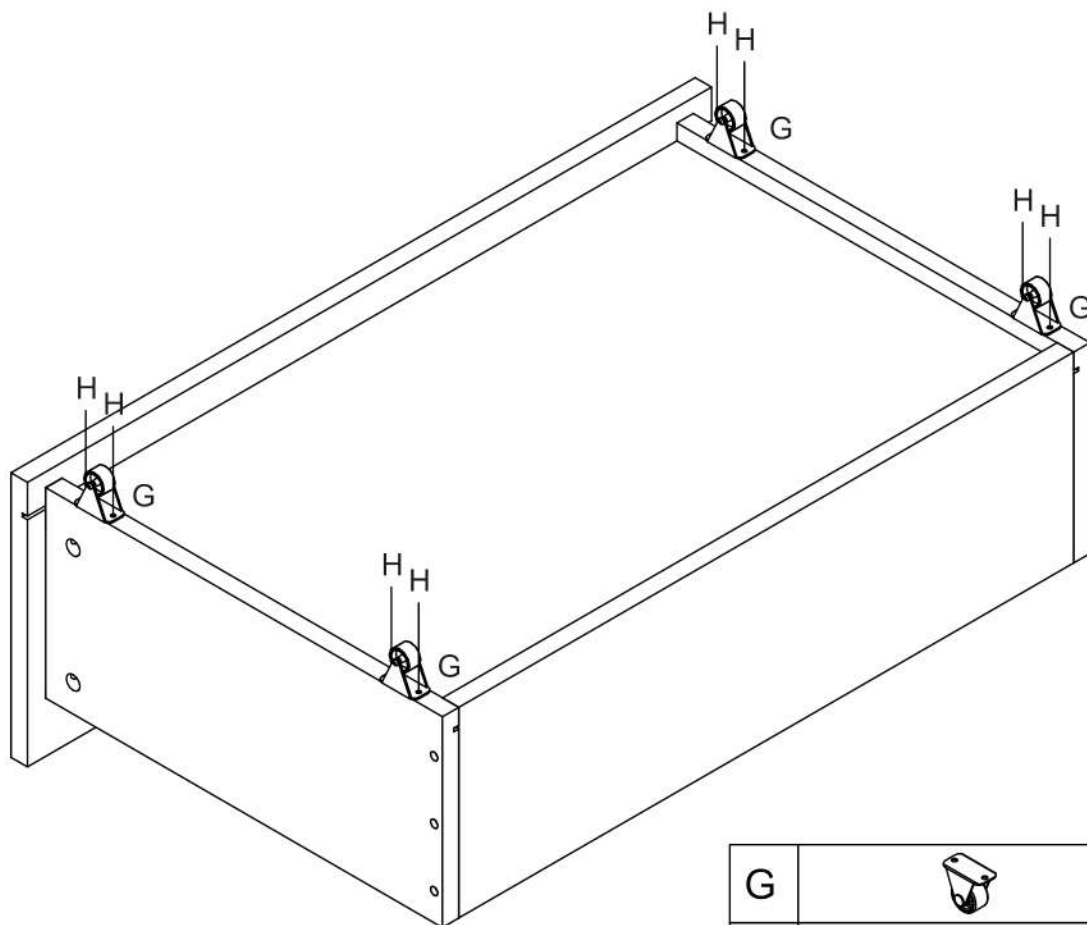
I		04
J		04



# 12



D	 8mm Ø4x30mm	04
---	---	----

# 13



G		04
H	 7mm Ø3x16mm	08

14

