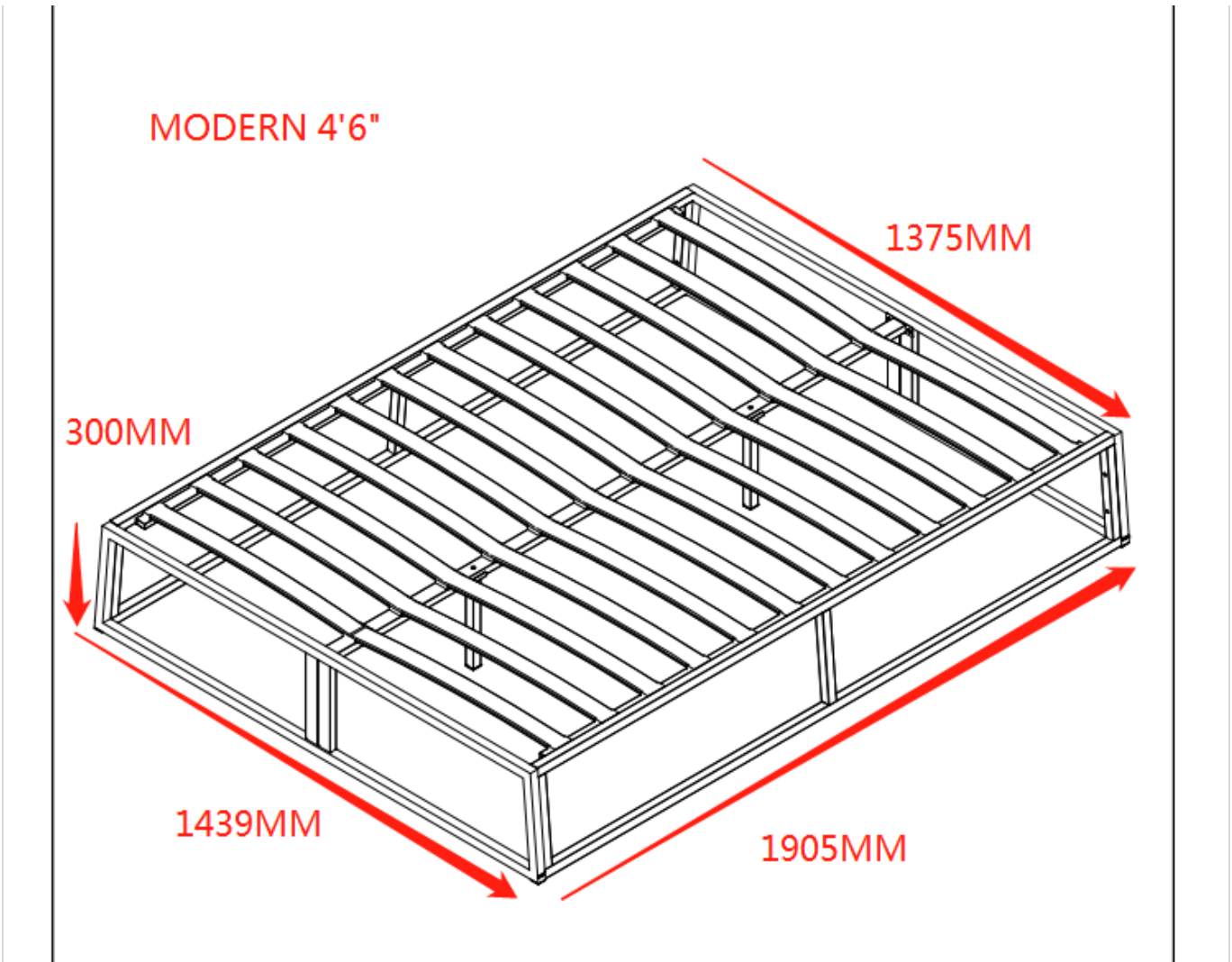


GLOBAL PROCUREMENT AND MARKETING LIMITED

MODERN METAL PLATFORM BED BASE (4FT 6)


Assembly Instructions – Please keep for future reference

BEDPLA46B



thank you

For purchasing this
GPM Limited
product


	No. people	Assembly Time	OW #
Width: 143.9 cm Length: 190.5 cm Height: 30 cm		30 mins (approx.)	BEDPLA46B

Important – Please read these instructions fully before starting assembly


If you need help or have damaged or missing parts, please email aftersales@gpmfurniture.co.uk

Safety and Care Advice

Important – Please read these instructions fully before starting assembly

- Check you have all the components, parts, hardware and tools listed on pages 3, 4 & 5.
- Remove all fittings from the plastic bags and separate them into their groups.
- Keep children and animals away from the work area, small parts could choke if swallowed.
- Make sure you have enough space to lay out the parts before starting.
- Do not stand or put weight on the product, this could cause damage.
- Assemble the item as close to its final position (in the same room) as possible.
- Assemble on a soft, level surface to avoid damaging the unit or your floor.
- We do not recommend the use of power drill/drivers for inserting screws, as this could damage the unit.  Only use hand screwdrivers.
- Dispose of all packaging carefully and responsibly.

HELPFUL HINTS

- Please read through the assembly instructions thoroughly before you begin.
- Check all fittings and panels against the parts list to ensure that you have everything before you start. In the unlikely event that any parts are missing, please contact your retailer immediately.
- Remove all fittings from the plastic bags and separate them into their groups in a bowl or other container to stop any small parts being lost.
- Do not use any tool that's not listed in these assembly instructions. The use of power tools is NOT advised, this could damage your product and cause over tightening to occur.
- Assemble the item as close to its final position (in the same room) as possible.
- Make sure you have enough space to layout the parts before starting.
- Assemble on a soft level surface to avoid damaging the unit or your floor.
- Parts of the assembly will be easier with 2 people. Look for this logo 
- Check you have all the components and tools listed on the next page.

SAFETY

- Keep children and animals away from the work area, small parts could cause choking if swallowed.
- Dispose of all packaging carefully and responsibly.

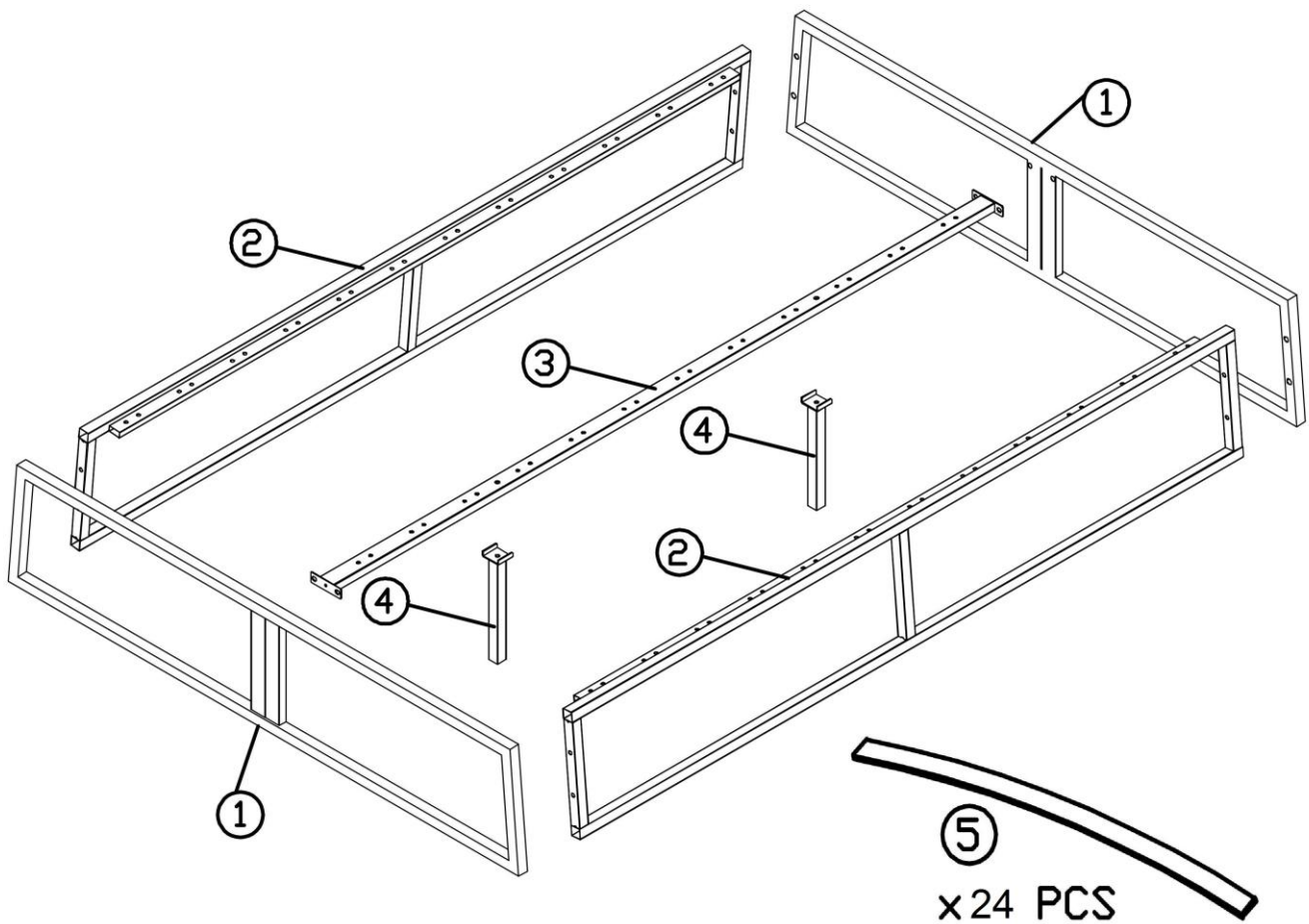
Care and Maintenance

- Only clean using a damp cloth and mild detergent, do not use bleach or abrasive cleaners.
- From time to time check that there are no loose screws on this unit.
- This product should not be discarded with household waste. Take to your local authority waste disposal centre.

If you are unhappy with the product and wish to return it, please follow the retailer's returns procedure.

Components – Part List

If you have damaged or missing components,
email: aftersales@gpmfurniture.co.uk



please check that you have all the components listed below before constructing your item.




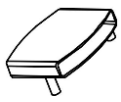
Part No	Description	Qty
1	HEAD & FOOT PANEL	2
2	SIDE PANEL	2
3	CENTRE SUPPORT RAIL	1
4	CENTRE SUPPORT LEG	2
5	SPRUNG WOOD SLAT	24

Components - Fixings

If you have damaged or missing components,
email: aftersales@gpmfurniture.co.uk

Please check that you have all the hardware & tools listed below before constructing your item.

Note: The quantities below are the correct amount to complete the assembly. In some cases more fittings may be supplied than are required.

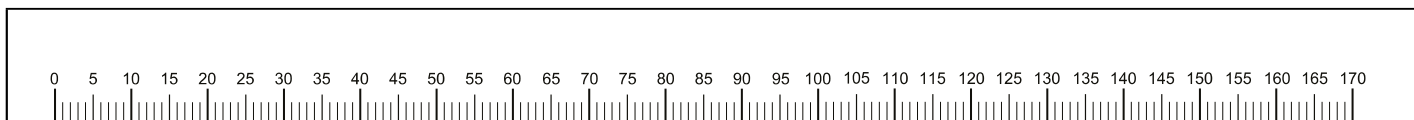
(A)	 Bolt M8 x 10mm X10	(B)	 Bolt M8 x 20mm X4	(C)	 Plastic Slat End Cap X24	(D)	 Plastic Slat Centre Cap X12
------------	------------------------------------------------------------------------------------------------------------	------------	-----------------------------------------------------------------------------------------------------------	------------	----------------------------------------------------------------------------------------------------------------------	------------	--------------------------------------------------------------------------------------------------------------------------

Tools Required



Allen Key M5

Scale Ruler – Use this to measure your screws (mm) (Actual Ruler Not Provided)



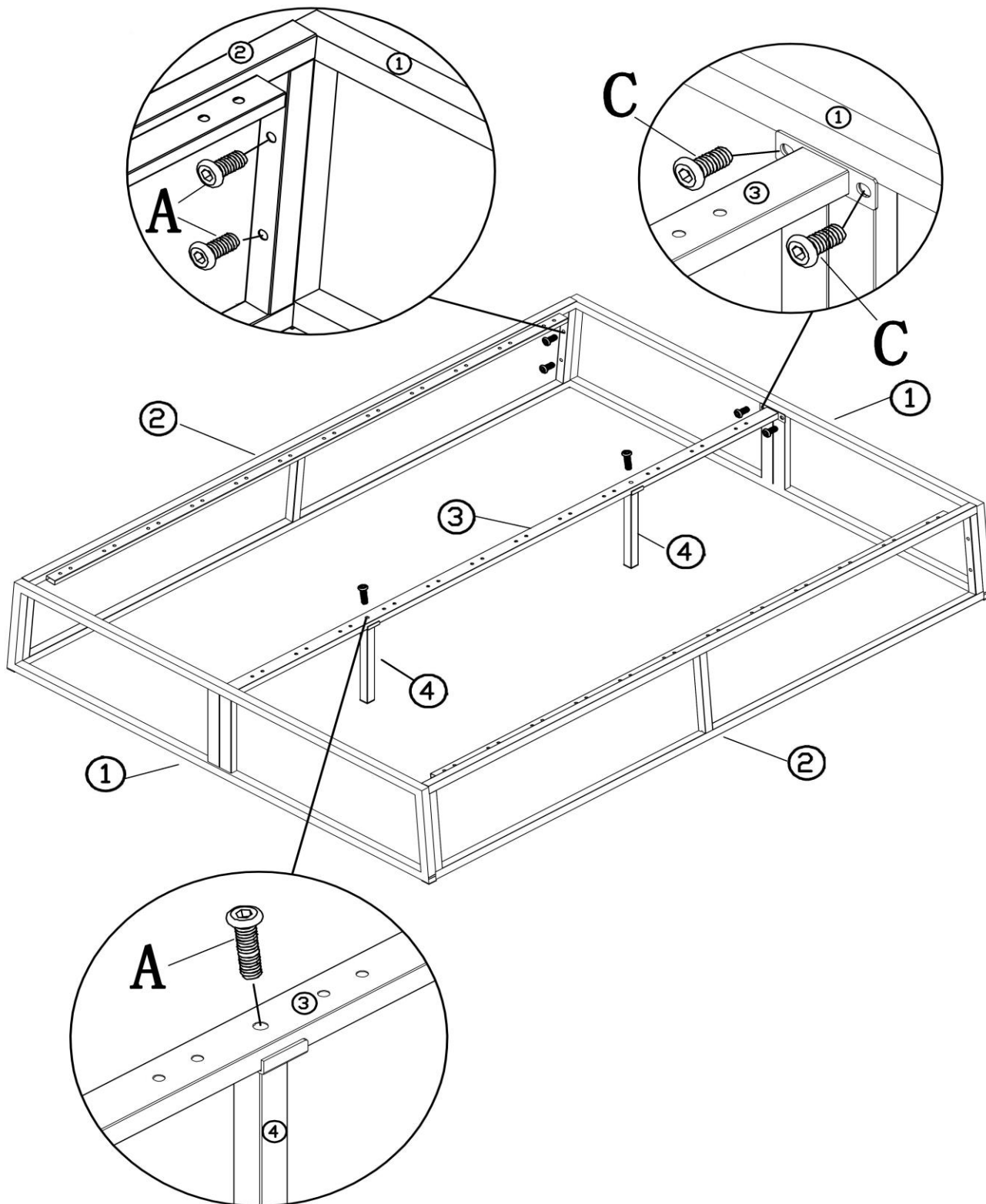
Important – Please read these instructions fully before starting assembly

If you need help or have damaged or missing parts, please email aftersales@gpmfurniture.co.uk

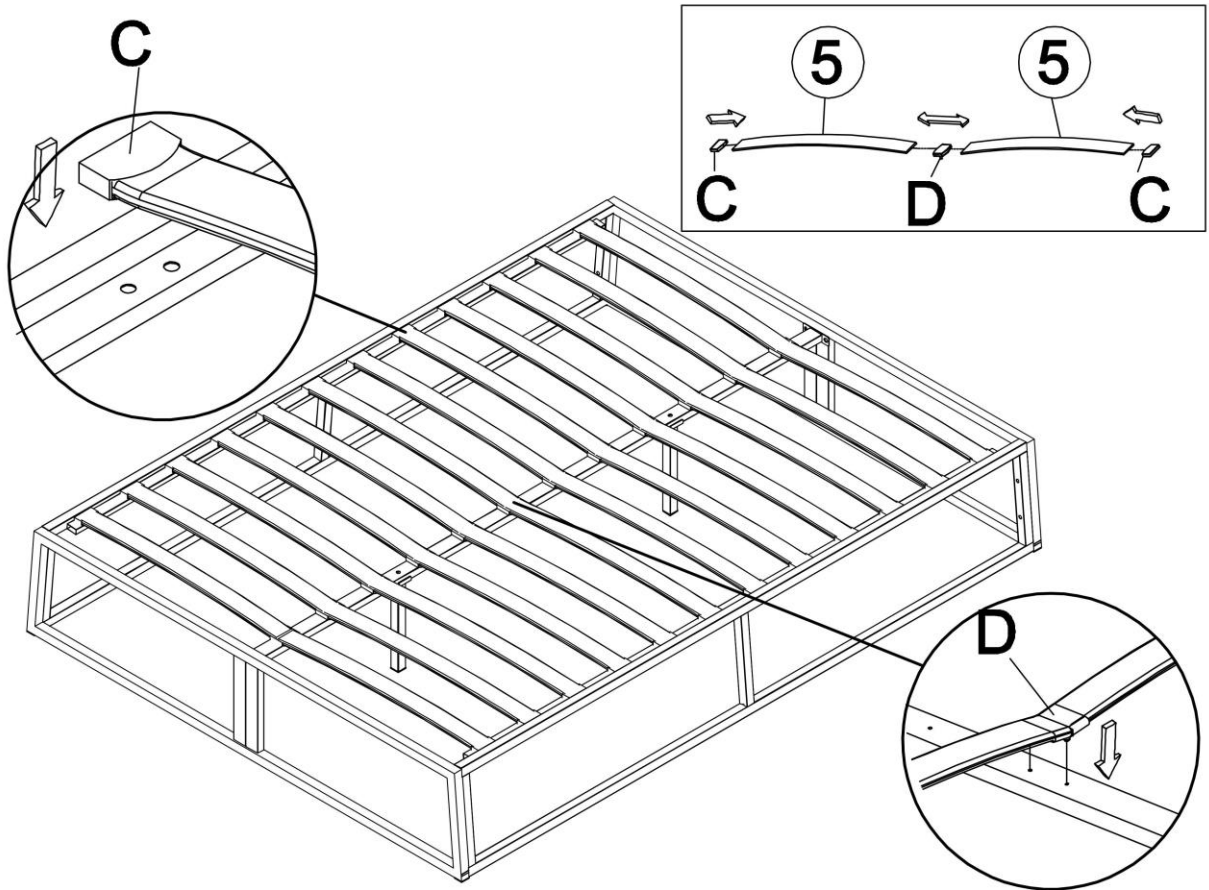
Assembly Instructions

If you have damaged or missing components, email: aftersales@gpmfurniture.co.uk

STEP : 1



STEP:2



ASSEMBLY COMPLETE

