

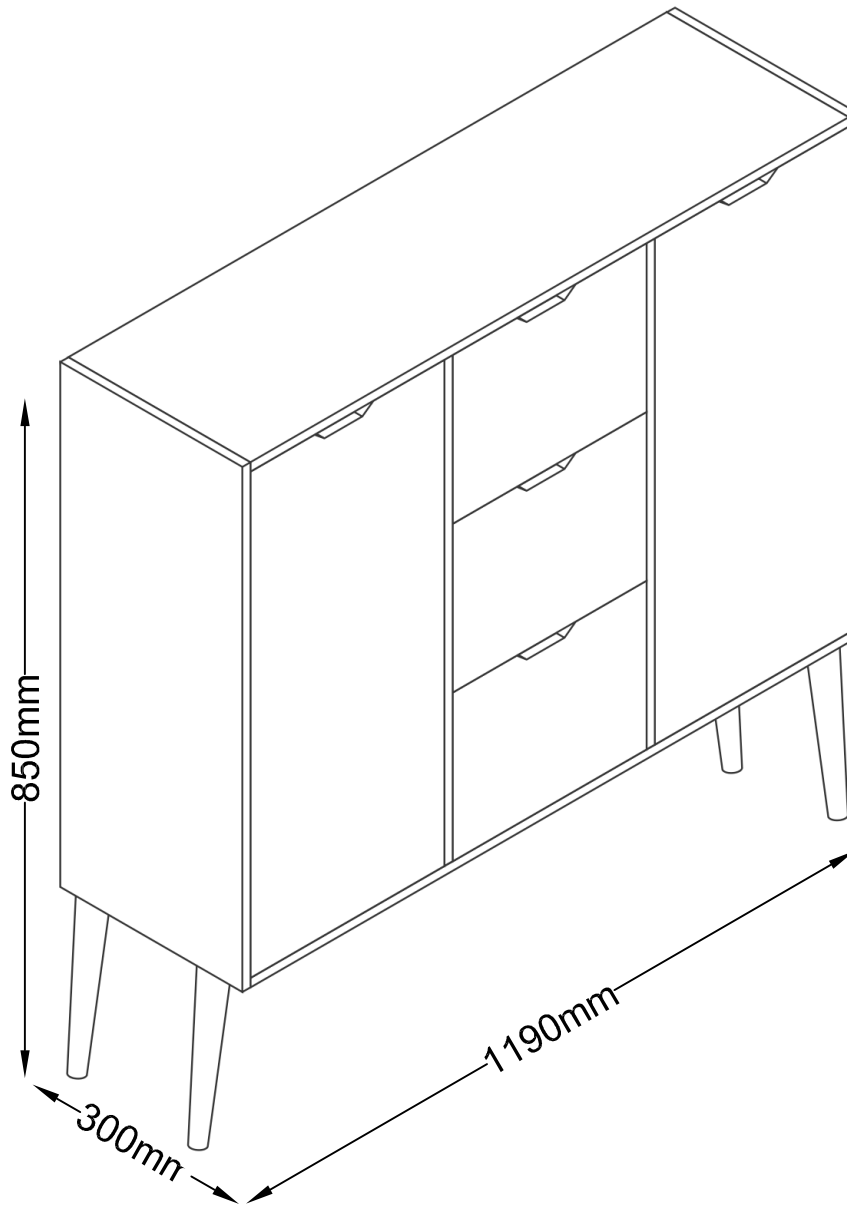
GLOBAL PROCUREMENT AND MARKETING LIMITED


BODEN --- 3 Drawer 2 Door Sideboard

Assembly Instructions – Please keep for future reference

SID3DWOAK

SID3DWWHT



Dimensions	No. people	Assembly Time	SKU #
Width: 119.0cm Depth: 30.0cm Height: 85.0cm		60 mins (approx.)	SID3DWOAK SID3DWWHT

thank you

For purchasing this
GPM Limited
product

Important – Please read these instructions fully before starting assembly

If you need help or have damaged or missing parts, please email aftersales@gpmfurniture.co.uk

⚠ Safety and Care Advice

Important – Please read these instructions fully before starting assembly

- Check you have all the components and tools listed on pages 4 and 5.
- Remove all fittings from the plastic bags and separate them into their groups.
- Keep children and animals away from the work area, small parts could choke if swallowed.
- Make sure you have enough space to lay out the parts before starting.
- Do not stand or put weight on the product, this could cause damage.
- Assemble the item as close to its final position (in the same room) as possible.
- Assemble on a soft, level surface to avoid damaging the unit or your floor.
- We do not recommend the use of power drill/drivers for inserting screws, as this could damage the unit. Only use hand screwdrivers.
- Dispose of all packaging carefully and responsibly.



use of power drill/drivers for inserting screws, as this could damage the unit.

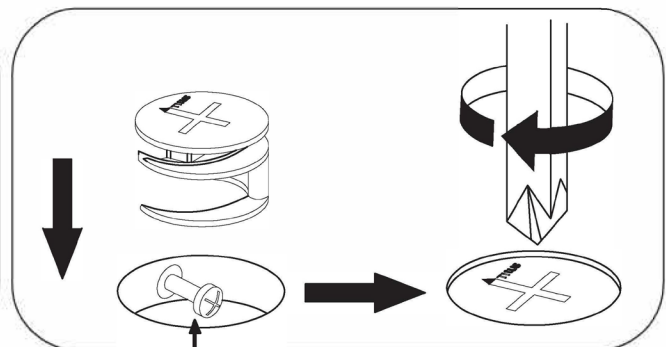
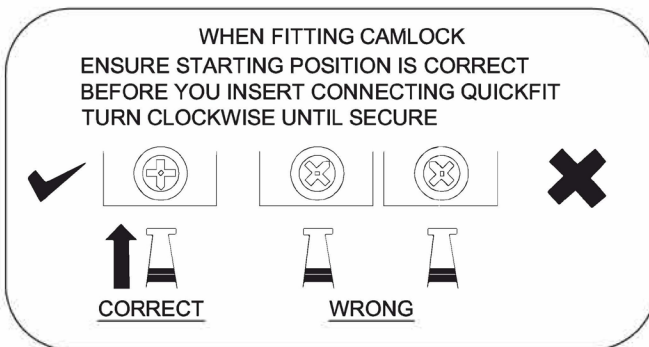
Only use hand screwdrivers.

- Dispose of all packaging carefully and responsibly.

Care and Maintenance

- Only clean using a damp cloth and mild detergent, do not use bleach or abrasive cleaners.
- From time to time check that there are no loose screws on this unit.
- This product should not be discarded with household waste. Take to your local authority waste disposal centre.

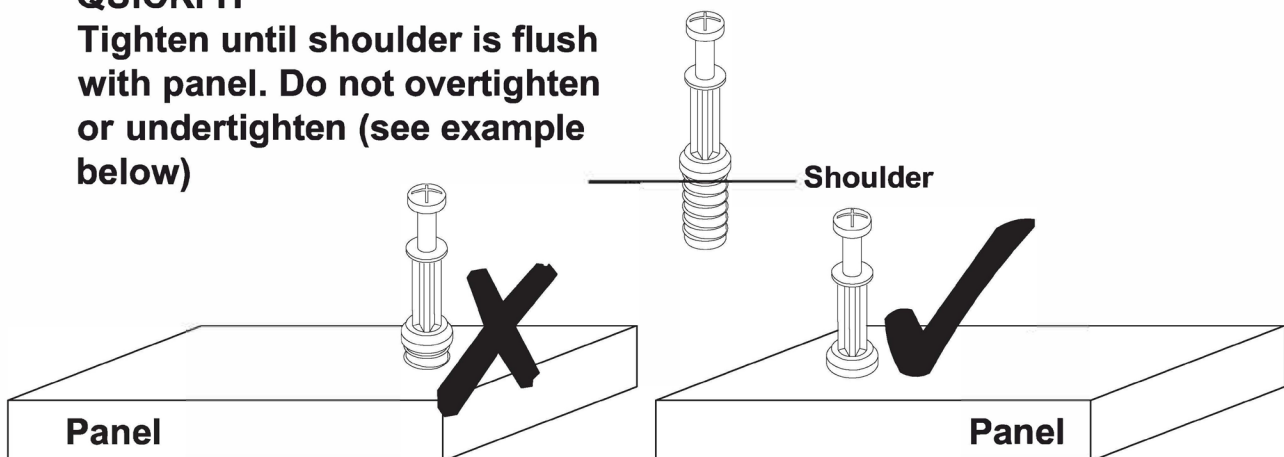
SPECIAL TIPS FOR FITTING CAM-LOCKS AND QUICKFIT



Quickfit head needs to be in centre

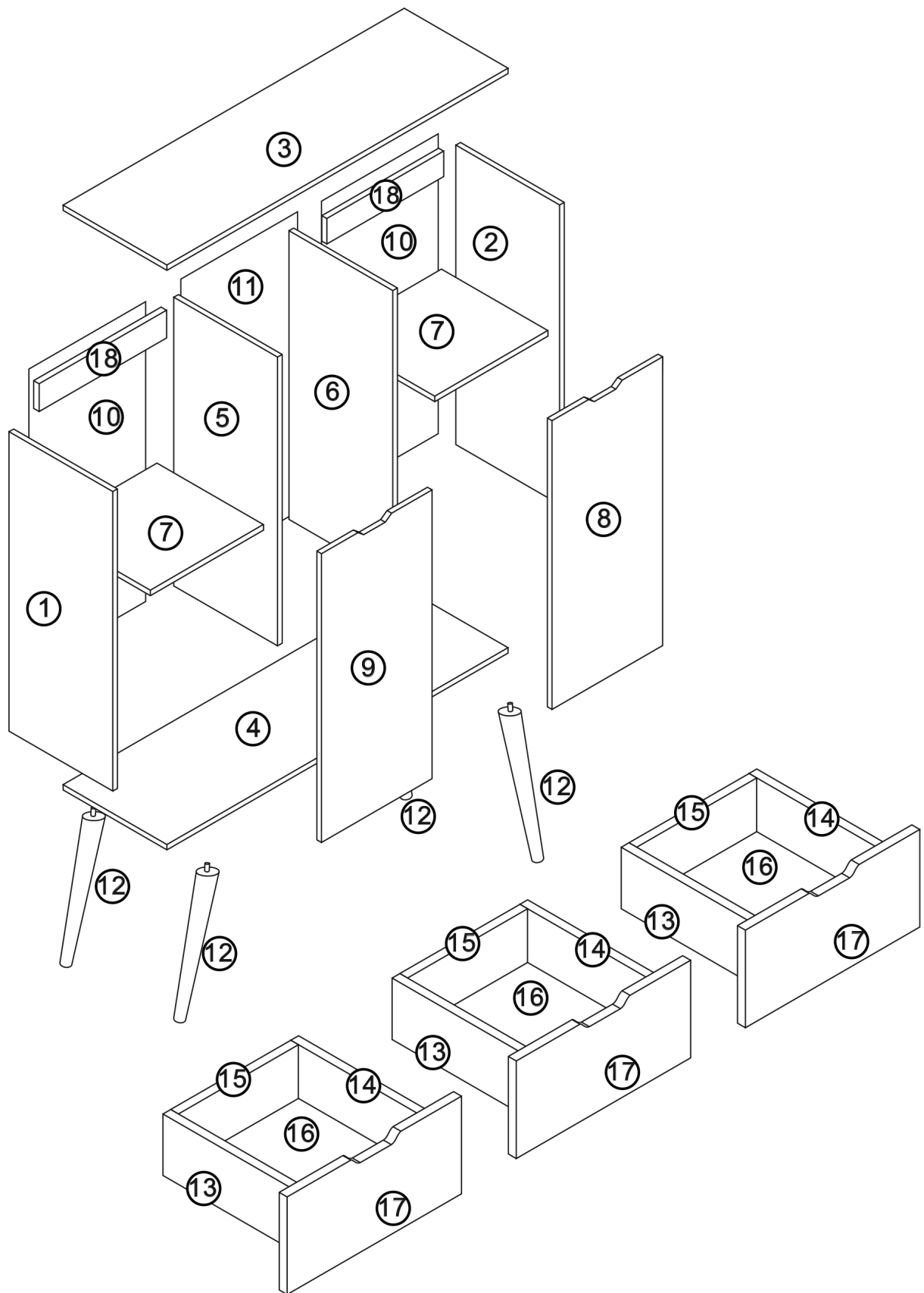
QUICKFIT

Tighten until shoulder is flush with panel. Do not overtighten or undertighten (see example below)



Exploded View

If you have damaged or missing components,
email: aftersales@gpmfurniture.co.uk



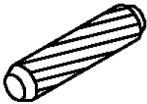
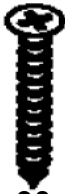

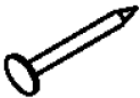

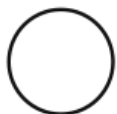
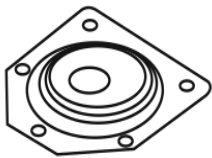

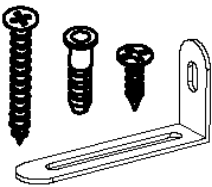
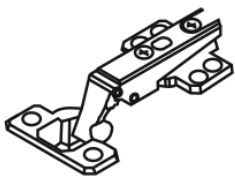



Components - Fixings

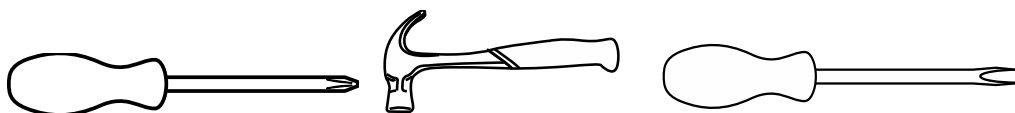
If you have damaged or missing components,
email: aftersales@gpmfurniture.co.uk

Please check that you have all the components listed below before constructing your item.

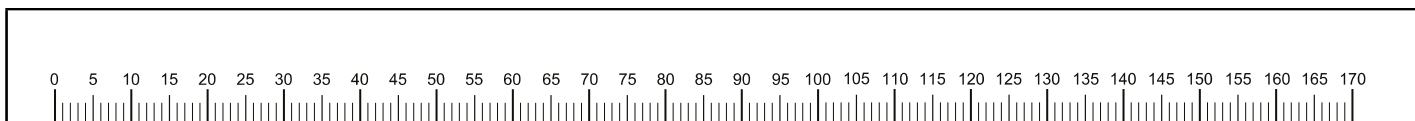
Note: The quantities below are the correct amount to complete the assembly. In some cases more fittings may be supplied than are required.

(A) X16	 40mm	(B) X16	 15x9mm	(C) X16	 6x30mm	(D) X32	 3.5x30mm
(E) X68	 3.5x12mm	(F) X30		(G) X8		(H) X12	
(I) X4		(J) X3	 250mm		(K) X2		
(L) X4		(M) X2					

Tools Required



Ruler – Use this to measure your screws (mm)



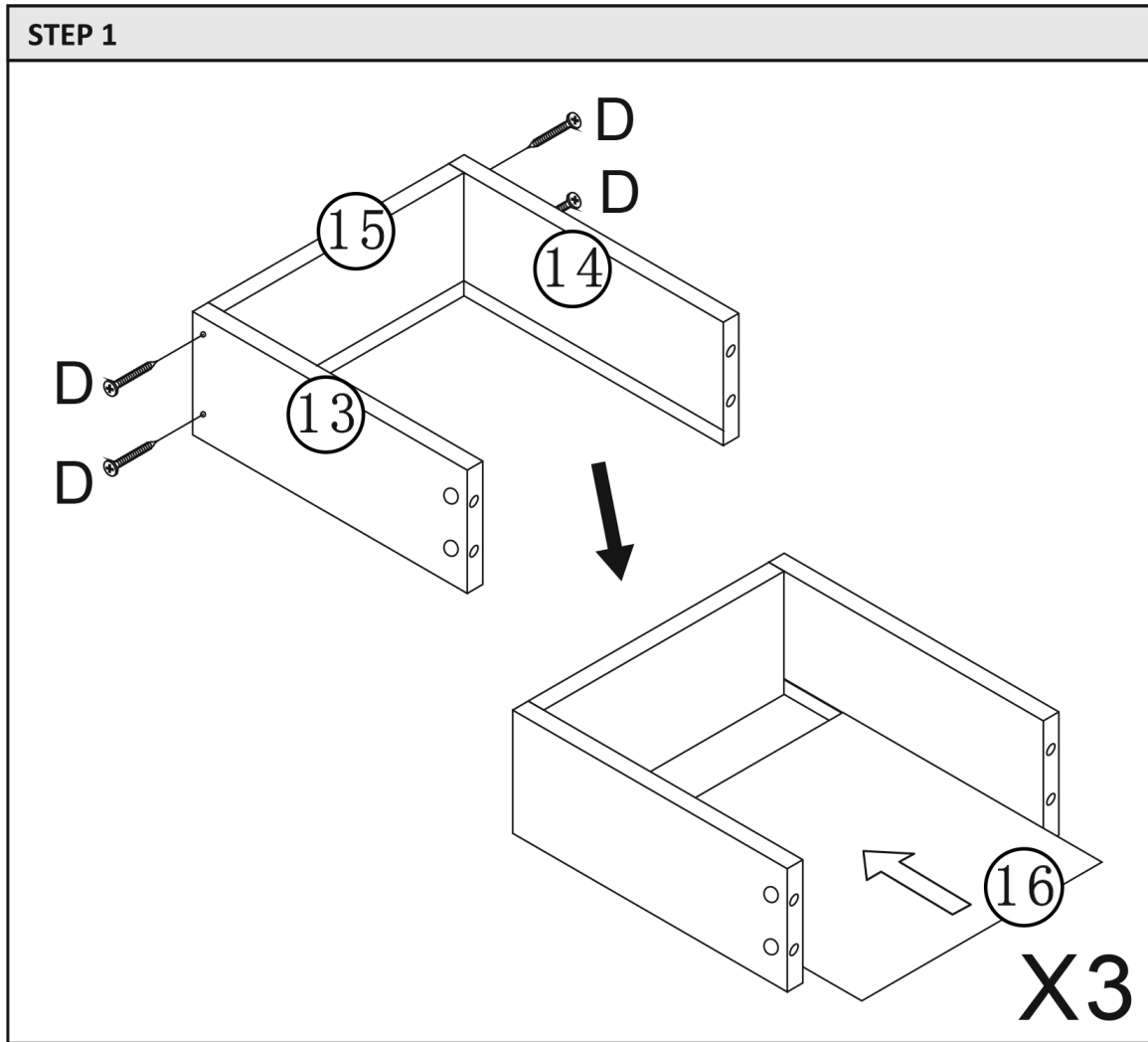
Important – Please read these instructions fully before starting assembly

If you need help or have damaged or missing parts, please email aftersales@gpmfurniture.co.uk

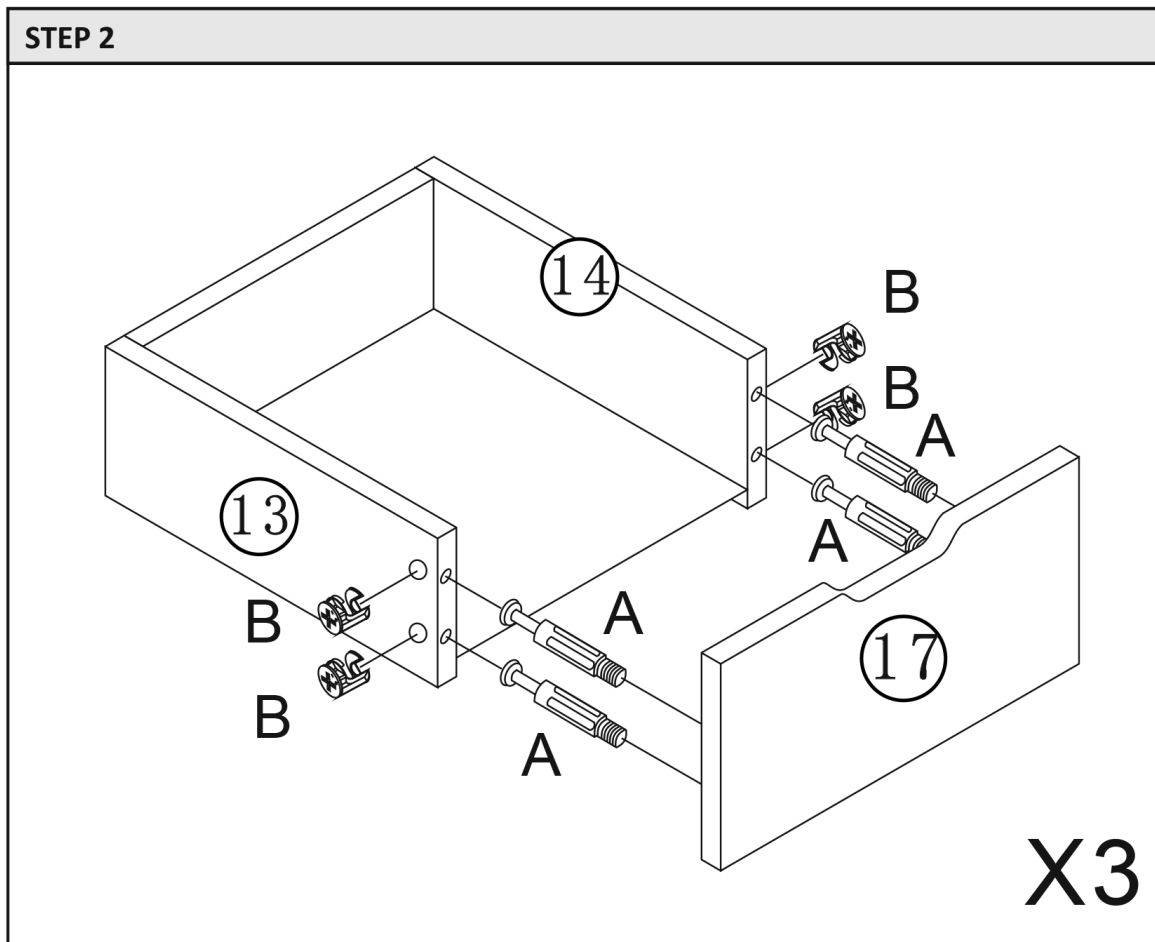
Assembly Instructions

If you have damaged or missing components,
email: aftersales@gpmfurniture.co.uk

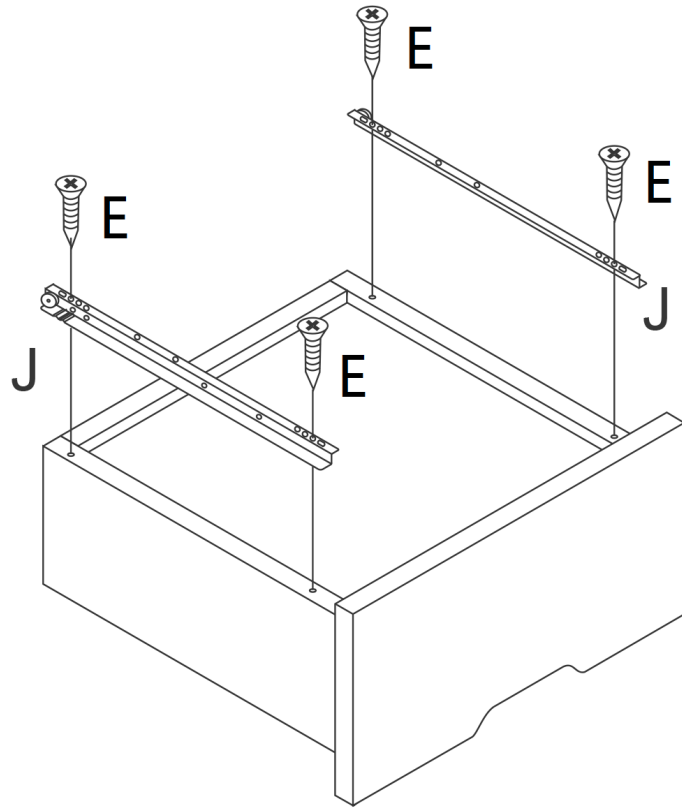
STEP 1



STEP 2

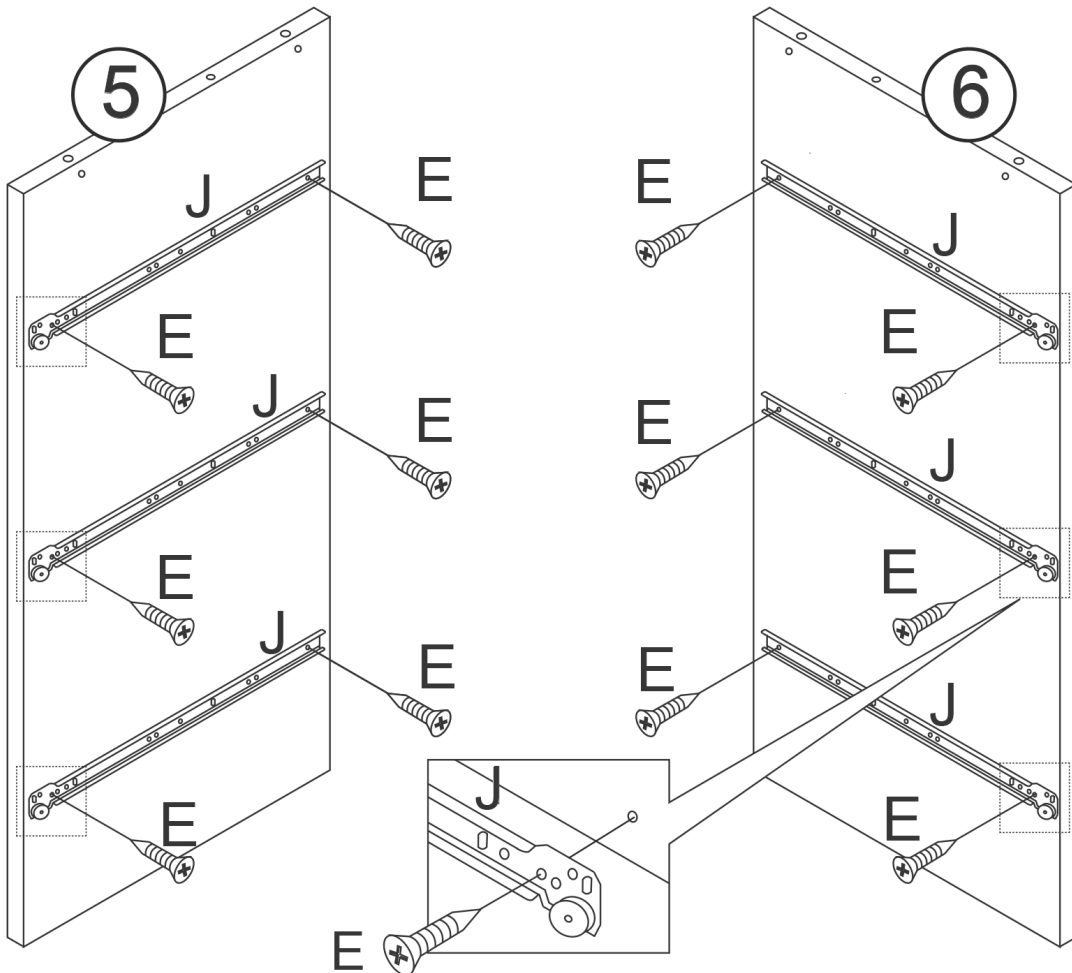


STEP 3

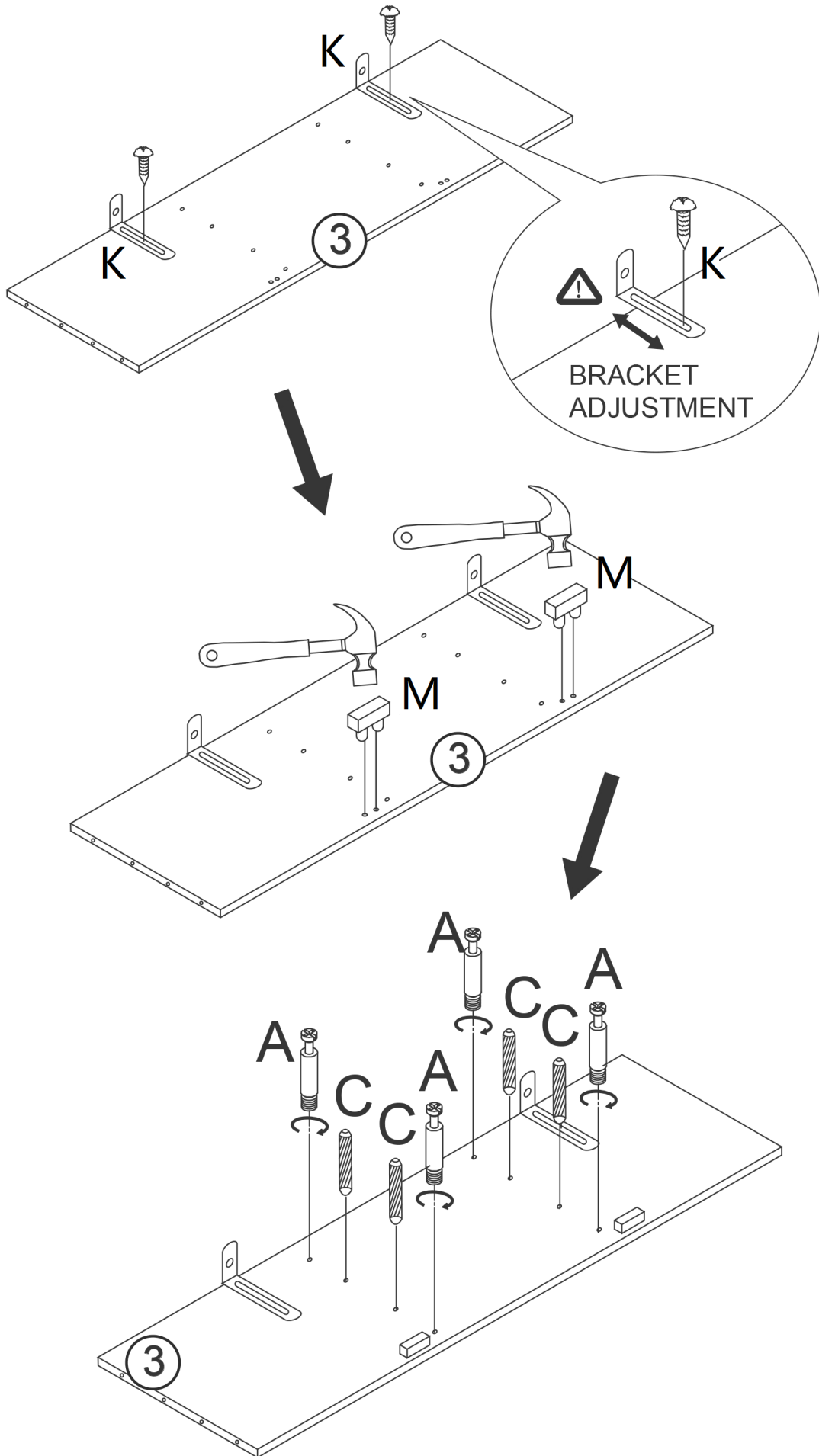


X3

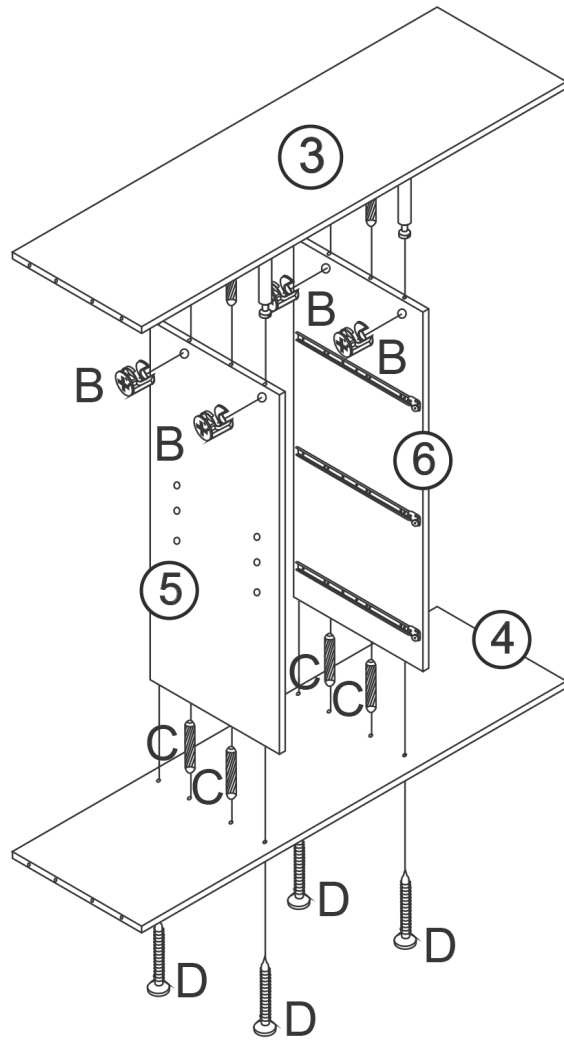
STEP 4



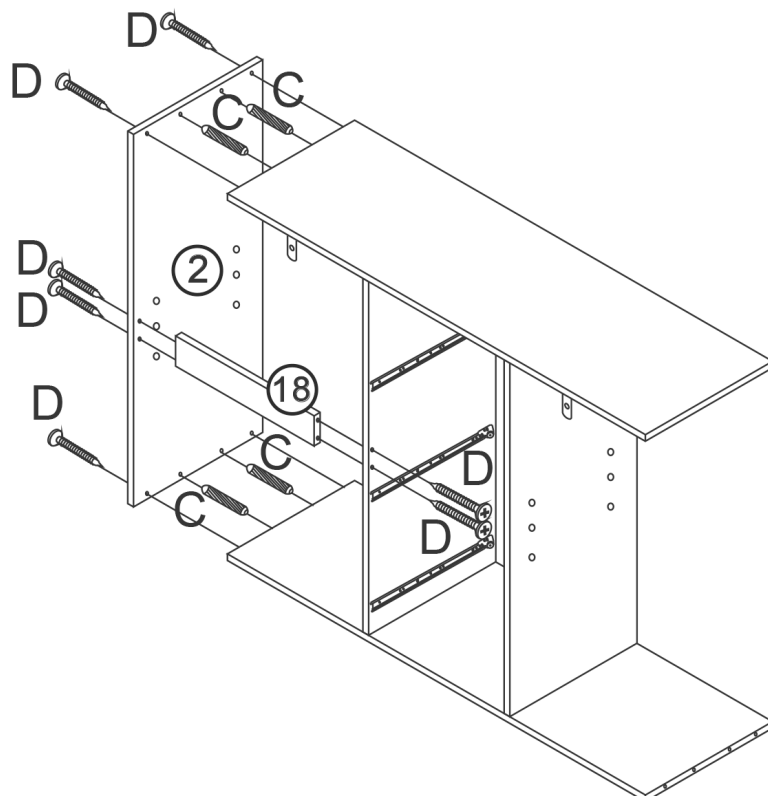
STEP 5



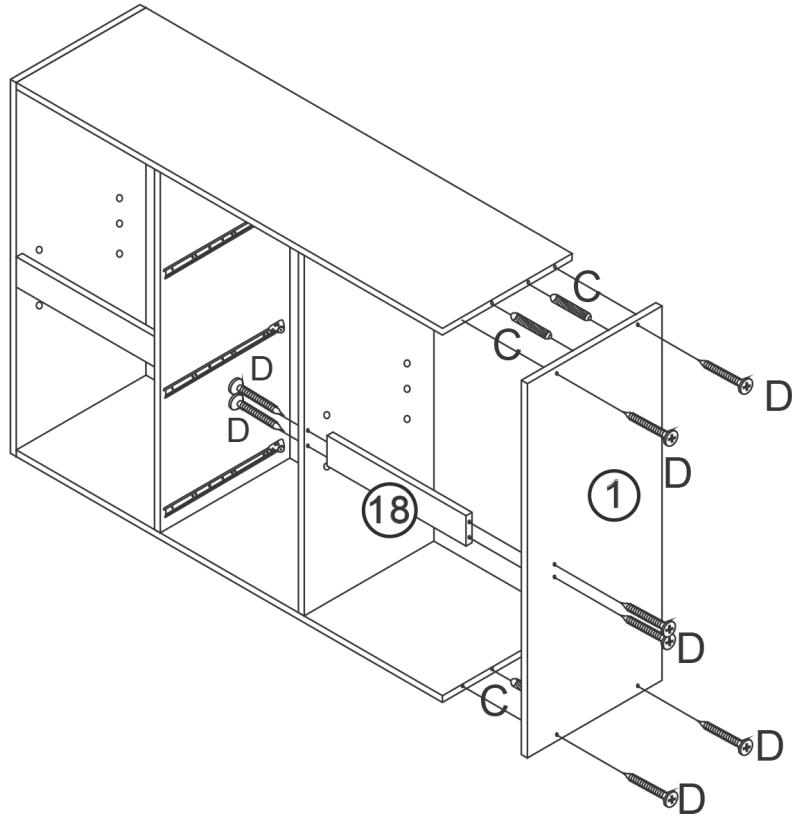
STEP 6



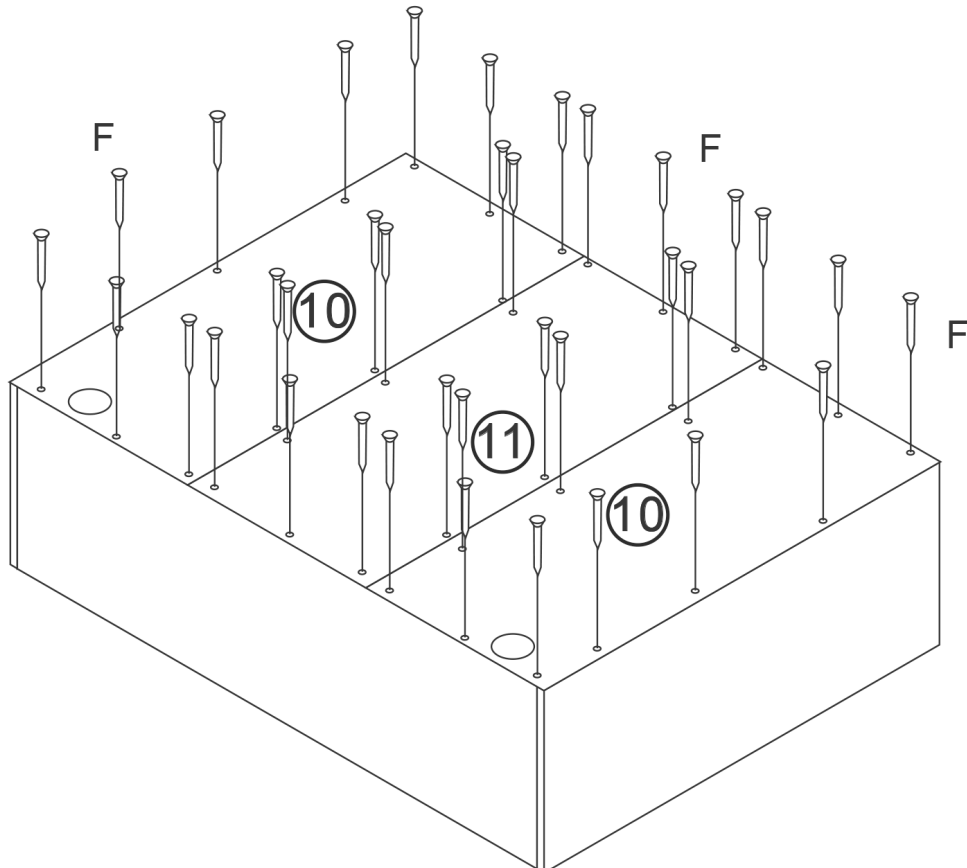
STEP 7



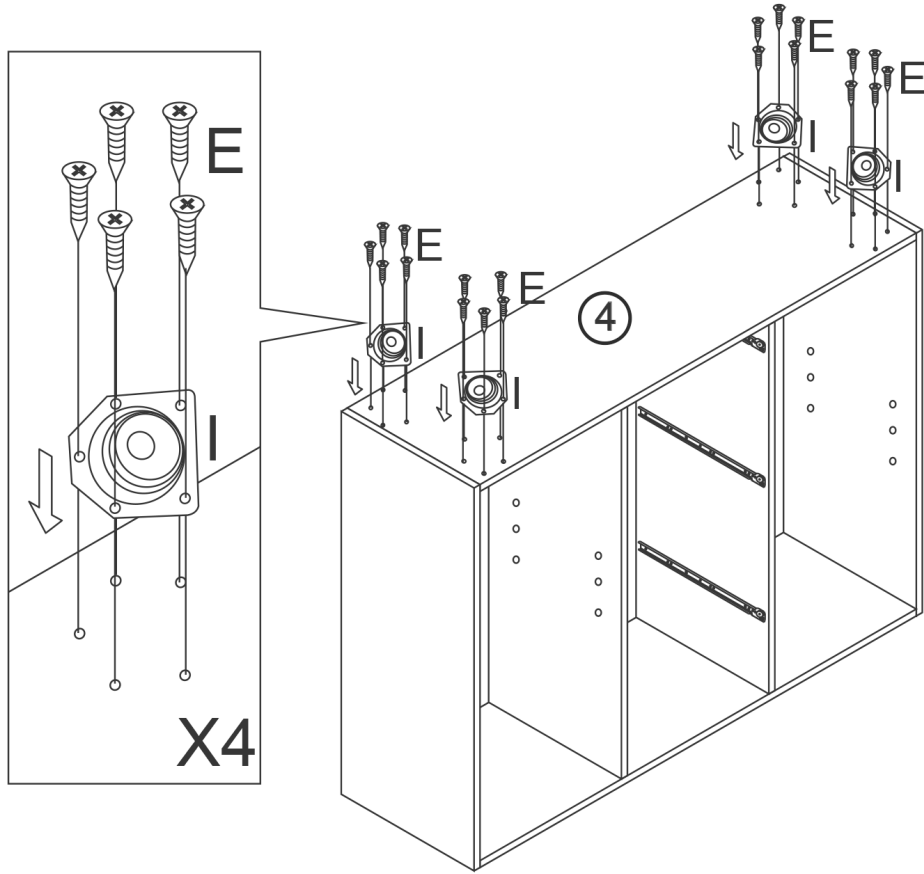
STEP 8



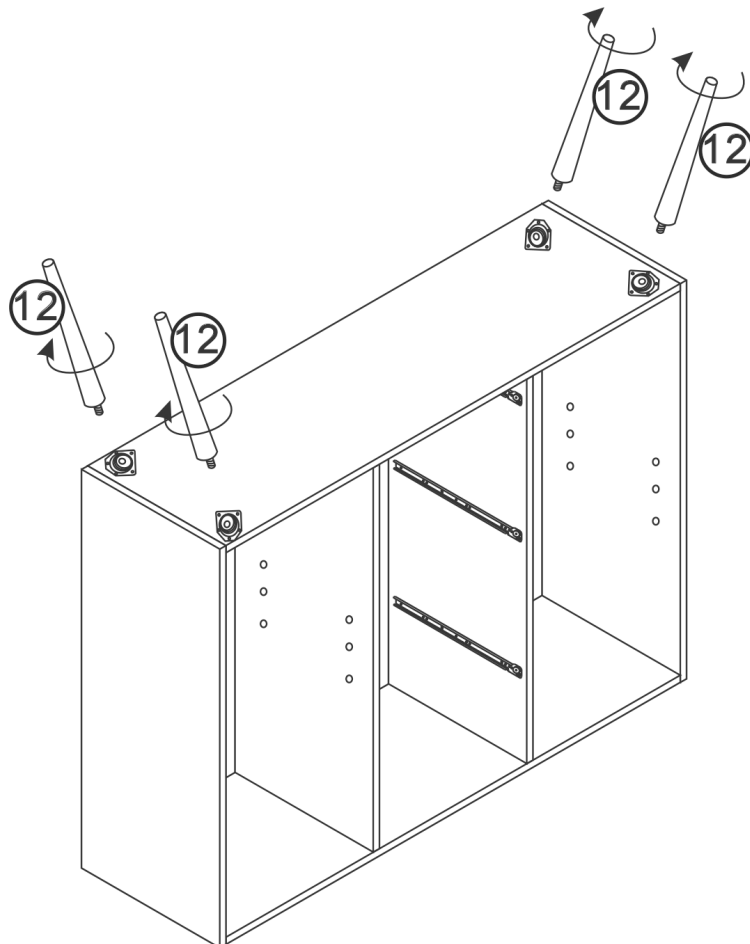
STEP 9



STEP 10

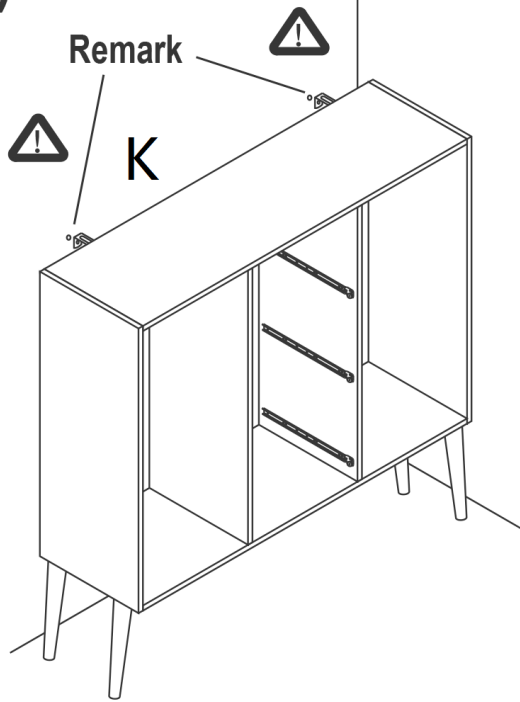


STEP 11

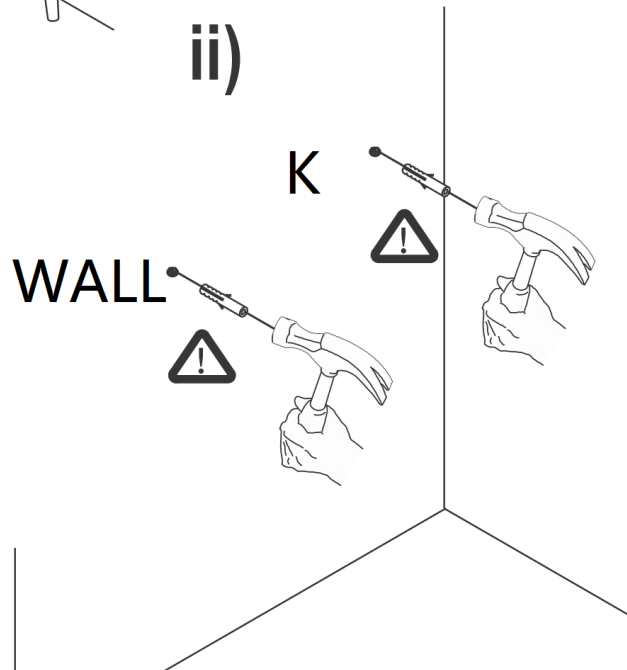


WALL STRAP

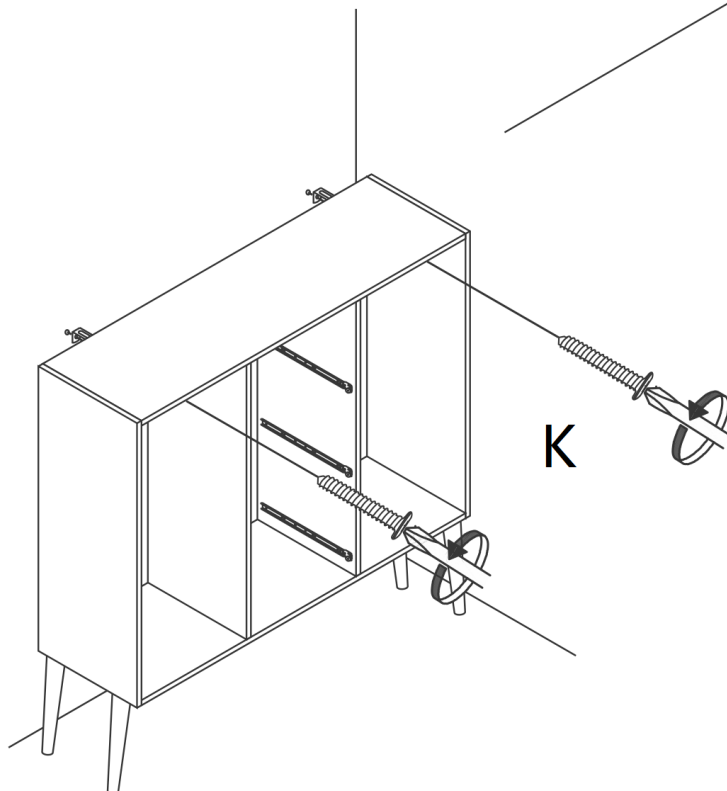
i)



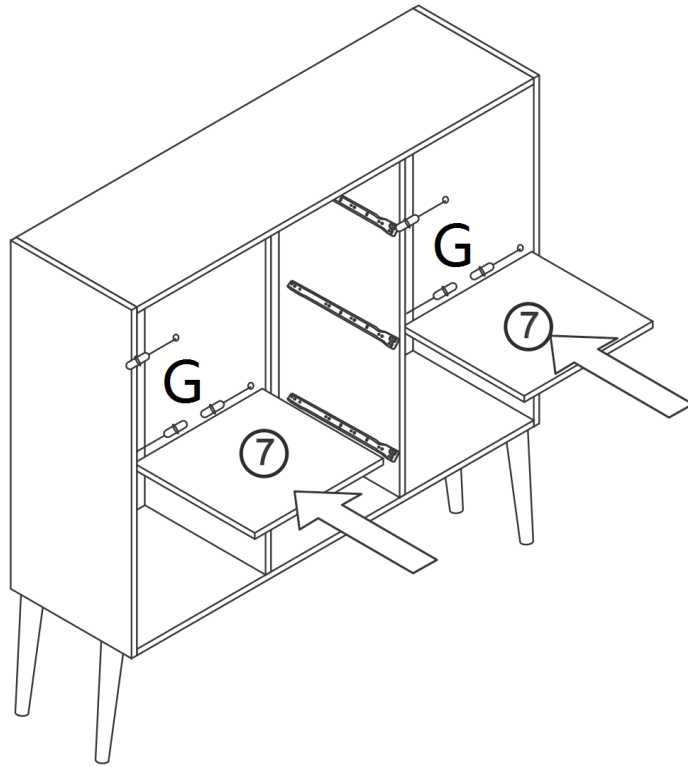
ii)



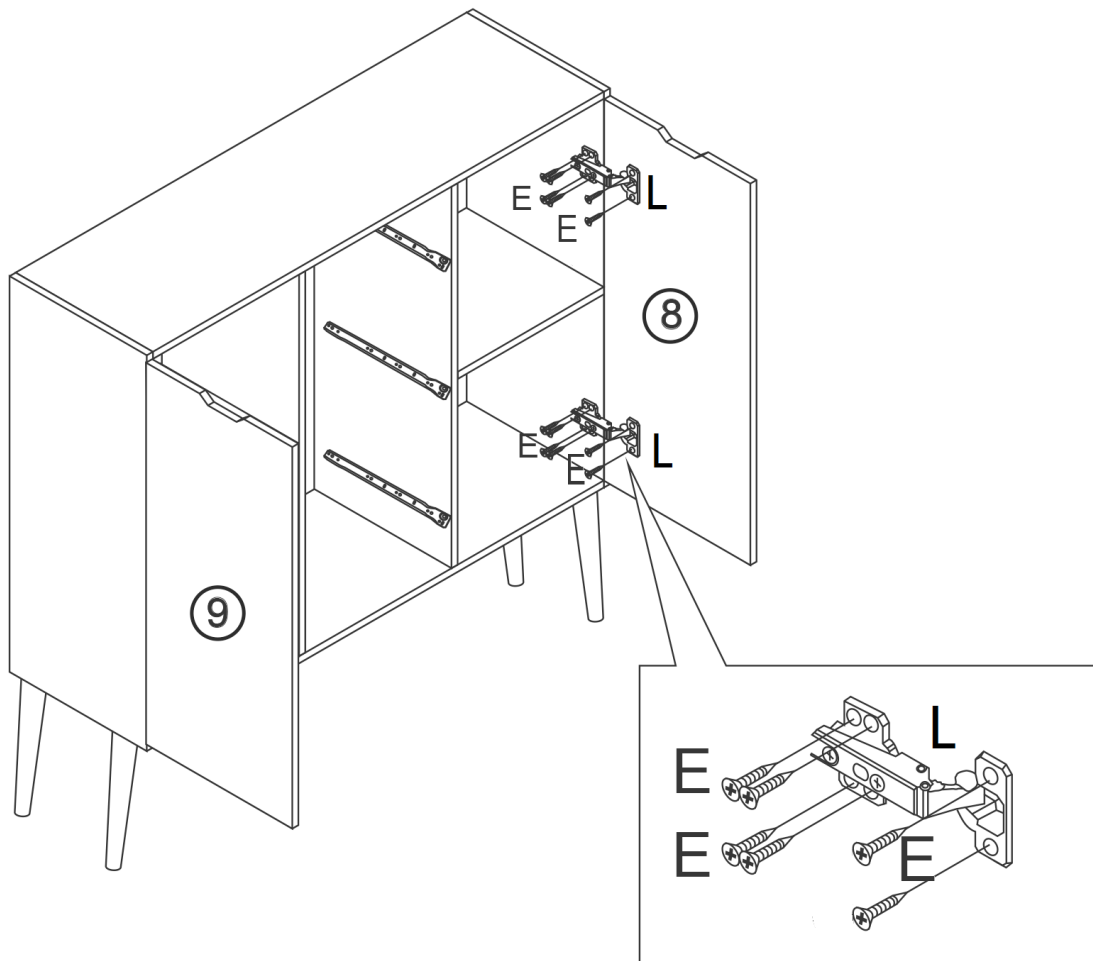
iii)



STEP 12



STEP 13



STEP 14

