

GLOBAL PROCUREMENT AND MARKETING LIMITED

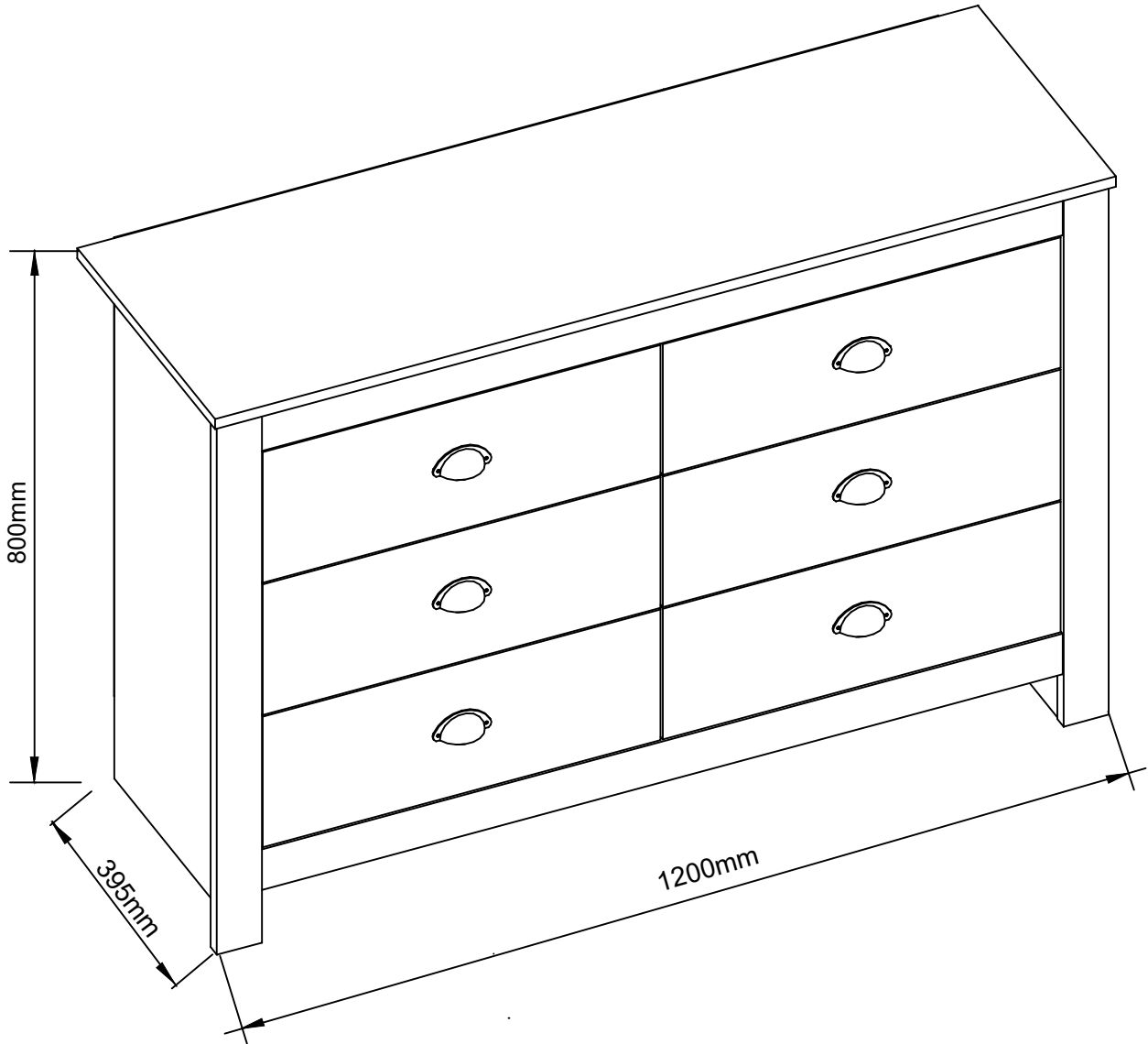
6 Drawers Chest


Assembly Instructions – Please keep for future reference

CHTCAM6WT

CHTCAM6GY

CHTCAM6GR



Dimensions	No. people	Assembly Time	SKU #
Width: 120cm Depth: 395cm Height: 80 cm		50 mins (approx.)	CHTCAM6WT CHTCAM6GY CHTCAM6GR

thank you

For purchasing this
GPM Limited
product

Important

- PLEASE READ THESE INSTRUCTIONS FULLY BEFORE STARTING ASSEMBLY
- PLEASE DO NOT THROW THE PACKAGING AWAY UNTIL YOU ARE SATISFIED WITH PURCHASE, GOODS NEED TO BE RETURNED IN ORIGINAL PACKAGING.

If you need help or have damaged or missing parts, please email aftersales@gpmfurniture.co.uk

! Safety and Care Advice

Important – Please read these instructions fully before starting assembly

- Check you have all the components and tools listed on pages 4 and 5.
- Remove all fittings from the plastic bags and separate them into their groups.
- Keep children and animals away from the work area, small parts could choke if swallowed.
- Make sure you have enough space to lay out the parts before starting.
- Do not stand or put weight on the product, this could cause damage.
- Assemble the item as close to its final position (in the same room) as possible.
- Assemble on a soft, level surface to avoid damaging the unit or your floor.
- We do not recommend the use of power drill/drivers for inserting screws, as this could damage the unit. Only use hand screwdrivers.
- Dispose of all packaging carefully and responsibly.



use of power drill/drivers for inserting screws, as this could damage the unit.

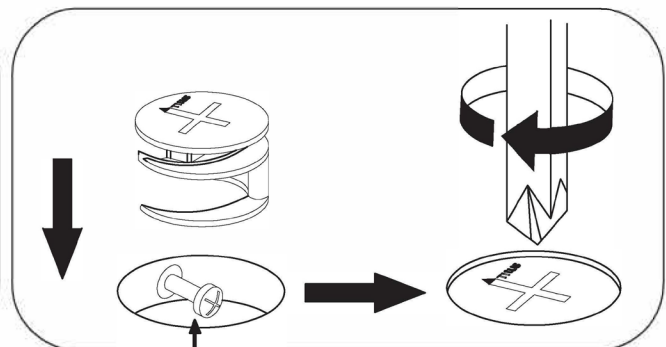
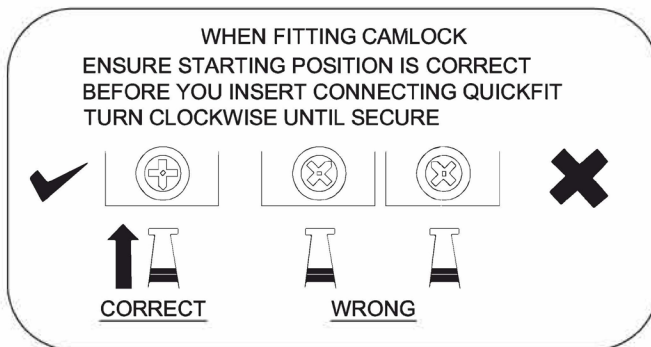
Only use hand screwdrivers.

- Dispose of all packaging carefully and responsibly.

Care and Maintenance

- Only clean using a damp cloth and mild detergent, do not use bleach or abrasive cleaners.
- From time to time check that there are no loose screws on this unit.
- This product should not be discarded with household waste. Take to your local authority waste disposal centre.

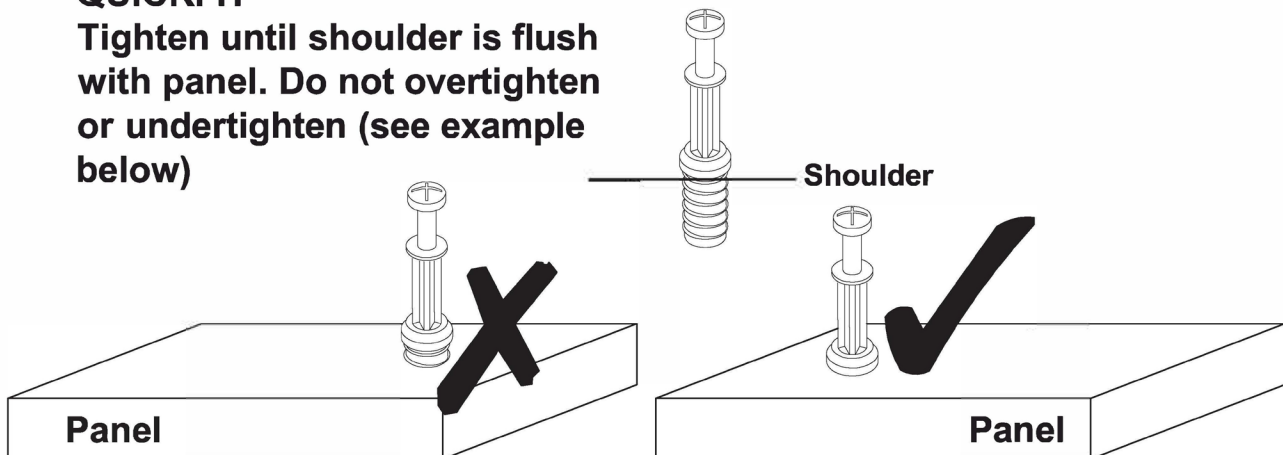
SPECIAL TIPS FOR FITTING CAM-LOCKS AND QUICKFIT



Quickfit head needs to be in centre

QUICKFIT

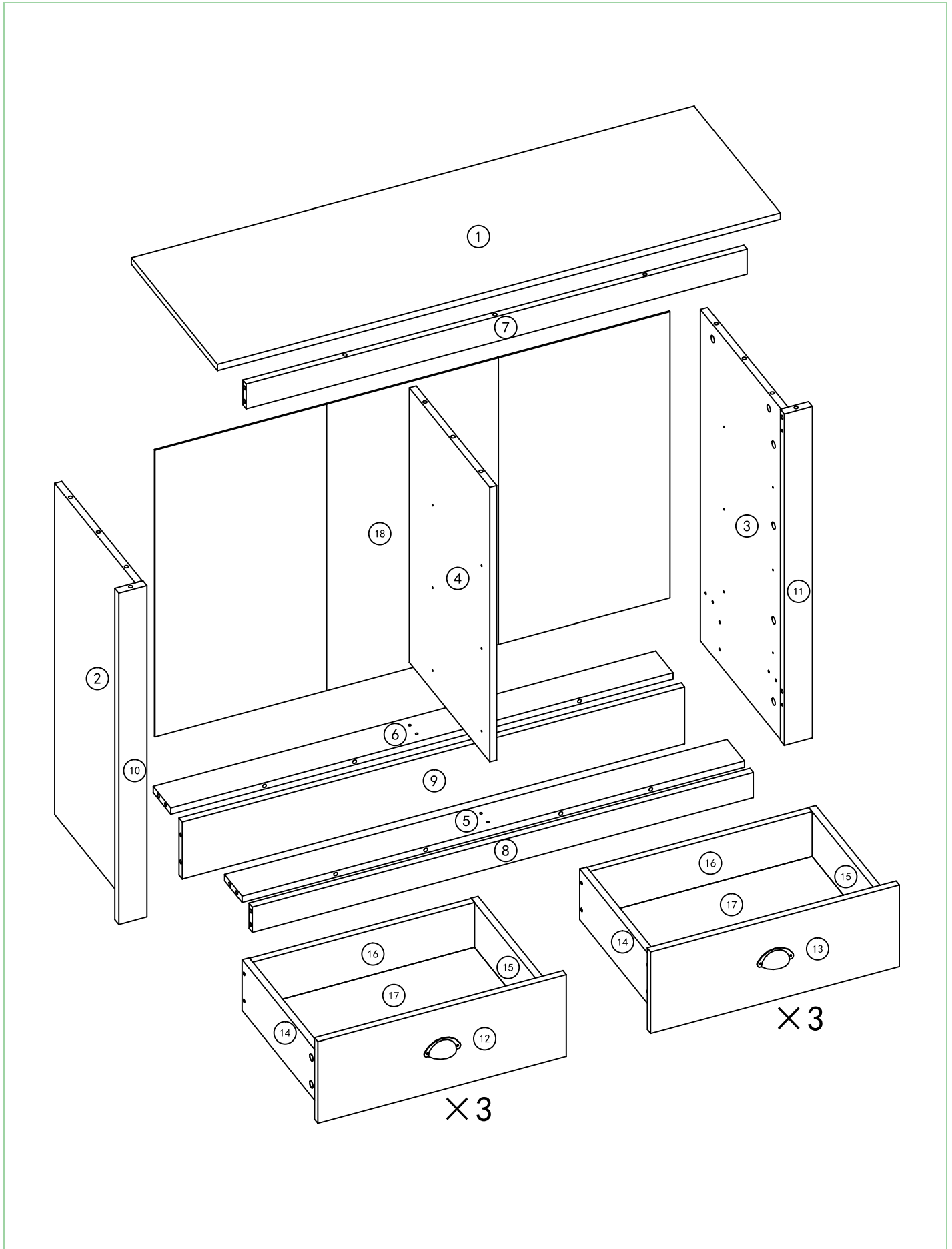
Tighten until shoulder is flush with panel. Do not overtighten or undertighten (see example below)



If you are unhappy with the product and wish to return it, please follow the retailer's returns procedure.

Exploded View

If you have damaged or missing components,
email: aftersales@gpmfurniture.co.uk

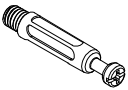

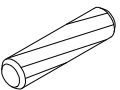
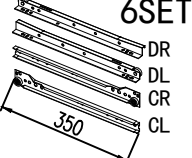
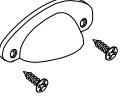




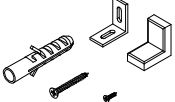


Components - Fixings

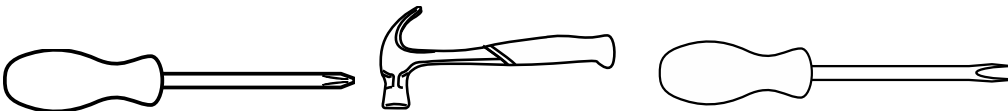
If you have damaged or missing components,
email: aftersales@gpmfurniture.co.uk

Please check that you have all the components listed below before constructing your item.

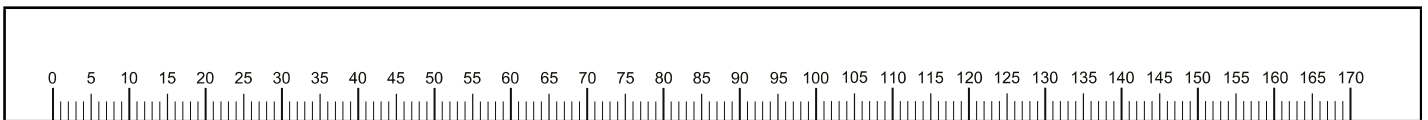
Note: The quantities below are the correct amount to complete the assembly. In some cases more fittings may be supplied than are required.

A 62PCS M6*40 	B 62PCS M15*11 	C 12PCS Φ 8*40 	D 6SET DR DL CR CL 350 	E 6PCS 
F 28PCS M3. 5*35 	G 48PCS M3. 5*14 	H 4PCS 	J 26PCS 	K 2PCS 

Tools Required




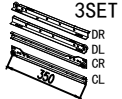

Ruler – Use this to measure your screws (mm)

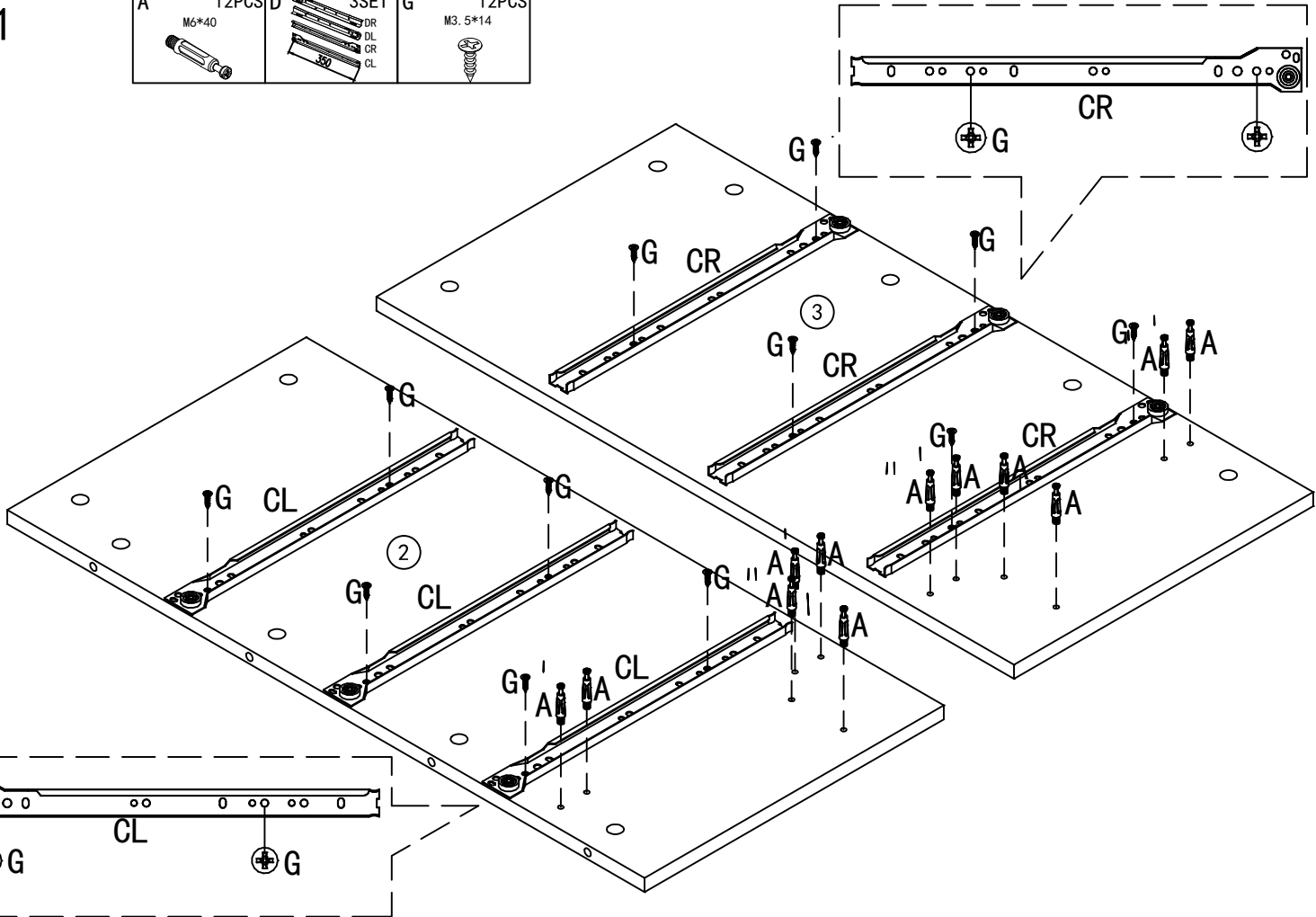


Important – Please read these instructions fully before starting assembly


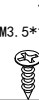
If you need help or have damaged or missing parts, please email aftersales@gpmfurniture.co.uk

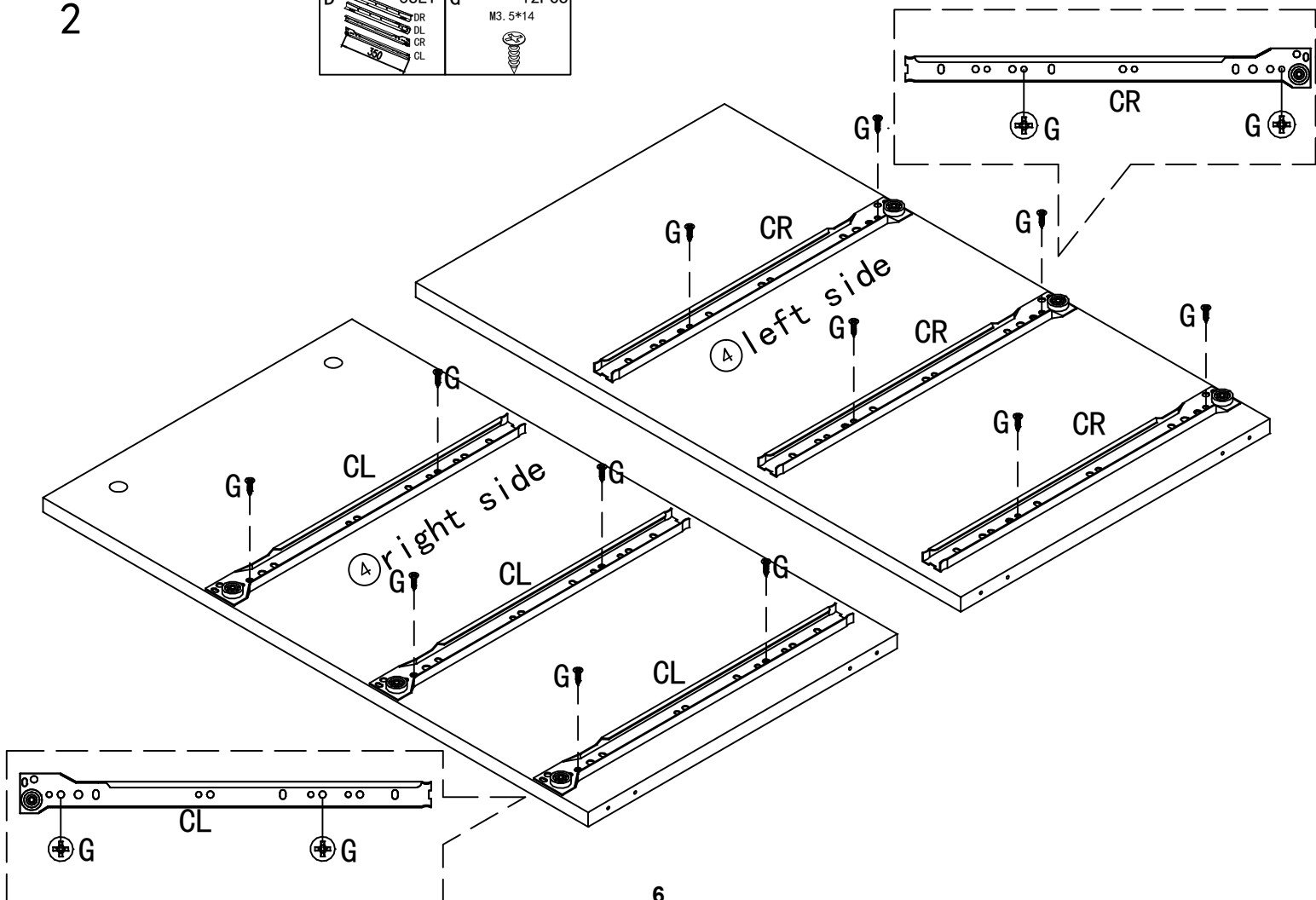
1

A 12PCS 	D 3SET 	G 12PCS 
---	---	---



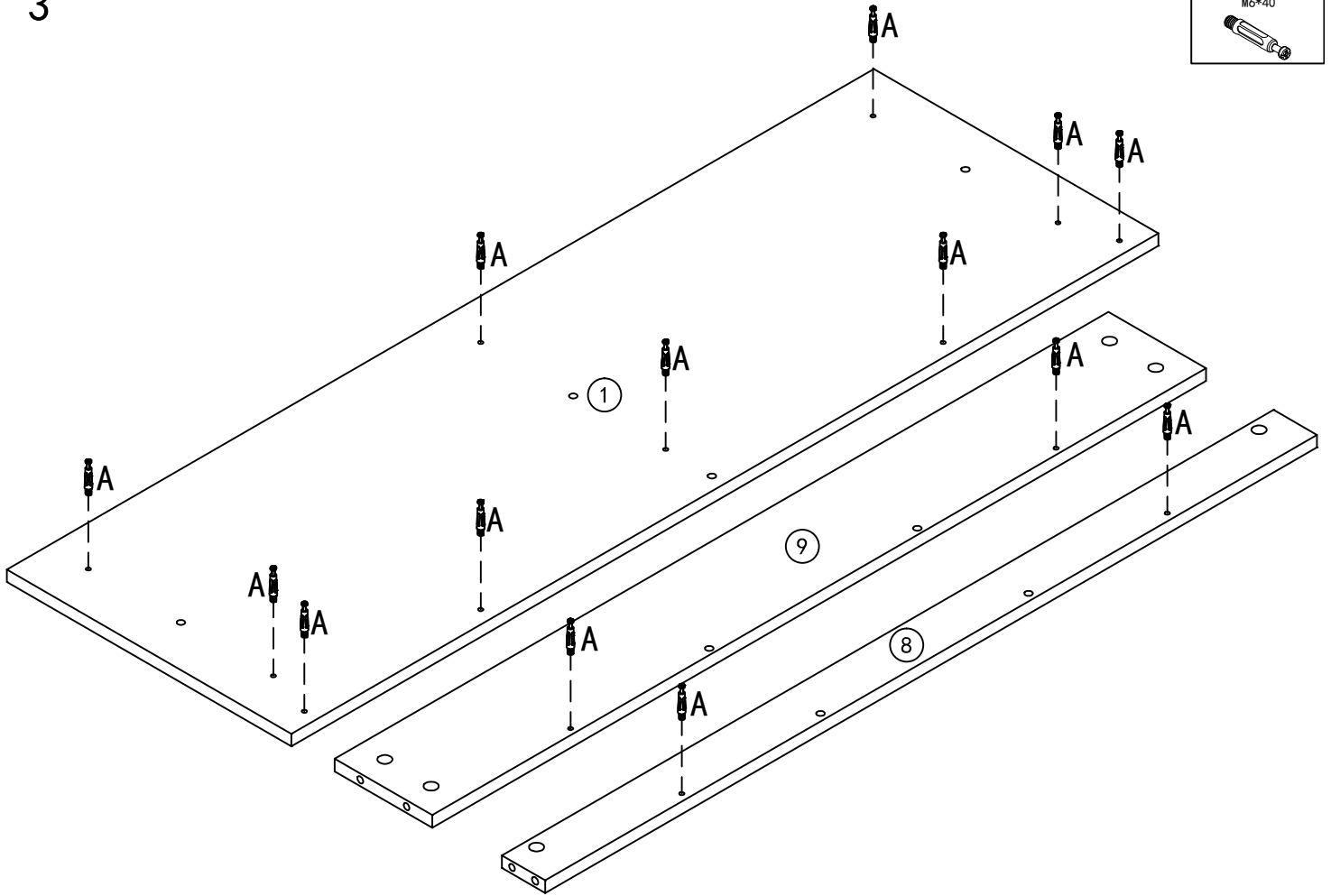
2

D 3SET 	G 12PCS 
--	---





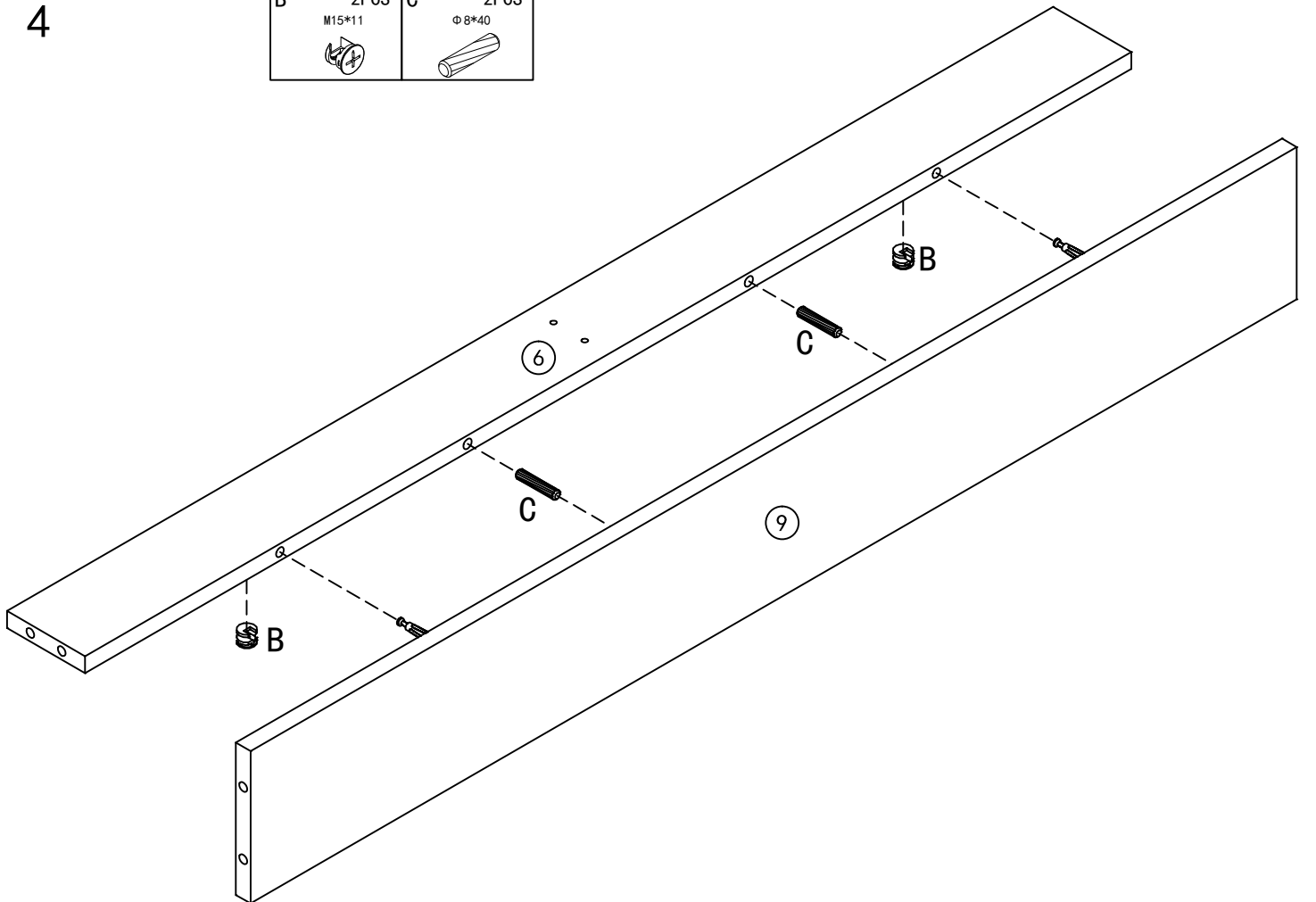
3

A 14PCS
M6*40





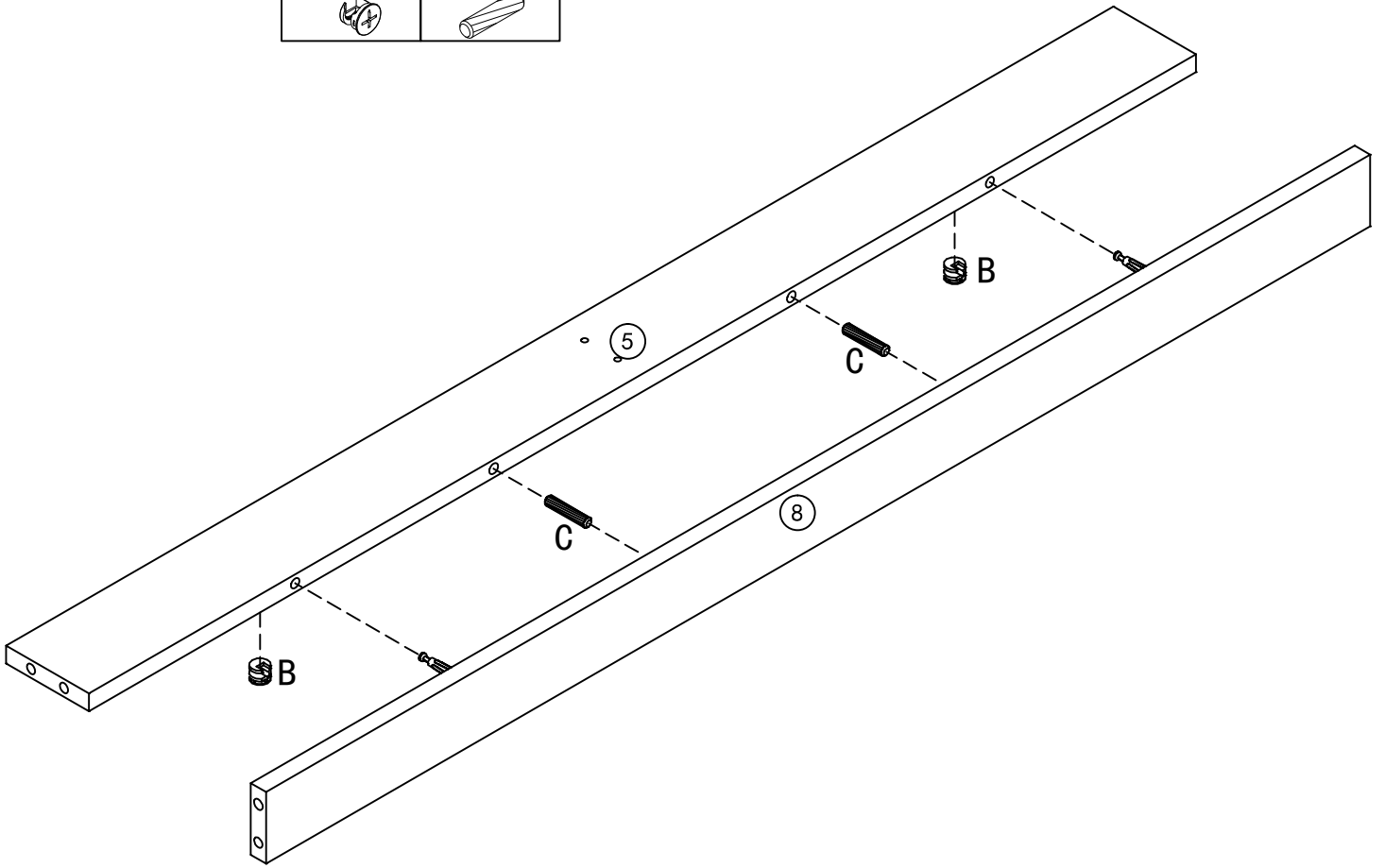
4

B	2PCS	C	2PCS
	M15*11		Φ 8*40
			




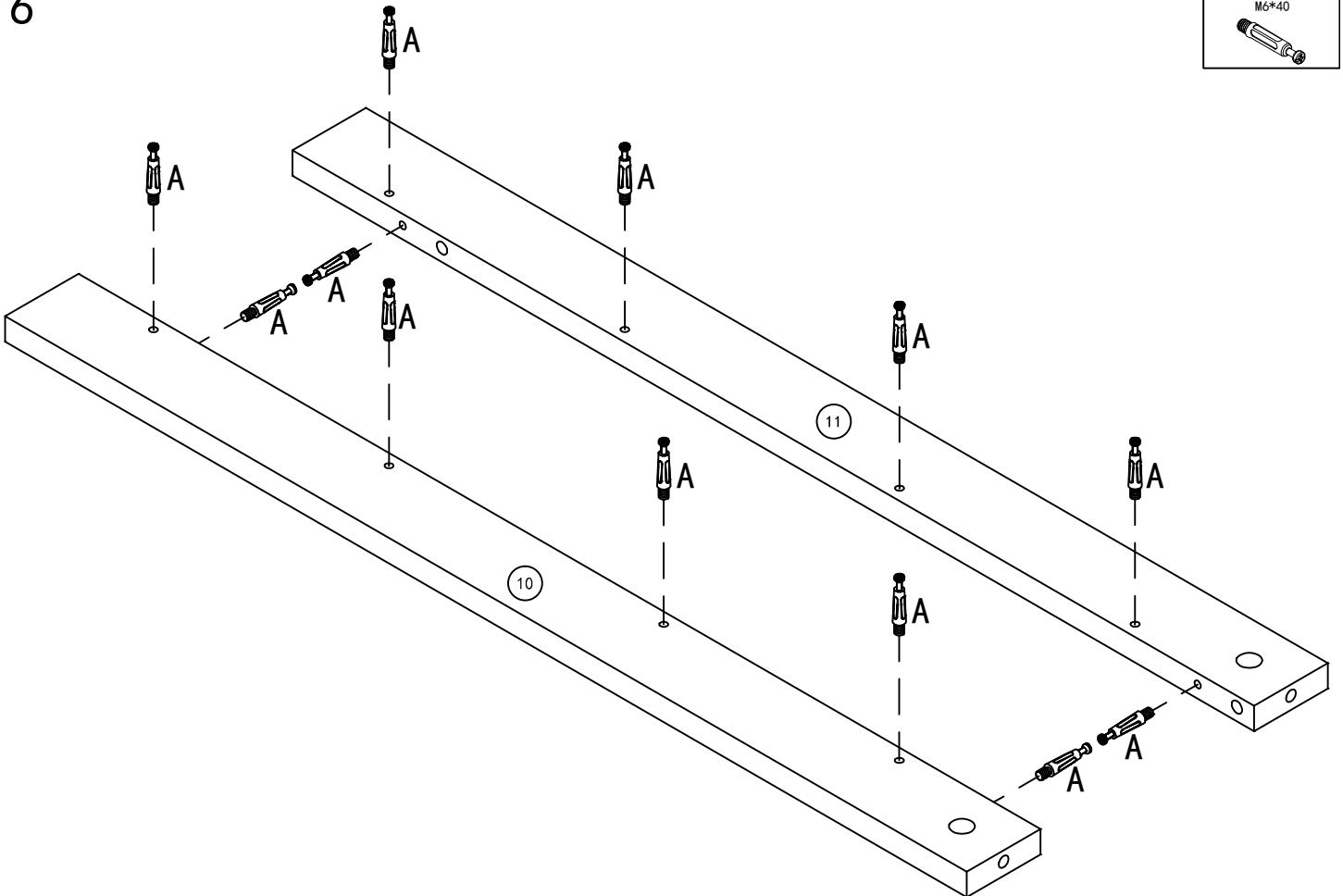
5

B	2PCS	C	2PCS
	M15*11		Φ 8*40
			




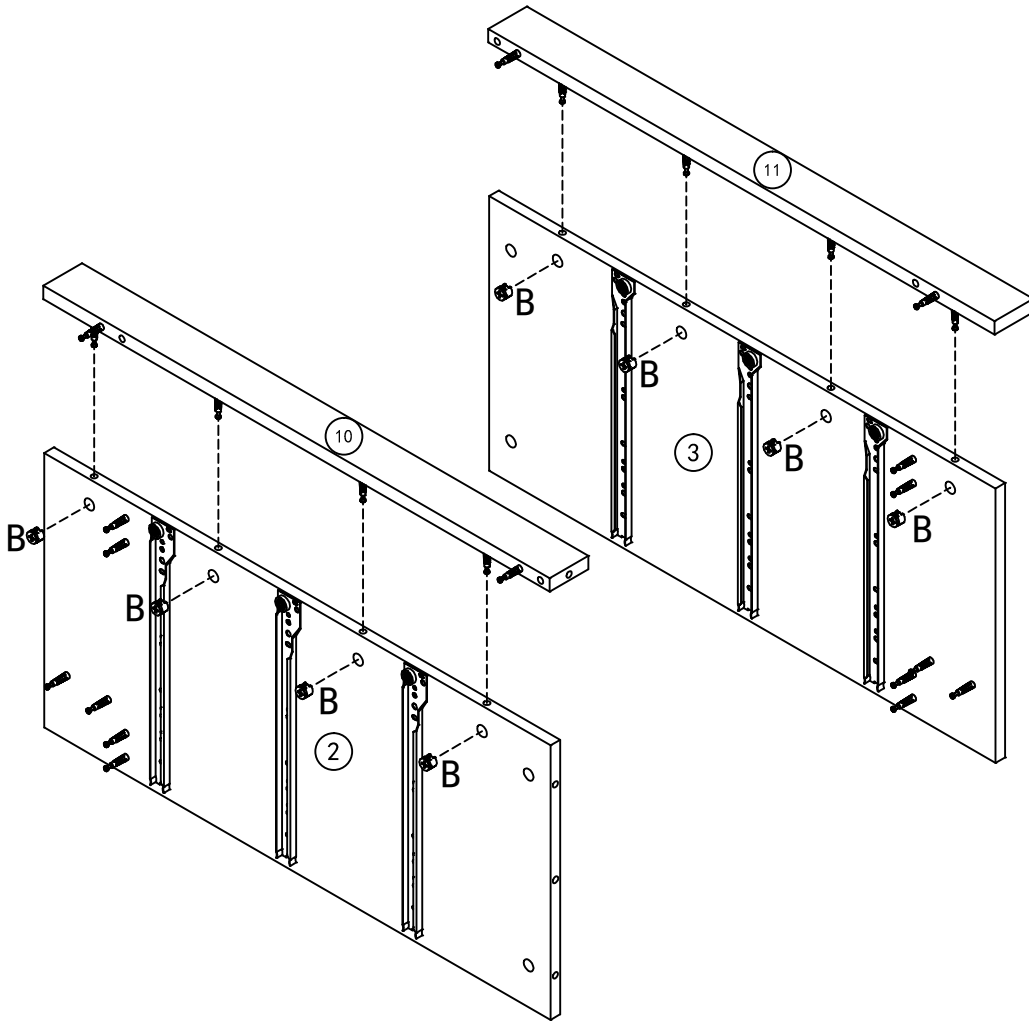
6

A	12PCS
	M6*40
	





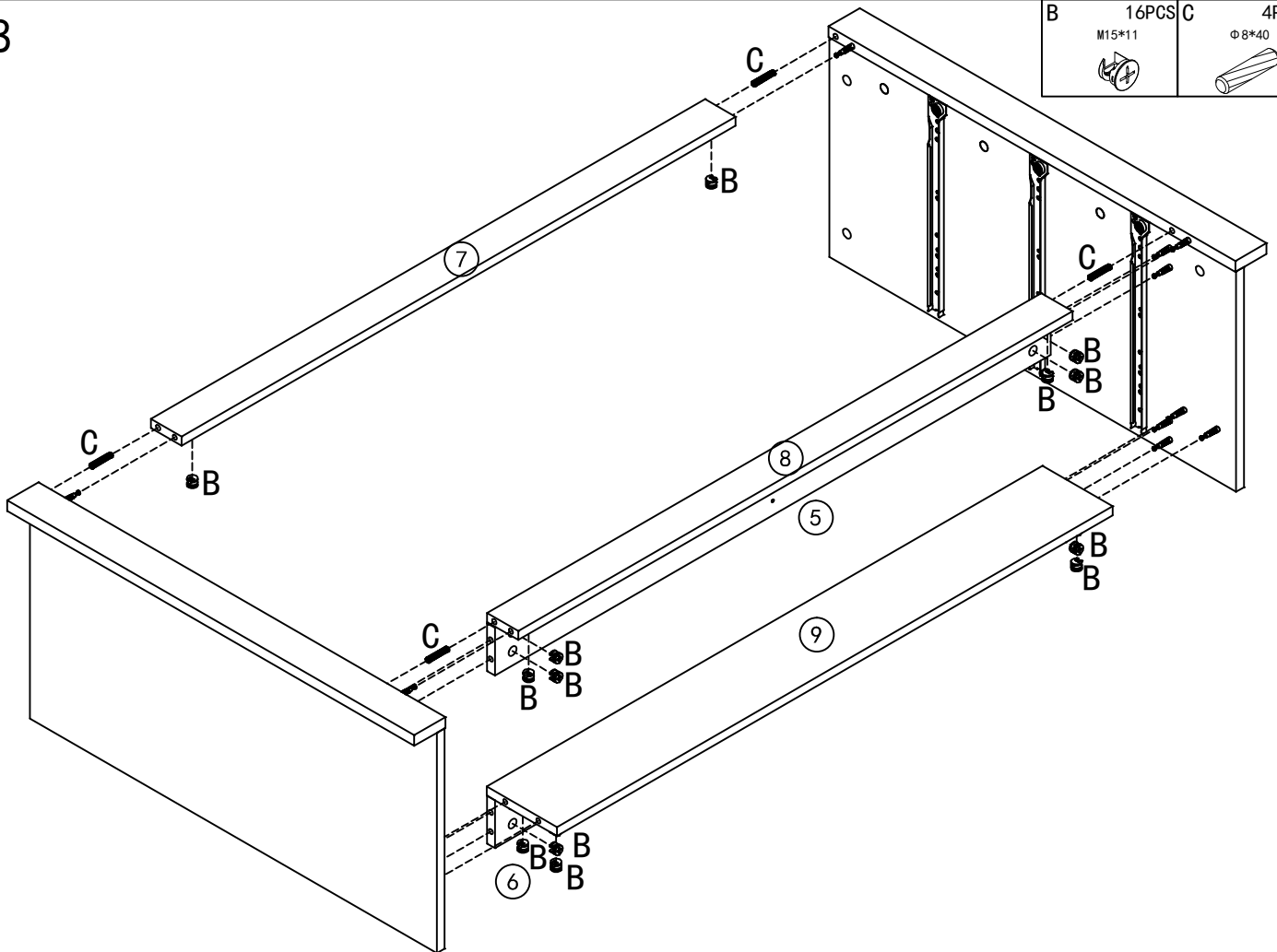
7

B	8PCS
	M15*11
	



8

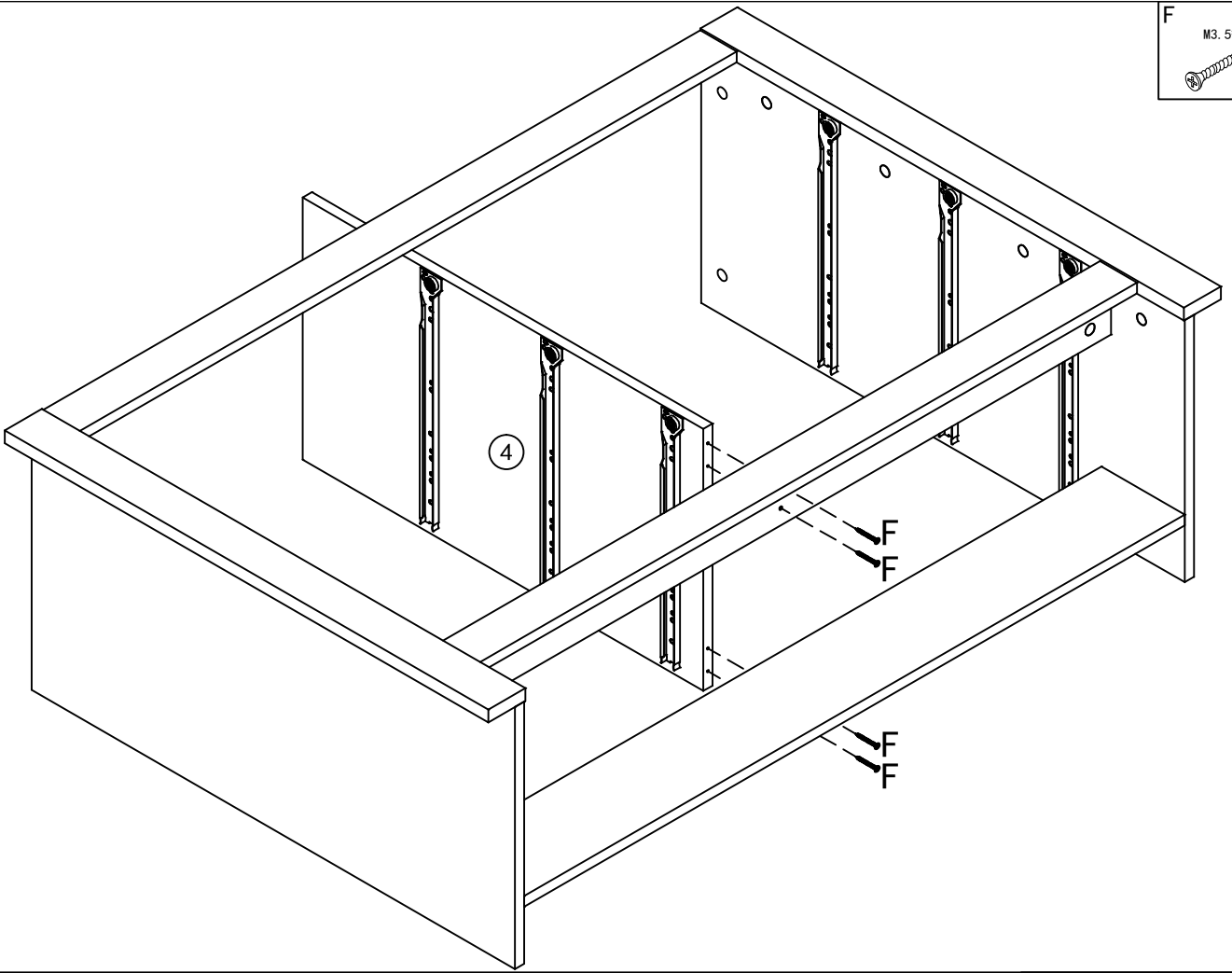

B	16PCS	C	4PCS
	M15*11		Φ8*40
			



9

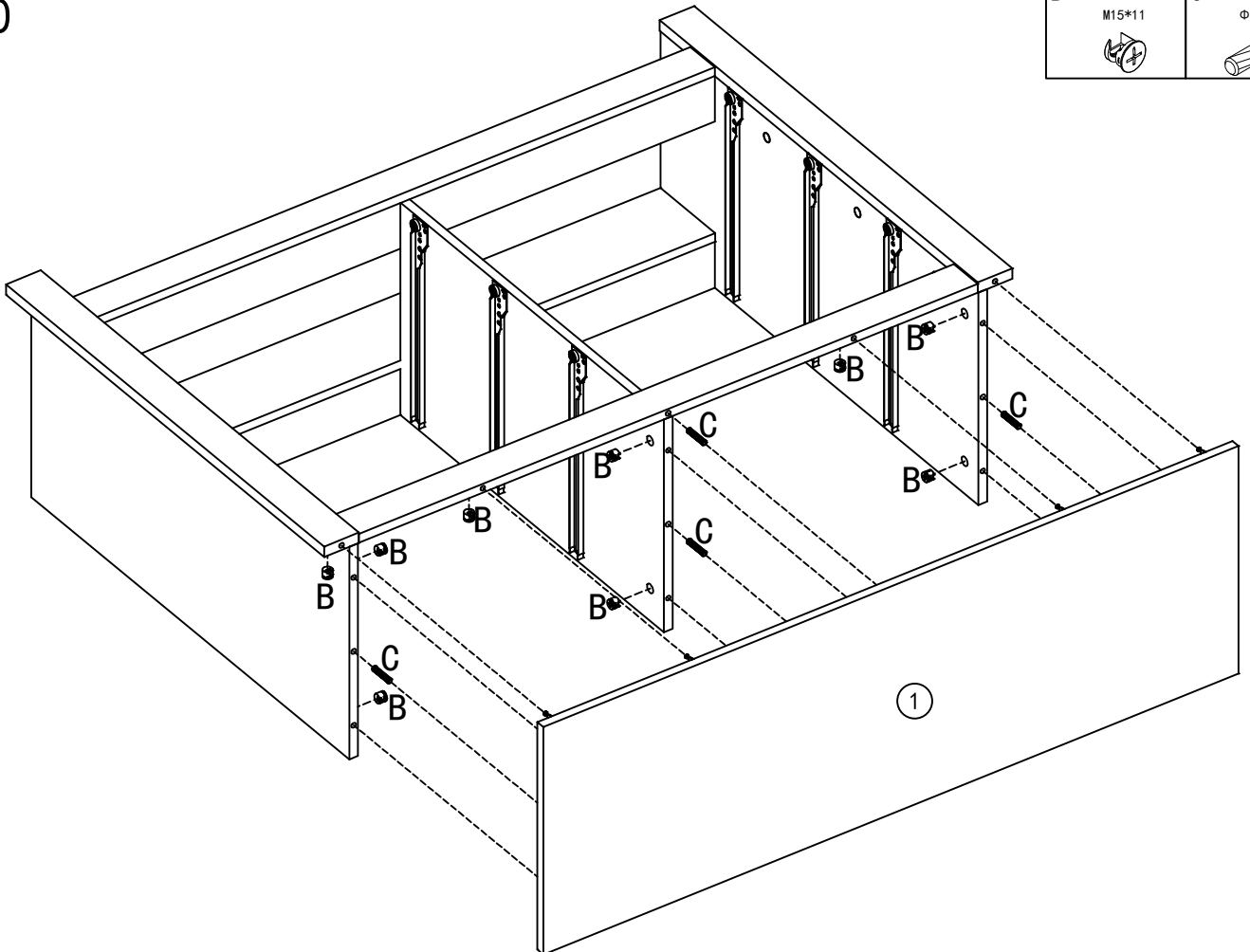


9

F 4PCS
M3, 5*35





10

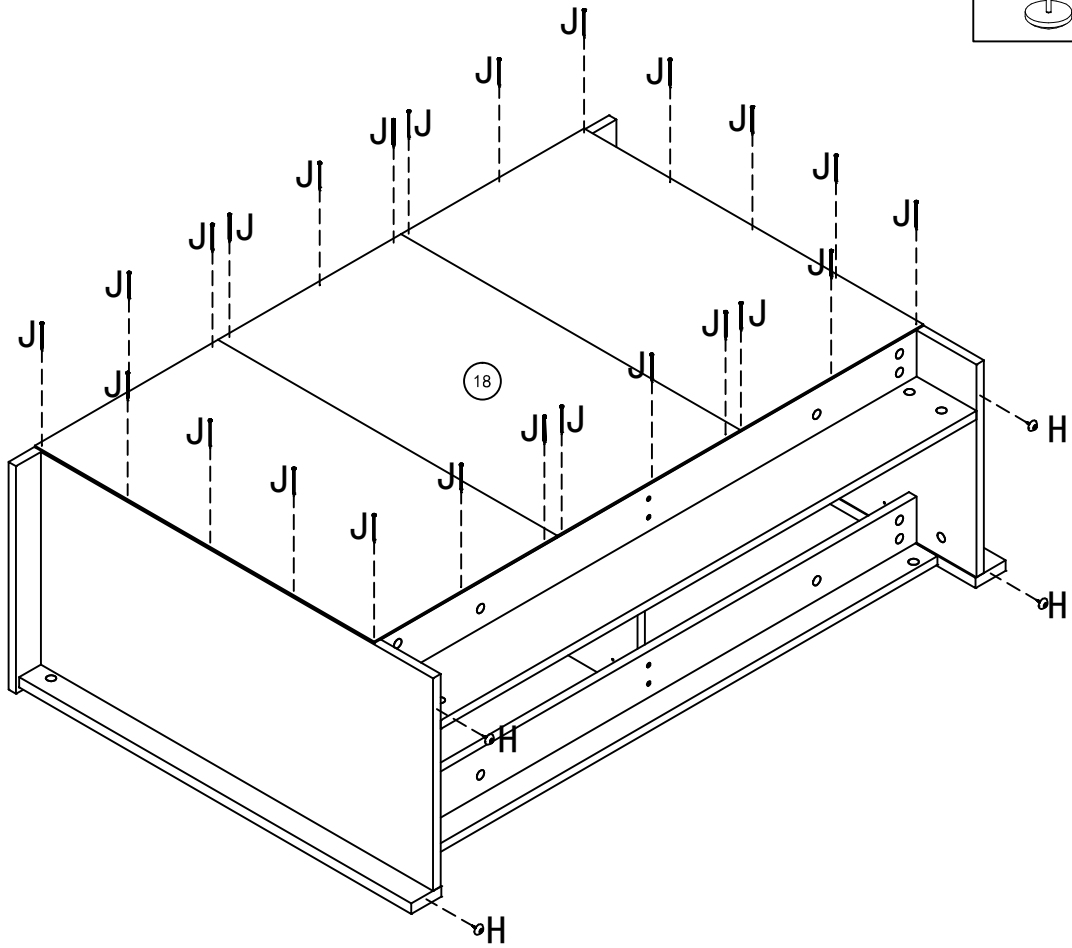
B 10PCS M15*11
C 4PCS $\Phi 8*40$




10

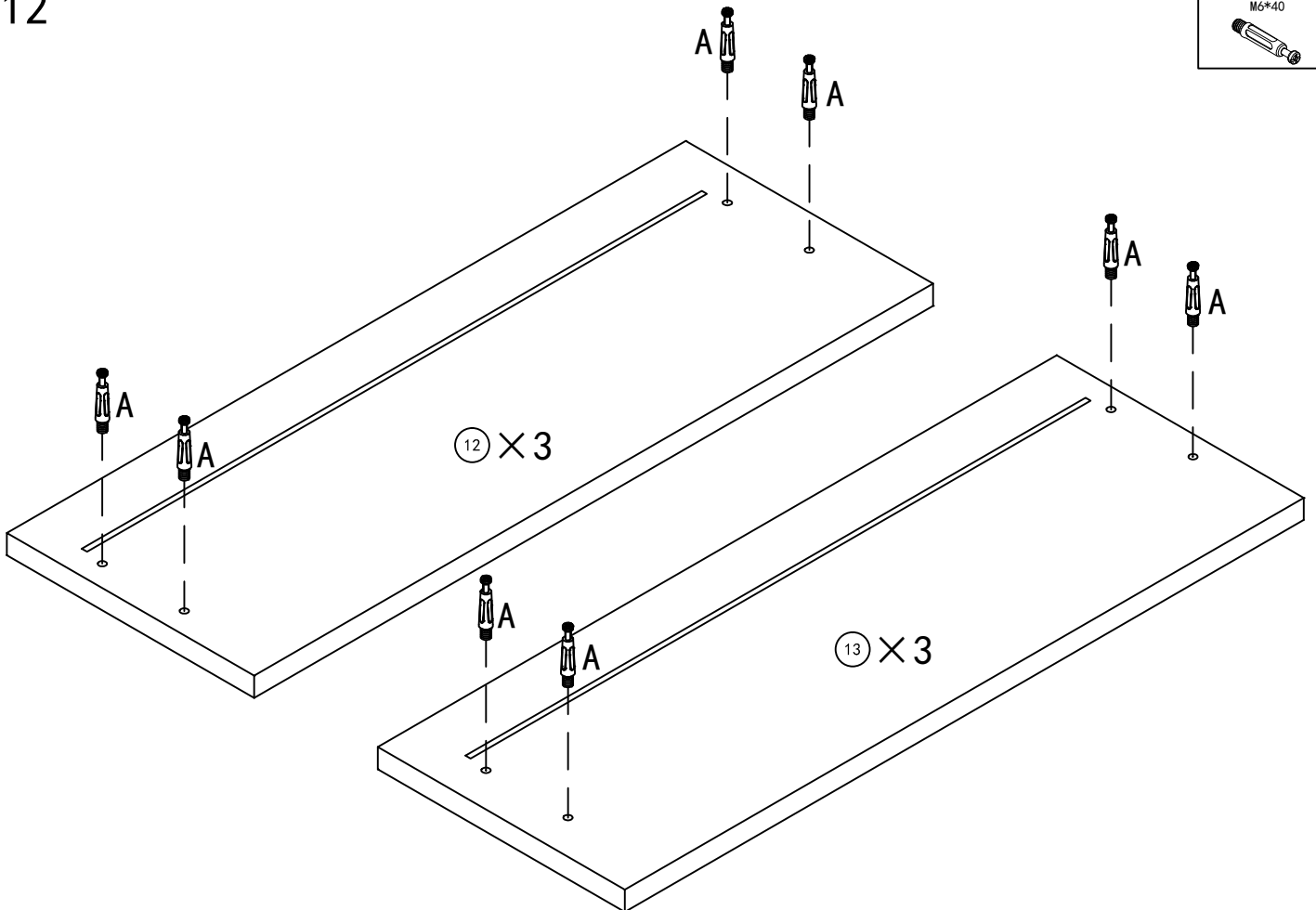
11

H	4PCS	J	26PCS
			



12

A	24PCS
M6*40	
	



B 24PCS M15*11	D 3SET DR DL GR CL	E 6PCS
F 24PCS M3.5*35	G 24PCS M3.5*14	

