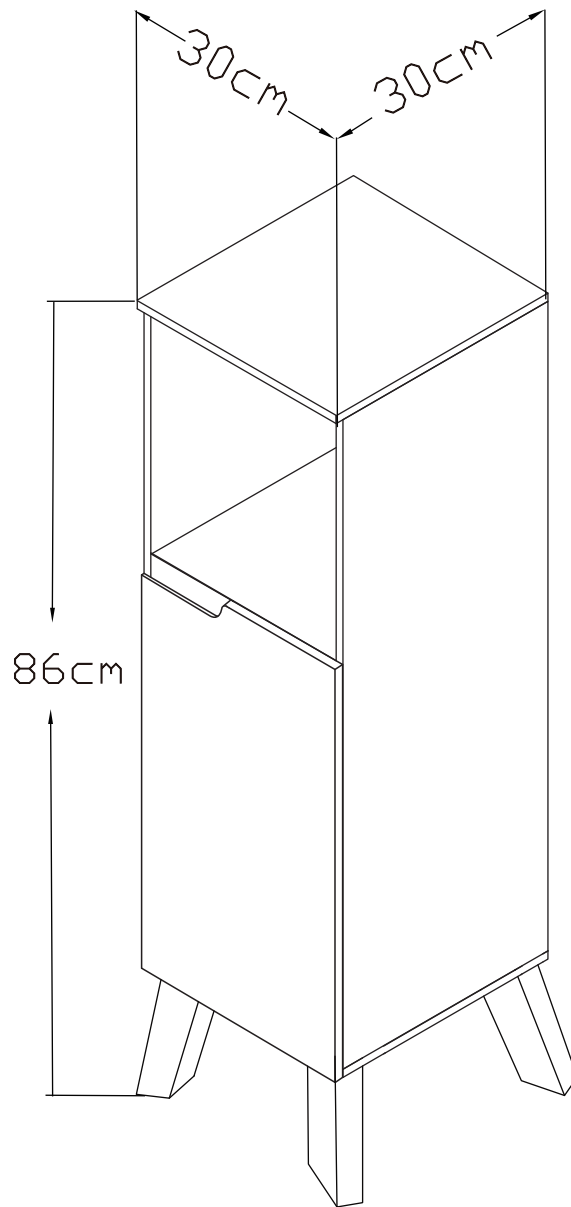



# GLOBAL PROCUREMENT AND MARKETING LIMITED

## FLOOR CABINET

Assembly Instructions – Please keep for future reference

CABFLOGY



Dimensions	No. people	Assembly Time	OW #
Width: 30 cm Depth: 30 cm Height: 86cm		20 mins (approx.)	CABFLOGY

*thank you*

For purchasing this  
**GPM Limited**  
product

**Important – Please read these instructions fully before starting assembly**

If you need help or have damaged or missing parts, please email [aftersales@gpmfurniture.co.uk](mailto:aftersales@gpmfurniture.co.uk)

# Safety and Care Advice

**Important-Please read these instructions fully before starting assembly**

- Check you have all the components and tools listed on pages 2,3 and 4.
- Remove all fittings from the plastic bags and separate them into their groups.
- Keep children and animals away from the work area, small parts could choke if swallowed.
- Make sure you have enough space to lay out the parts before starting.
- Do not stand or put weight on the product, this could cause damage.
- Assemble the item as close to its final position (in the same room) as possible.
- Assemble on a soft, level surface to avoid damaging the unit or your floor.
- We do not recommend the use of power drill/drivers for inserting screw, as this could damage the unit. only use hand screwdrivers.
- Dispose of all packaging carefully and responsibly.



## Care and Maintenance

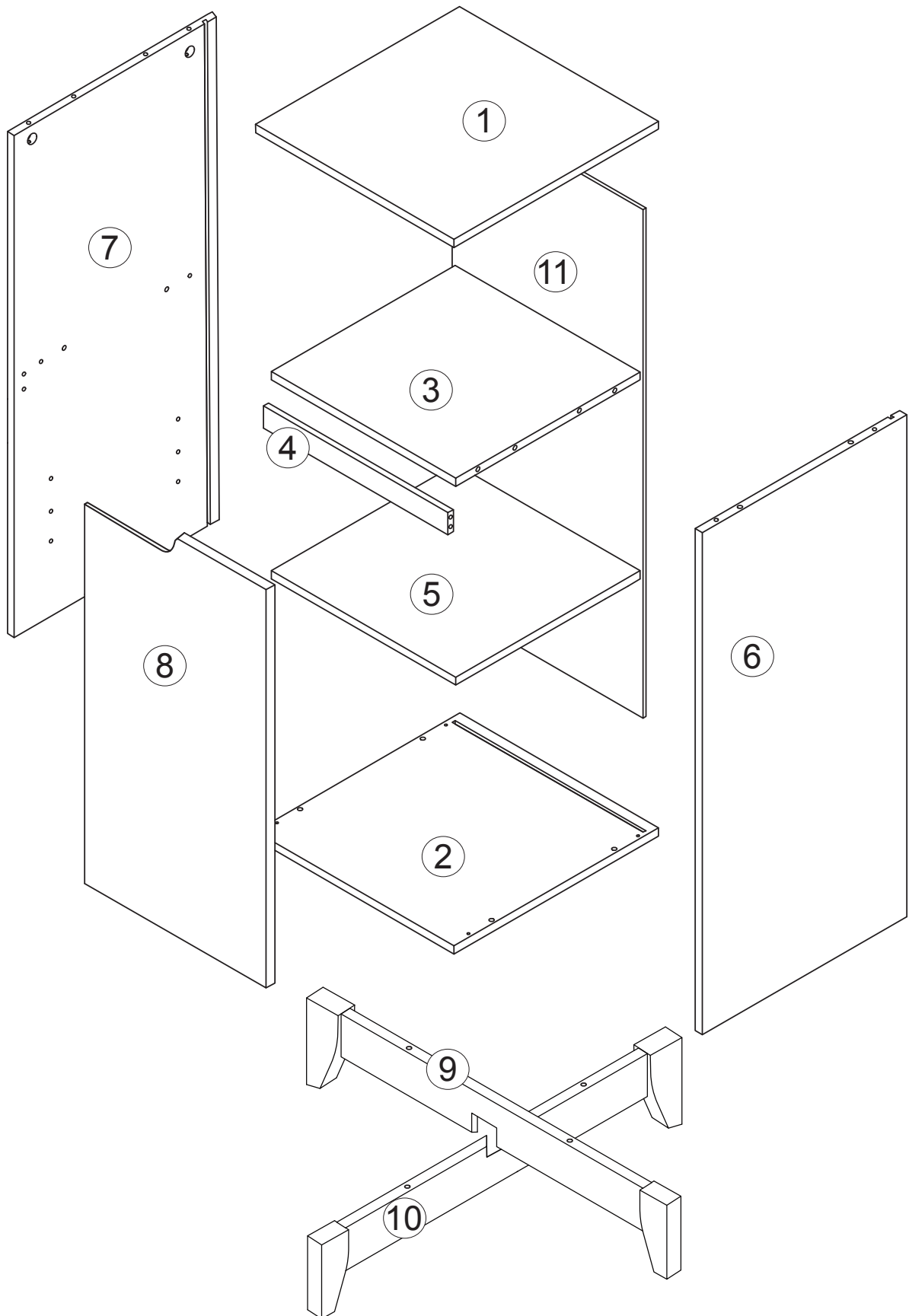
- Only clean using a damp cloth and mild detergent, do not use bleach or abrasive cleaners.
- From time to time check that there are no loose screws on this unit.
- This product should not be discarded with household waste. Take to your local authority waste disposal centre.

If you are unhappy with the product and wish to return it, please following the retailer's returns procedure.

---

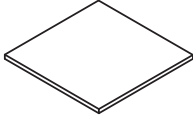
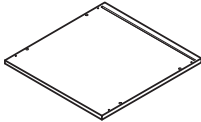
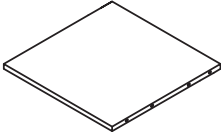
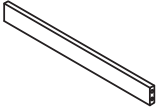
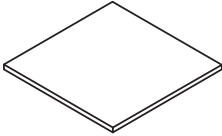
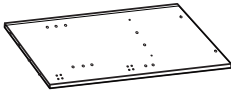
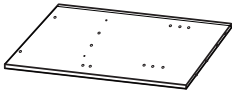
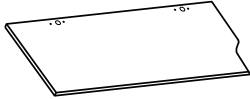
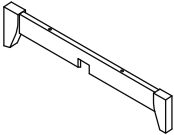
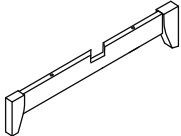
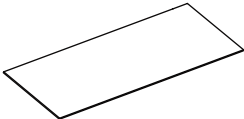
# Exploded View

If you have damaged or missing components,  
email: [aftersales@gpmfurniture.co.uk](mailto:aftersales@gpmfurniture.co.uk)



# Components - Panels

If you have damaged or missing components,  
email: [aftersales@gpmfurniture.co.uk](mailto:aftersales@gpmfurniture.co.uk)

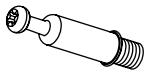





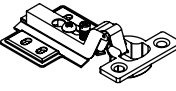
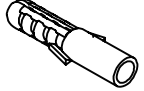



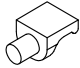


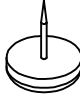
Part No	Description	Qty	Size (mm)	Thickness (mm)
1		1PC	300×300	12
2		1PC	300×285	12
3		1PC	274×268	12
4		1PC	275×50	12
5		1PC	274×268	12
6		1PC	716×285	12
7		1PC	716×285	12
8		1PC	465×300	12
9		1PC	400×123	24
10		1PC	400×123	24
11		1PC	724×282	3

# Components - Fixings

If you have damaged or missing components,  
email: [aftersales@gpmfurniture.co.uk](mailto:aftersales@gpmfurniture.co.uk)

**Please check that you have all the components listed below before constructing your item.**

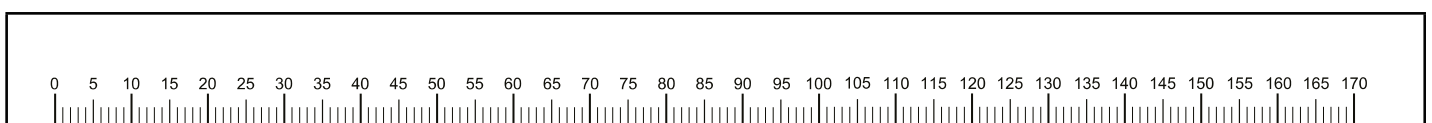
**Note:** The quantities below are the correct amount to complete the assembly. In some cases more fittings may be supplied than are required.

(A)		(B)		(C)		(D)	
X 8		X 8		X 16	M6 x 30mm	X 5	M4 x 35mm
(E)		(F)		(G)		(H)	
X 12	M4 x 12mm	X 4	M6 x 45mm	X 2		X 1	
(I)		(J)		(K)		(L)	
X 1		X 2		X 1		X 4	
(M)		(N)		(O)			
X 4	M3 x 14mm	X 4		X 4			

## Tools Required



**Ruler** – Use this to measure your screws (mm)



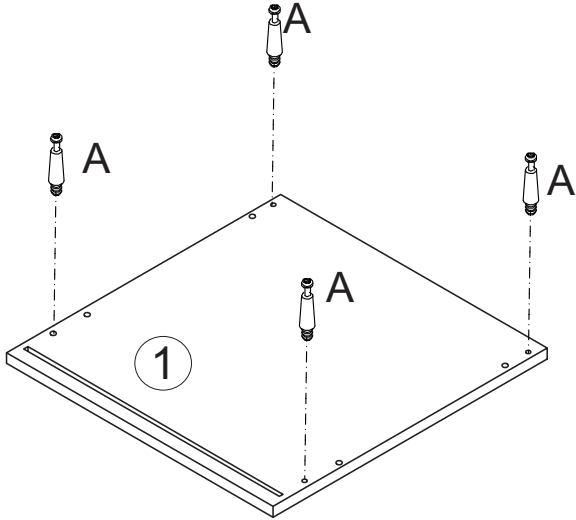
**Important** – Please read these instructions fully before starting assembly

If you need help or have damaged or missing parts, please email [aftersales@gpmfurniture.co.uk](mailto:aftersales@gpmfurniture.co.uk)

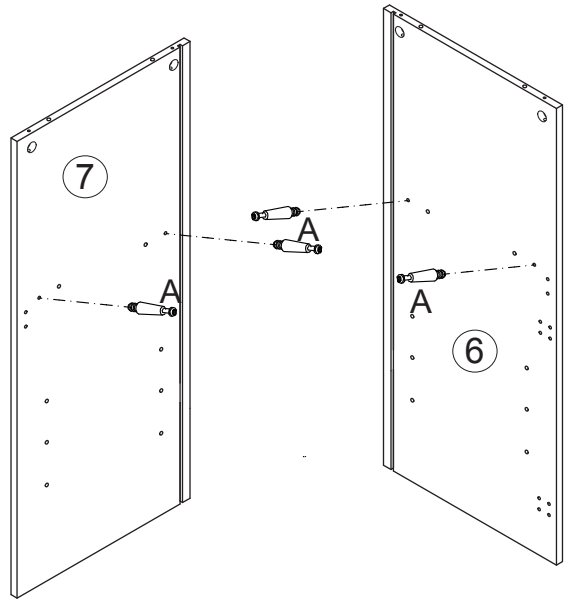
# Assembly Instructions

If you have damaged or missing components,  
email: [aftersales@gpmfurniture.co.uk](mailto:aftersales@gpmfurniture.co.uk)

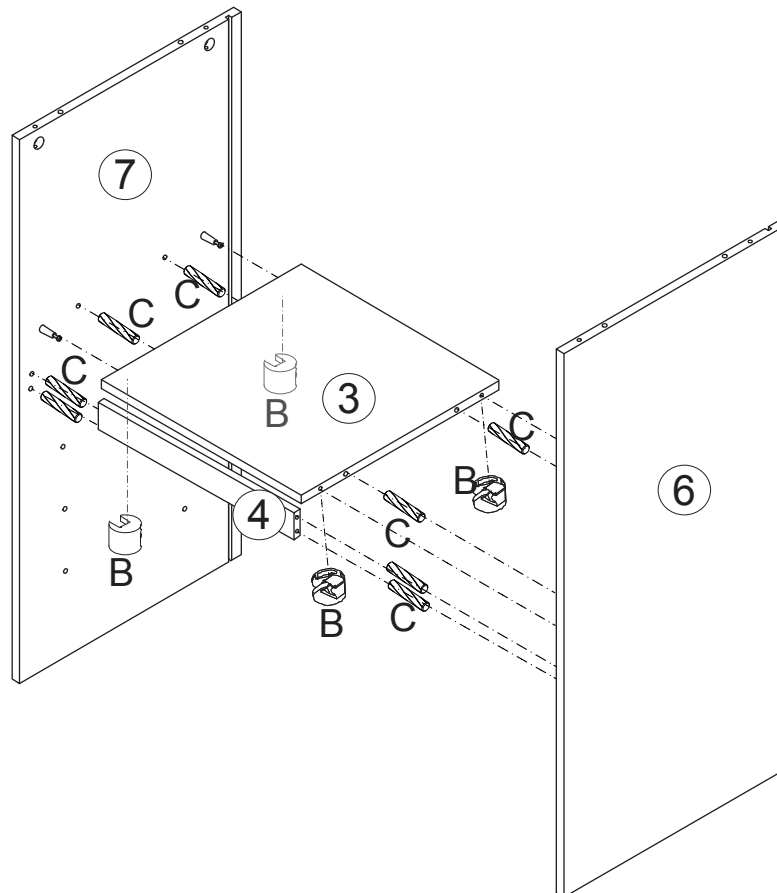
1



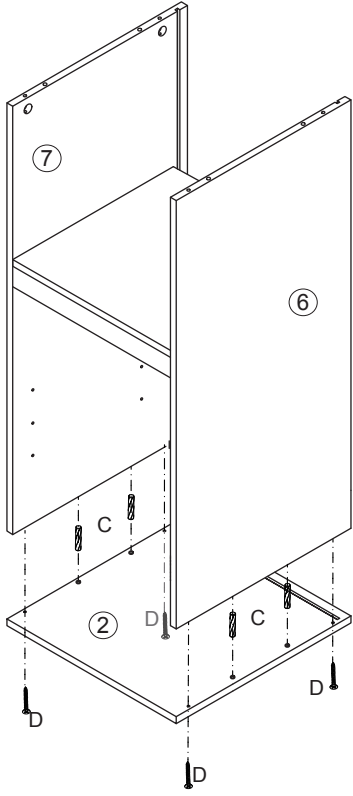
2



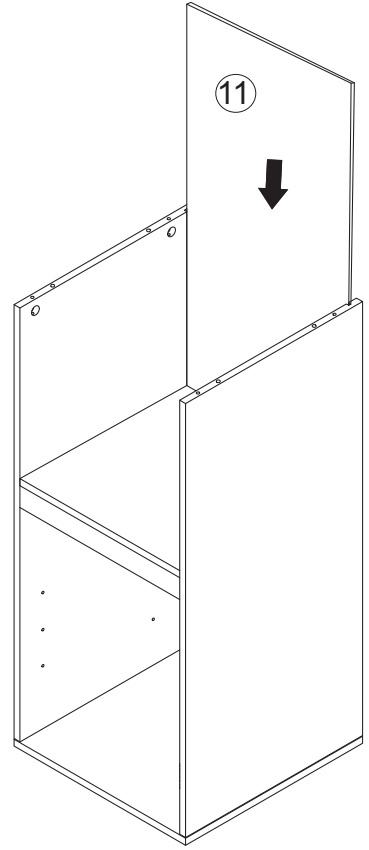
3



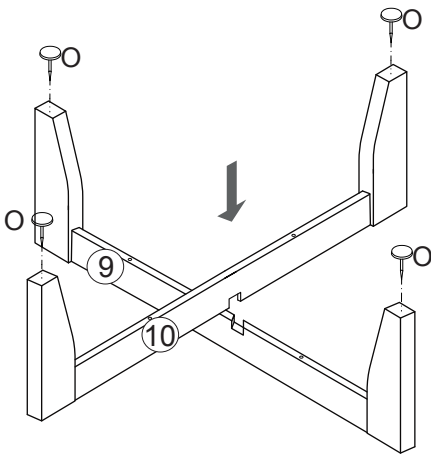
3



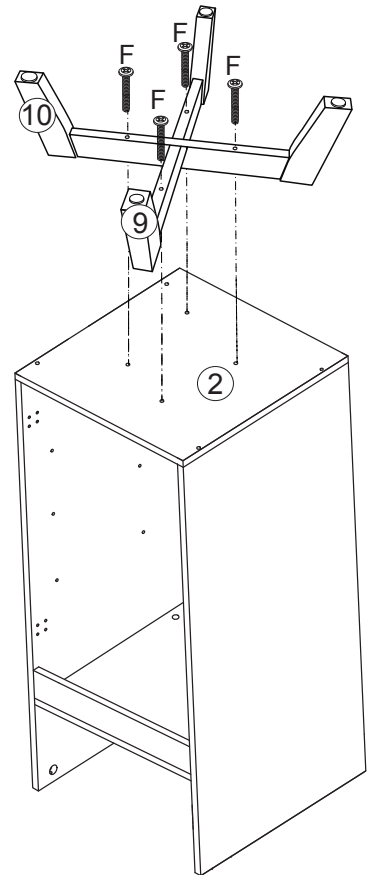
4



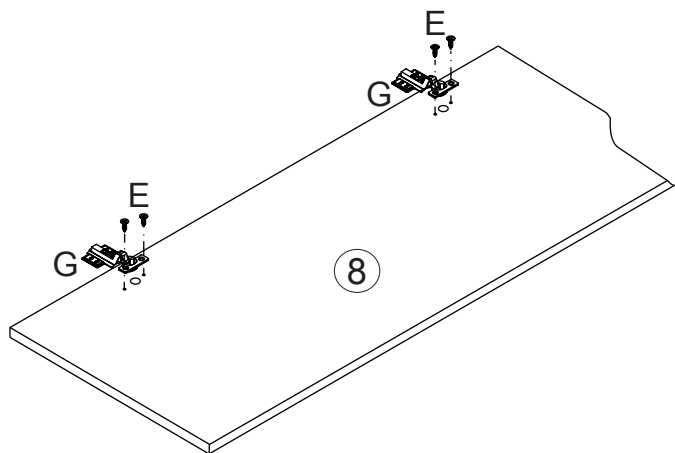
5



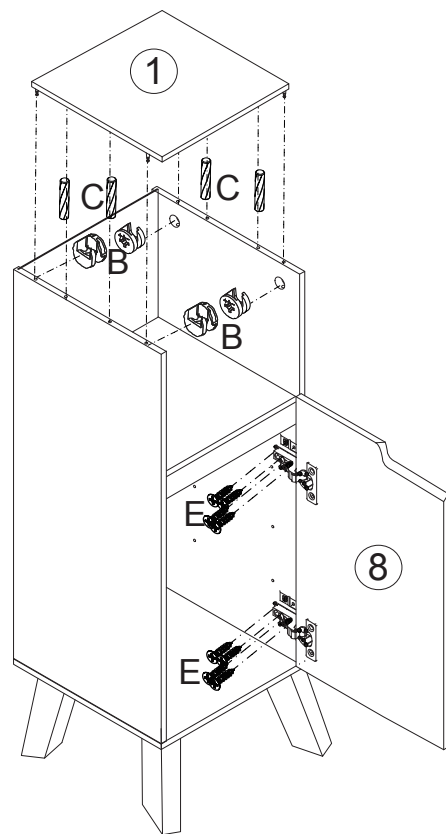
6



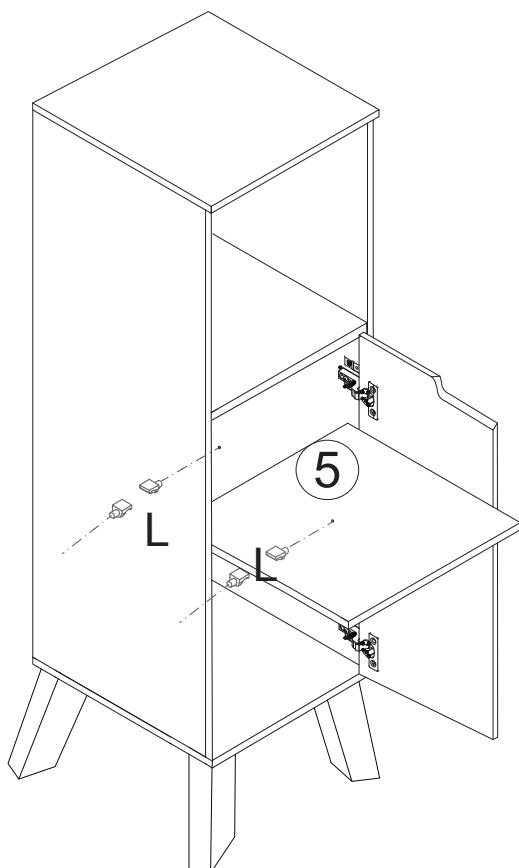
7



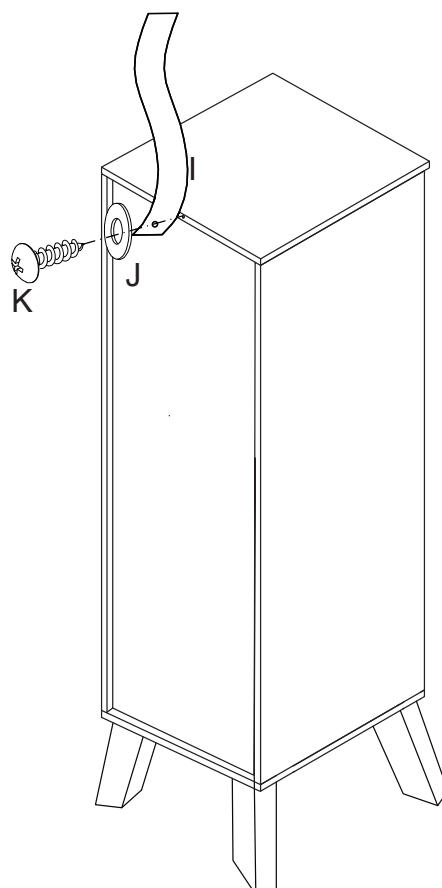
8



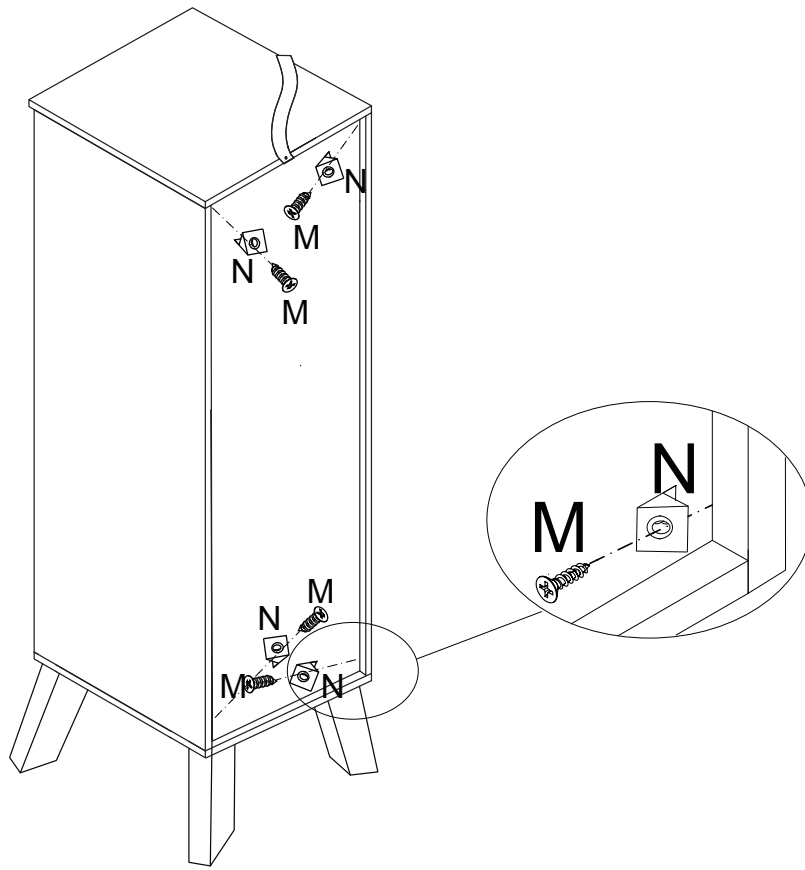
9



10



11



12

