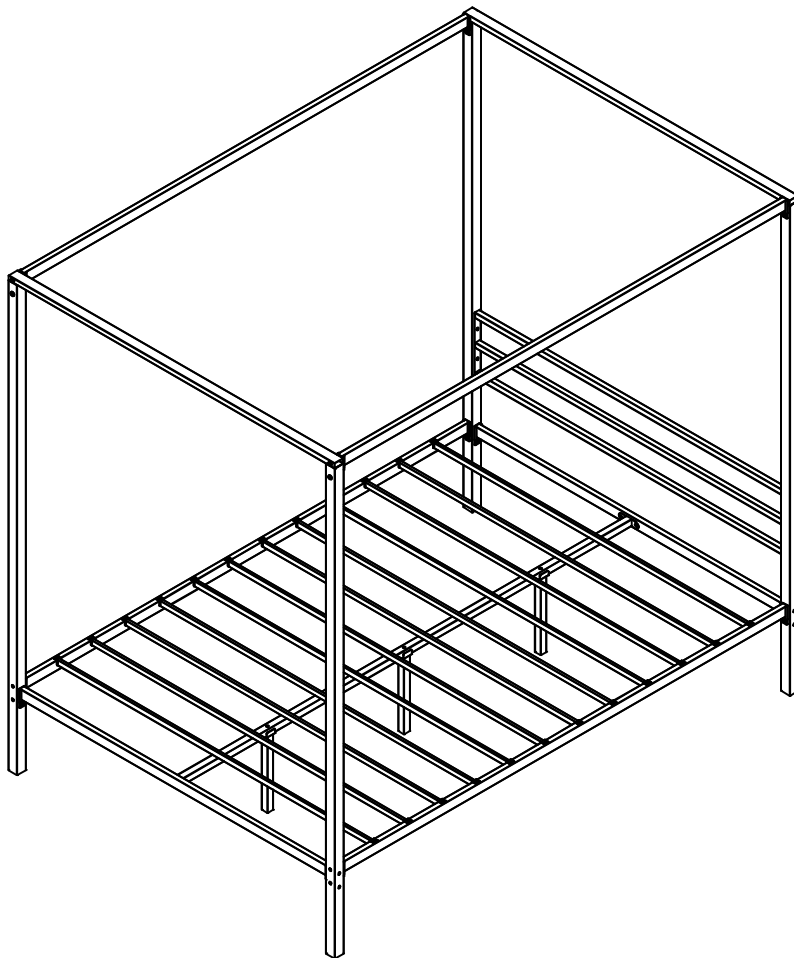
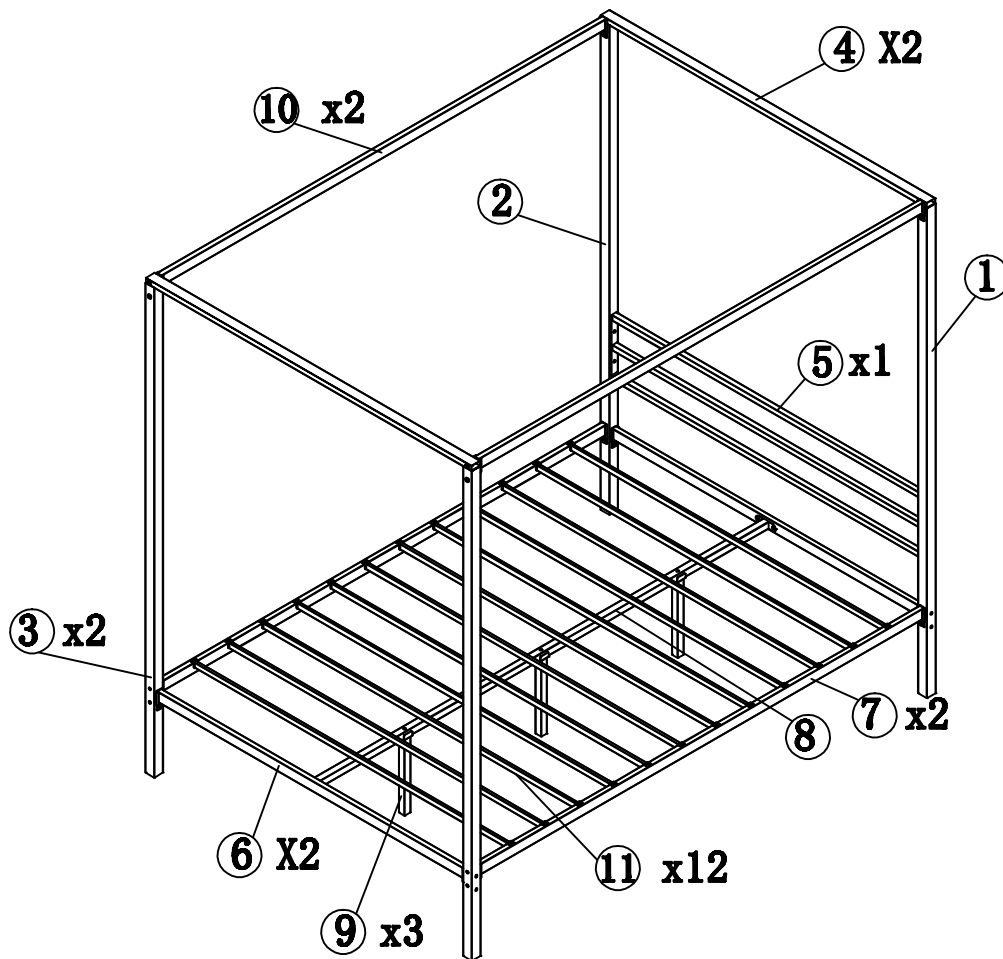



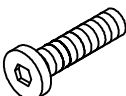
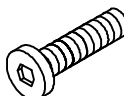
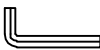
**SIERRA METAL BED  
ASSEMBLY INSTRUCTIONS**




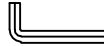
**Remarks: Two adults are required to assembly  
this bed**

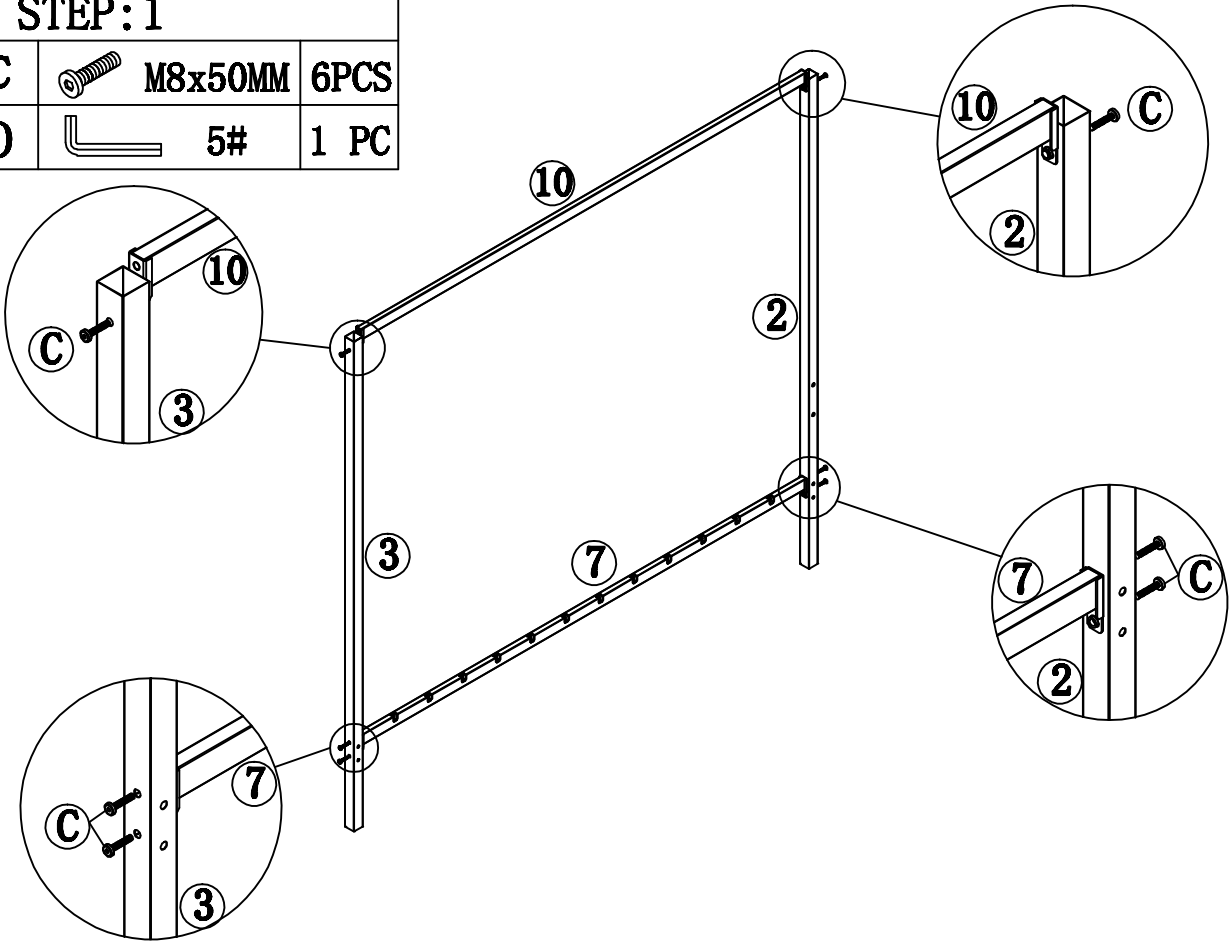


### HARDWARE


<b>A</b>  <b>M8x15MM</b> <b>8 PCS</b>	<b>B</b>  <b>M8x35MM</b> <b>3 PCS</b>	<b>C</b>  <b>M8x50MM</b> <b>24 PCS</b>	<b>D</b>  <b>M5</b> <b>1 PC</b>		
---	---	--	---	--	--

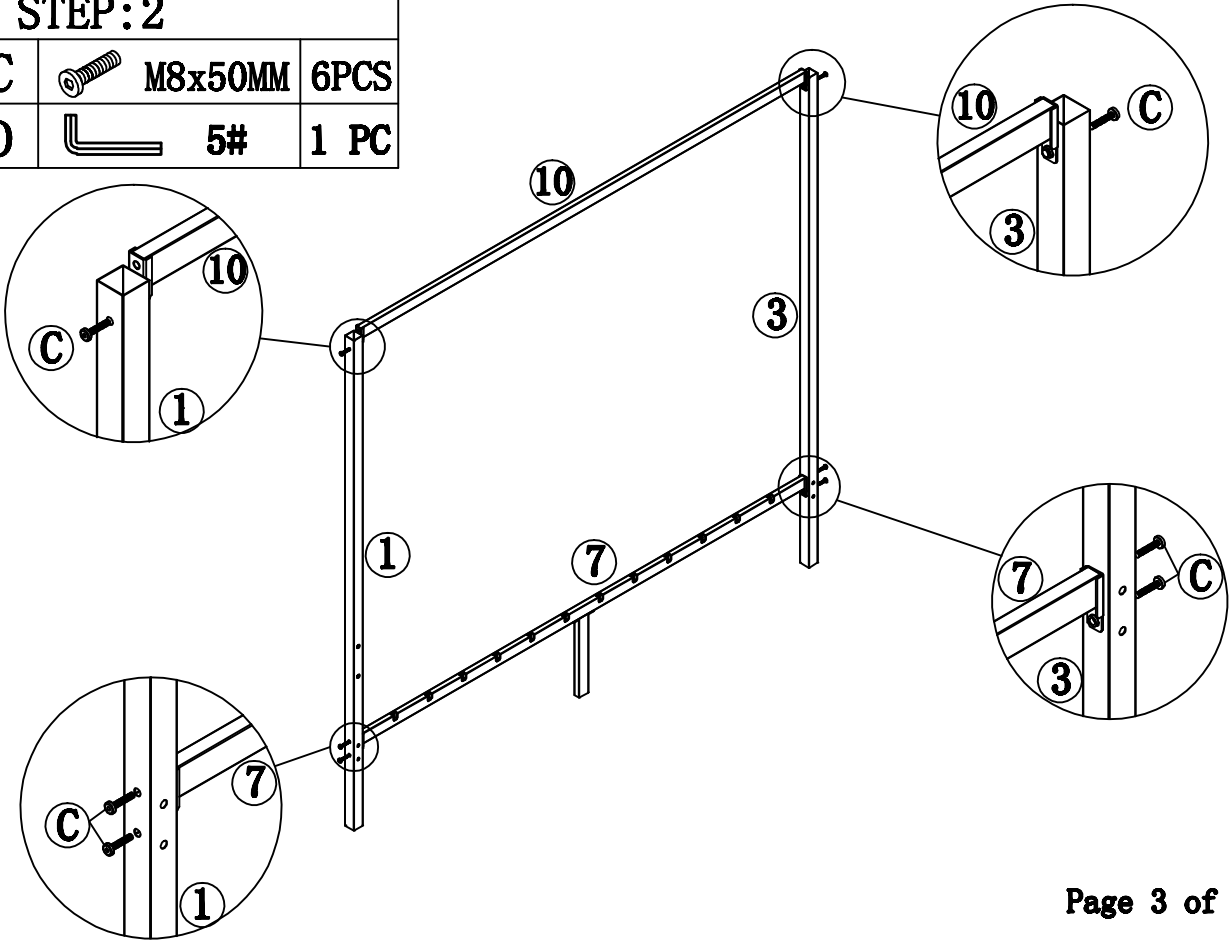
**STEP: 1**

<b>C</b>	 M8x50MM	6PCS
<b>D</b>	 5#	1 PC






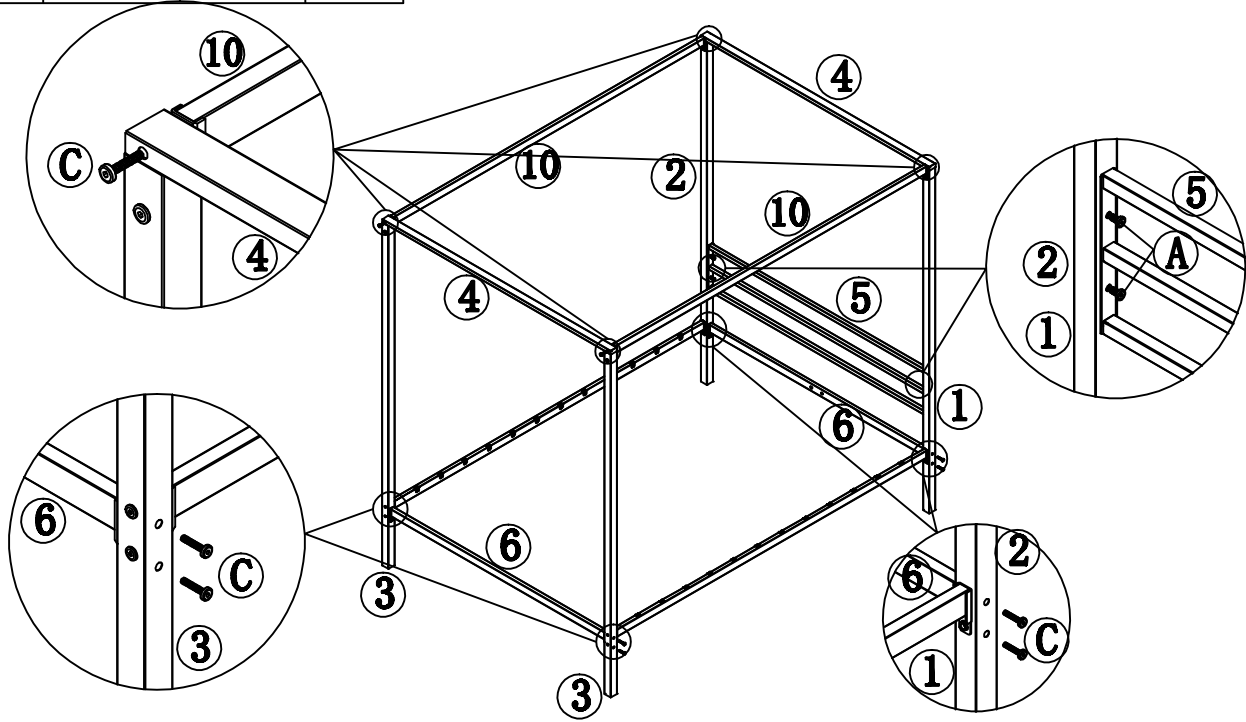
**STEP: 2**

<b>C</b>	 M8x50MM	6PCS
<b>D</b>	 5#	1 PC


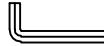


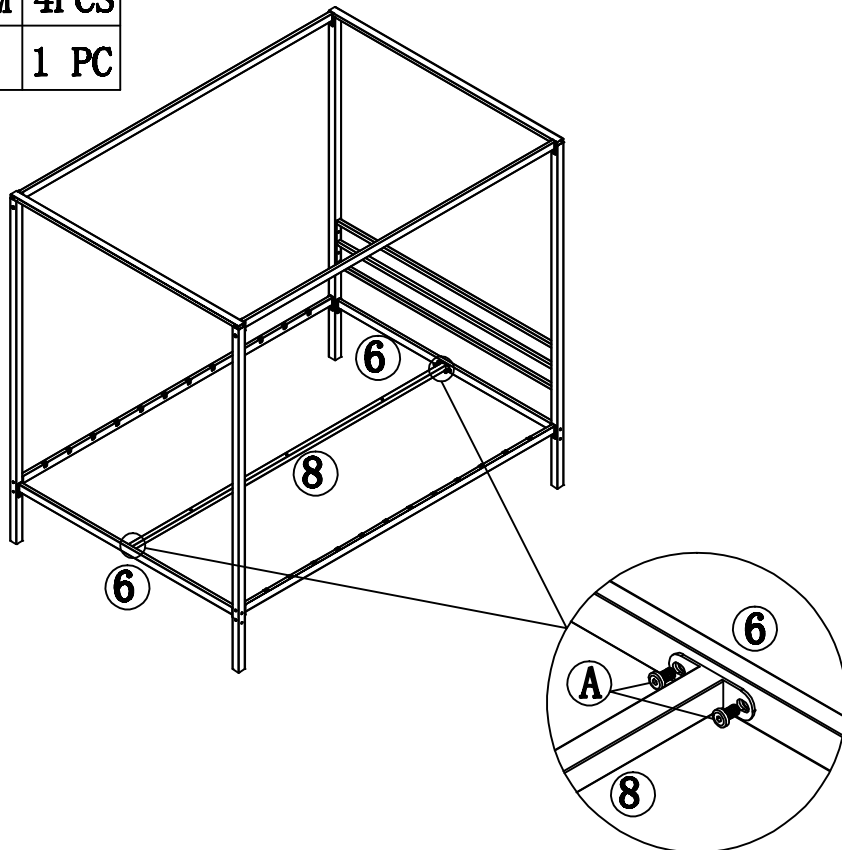
### STEP: 3

A		M8x15MM	4PCS
C		M8x50MM	12PCS
D		5#	1 PC


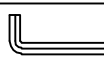


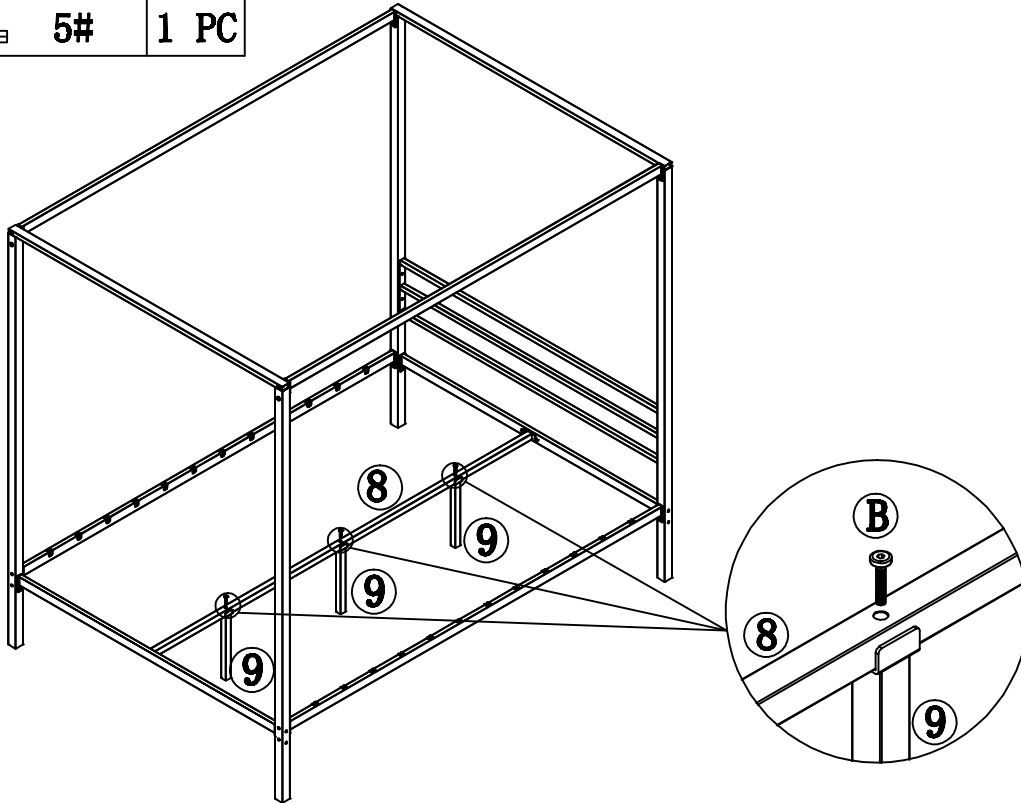
### STEP: 4

A		M8x15MM	4PCS
D		5#	1 PC



**STEP: 5**

<b>B</b>	 M8x35MM	3PCS
<b>D</b>	 5#	1 PC



**STEP: 7**

