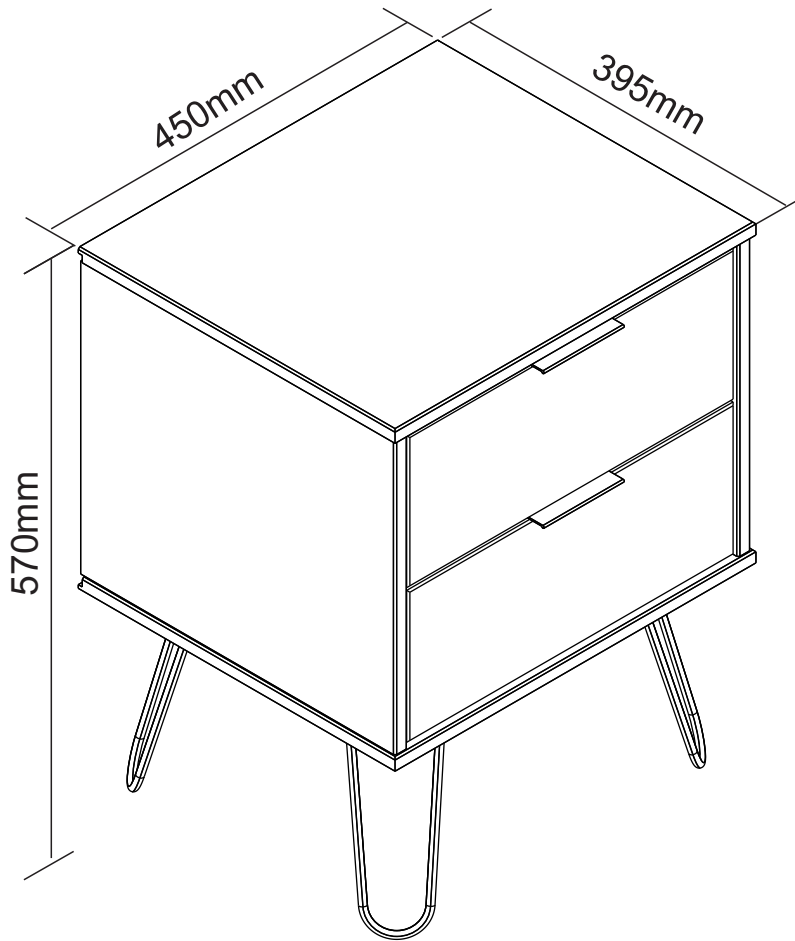



GLOBAL PROCUREMENT AND MARKETING LIMITED

ACADIA BEDSIDE

Assembly Instructions – Please keep for future reference

BSDACA2DW



Dimensions	No. people	Assembly Time	SKU#
Width: 45cm Depth: 39.5cm Height: 57cm		65 mins (approx.)	GP0596 2022/0261

thank you

For purchasing this
GPM Limited
product

Important – Please read these instructions fully before starting assembly

If you need help or have damaged or missing parts, please email aftersales@gpmfurniture.co.uk

Safety and Care Advice

Important – Please read these instructions fully before starting assembly

- Check you have all the components and tools listed on pages 4 and 5.
- Remove all fittings from the plastic bags and separate them into their groups.
- Keep children and animals away from the work area, small parts could choke if swallowed.
- Make sure you have enough space to lay out the parts before starting.
- Do not stand or put weight on the product, this could cause damage.
- Assemble the item as close to its final position (in the same room) as possible.
- Assemble on a soft, level surface to avoid damaging the unit or your floor.
- We do not recommend the use of power drill/drivers for inserting screws, as this could damage the unit. Only use hand screwdrivers.
- Dispose of all packaging carefully and responsibly.



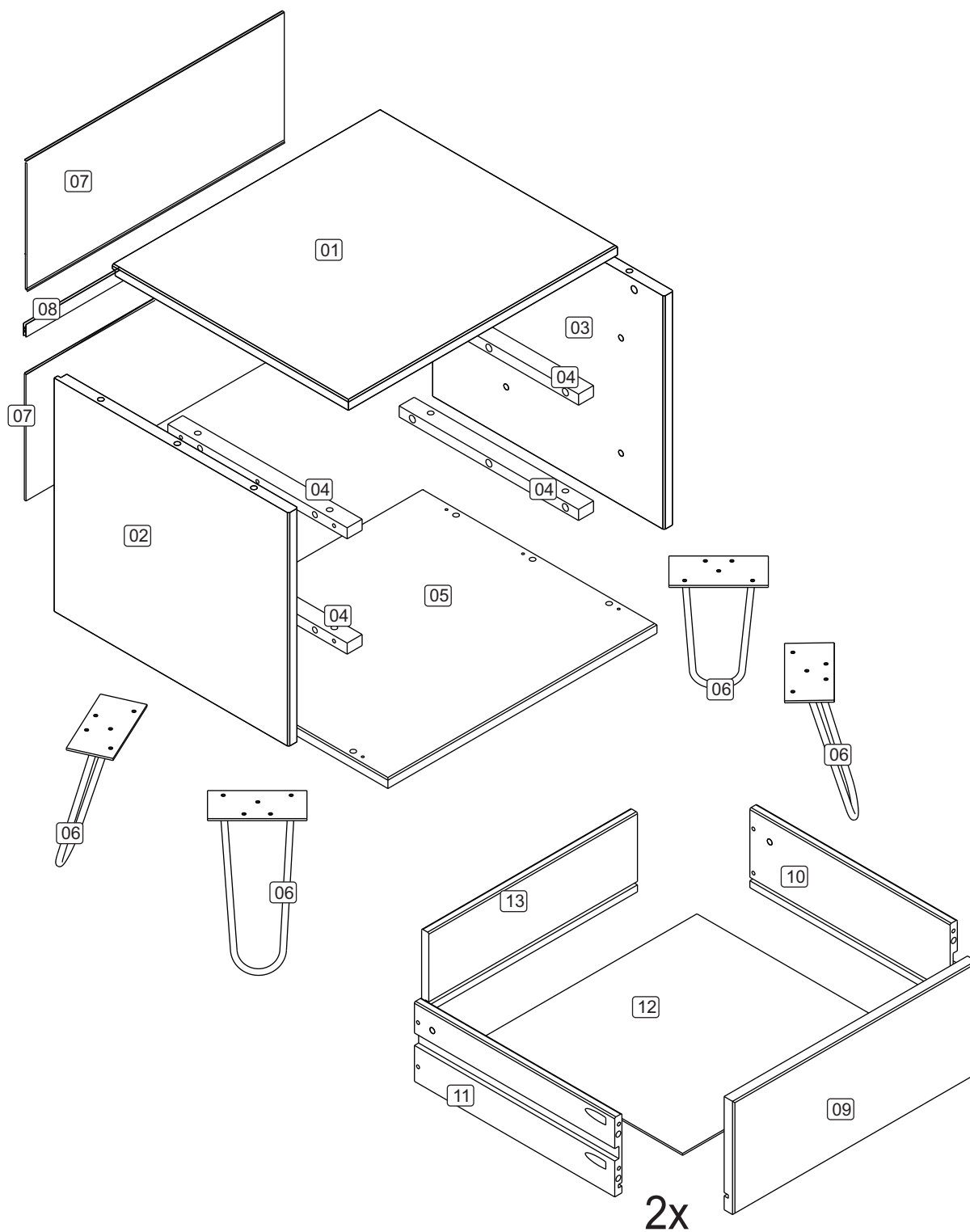
Care and Maintenance

- Only clean using a damp cloth and mild detergent, do not use bleach or abrasive cleaners.
- From time to time check that there are no loose screws on this unit.
- This product should not be discarded with household waste. Take to your local authority waste disposal centre.

If you are unhappy with the product and wish to return it, please follow the retailer's returns procedure.

Exploded View

If you have damaged or missing components,
email: aftersales@gpmfurniture.co.uk

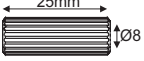
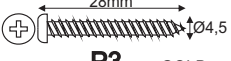
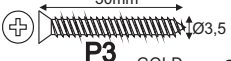
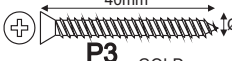
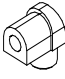
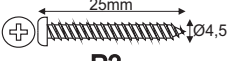

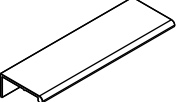
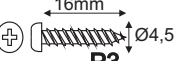
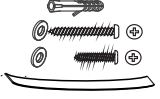
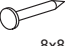


Components - Fixings

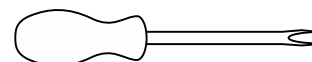
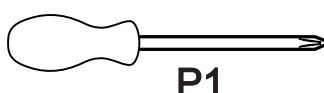
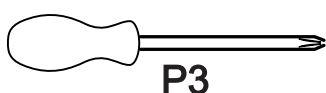
If you have damaged or missing components,
email: aftersales@gpmfurniture.co.uk

Please check that you have all the components listed below before constructing your item.

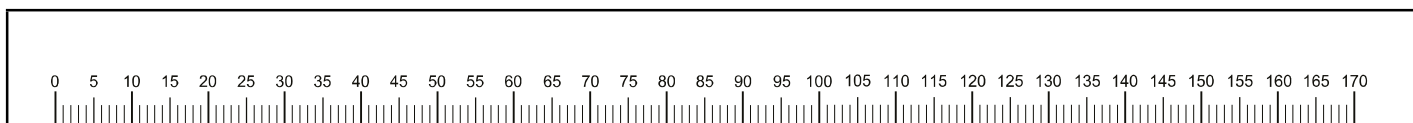
Note: The quantities below are the correct amount to complete the assembly. In some cases more fittings may be supplied than are required.

(A)	 x36	(B)	 P3 GOLD x20	(C)	 P3 GOLD x08	(D)	 P3 GOLD x06
(E)	 x06	(F)	 P3 GOLD x06	(G)	 P3 BLACK x04	(H)	 x02
(J)	 GOLD P3 x20	(Y)	 x01	(Z)	 8x8 x22		

Tools Required



Ruler – Use this to measure your screws (mm)



Important – Please read these instructions fully before starting assembly

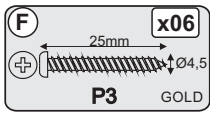
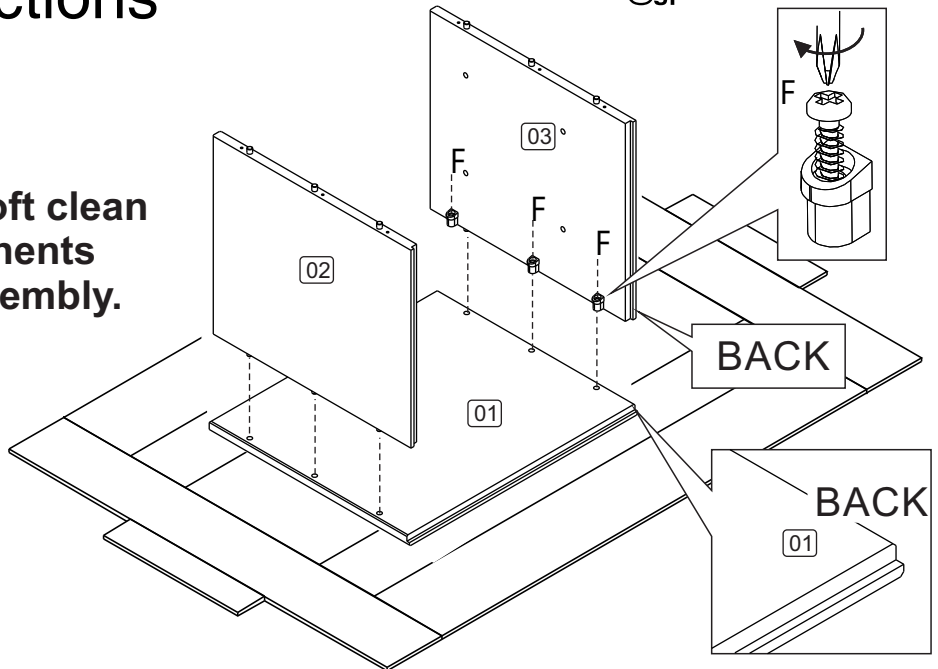
If you need help or have damaged or missing parts, please email aftersales@gpmfurniture.co.uk

Assembly Instructions

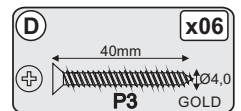
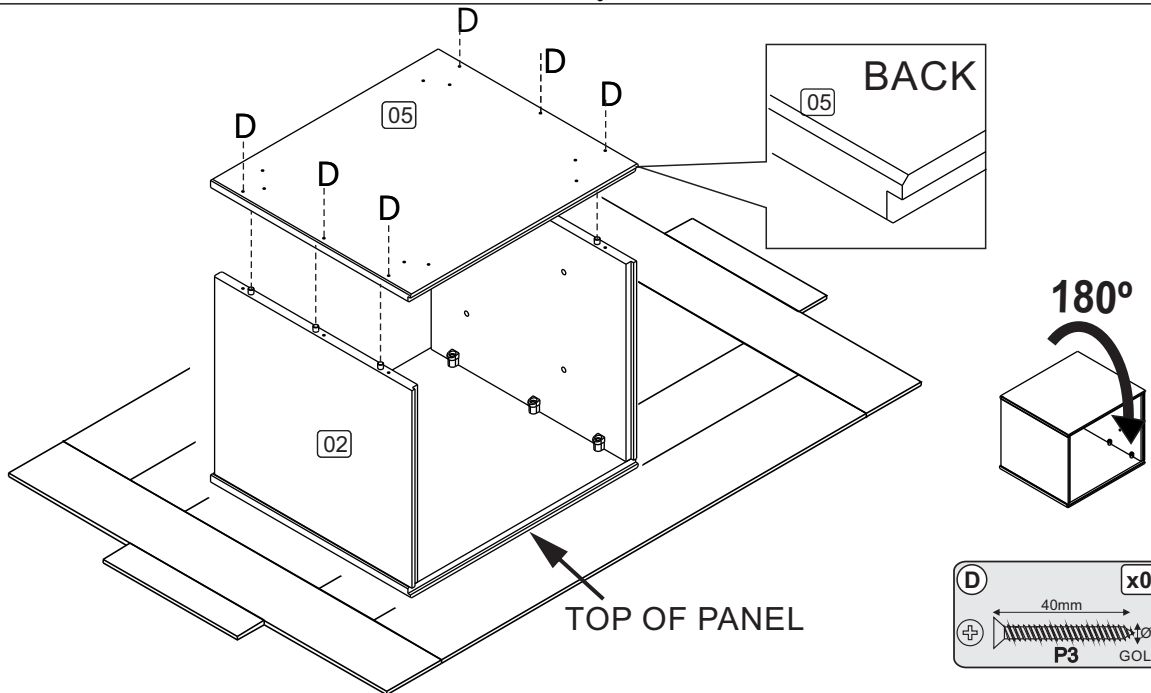
If you have damaged or missing components, email: aftersales@gpmfurniture.co.uk

Step 4

Build your furniture on a soft clean cover to stop the components getting marked during assembly.

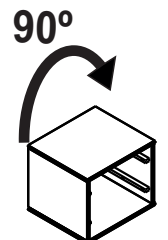
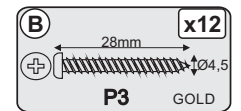
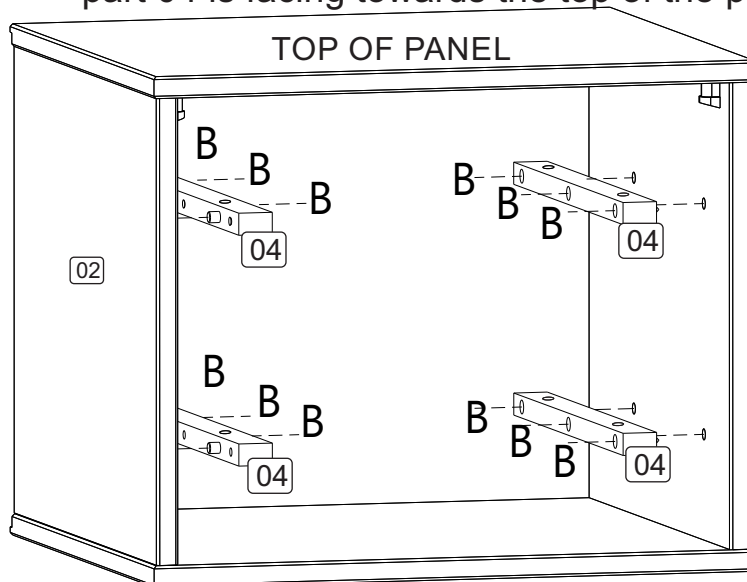


Step 5



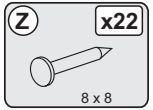
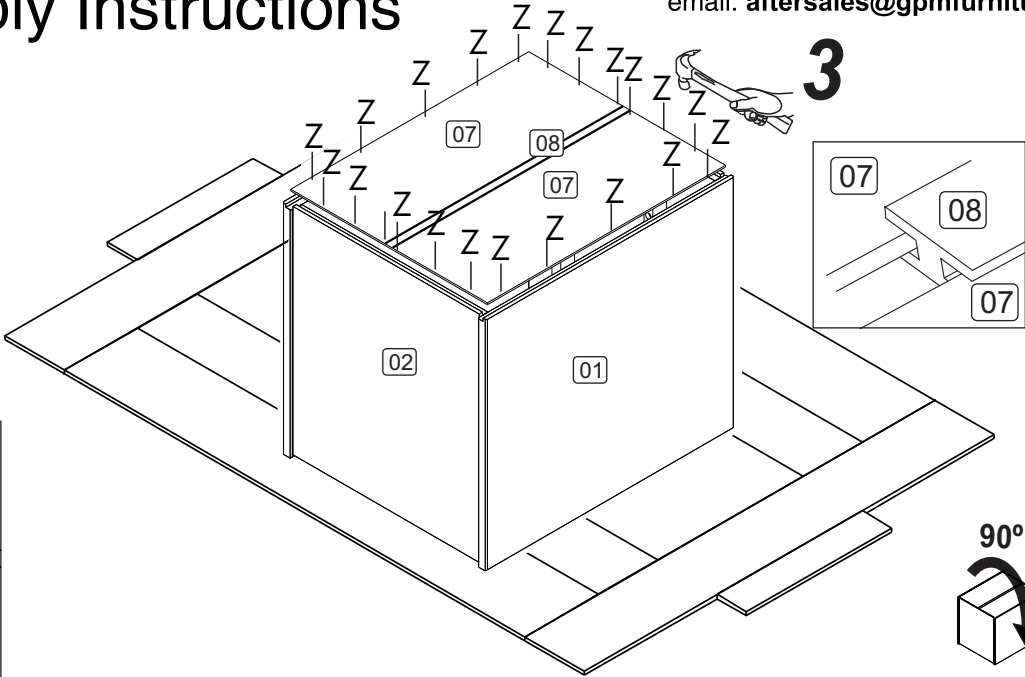
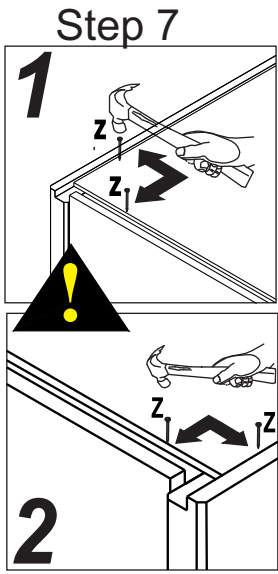
Step 6

Ensure the drawer runner side with 2 holes for dowels part 04 is facing towards the top of the panel.

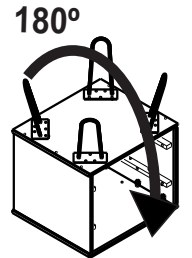
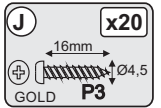
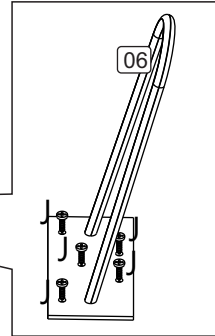
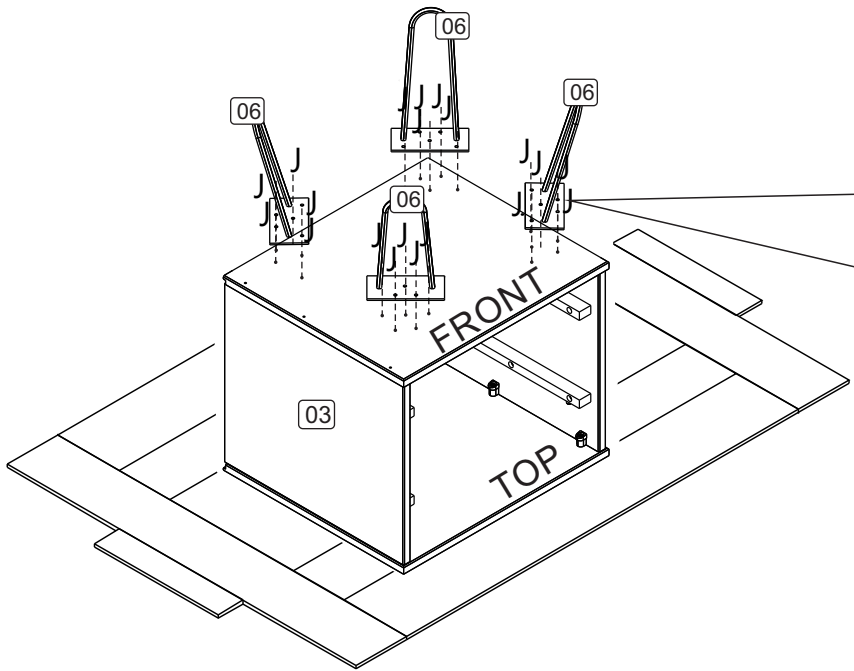


Assembly Instructions

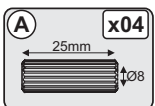
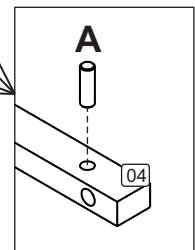
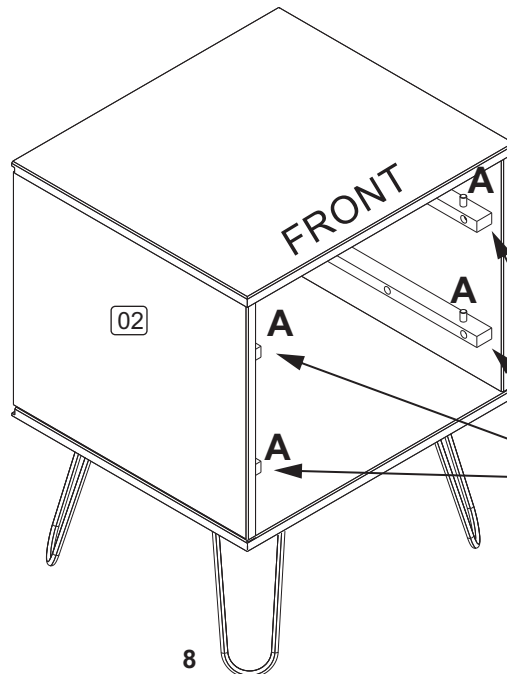
If you have damaged or missing components,
email: aftersales@gpmfurniture.co.uk



Step 8



Step 9

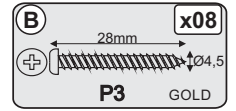
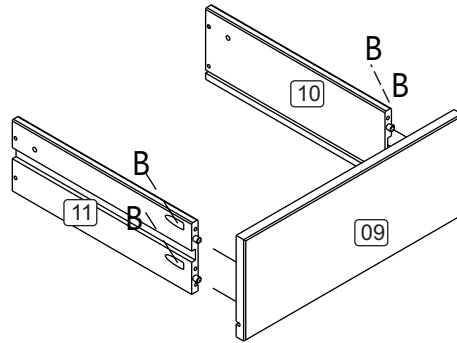


Assembly Instructions

If you have damaged or missing components,
email: aftersales@gpmfurniture.co.uk

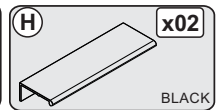
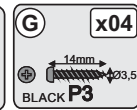
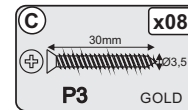
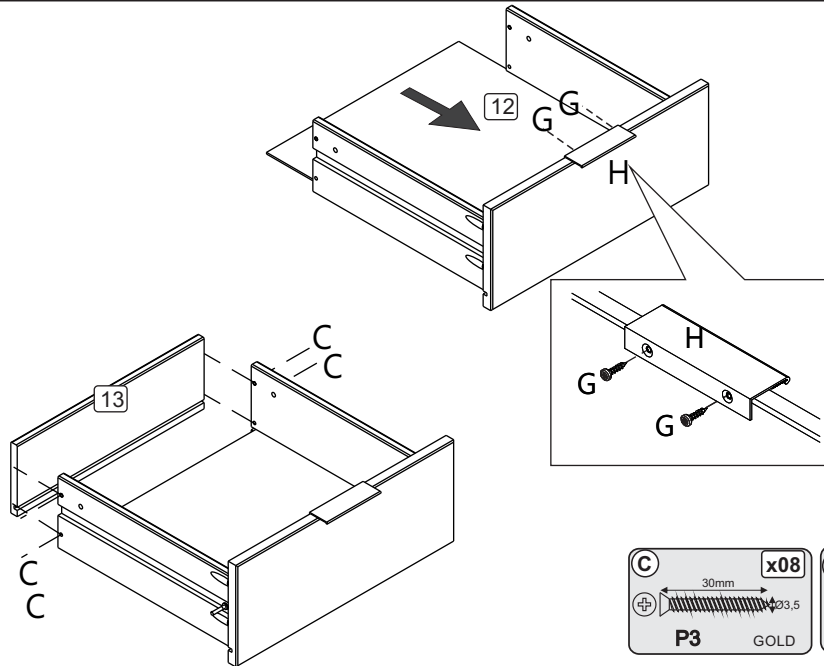
Step 10

2x



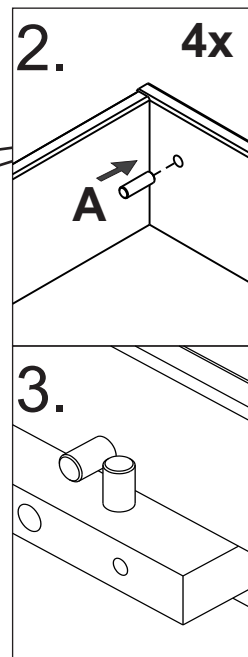
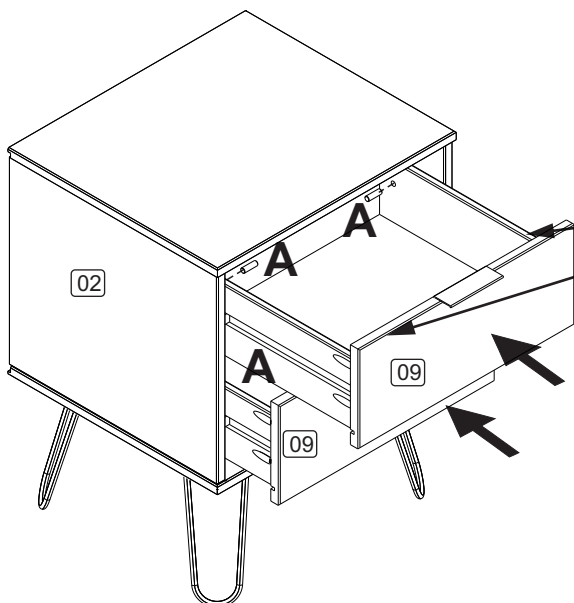
Step 11

2x



Step 12

Fixing drawer safety stops
1; Insert drawers into frame
by approximately 50mm.

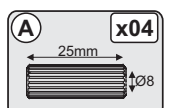


2; Push wooden dowels in through the pre-drilled holes close to the back of the drawer sides until they are level with the inside edge of the drawer sides.

3; Check the position of the drawer stops are correct by opening and closing the drawers.

IMPORTANT NOTICE

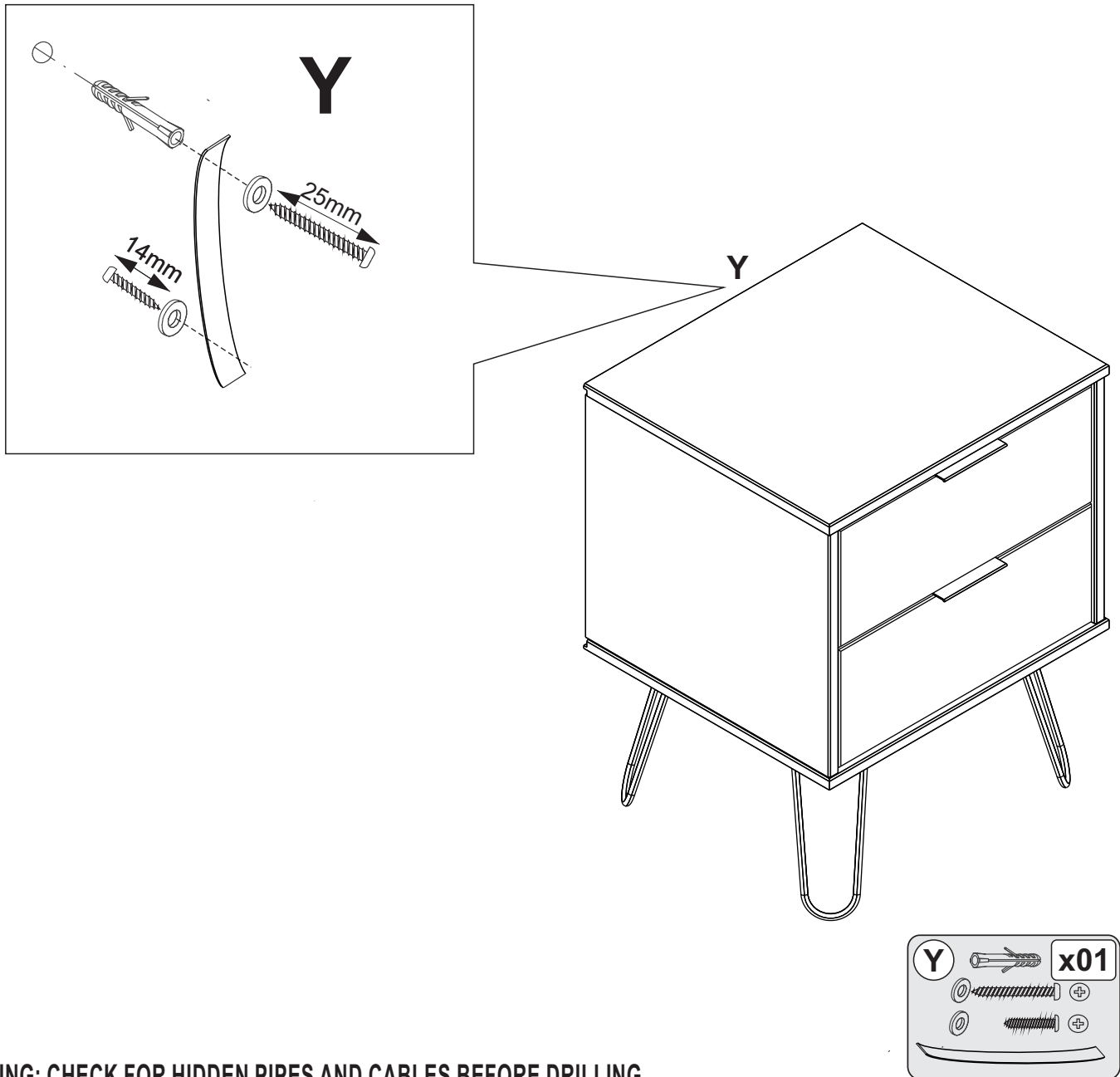
Please avoid opening all drawers simultaneously as this could cause your furniture to fall forwards. Where there is a risk of this occurring, especially in environments with children or uneven floors we recommend that this item of furniture is attached to your wall using appropriate fixings (supplied).



Assembly Instructions

If you have damaged or missing components,
email: aftersales@gpmfurniture.co.uk

Step 13



WARNING: CHECK FOR HIDDEN PIPES AND CABLES BEFORE DRILLING.

IMPORTANT: IF YOUR WALLS ARE NOT SOLID LIKE BRICK OR STONE, YOU WILL REQUIRE SPECIALIST FITTINGS (NOT SUPPLIED).

- Place fixing strip against the wall and mark position for drilling hole.
- Drill hole in your wall to a depth of 30mm using a 6mm drill bit. If the surface of your wall is soft and crumbly, we would advise you to use a 5mm drill bit for a tighter fit.
- Insert plug into hole with end flush to the wall surface.
- Attach fixing strip to the wall using the 25mm screw + washer and securely tighten.
- Pre-drill small pilot hole on the back edge of the furniture top using a 2mm drill bit. Attach the other end of fixing strip to the back edge of the furniture top using the 14mm screw + washer and securely tighten.