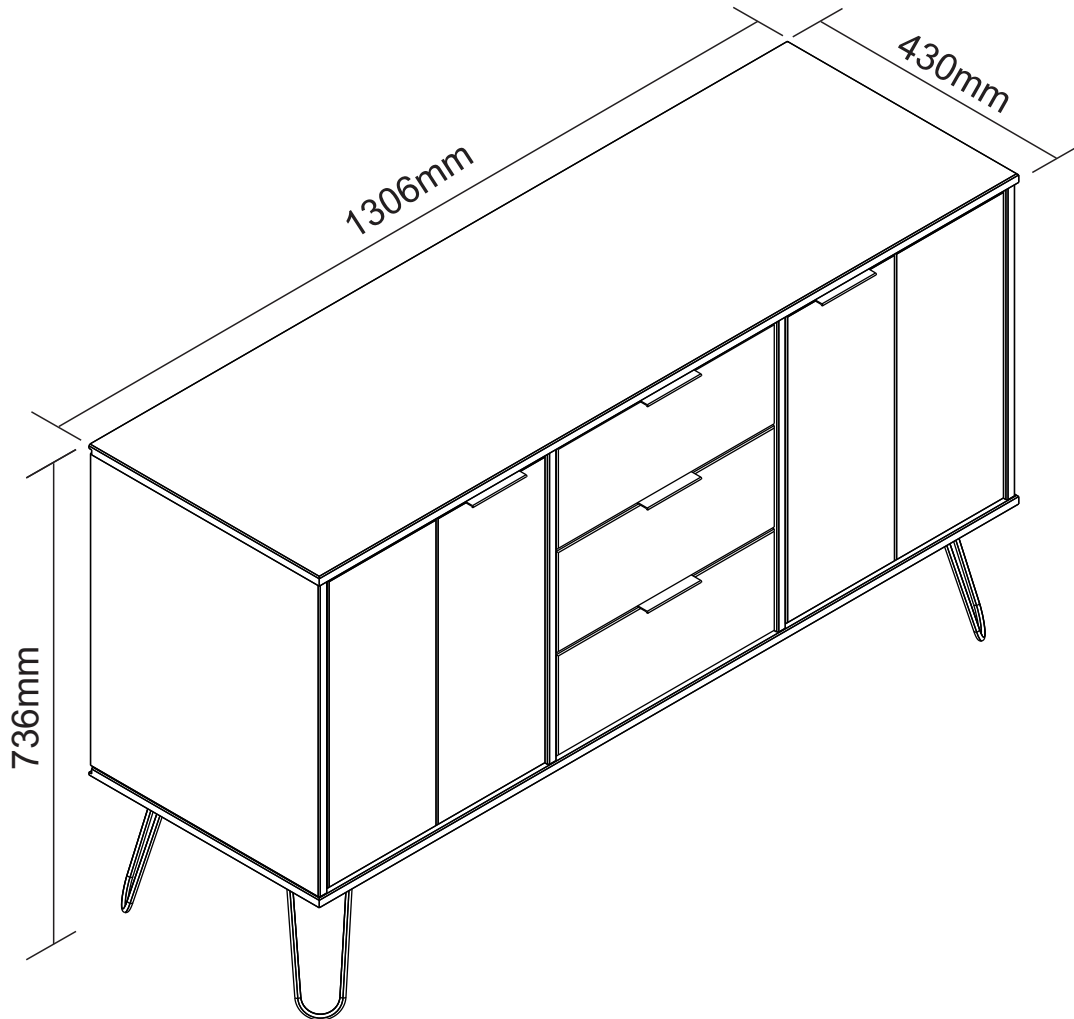



# GLOBAL PROCUREMENT AND MARKETING LIMITED

## ACADIA 3 DRAWER SIDEBORD

Assembly Instructions – Please keep for future reference

SIDACA3DW



Dimensions	No. people	Assembly Time	SKU#
Width: 130.6cm Depth: 43cm Height: 73.6cm		115 mins (approx.)	GP0596 2022/0261

*thank you*

For purchasing this  
**GPM Limited**  
product

**Important** – Please read these instructions fully before starting assembly

If you need help or have damaged or missing parts, please email [aftersales@gpmfurniture.co.uk](mailto:aftersales@gpmfurniture.co.uk)

## Safety and Care Advice

**Important – Please read these instructions fully before starting assembly**

- Check you have all the components and tools listed on pages 4 and 5.
- Remove all fittings from the plastic bags and separate them into their groups.
- Keep children and animals away from the work area, small parts could choke if swallowed.
- Make sure you have enough space to lay out the parts before starting.
- Do not stand or put weight on the product, this could cause damage.
- Assemble the item as close to its final position (in the same room) as possible.
- Assemble on a soft, level surface to avoid damaging the unit or your floor.
- We do not recommend the use of power drill/drivers for inserting screws, as this could damage the unit. Only use hand screwdrivers.
- Dispose of all packaging carefully and responsibly.



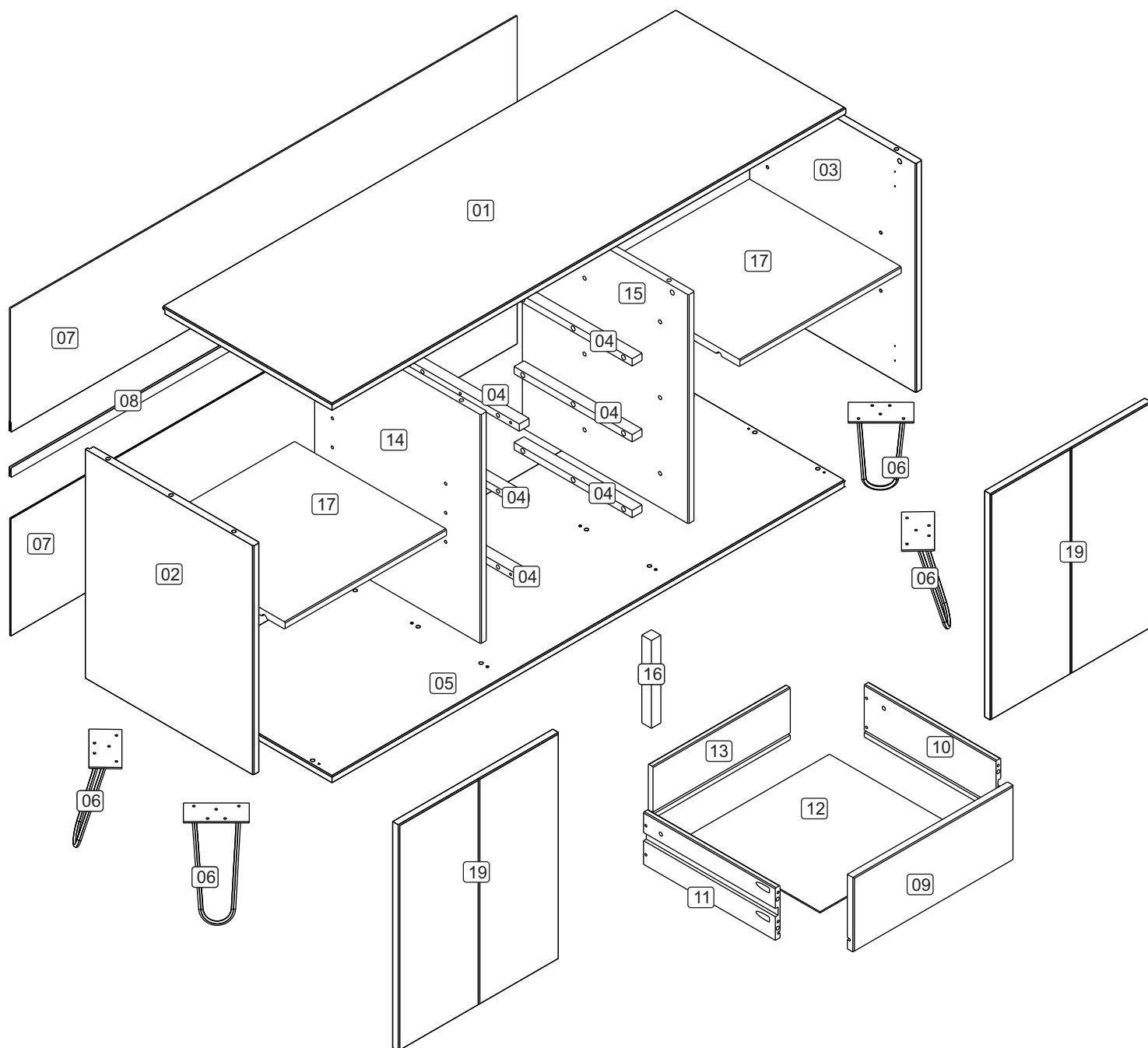
## Care and Maintenance

- Only clean using a damp cloth and mild detergent, do not use bleach or abrasive cleaners.
- From time to time check that there are no loose screws on this unit.
- This product should not be discarded with household waste. Take to your local authority waste disposal centre.

**If you are unhappy with the product and wish to return it, please follow the retailer's returns procedure.**

# Exploded View

If you have damaged or missing components,  
email: [aftersales@gpmfurniture.co.uk](mailto:aftersales@gpmfurniture.co.uk)



# Components - Panels

If you have damaged or missing components,  
email: [aftersales@gpmfurniture.co.uk](mailto:aftersales@gpmfurniture.co.uk)

**Please check that you have all the components listed below before constructing your item.**

Part No	Description	Qty	Size (mm)	Thickness (mm)
1	TOP	1	1306 X 430	16
2	LEFT SIDE PANEL	1	504 X 427	16
3	RIGHT SIDE PANEL	1	504X 427	16
4	DRAWER SLIDE	6	300 X 25	16
5	BASE	1	1306 X 430	16
6	LEG	4	200 X 115	50
7	BACK PANEL	2	1286 X 258	3
8	H PROFILE	1	1285 X 28	8
9	DRAWER FRONT	3	407 X 163	16
10	RIGHT DRAWER SIDE	3	335 X 115	12
11	LEFT DRAWER SIDE	3	335 X 115	12
12	DRAWER BOTTOM	3	359 X 335	3
13	DRAWER BACK	3	349 X 115	12
14	LEFT CENTRE PANEL	1	504 X 422	16
15	RIGHT CENTRE PANEL	1	504 X 422	16
16	CENTRE FOOT	1	198 X 25	16
17	SHELF	2	410 X 386	16
19	DOOR	2	498 X 407	16

**Important – Please read these instructions fully before starting assembly**

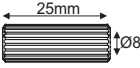
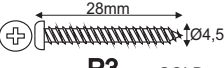
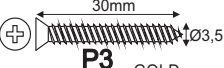
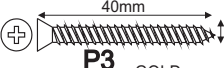
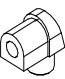
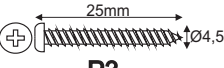
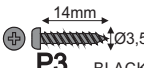
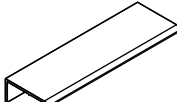
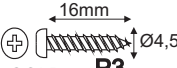
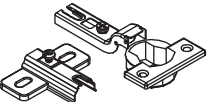
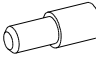
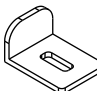
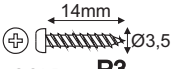
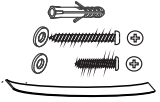

If you need help or have damaged or missing parts, please email [aftersales@gpmfurniture.co.uk](mailto:aftersales@gpmfurniture.co.uk)

# Components - Fixings

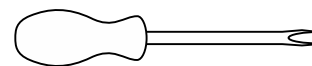
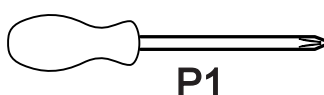
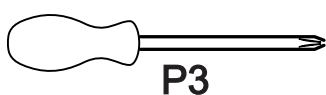
If you have damaged or missing components,  
email: [aftersales@gpmfurniture.co.uk](mailto:aftersales@gpmfurniture.co.uk)

**Please check that you have all the components listed below before constructing your item.**

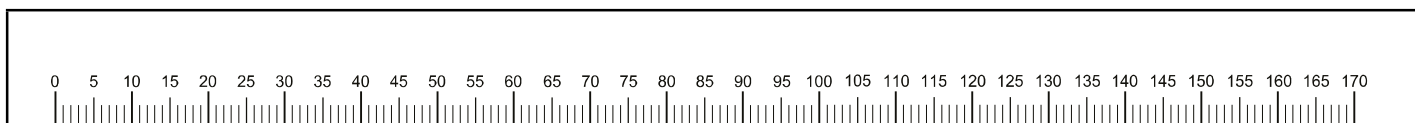
**Note:** The quantities below are the correct amount to complete the assembly. In some cases more fittings may be supplied than are required.

(A)	 x60	(B)	 P3 GOLD x30	(C)	 P3 GOLD x12	(D)	 P3 GOLD x13
(E)	 x12	(F)	 P3 GOLD x12	(G)	 P3 BLACK x10	(H)	 x05
(J)	 GOLD P3 x20	(K)	 x04	(L)	 x08	(M)	 x02
(N)	 GOLD P3 x18	(Y)	 x01	(Z)	 8x8 x30		

## Tools Required



**Ruler – Use this to measure your screws (mm)**



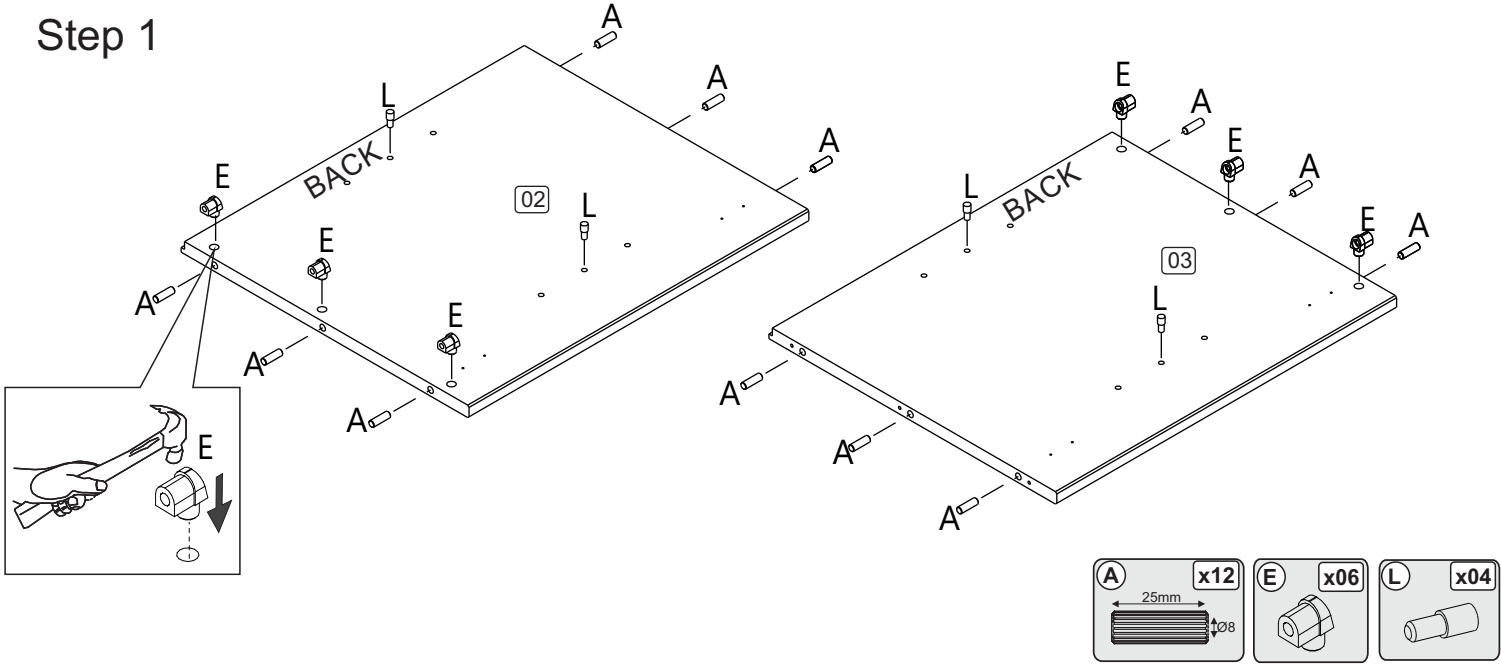
**Important – Please read these instructions fully before starting assembly**

If you need help or have damaged or missing parts, please email [aftersales@gpmfurniture.co.uk](mailto:aftersales@gpmfurniture.co.uk)

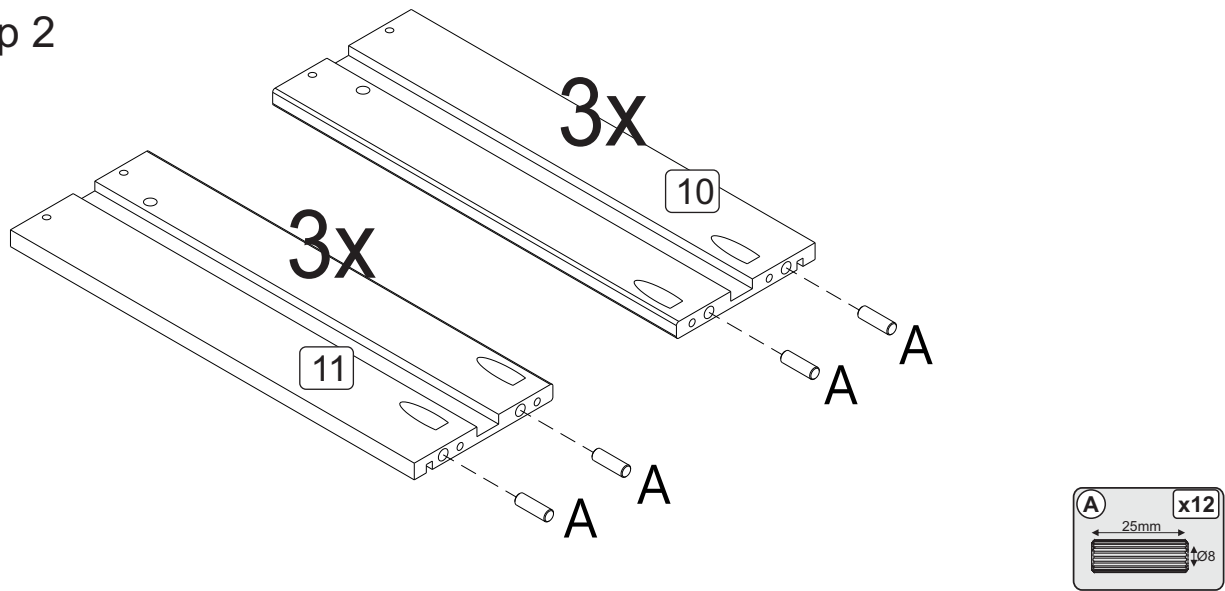
# Assembly Instructions

If you have damaged or missing components,  
email: [aftersales@gpmfurniture.co.uk](mailto:aftersales@gpmfurniture.co.uk)

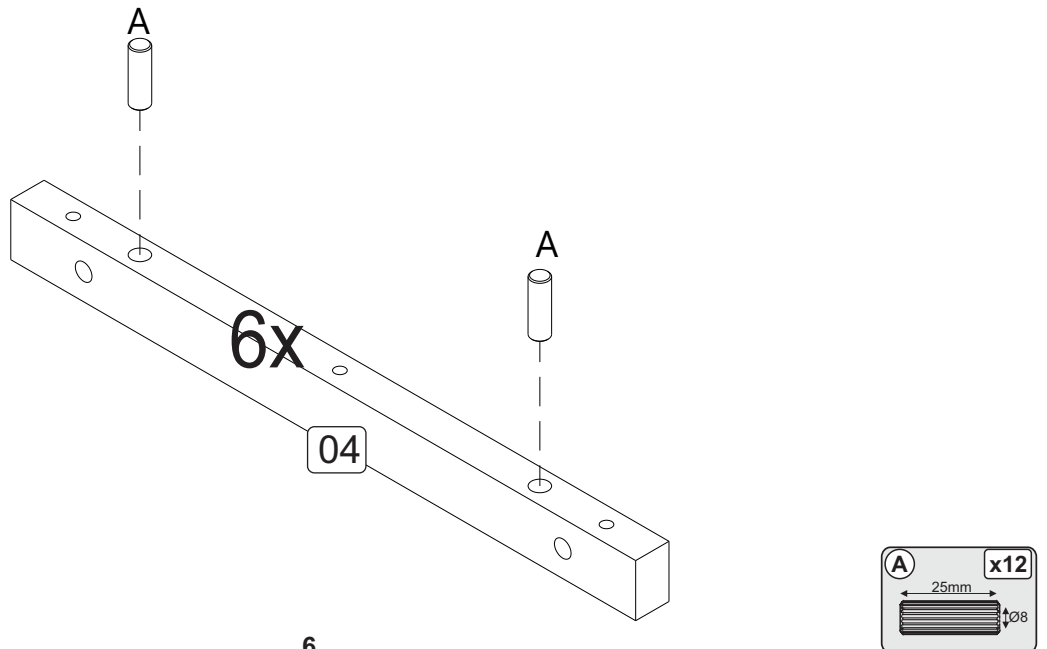
## Step 1



## Step 2



## Step 3

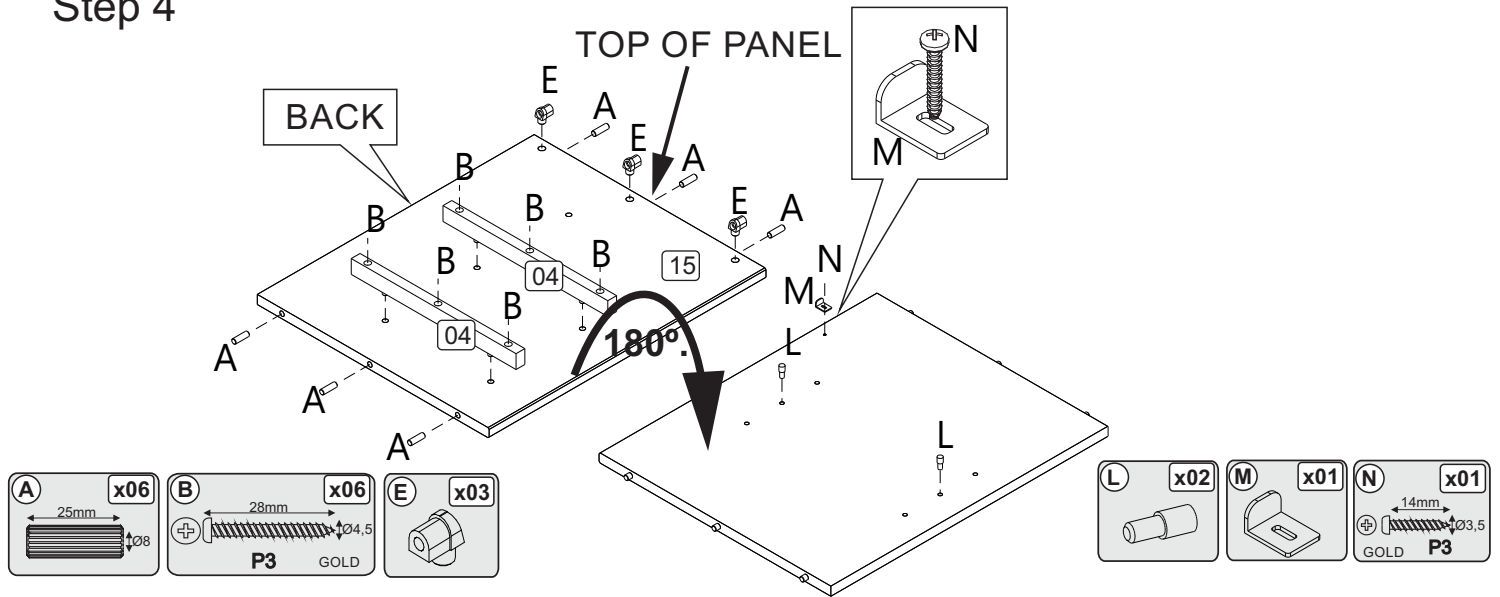


# Assembly Instructions

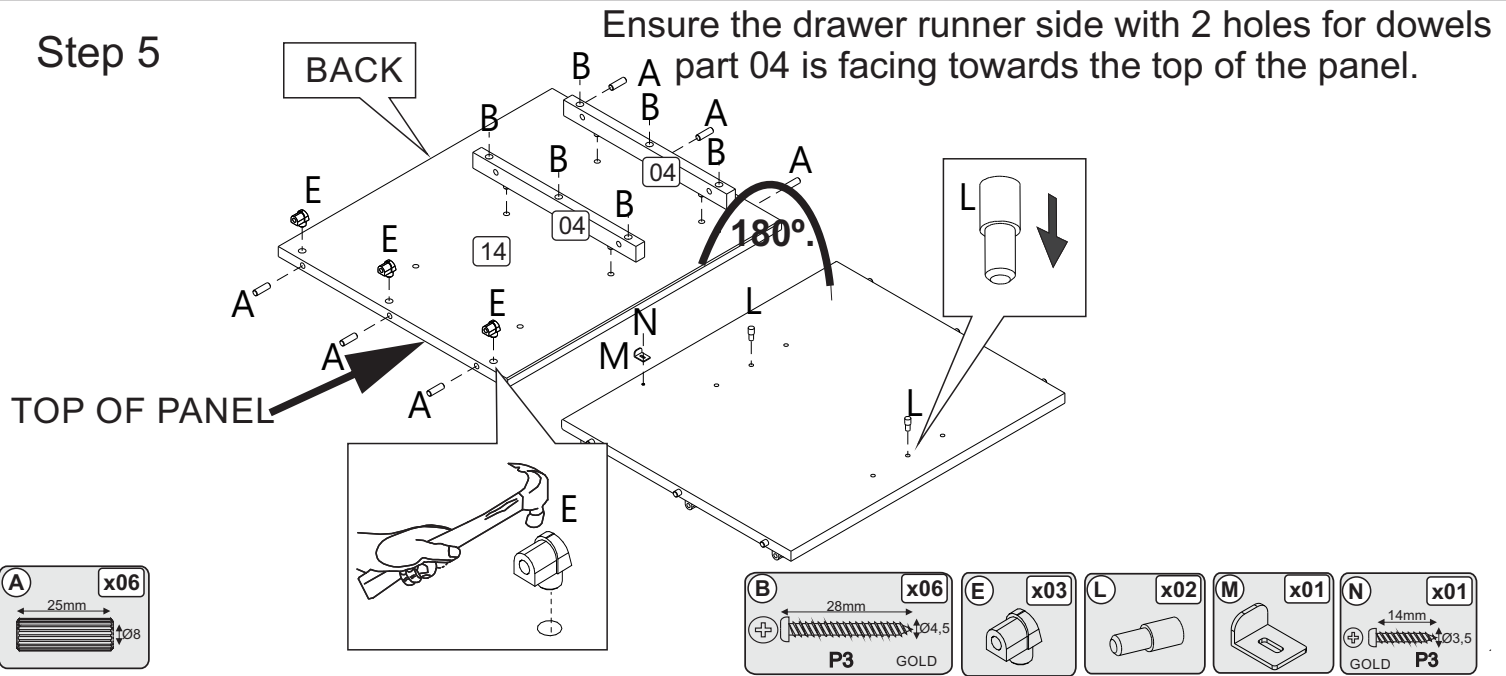
If you have damaged or missing components,  
email: [aftersales@gpmfurniture.co.uk](mailto:aftersales@gpmfurniture.co.uk)

Ensure the drawer runner side with 2 holes for dowels  
part 04 is facing towards the top of the panel.

## Step 4

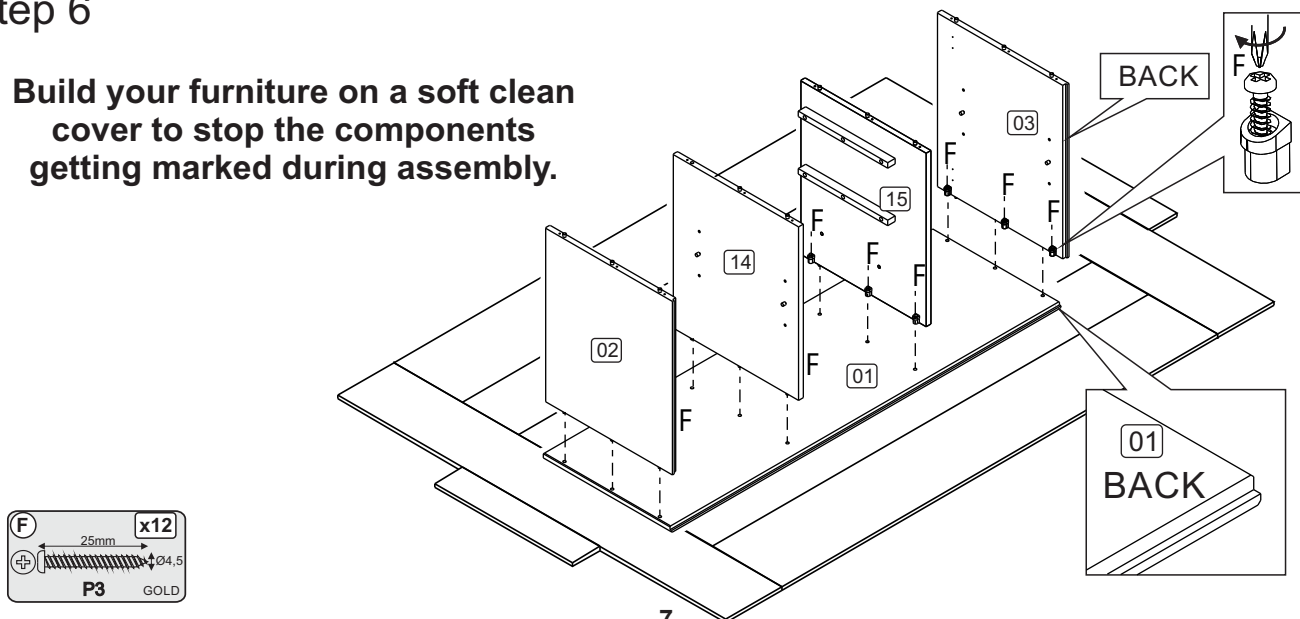


## Step 5



## Step 6

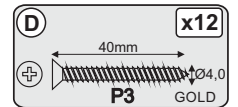
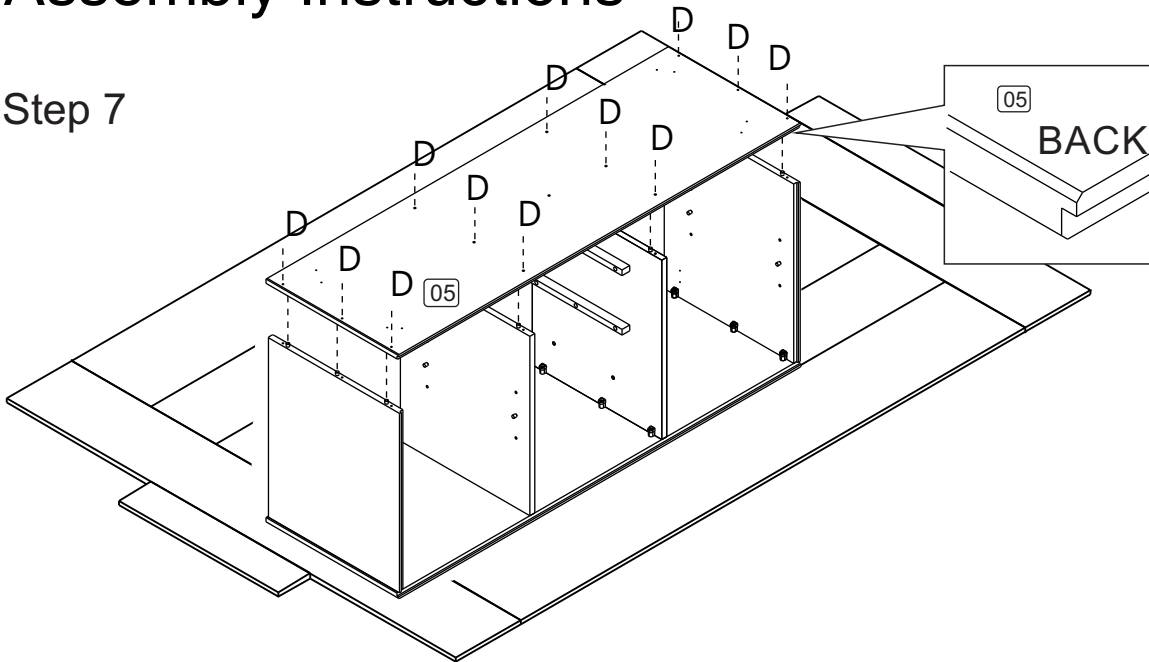
Build your furniture on a soft clean cover to stop the components getting marked during assembly.



# Assembly Instructions

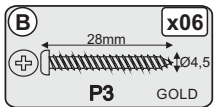
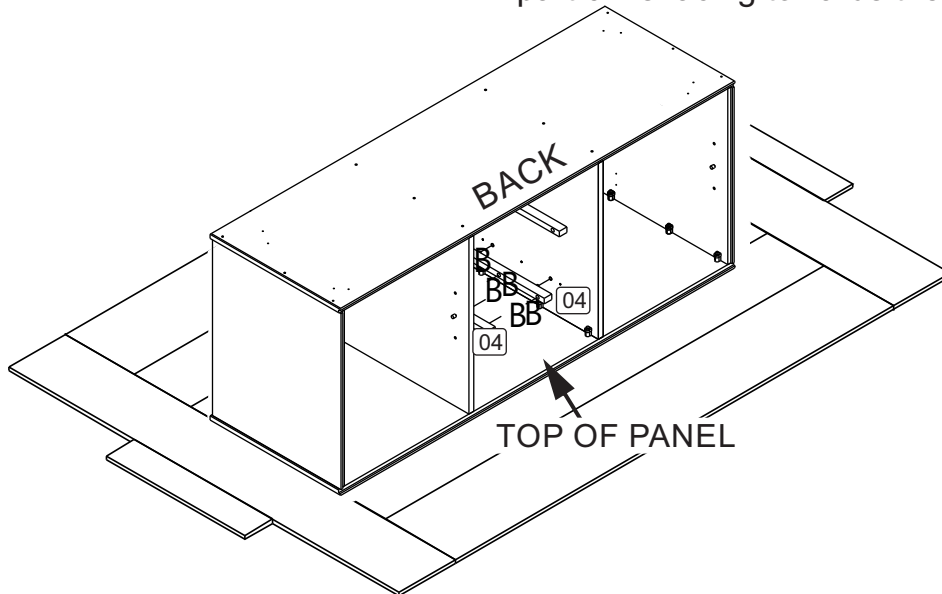
If you have damaged or missing components,  
email: [aftersales@gpmfurniture.co.uk](mailto:aftersales@gpmfurniture.co.uk)

## Step 7

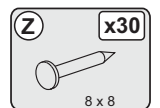
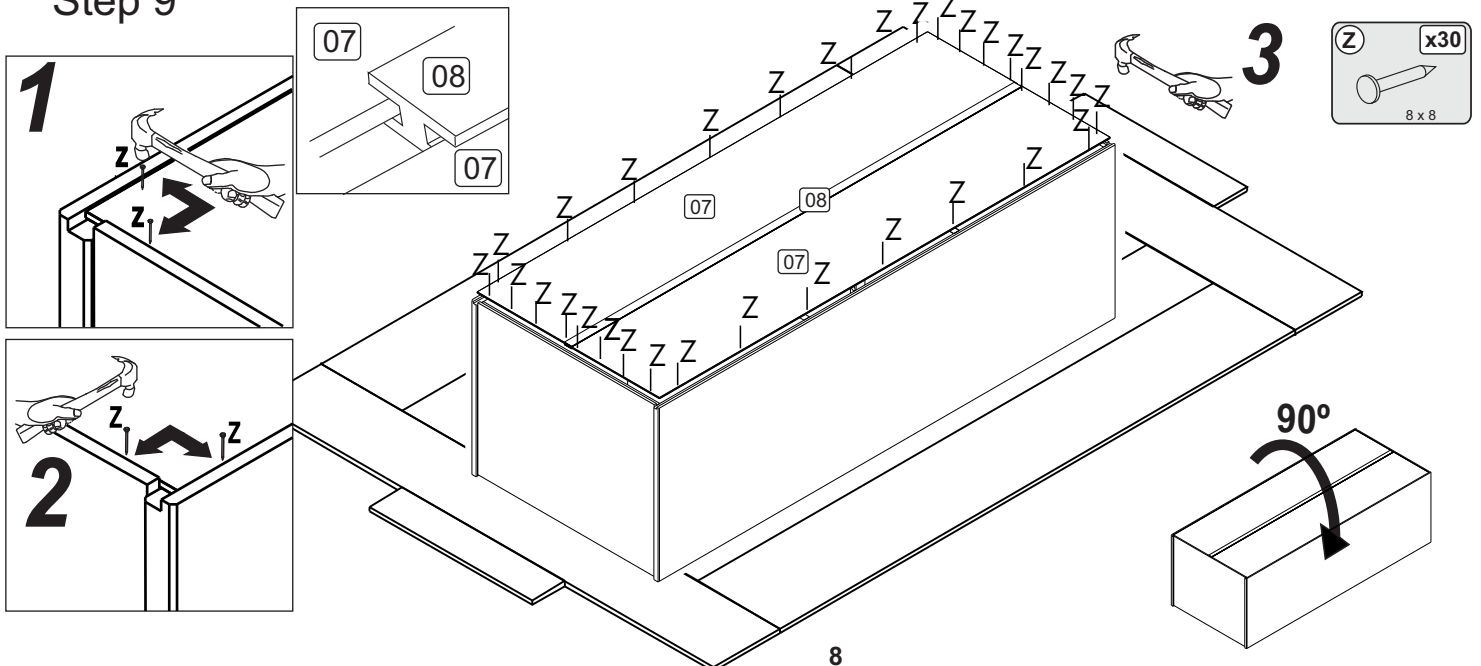


## Step 8

Ensure the drawer runner side with 2 holes for dowels part 04 is facing towards the top of the panel.



## Step 9



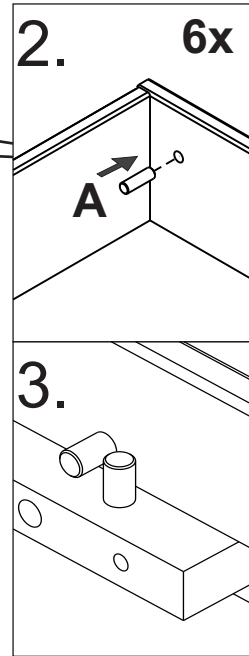
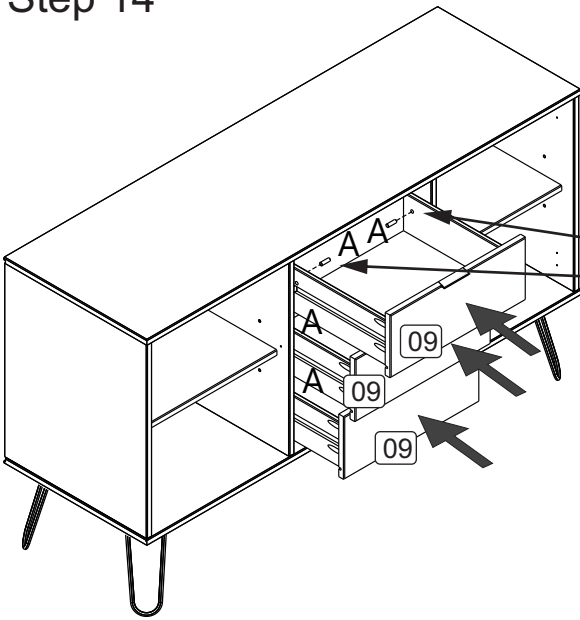


# Assembly Instructions

If you have damaged or missing components,  
email: [aftersales@gpmfurniture.co.uk](mailto:aftersales@gpmfurniture.co.uk)

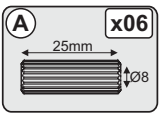
## Step 14

Fixing drawer safety stops  
1; Insert drawers into frame  
by approximately 50mm.

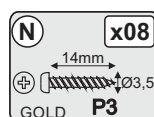
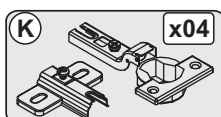
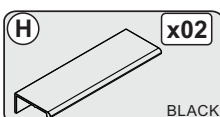
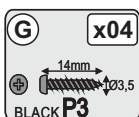
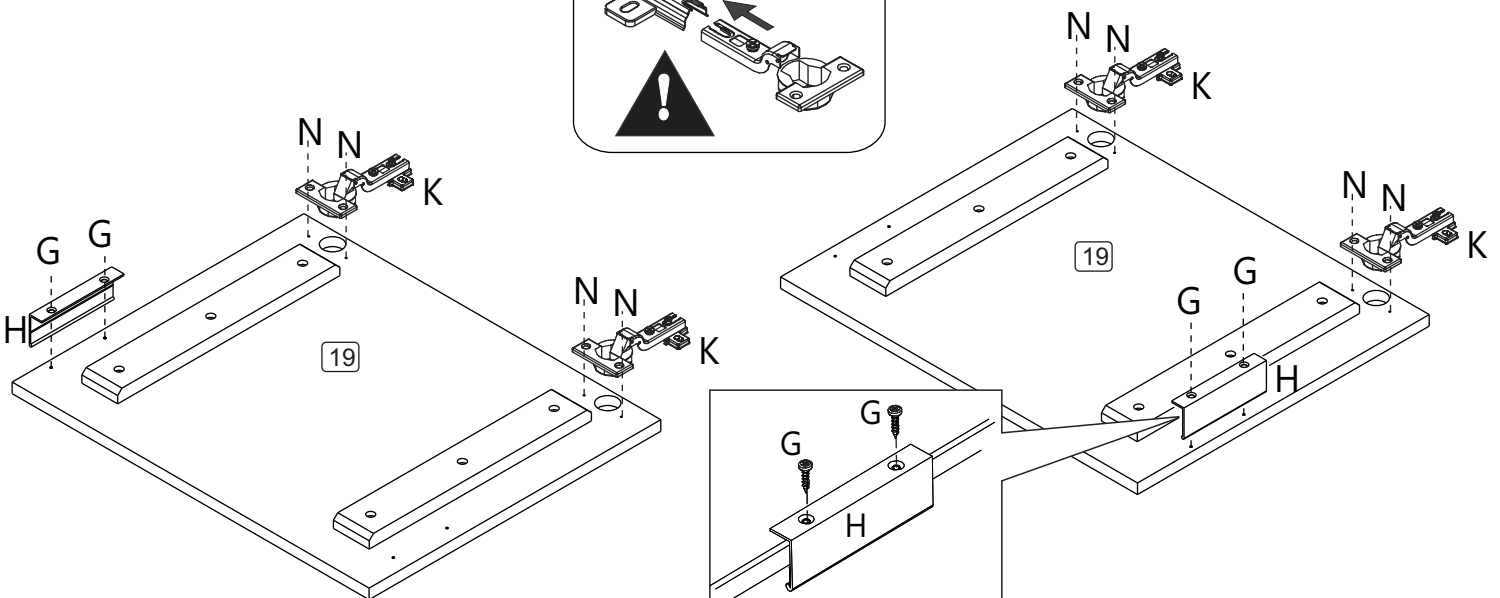
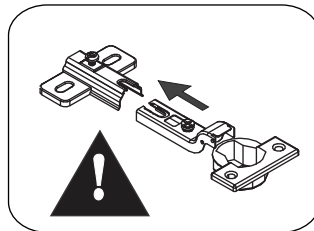


2; Push wooden dowels  
in through the pre-drilled  
holes close to the back  
of the drawer sides until  
they are level with the  
inside edge of the  
drawer sides.

3; Check the position of  
the drawer stops are  
correct by opening and  
closing the drawers.



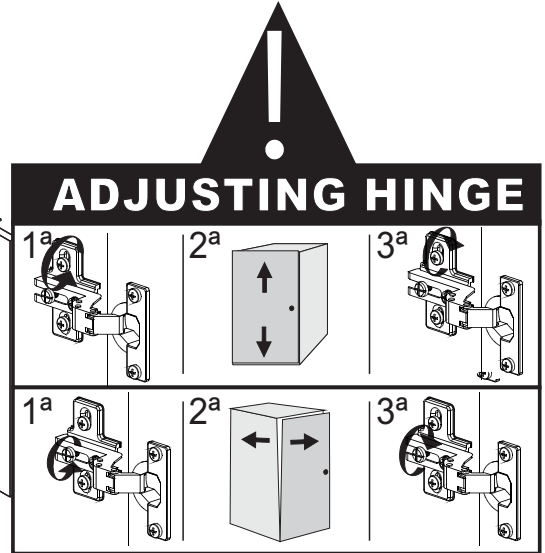
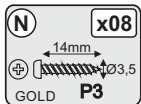
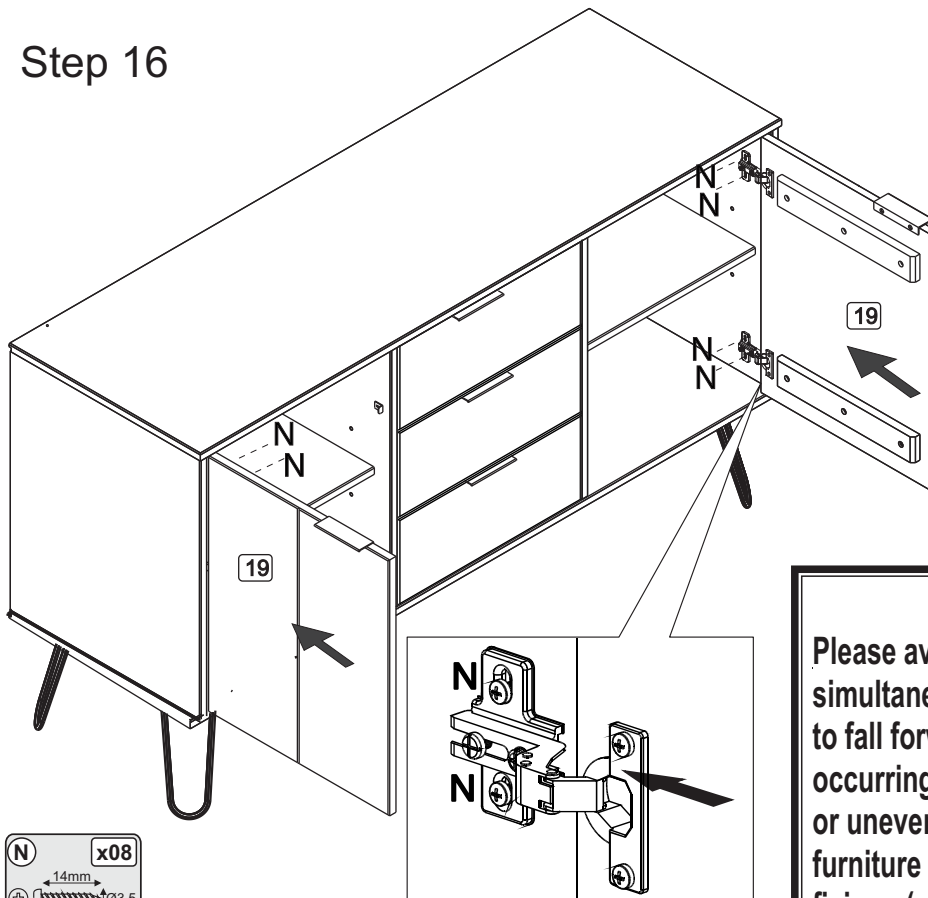
## Step 15



# Assembly Instructions

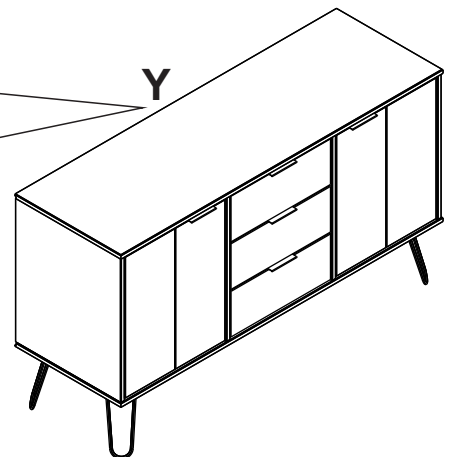
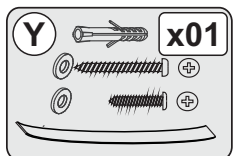
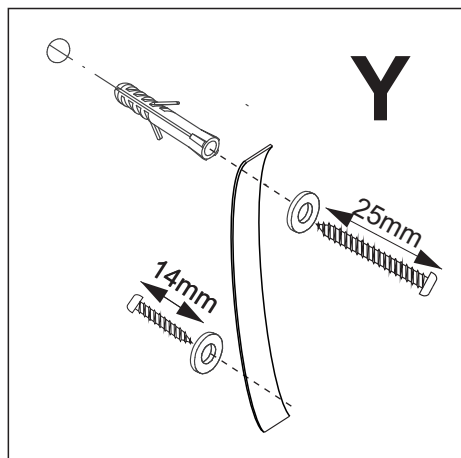
If you have damaged or missing components,  
email: [aftersales@gpmfurniture.co.uk](mailto:aftersales@gpmfurniture.co.uk)

## Step 16



**IMPORTANT NOTICE**  
Please avoid opening all drawers or doors simultaneously as this could cause your furniture to fall forwards. Where there is a risk of this occurring, especially in environments with children or uneven floors we recommend that this item of furniture is attached to your wall using appropriate fixings (supplied).

## Step 17



**WARNING: CHECK FOR HIDDEN PIPES AND CABLES BEFORE DRILLING.**

**IMPORTANT: IF YOUR WALLS ARE NOT SOLID LIKE BRICK OR STONE, YOU WILL REQUIRE SPECIALIST FITTINGS (NOT SUPPLIED).**

- Place fixing strip against the wall and mark position for drilling hole.
- Drill hole in your wall to a depth of 30mm using a 6mm drill bit. If the surface of your wall is soft and crumbly, we would advise you to use a 5mm drill bit for a tighter fit.
- Insert plug into hole with end flush to the wall surface.
- Attach fixing strip to the wall using the 25mm screw + washer and securely tighten.
- Pre-drill small pilot hole on the back edge of the furniture top using a 2mm drill bit. Attach the other end of fixing strip to the back edge of the furniture top using the 14mm screw + washer and securely tighten.