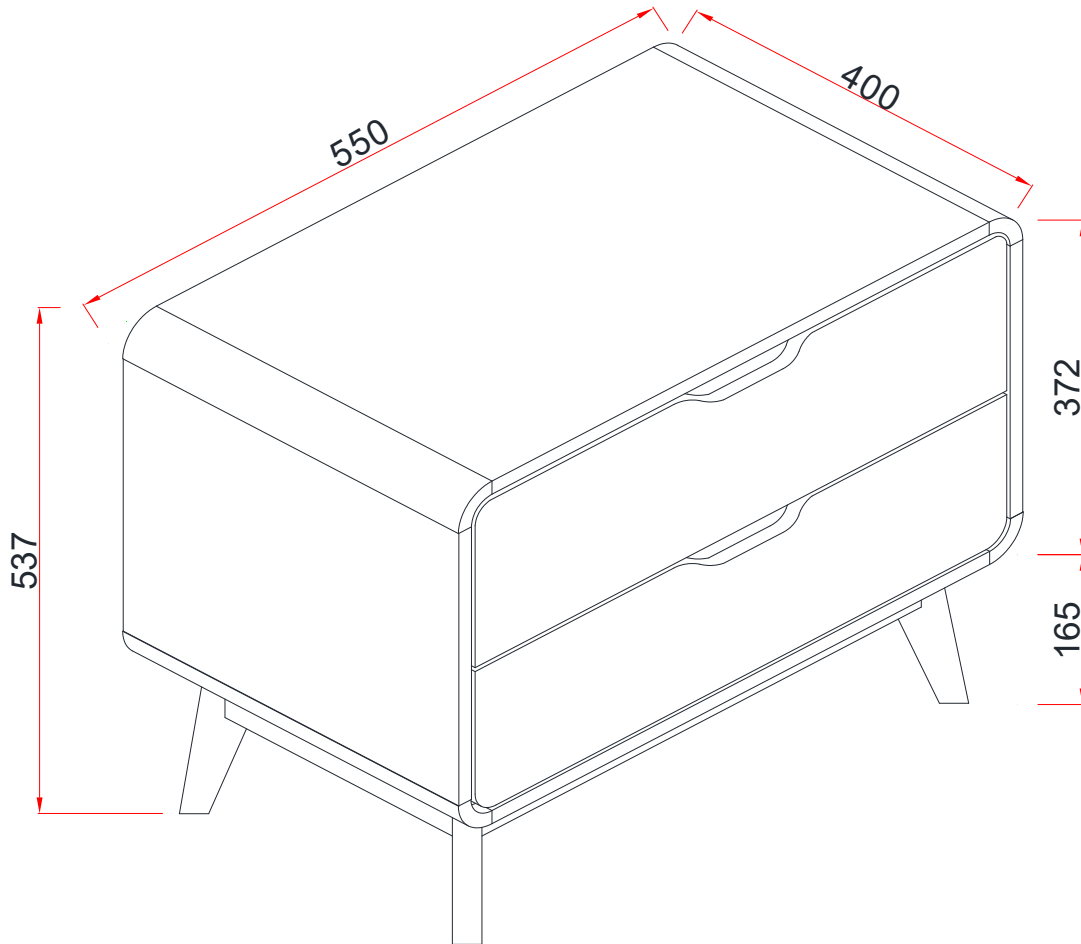



# GOLBAL PROCUREMENT AND MARKETING LIMITED

## NORDICA NIGHTSTAND

Assembly instruction- Please keep for future reference

BSDNOROAK  
BSDNORWHT  
BSDNORGRY



Dimensions	No. People	Assembly Time	OW#
Width: 53.7cm		35 mins (approx)	BSDNOROAK
Depth: 40cm			BSDNORWHT
Height: 55cm			BSDNORGRY

*thank you*

For purchasing this  
**GPM Limited**  
product

Important-Please read these instructions fully before starting assembly

If you need help or have damaged or missing parts, please email [aftersales@gpmfurniture.co.uk](mailto:aftersales@gpmfurniture.co.uk)

# ⚠ Safety and Care Advice

Important-Please read these instructions fully before starting assembly

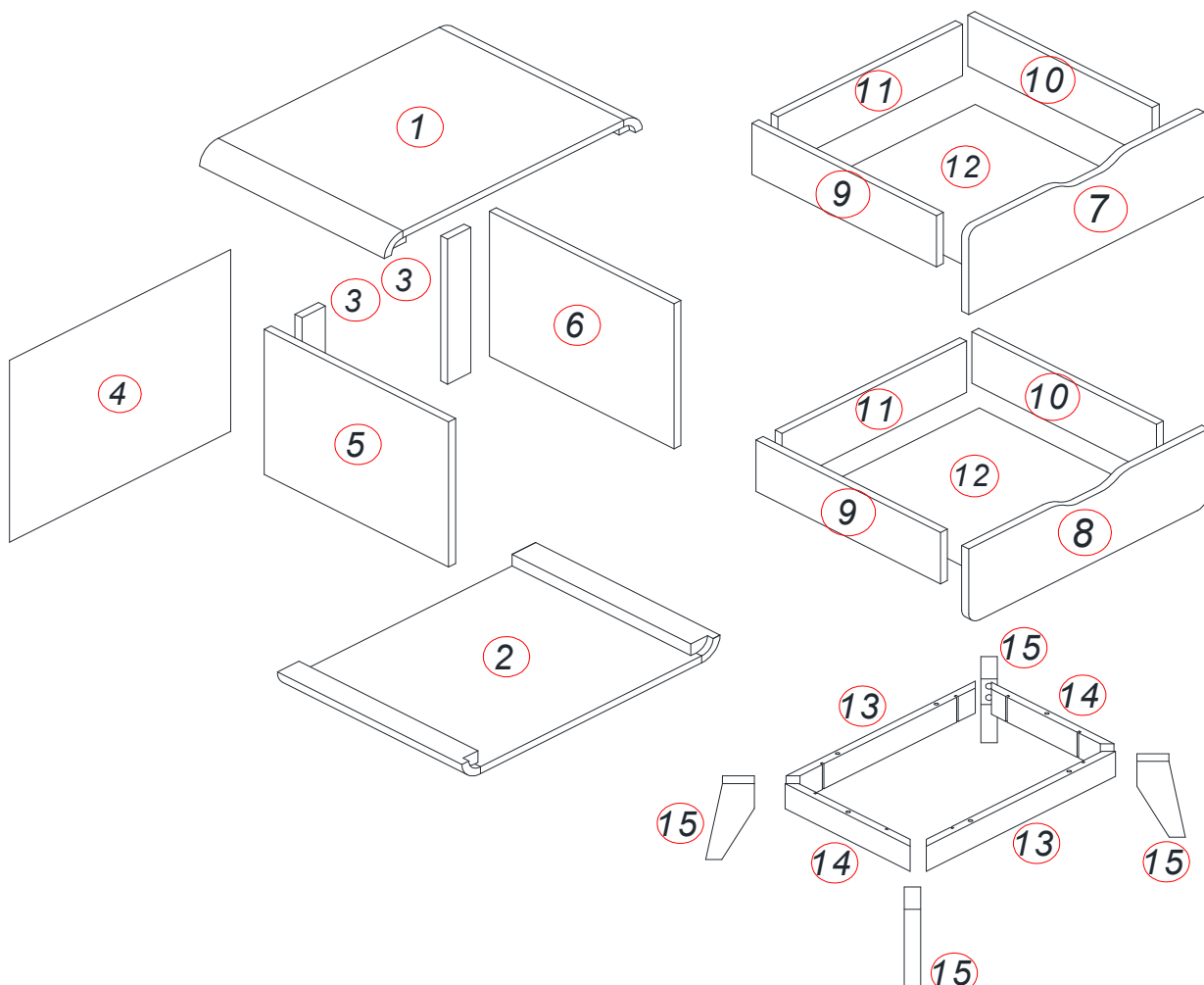
- Check you have all the components and tools listed on pages 2,3 and 4.
- Remove all fittings from the plastic bags and separate them into their groups.
- Keep children and animals away from the work area, small parts could choke if swallowed.
- Make sure you have enough space to lay out the parts before starting.
- Do not stand or put weight on the product, this could cause damage.
- Assemble the item as close to its final position (in the same room) as possible.
- Assemble on a soft, level surface to avoid damaging the unit or your floor.
- We do not recommend the use of power drill/drivers for inserting screw, as this could damage the unit. only use hand screwdrivers.
- Dispose of all packaging carefully and responsibly.



## Care and Maintenance

- Only clean using a damp cloth and mild detergent, do not use bleach or abrasive cleaners.
- From time to time check that there are no loose screws on this unit.
- This product should not be discarded with household waste. Take to your local authority waste disposal centre.

If you are unhappy with the product and wish to return it, please following the retailer's return procedure









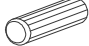
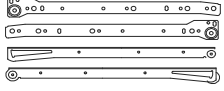
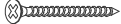



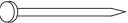
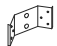


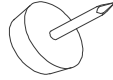
# Components - Fixings

If you have damaged or missing components,  
email [aftersales@gpmfurniture.co.uk](mailto:aftersales@gpmfurniture.co.uk)

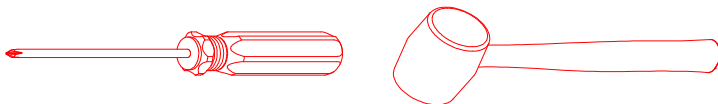
Please check that you have all the components listed below before constructing your item.

**Note:** The quantities below are the correct amount to complete the assembly. In some cases more fittings may be supplied than

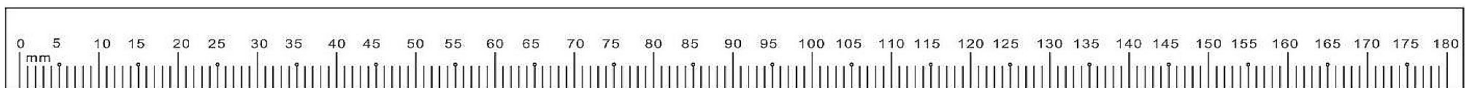
## HARDWARE

(A)  <b>MINIFIX 16MM X 16</b>	(B)  <b>MINICAM 16MM X 16</b>	(C)  <b>WASHER X 8</b>	(D)  <b>ALLEN KEY X 1</b>	(E)  <b>WOOD DOWEL 8 X 30 MM X 14</b>
(F)  <b>DRAWER SLIDE 300mm X 2</b>	(G)  <b>CSK M4 X 38 MM X 14</b>	(H)  <b>CSK M3.5 X 12MM X 8</b>	(I)  <b>CSK M3 X 12MM X 16</b>	(J)  <b>PAN HEAD 3.5 X 16MM X 6</b>
(K)  <b>NAIL X 6</b>	(L)  <b>METAL CORNER X 4</b>	(M)  <b>JCBC M6 X 20MM X 8</b>	(N)  <b>CSK M3.5 X 16 MM X 24</b>	(O)  <b>NAIL LEG 5/8 X 4</b>

## Tools Required (Not Provided)



## Ruler - Use this to measure your screws (mm)



## Important-Please read these instructions fully before starting assembly

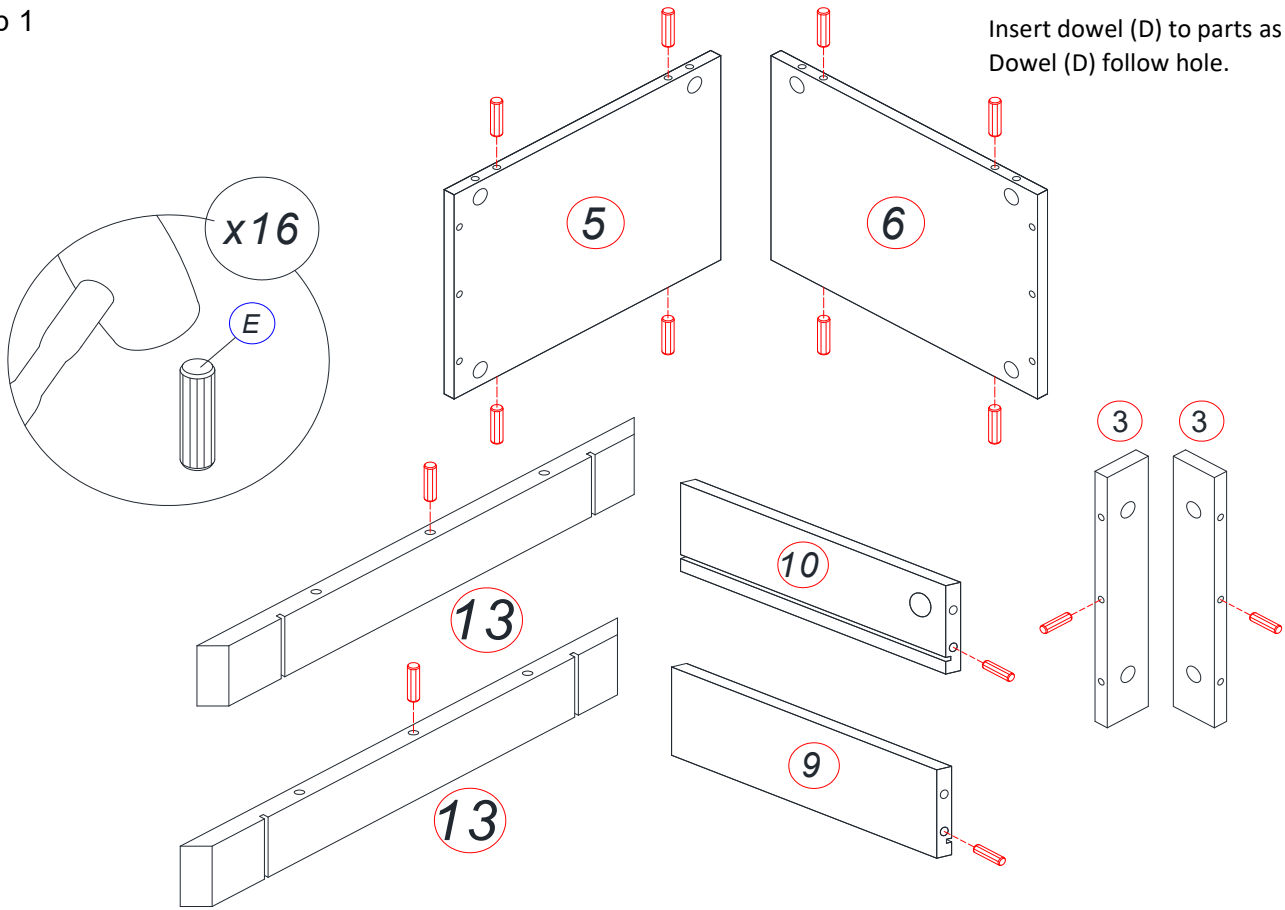
If you need help or have damaged or missing parts, please email [aftersales@gpmfurniture.co.uk](mailto:aftersales@gpmfurniture.co.uk)

# Assembly Instructions

If you have damaged or missing components,  
email [aftersales@gpmfurniture.co.uk](mailto:aftersales@gpmfurniture.co.uk)

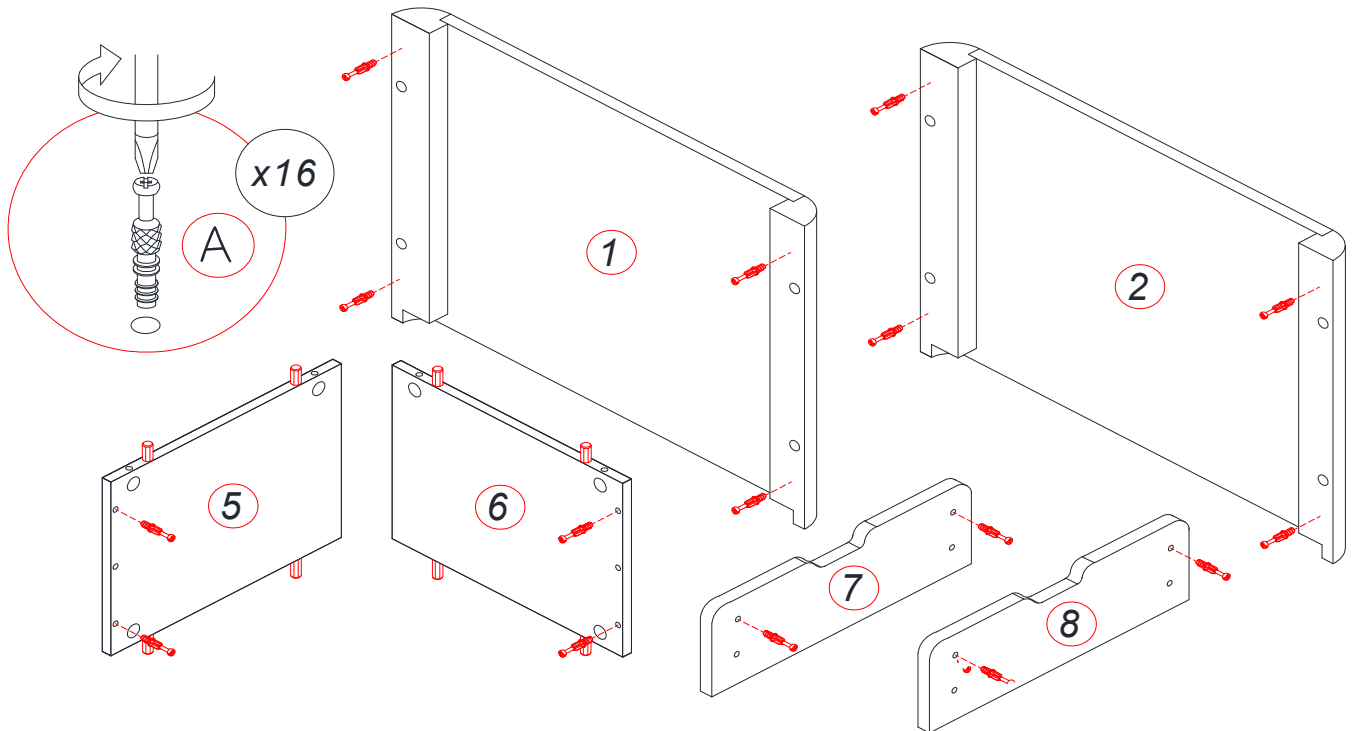
## Step 1

Insert dowel (D) to parts as shown.  
Dowel (D) follow hole.

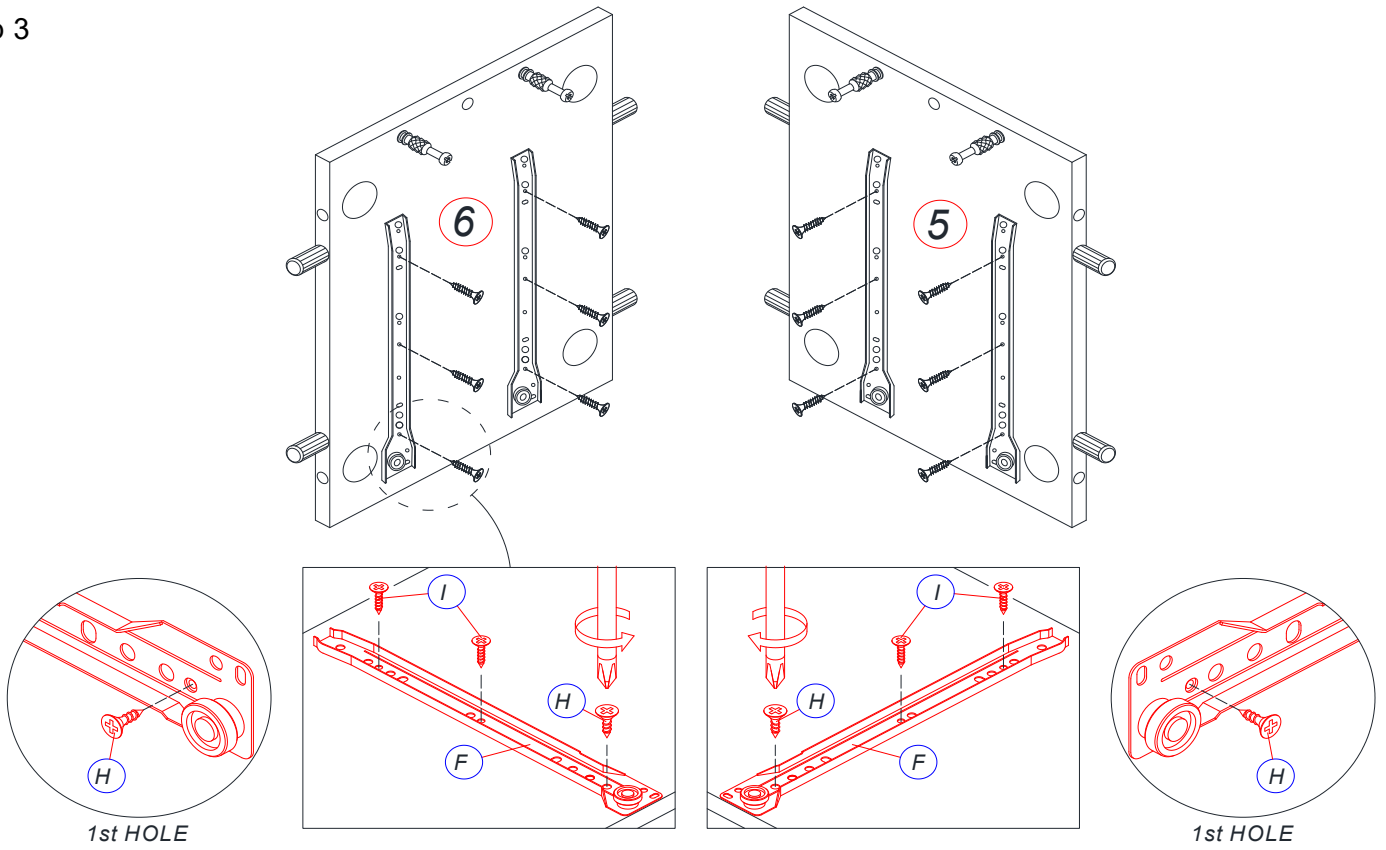


## Step 2

screw minifix (A) as shown on  
diagram. Minifix (A) follow hole.

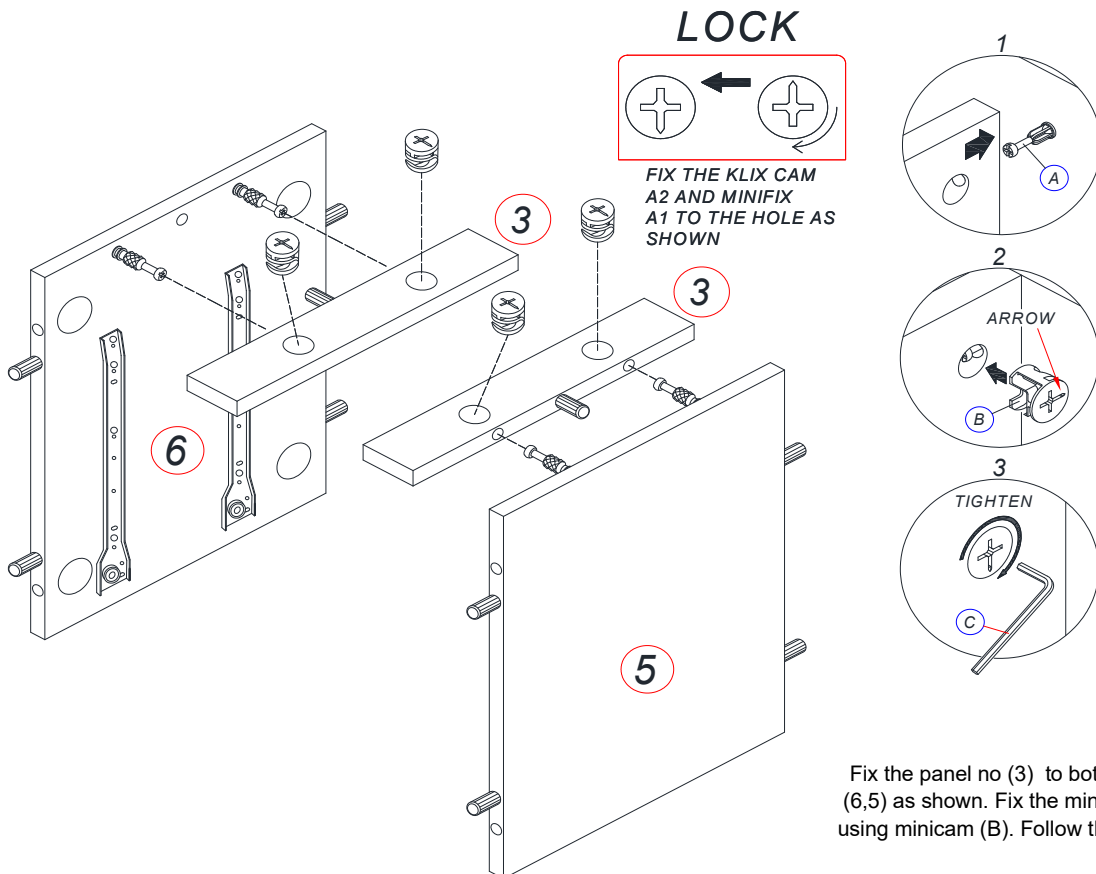


Step 3



1b. Follow the hole as shown on diagram and screw drawer slide (F) to panel number (6) with screw (I&H) as shown. Repeat on the side panel (5) with drawer slide (F) with the same instruction.

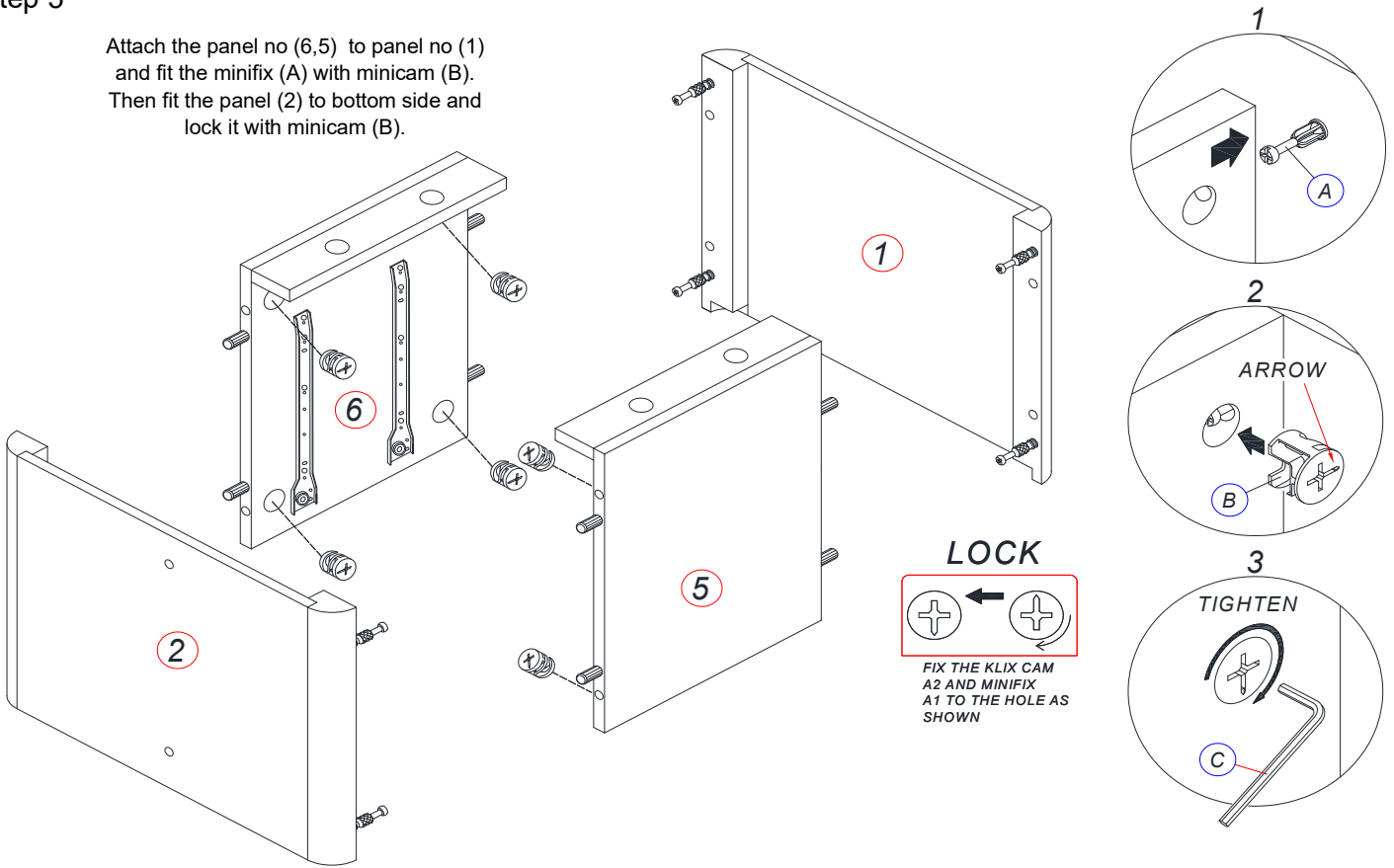
Step 4



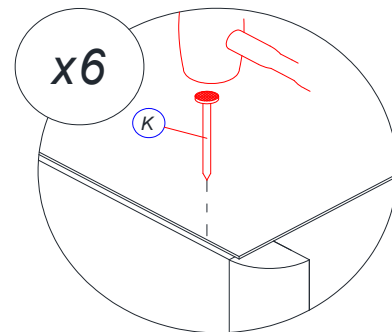
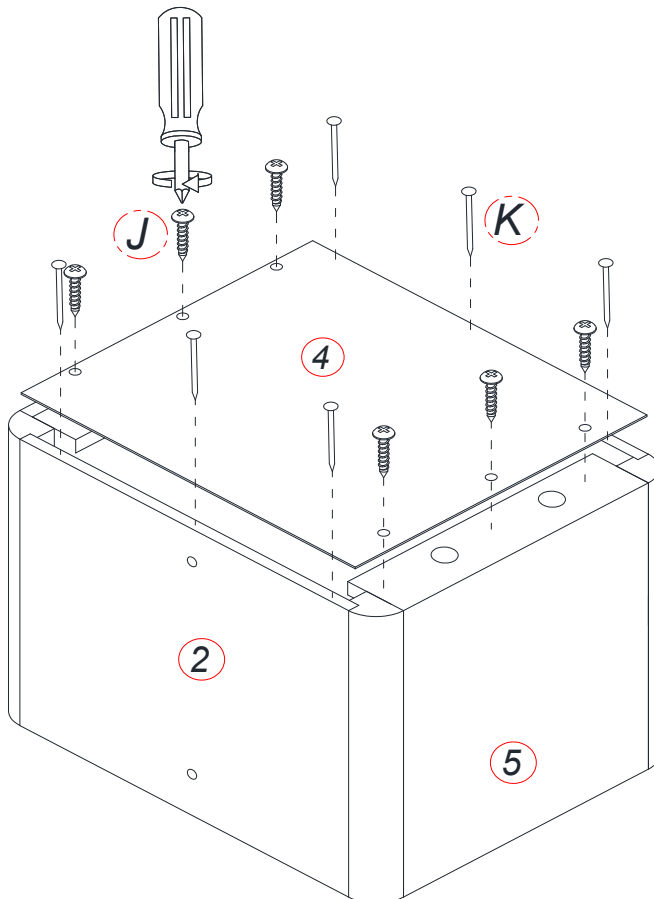
Fix the panel no (3) to both side of panel no (6,5) as shown. Fix the minifix (A) then lock it using micam (B). Follow the diagram shows.

## Step 5

Attach the panel no (6,5) to panel no (1) and fit the minifix (A) with minicam (B). Then fit the panel (2) to bottom side and lock it with minicam (B).

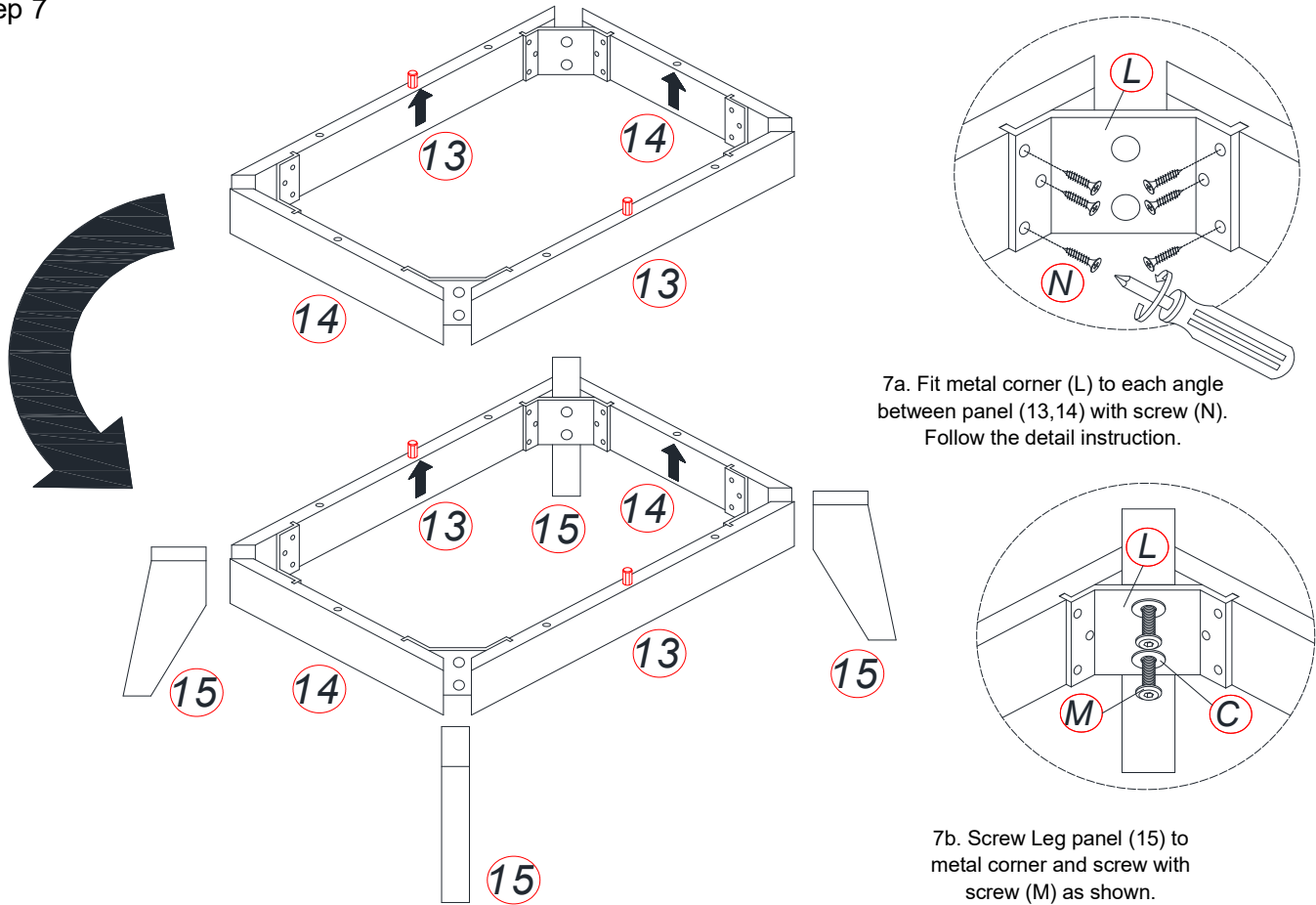


## Step 6

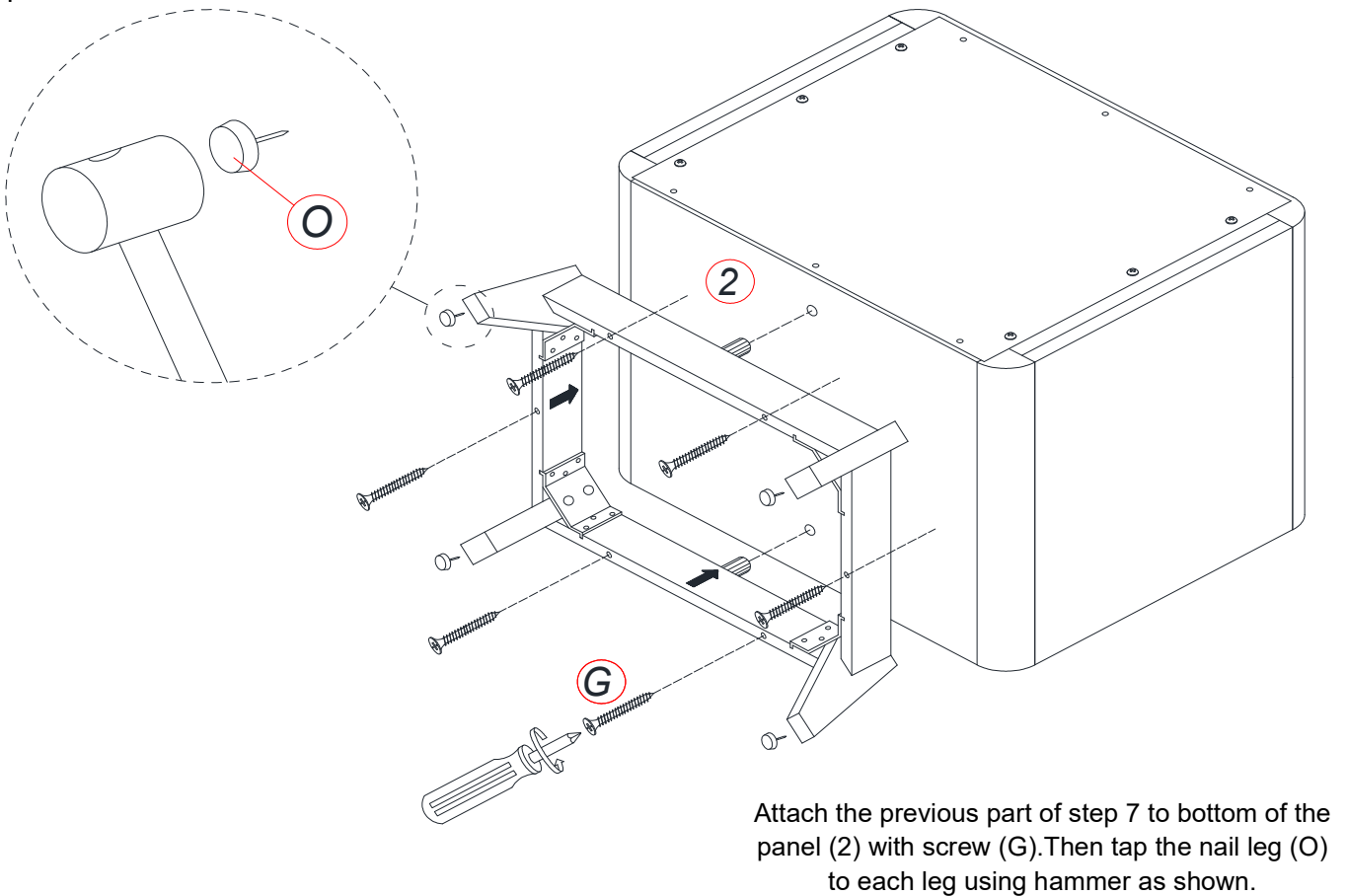


Follow the 3mm hole then screw (J) to the back of the support then tap the nail (K) use hammer as shown.

## Step 7



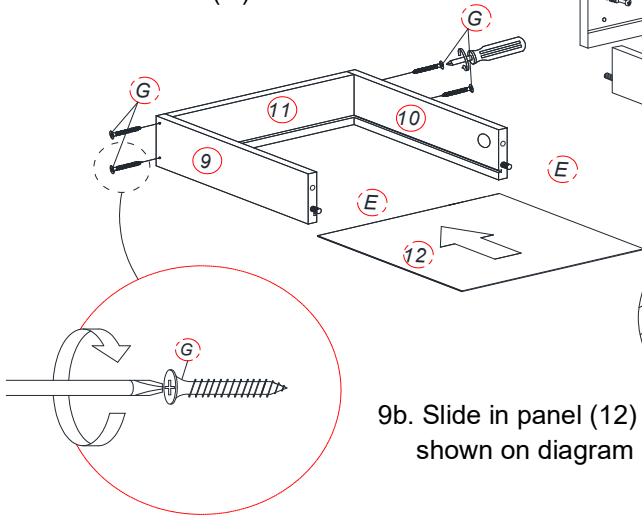
## Step 8



Step 9

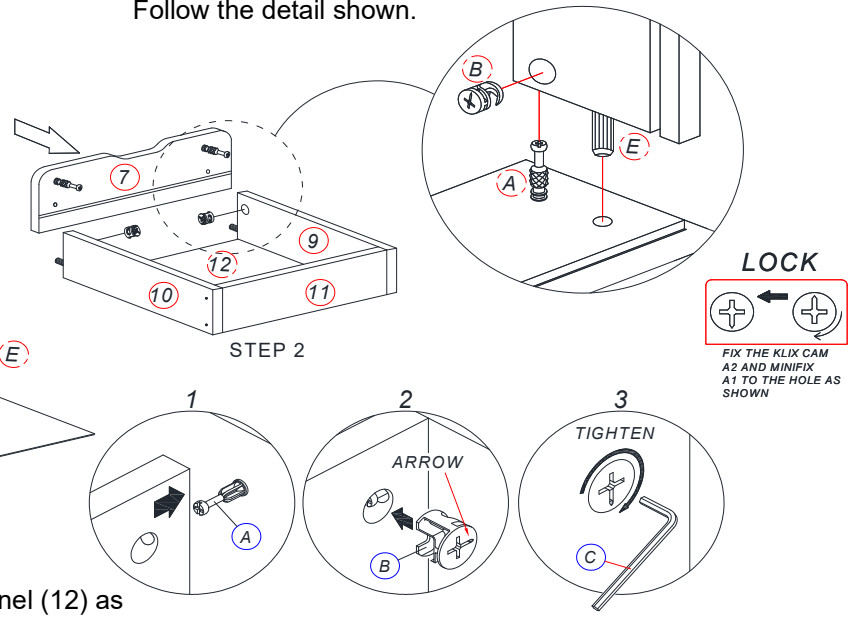
### FIRST DRAWER

9a. Fix panel (9,10) to each side panel (11) using screw (G).



9b. Slide in panel (12) as shown on diagram

9c. Attach panel (7) to panel (10,9). Tighten the minifix with minicam (B). Follow the detail shown.

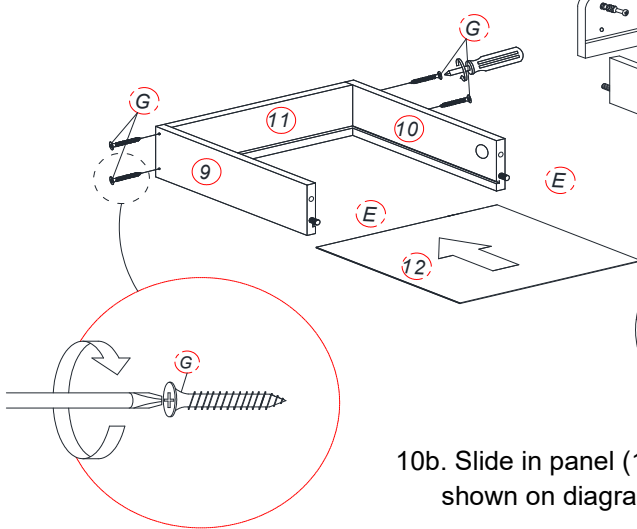


**LOCK**  
FIX THE KLIX CAM A2 AND MINIFIX A1 TO THE HOLE AS SHOWN

Step 10

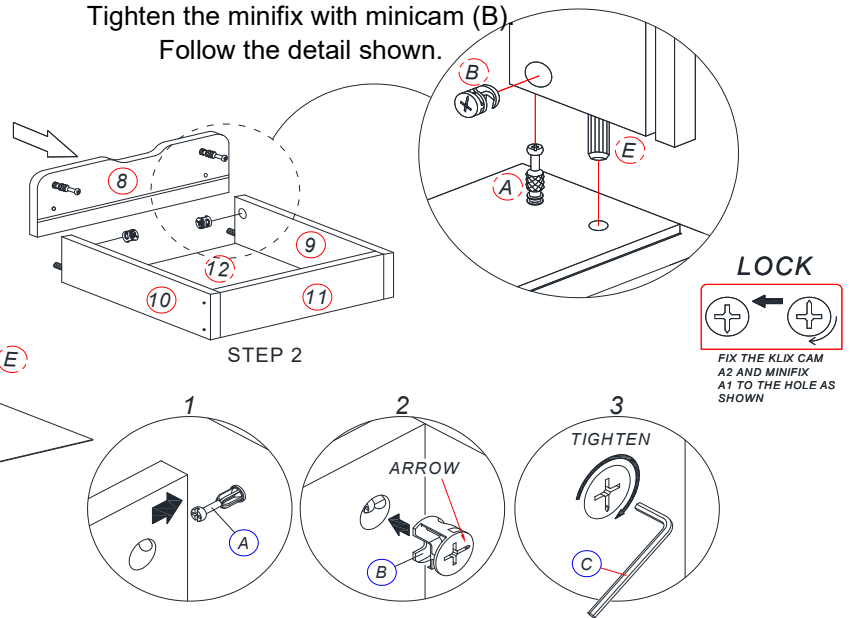
### SECOND DRAWER

10a. Fix panel (9,10) to each side panel (11) using screw (G).



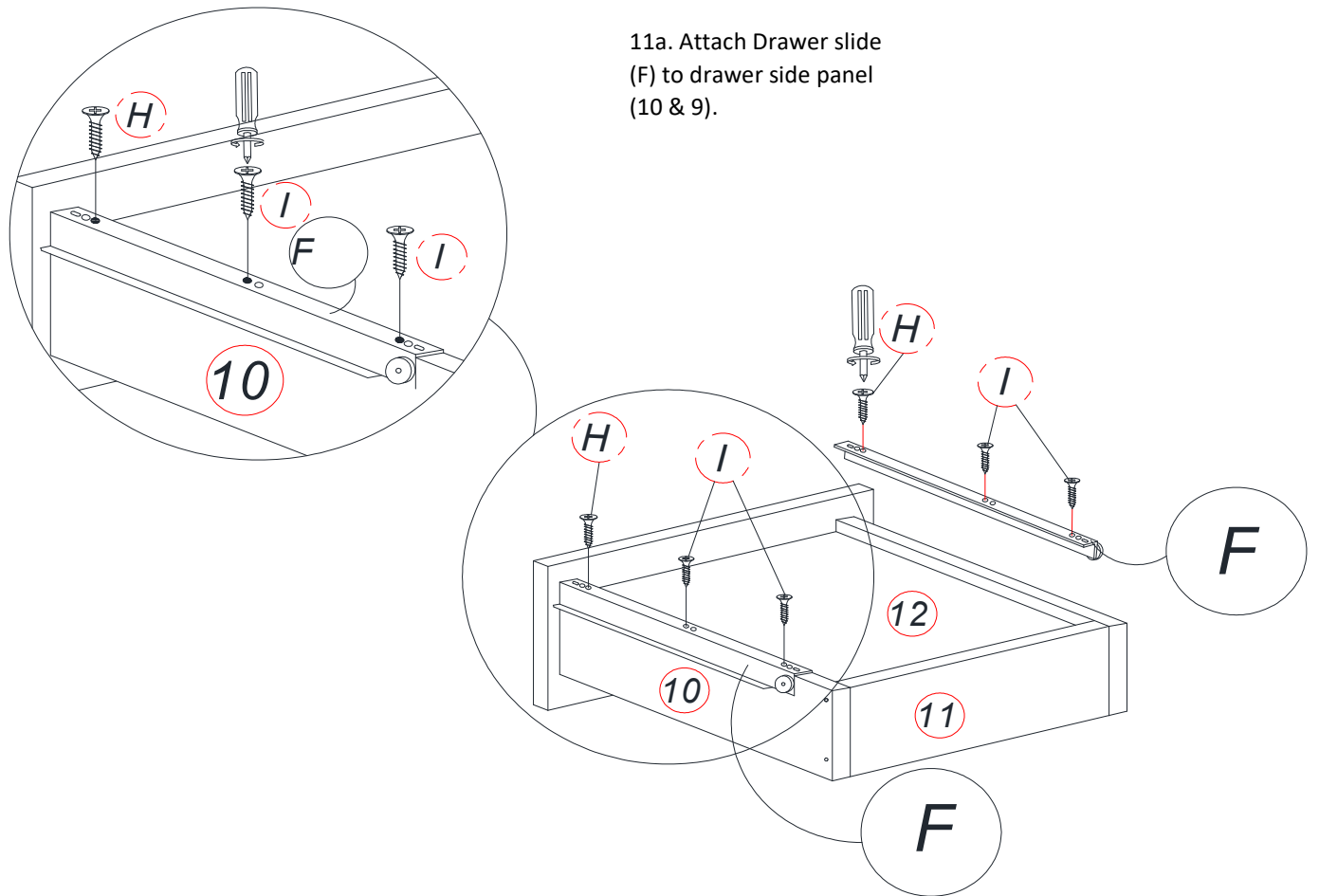
10b. Slide in panel (12) as shown on diagram

10c. Attach panel (7) to panel (10,9). Tighten the minifix with minicam (B). Follow the detail shown.



**LOCK**  
FIX THE KLIX CAM A2 AND MINIFIX A1 TO THE HOLE AS SHOWN

Step 11



Step 12

# Assembly Complete

