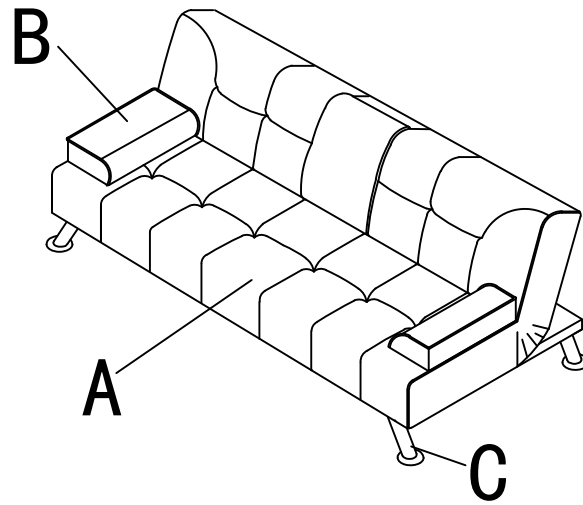
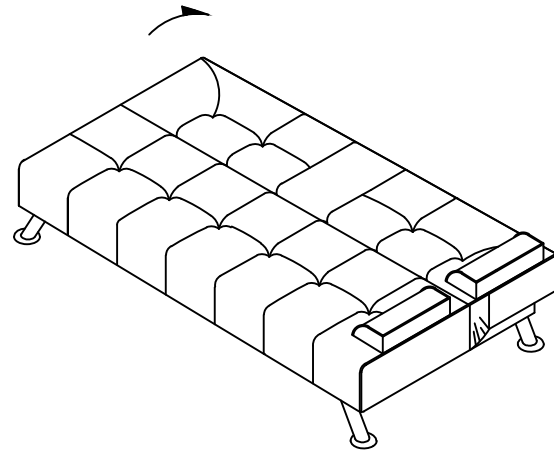
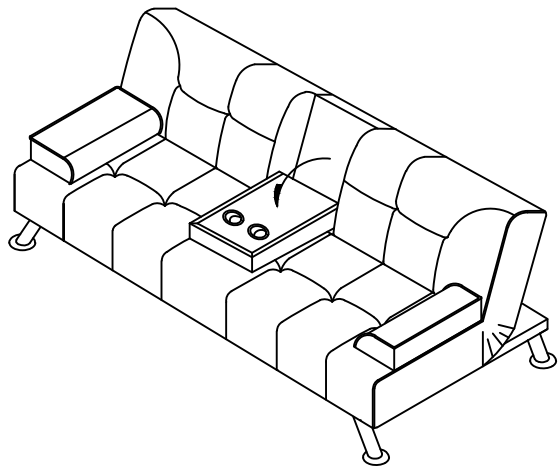


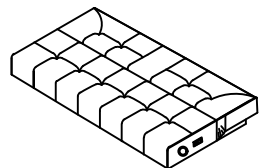
1 2



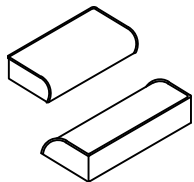
3 4



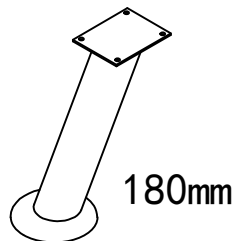
A x 1



B x 2



C x 4



D x 16

