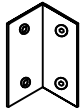


G x 4



H x 16



M8x20

I x 34



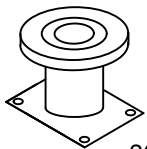
M4x20

J x 1



M8

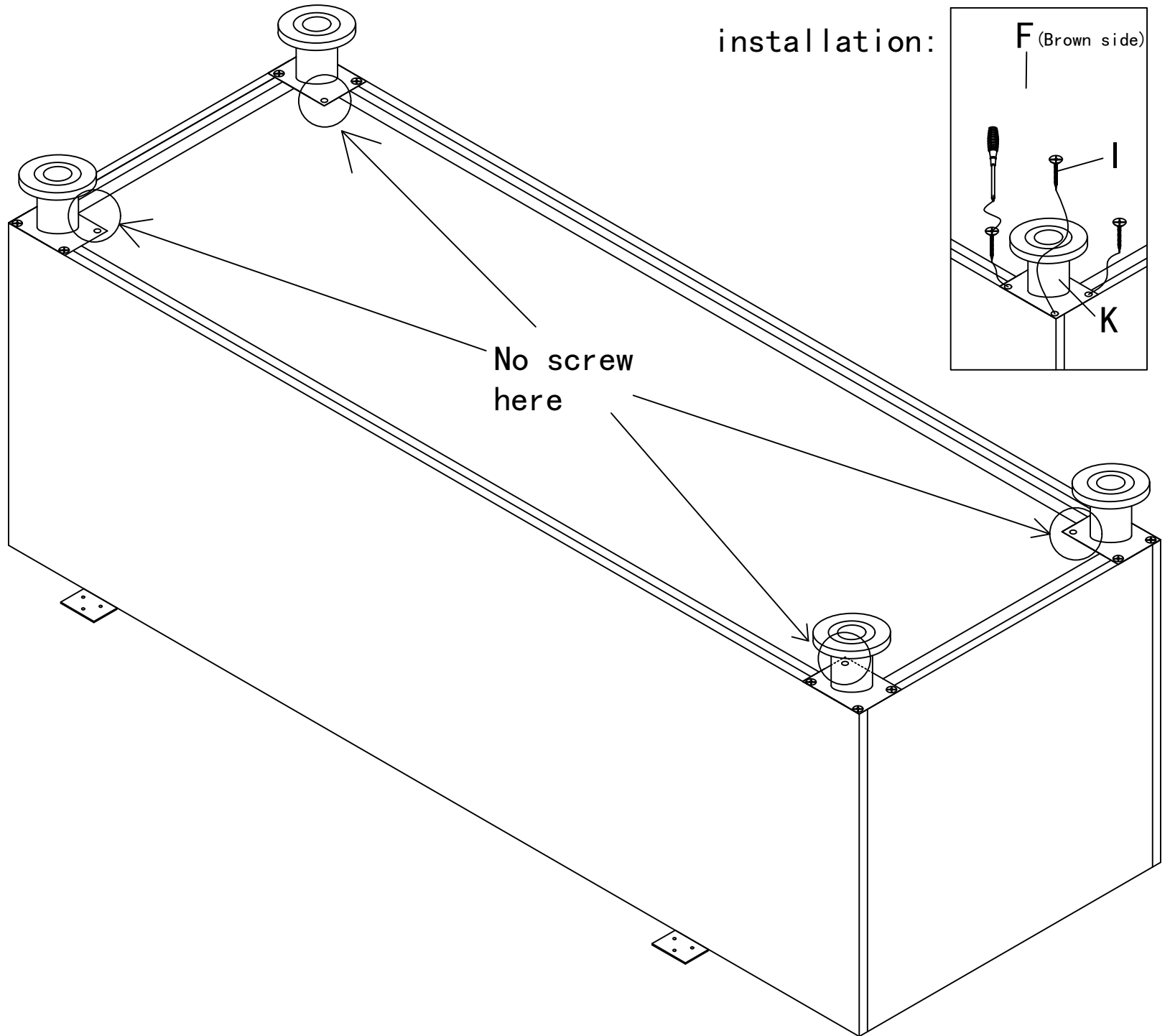
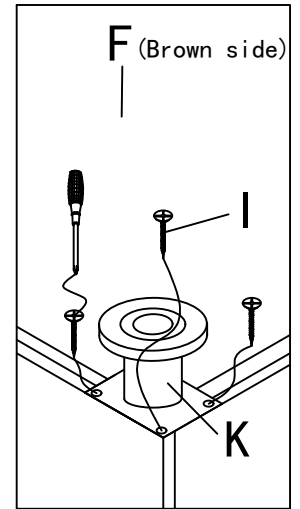
K x 4

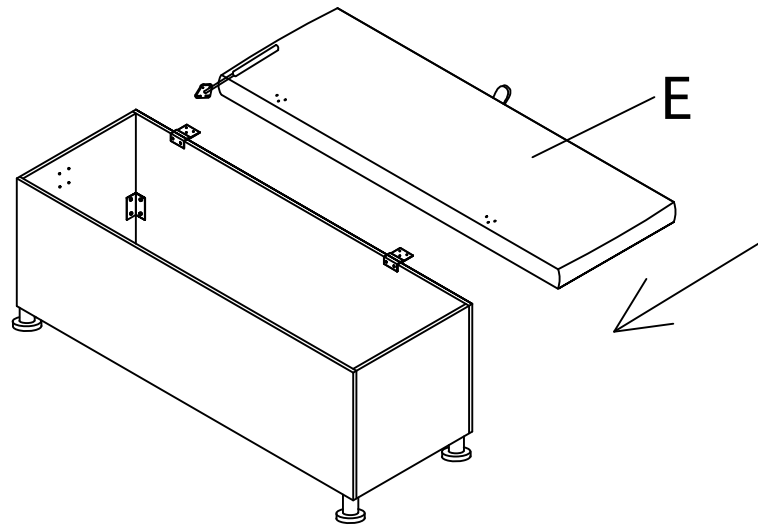


80mm

6

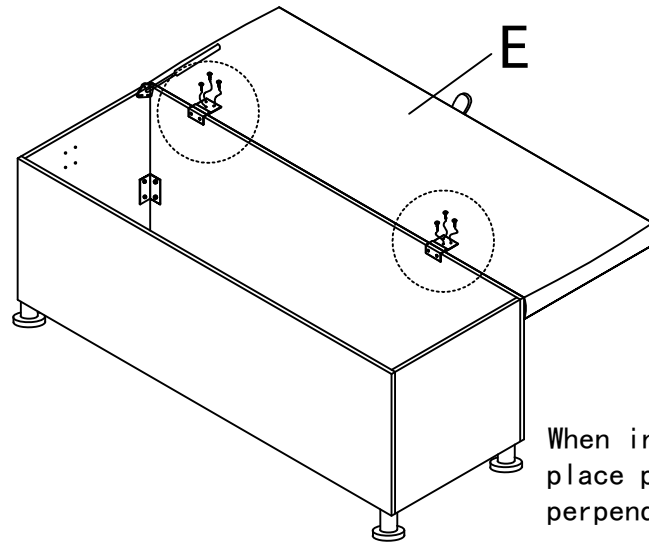
installation:





7

8



When installing, please place part E perpendicular to part A

9

10

