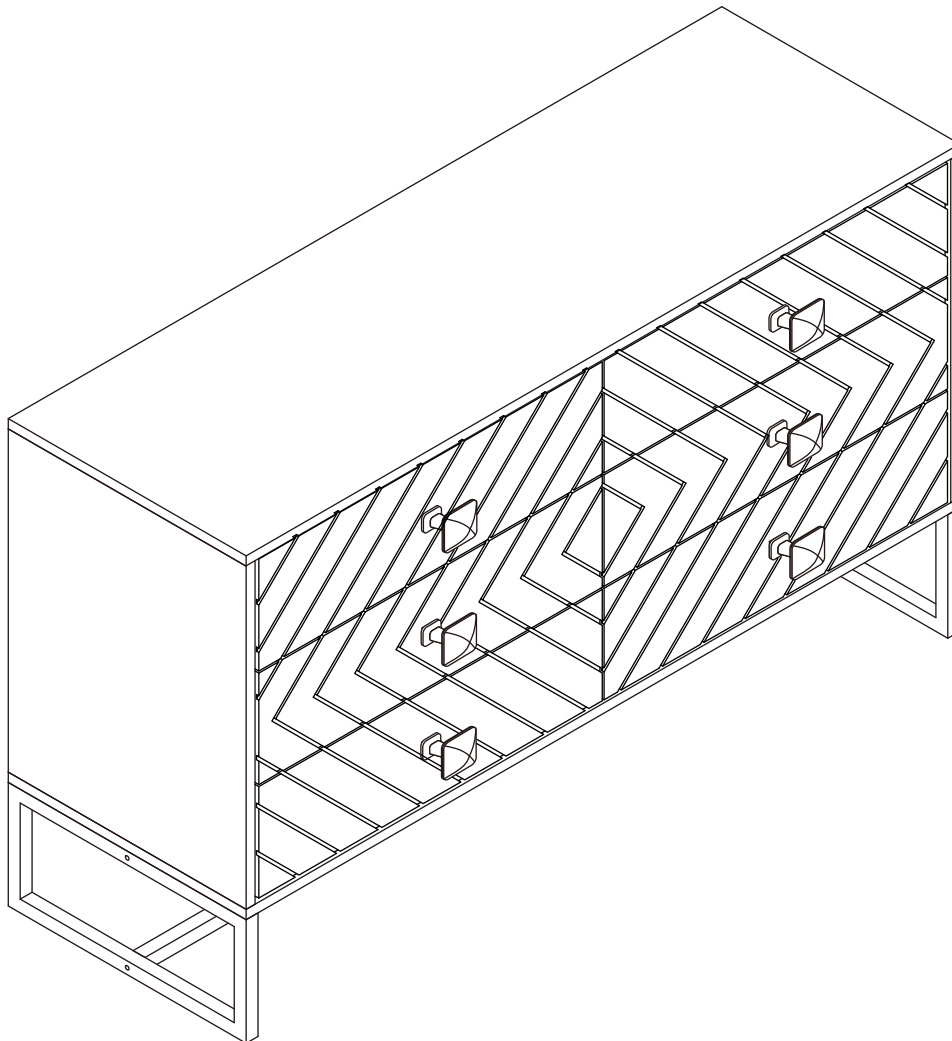



# GLOBAL PROCUREMENT AND MARKETING LIMITED#

## AZTEC 6-DRAWERS CABINET

Assembly Instructions – Please keep for future reference

CHTAZT6DW



Dimensions	No. people	Assembly Time	OW #
Width: 39.5 cm Depth: 120 cm Height: 71 cm		120 mins (approx.)	CHTAZT6DW

*thank you*

For purchasing this  
**GPM Limited**  
product

### Important


- PLEASE READ THESE INSTRUCTIONS FULLY BEFORE STARTING ASSEMBLY
- PLEASE DO NOT THROW THE PACKAGING AWAY UNTIL YOU ARE SATISFIED WITH PURCHASE, GOODS NEED TO BE RETURNED IN ORIGINAL PACKAGING.

If you need help or have damaged or missing parts, please email [aftersales@gpmfurniture.co.uk](mailto:aftersales@gpmfurniture.co.uk)

## Safety and Care Advice

### Important

- PLEASE READ THESE INSTRUCTIONS FULLY BEFORE STARTING ASSEMBLY
- PLEASE DO NOT THROW THE PACKAGING AWAY UNTIL YOU ARE SATISFIED WITH PURCHASE, GOODS NEED TO BE RETURNED IN ORIGINAL PACKAGING.

- Check you have all the components and tools listed on pages 4 and 5.
- Remove all fittings from the plastic bags and separate them into their groups.
- Keep children and animals away from the work area, small parts could choke if swallowed.
- Make sure you have enough space to lay out the parts before starting.
- Do not stand or put weight on the product, this could cause damage.
- Assemble the item as close to its final position (in the same room) as possible.
- Assemble on a soft, level surface to avoid damaging the unit or your floor.
- We do not recommend the use of power drill/drivers for inserting screws, as this could damage the unit.  
 Only use hand screwdrivers.
- Dispose of all packaging carefully and responsibly.

### Care and Maintenance

- Only clean using a damp cloth and mild detergent, do not use bleach or abrasive cleaners.
- From time to time check that there are no loose screws on this unit.
- This product should not be discarded with household waste. Take to your local authority waste disposal centre.

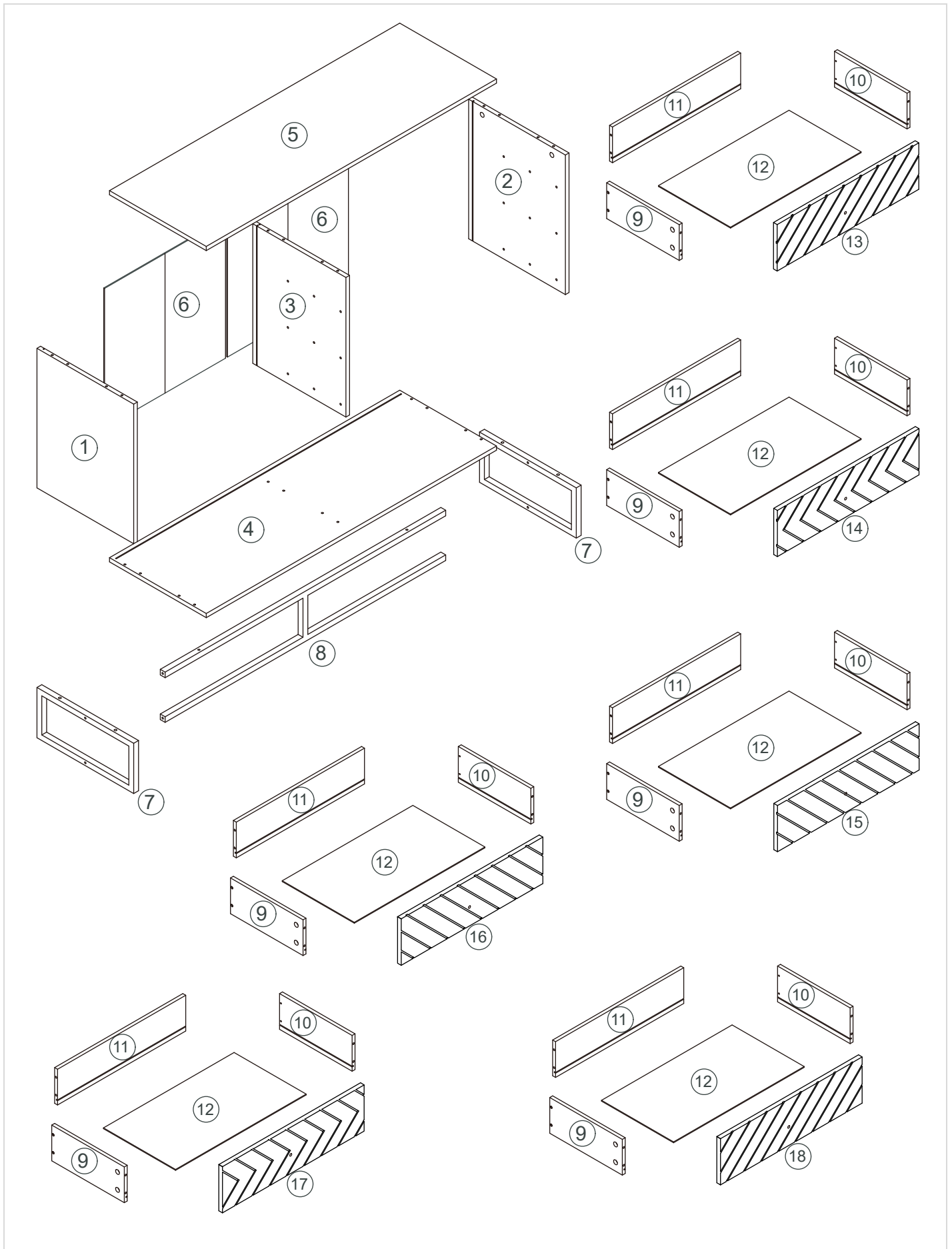
If kept outside please ensure in the winter months that the product is correctly covered or put away into a dry environment to prevent corrosion, weathering or damage.

If your product is not designed to be outside, we recommend that it is always kept indoors in a dry environment.

**If you are unhappy with the product and wish to return it, please follow the retailer's returns procedure.**

# Exploded View

If you have damaged or missing components,  
email: [aftersales@gpmfurniture.co.uk](mailto:aftersales@gpmfurniture.co.uk)



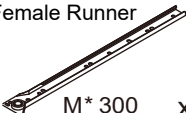
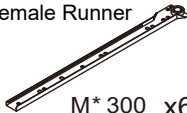


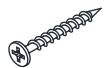
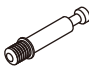

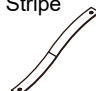







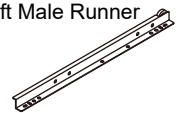
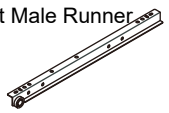
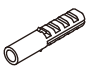



# Components - Fixings

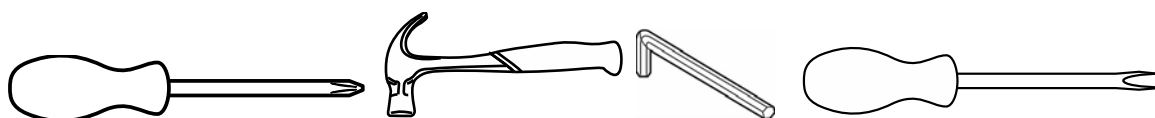
If you have damaged or missing components,  
email: [aftersales@gpmfurniture.co.uk](mailto:aftersales@gpmfurniture.co.uk)

**Please check that you have all the components listed below before constructing your item.**

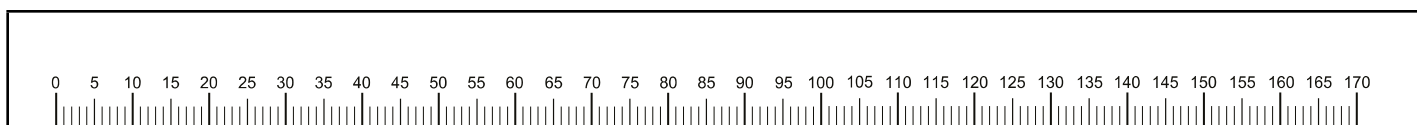
**Note:** The quantities below are the correct amount to complete the assembly. In some cases more fittings may be supplied than are required.

<b>(A)</b>	Left Female Runner  M* 300 x6	<b>(B)</b>	Right Female Runner  M* 300 x6	<b>(C)</b>	Screw  M3*12 x72+7	<b>(D)</b>	Dowel  M6*30 x12+1
<b>(E)</b>	Screw  M4*30 x32+3	<b>(F)</b>	Cam Bolt  x30+3	<b>(G)</b>	Cam Lock  x30+3	<b>(H)</b>	Wall Fixing Stripe  x2
<b>(I)</b>	Screw  M4*12 x2	<b>(J)</b>	Rear Panel Hook  x8	<b>(K)</b>	Screw  M3*14 x8	<b>(L)</b>	Bolt  M6*30 x8
<b>(M)</b>	Allen Key  x1	<b>(N)</b>	Bolt  M4*20 x6	<b>(O)</b>	Handle  x6	<b>(P)</b>	Left Male Runner  x6
<b>(Q)</b>	Right Male Runner  x6	<b>(R)</b>	Wall Anchor  x2	<b>(S)</b>	Screw  M4*35 x2		

## Tools Required



**Ruler** – Use this to measure your screws (mm)



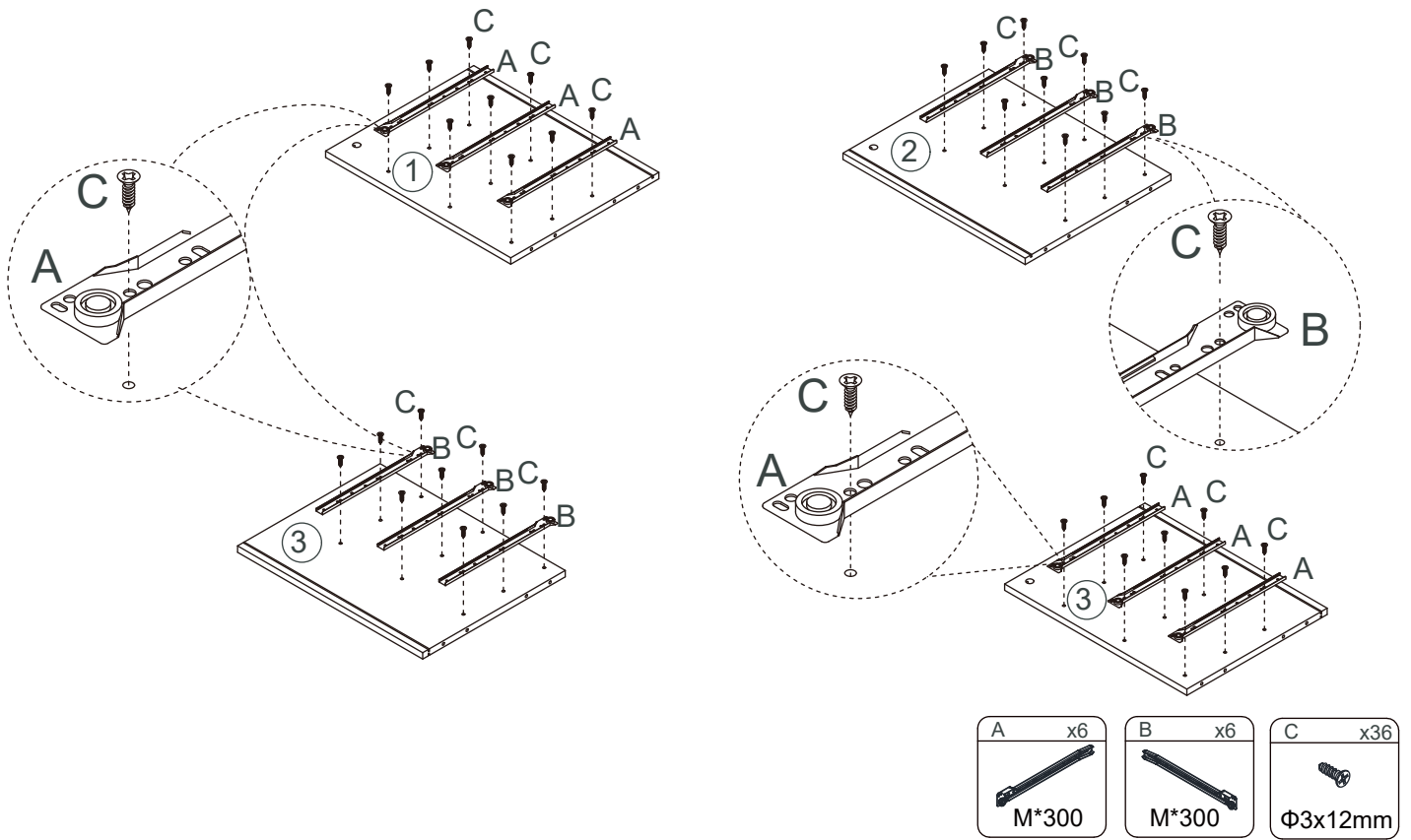
**Important** – Please read these instructions fully before starting assembly

If you need help or have damaged or missing parts, please email [aftersales@gpmfurniture.co.uk](mailto:aftersales@gpmfurniture.co.uk)

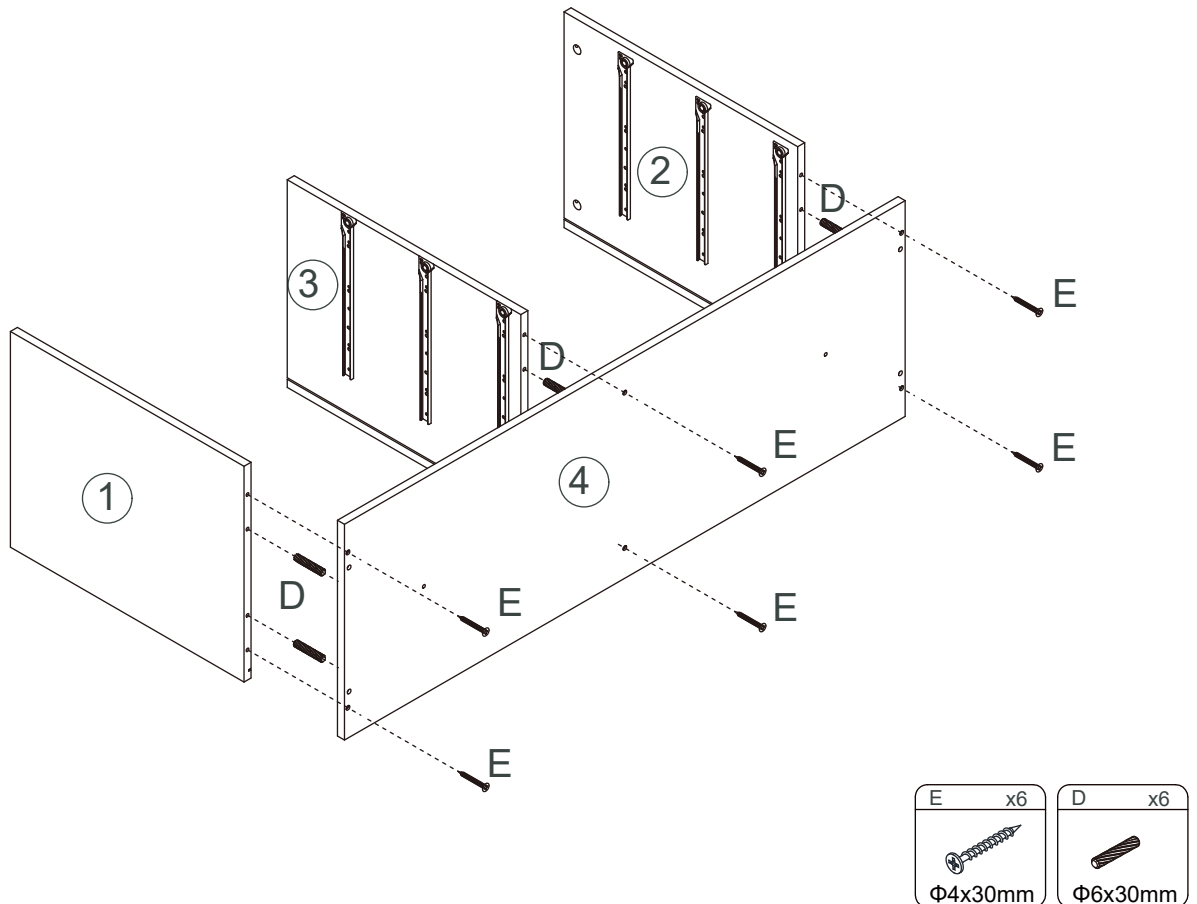
# Assembly Instructions

If you have damaged or missing components,  
email: [aftersales@gpmfurniture.co.uk](mailto:aftersales@gpmfurniture.co.uk)

## Step 1



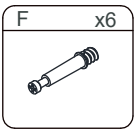
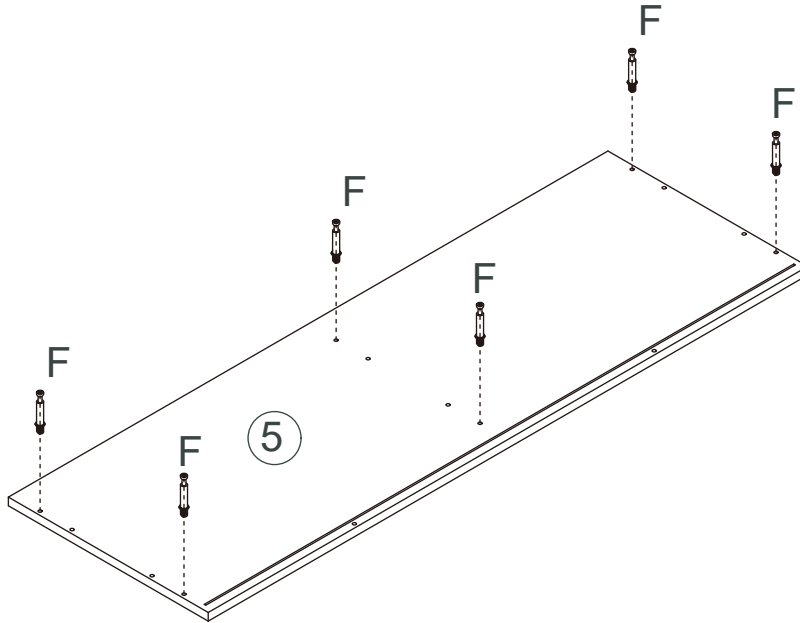
## Step 2



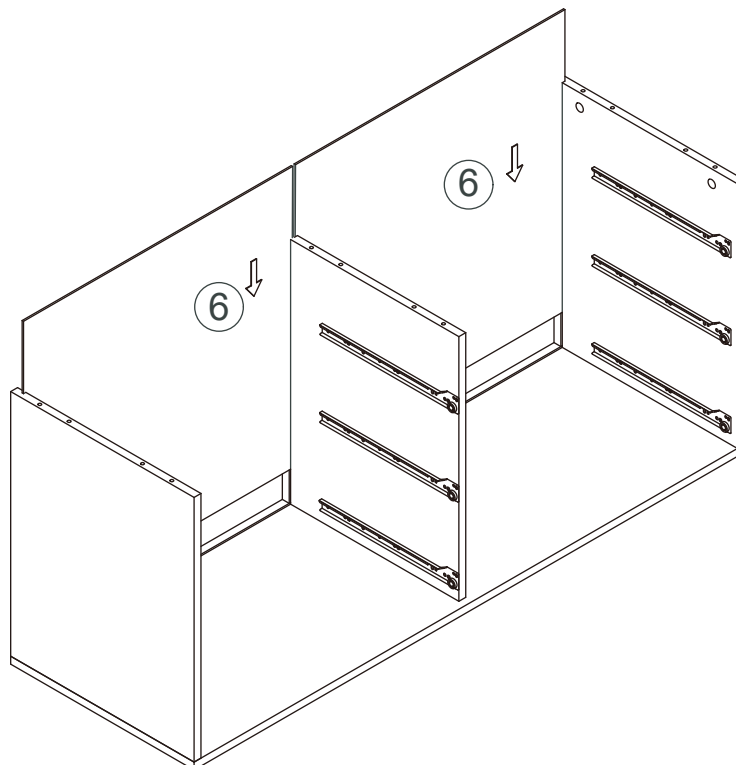
# Assembly Instructions

If you have damaged or missing components,  
email: [aftersales@gpmfurniture.co.uk](mailto:aftersales@gpmfurniture.co.uk)

## Step 3



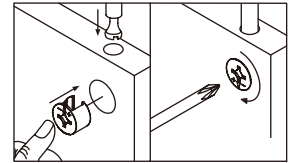
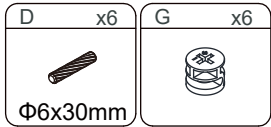
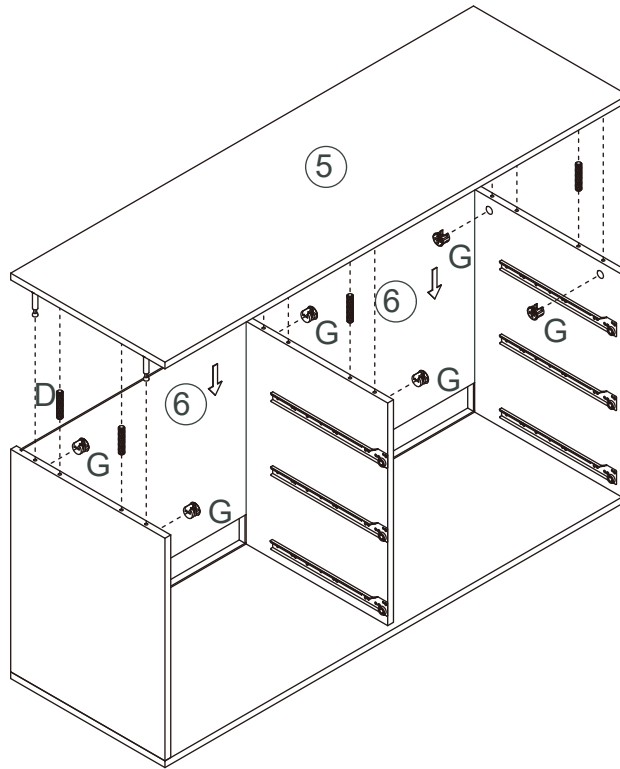
## Step 4



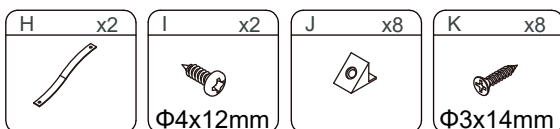
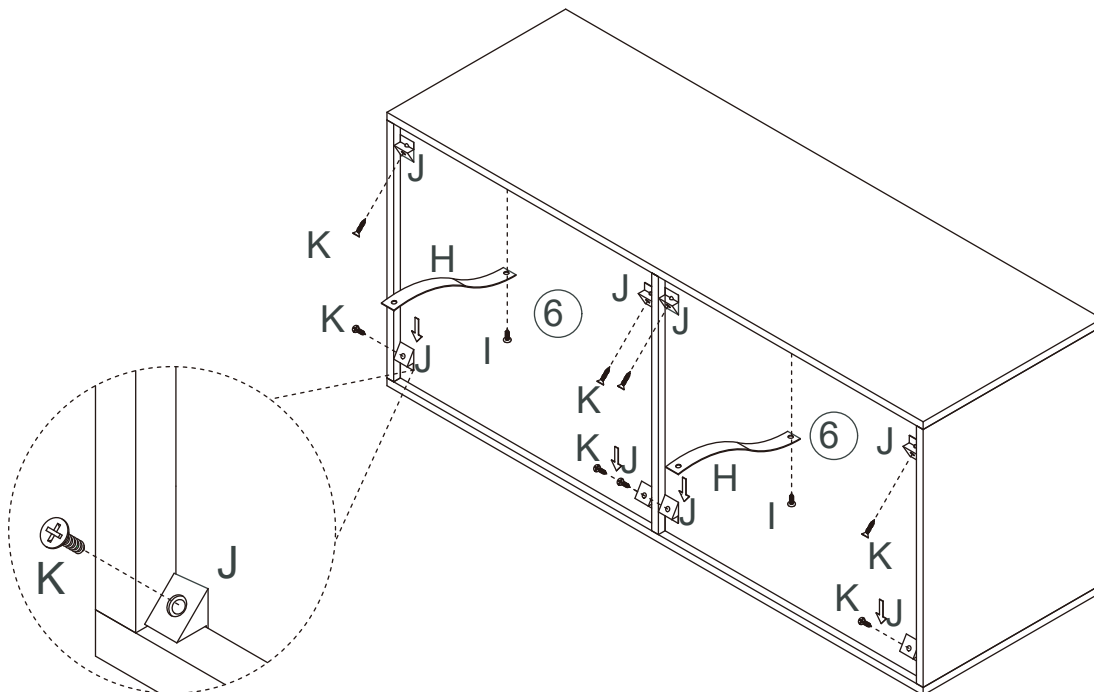
# Assembly Instructions

If you have damaged or missing components,  
email: [aftersales@gpmfurniture.co.uk](mailto:aftersales@gpmfurniture.co.uk)

## Step 5



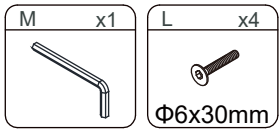
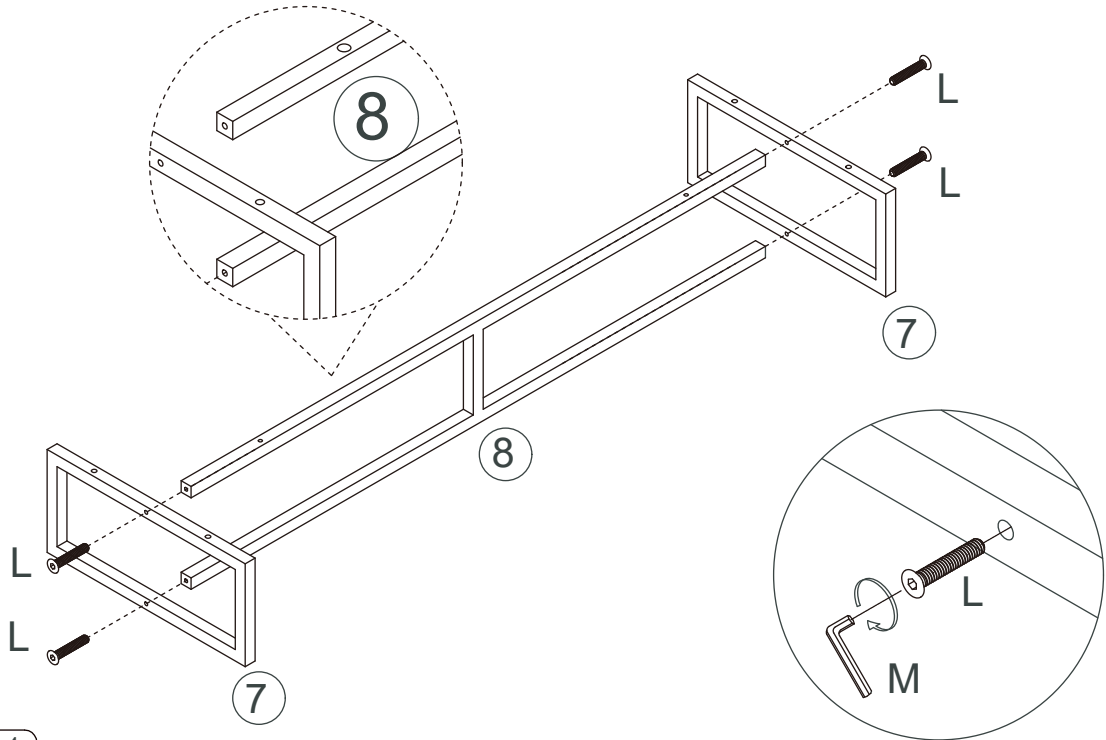
## Step 6



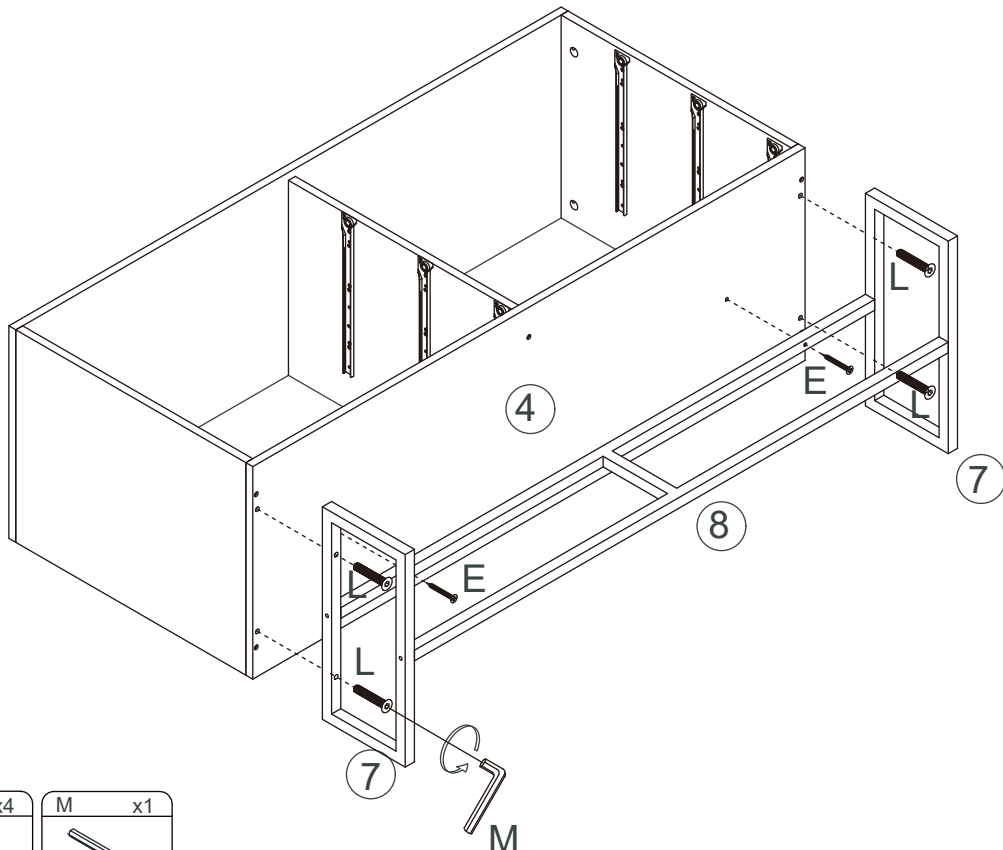
# Assembly Instructions

If you have damaged or missing components,  
email: [aftersales@gpmfurniture.co.uk](mailto:aftersales@gpmfurniture.co.uk)

## Step 7



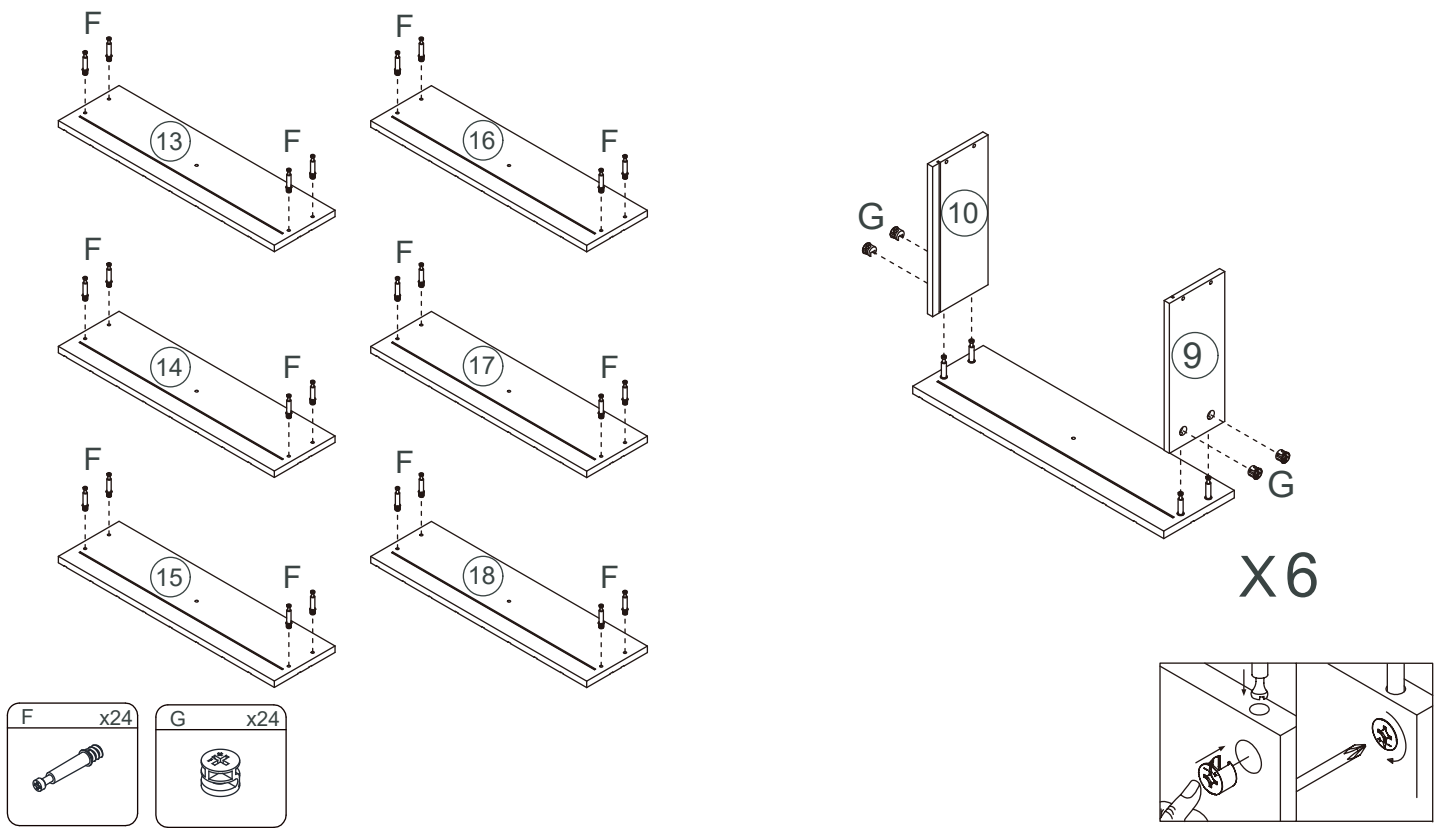
## Step 8



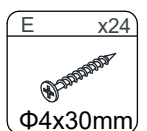
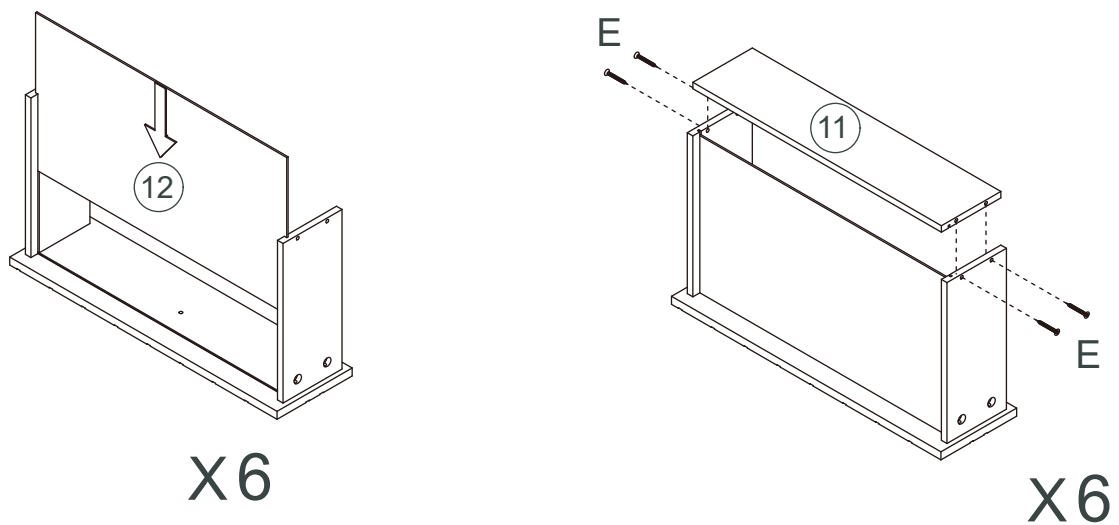
# Assembly Instructions

If you have damaged or missing components,  
email: [aftersales@gpmfurniture.co.uk](mailto:aftersales@gpmfurniture.co.uk)

## Step 9



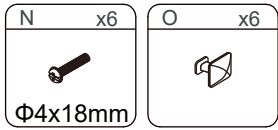
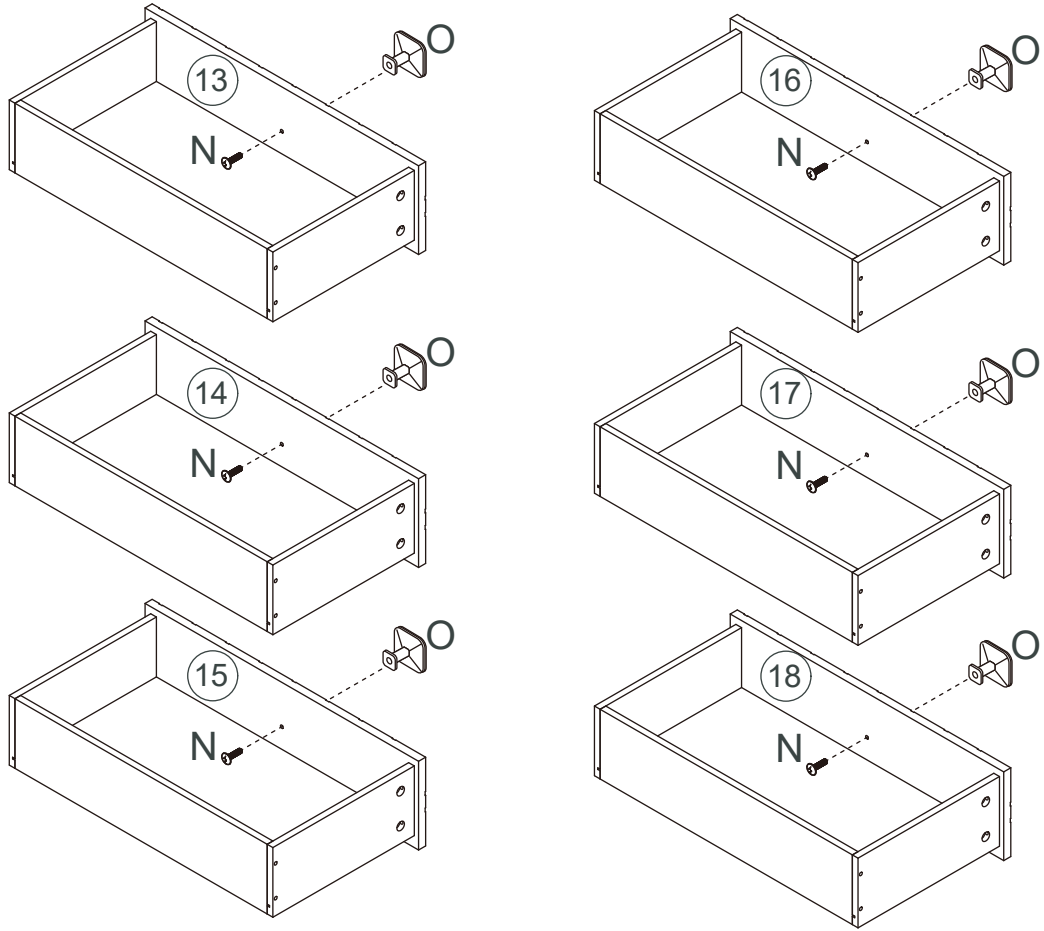
## Step 10



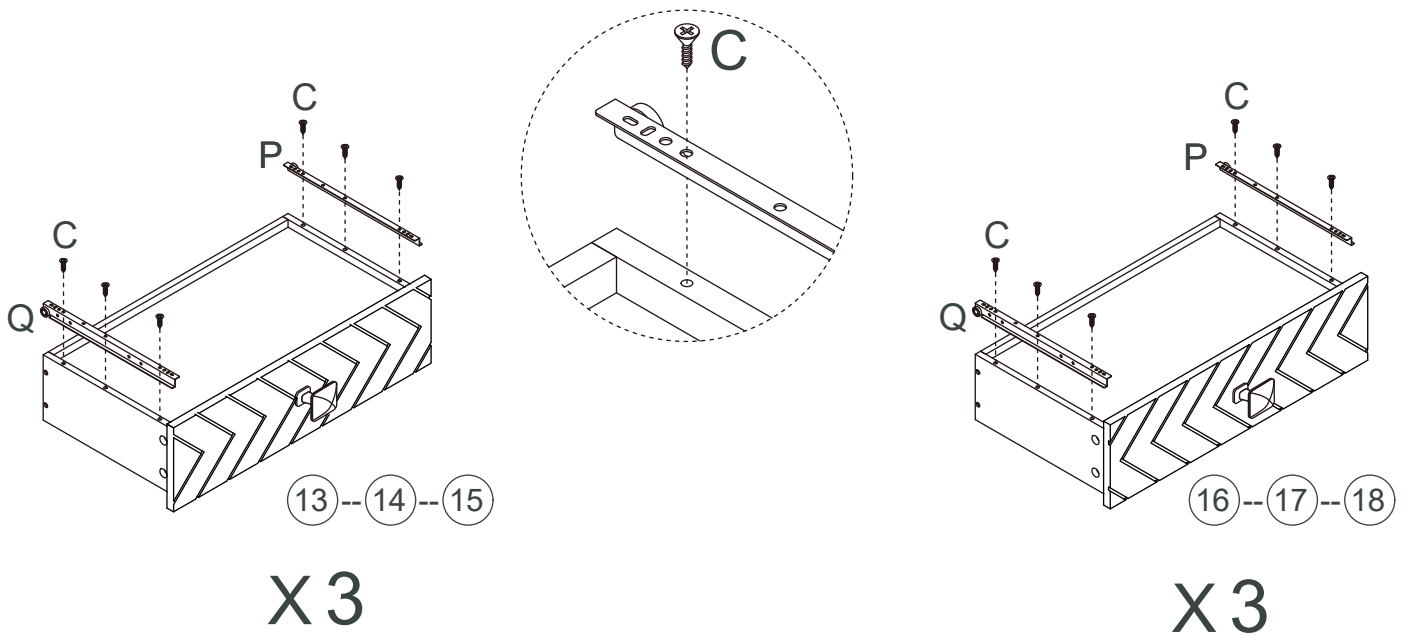
# Assembly Instructions

If you have damaged or missing components,  
email: [aftersales@gpmfurniture.co.uk](mailto:aftersales@gpmfurniture.co.uk)

## Step 11

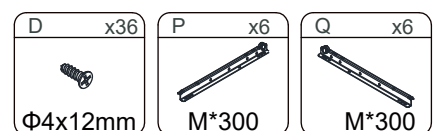


## Step 12



X 3

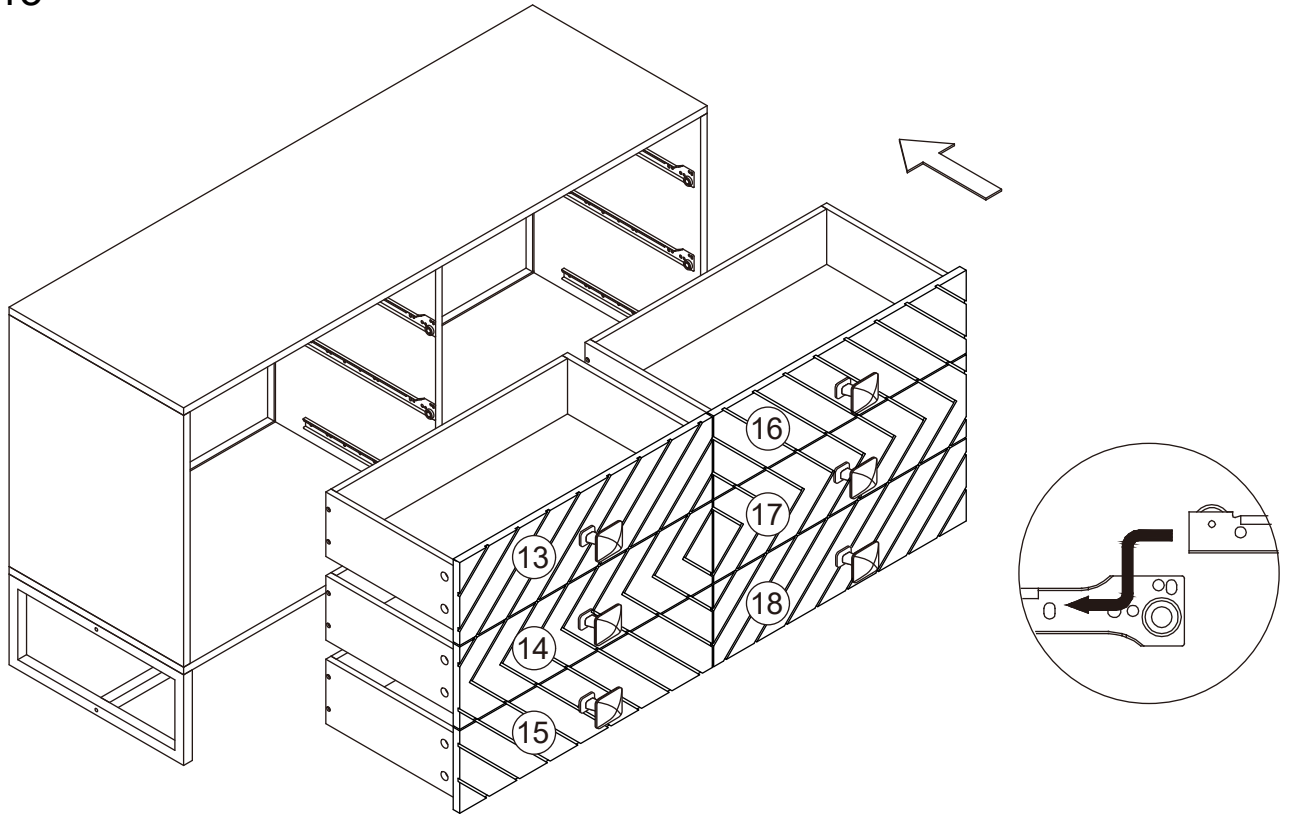
X 3



# Assembly Instructions

If you have damaged or missing components,  
email: [aftersales@gpmfurniture.co.uk](mailto:aftersales@gpmfurniture.co.uk)

## Step 13



## Step 14

