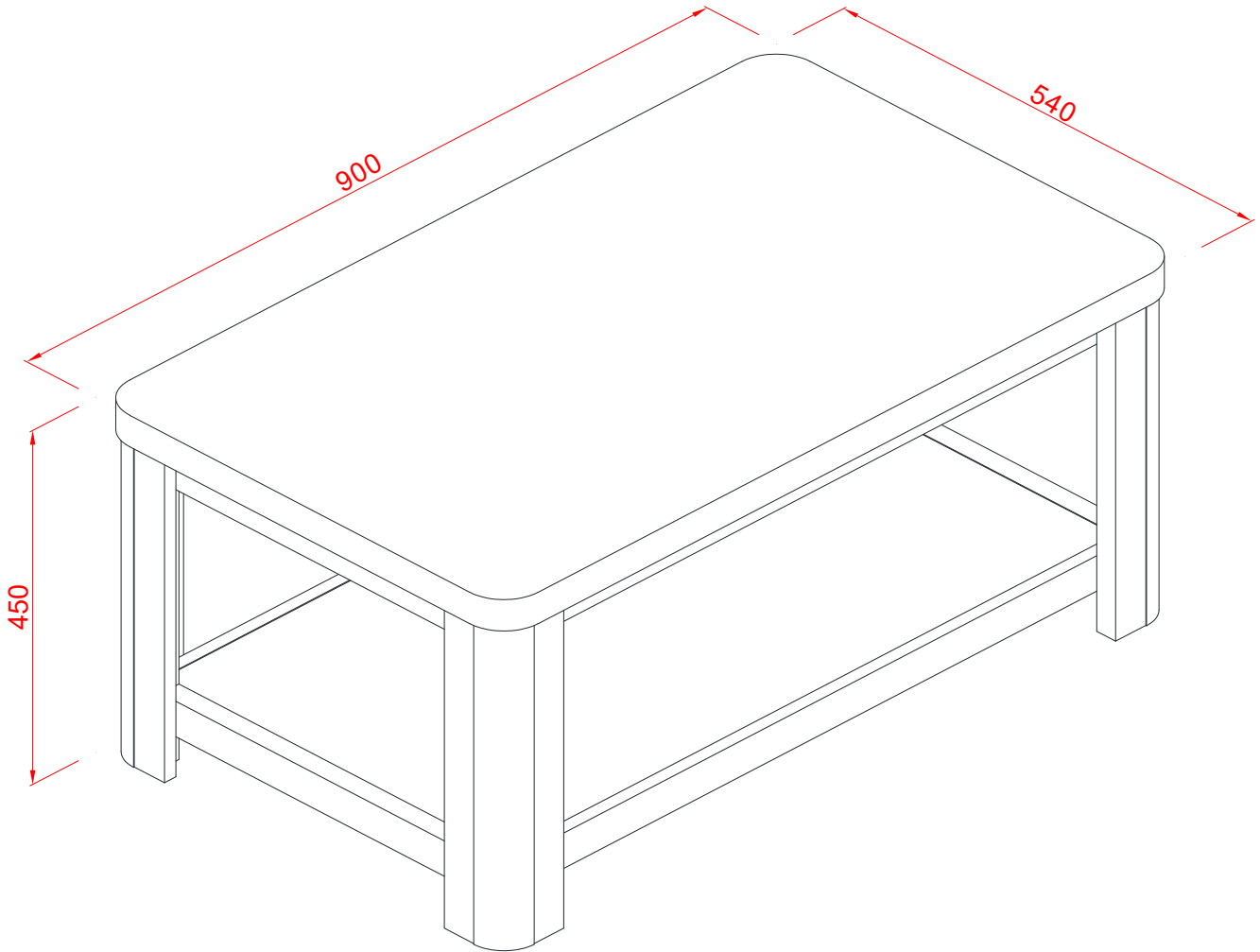


# GOLBAL PROCUREMENT AND MARKETING LIMITED

## HUNTINGDON COFFEE TABLE

Assembly instruction- Please keep for future reference

COFHUNOAK



Dimensions	No. People	Assembly Time	OW#
Width: 90 cm	🧑	35 mins (approx)	COFHUNOAK
Depth: 54 cm			
Height: 45 cm			

*thank you*

For purchasing this  
**GPM Limited**  
product

Important-Please read these instructions fully before starting assembly

If you need help or have damaged or missing parts, please email [aftersales@gpmfurniture.co.uk](mailto:aftersales@gpmfurniture.co.uk)

## ⚠ Safety and Care Advice

Important-Please read these instructions fully before starting assembly

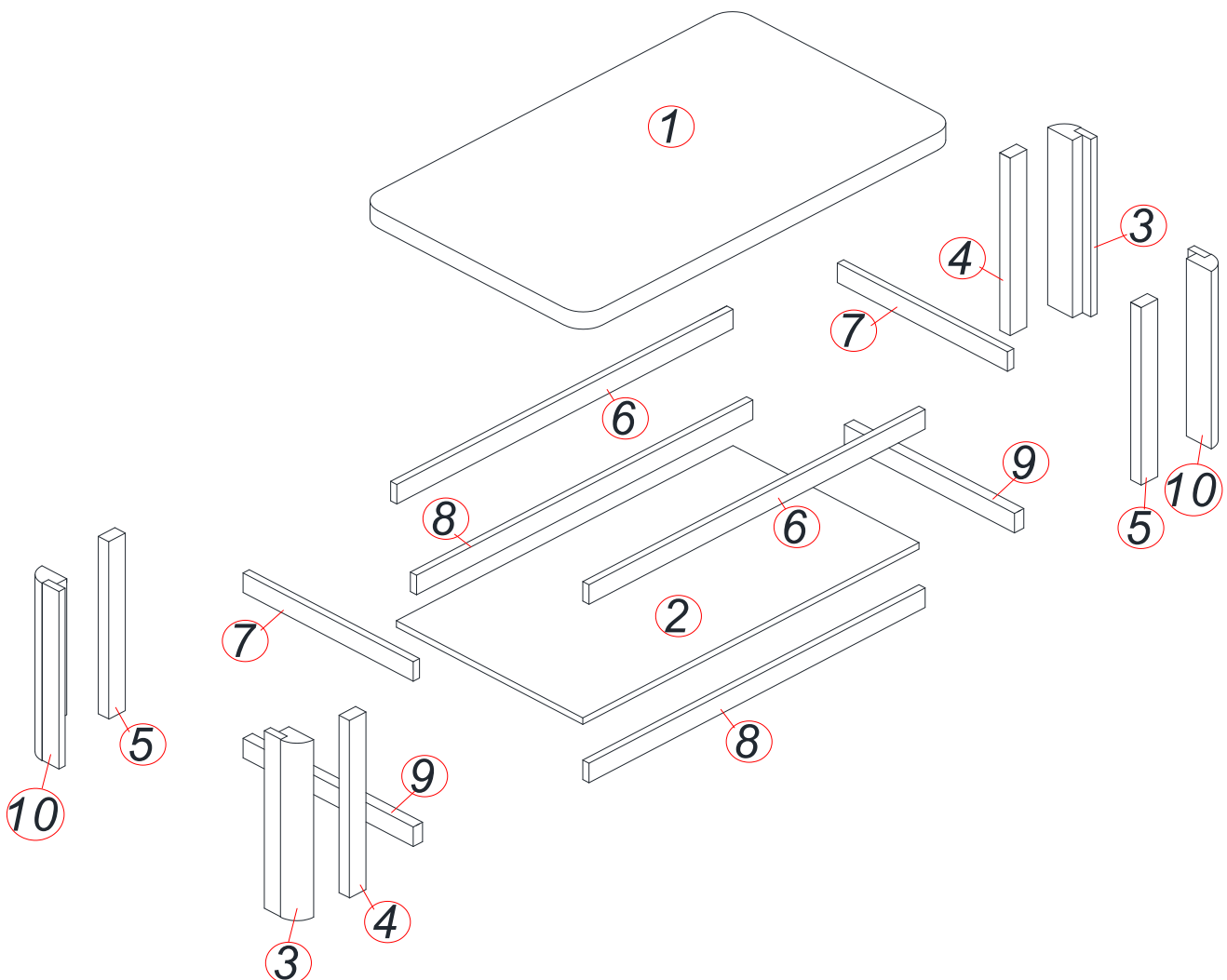
- Check you have all the components and tools listed on pages 2,3 and 4.
- Remove all fittings from the plastic bags and separate them into their groups.
- Keep children and animals away from the work area, small parts could choke if swallowed.
- Make sure you have enough space to lay out the parts before starting.
- Do not stand or put weight on the product, this could cause damage.
- Assemble the item as close to its final position (in the same room) as possible.
- Assemble on a soft, level surface to avoid damaging the unit or your floor.
- We do not recommend the use of power drill/drivers for inserting screw, as this could damage the unit. only use hand screwdrivers.
- Dispose of all packaging carefully and responsibly.



## Care and Maintenance

- Only clean using a damp cloth and mild detergent, do not use bleach or abrasive cleaners.
- From time to time check that there are no loose screws on this unit.
- This product should not be discarded with household waste. Take to your local authority waste disposal centre.

If you are unhappy with the product and wish to return it, please following the retailer's return procedure





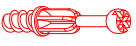


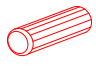





# Components - Fixings

If you have damaged or missing components,  
email [aftersales@gpmfurniture.co.uk](mailto:aftersales@gpmfurniture.co.uk)

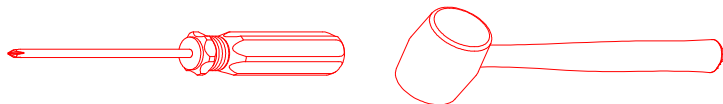
Please check that you have all the components listed below before constructing your item.

**Note:** The quantities below are the correct amount to complete the assembly. In some cases more fittings may be supplied than

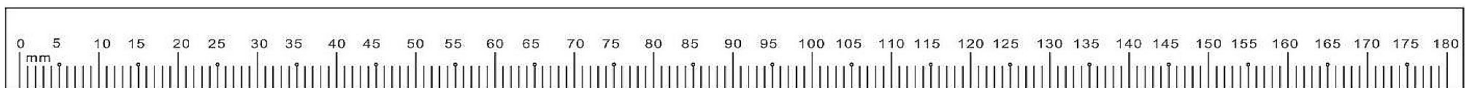
## HARDWARE

<p>(A)</p>  <p>MINIFIX 16MM X 14</p>	<p>(B)</p>  <p>MINICAM 16MM X 14</p>	<p>(C)</p>  <p>ALLEN KEY X 1</p>	<p>(D)</p>  <p>WOOD DOWEL 8 X 30 MM X 24</p>	<p>(E)</p>  <p>NAIL LEG 5/8 X 4</p>
<p>(F)</p>  <p>CSK M4 X 25 MM X 20</p>	<p>(G)</p>  <p>CSK M4 X 38MM X 4</p>	<p>(H)</p>  <p>CSK M4 X 45MM X 10</p>	<p>(I)</p>  <p>ROUND STICKER D20 X 8</p>	

## Tools Required (Not Provided)



## Ruler - Use this to measure your screws (mm)



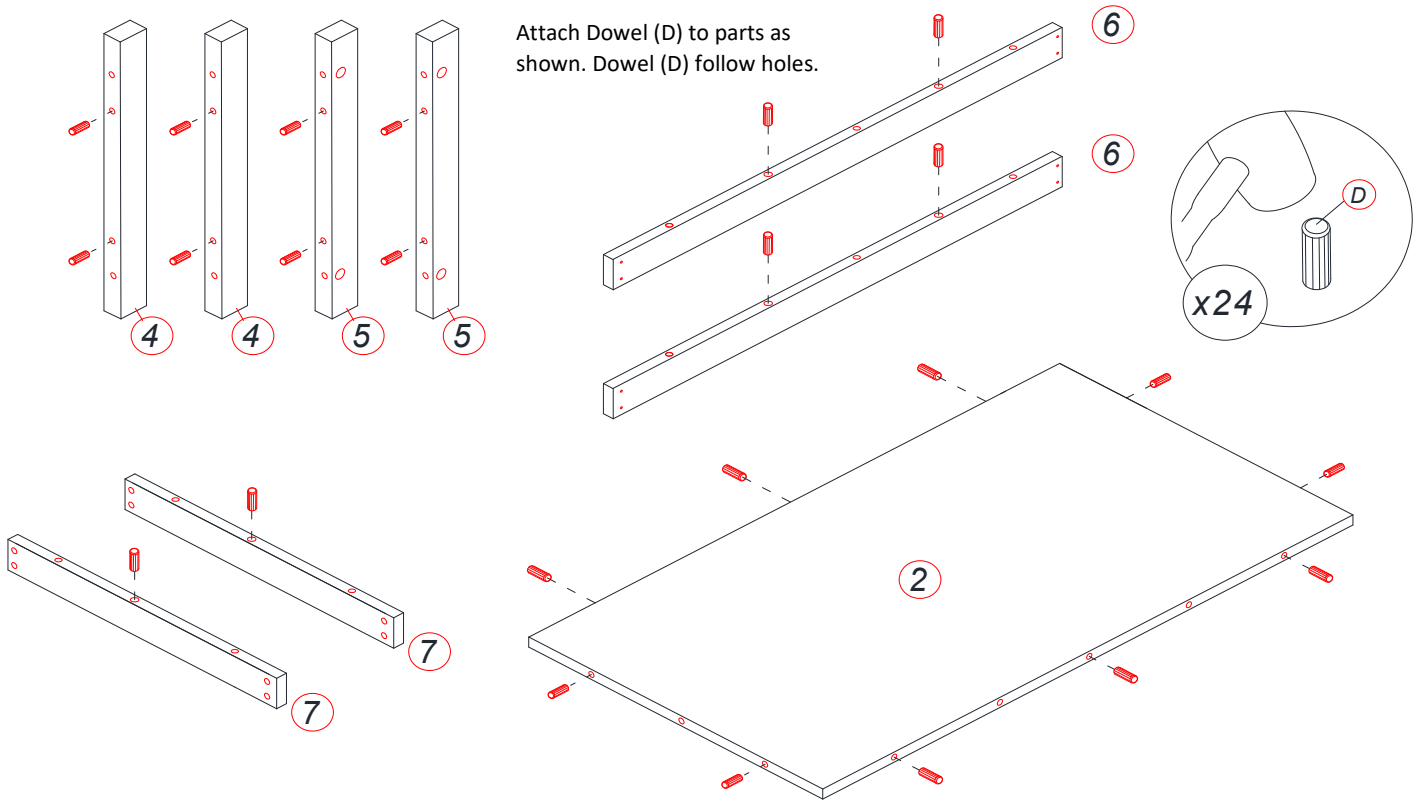
## Important-Please read these instructions fully before starting assembly

If you need help or have damaged or missing parts, please email [aftersales@gpmfurniture.co.uk](mailto:aftersales@gpmfurniture.co.uk)

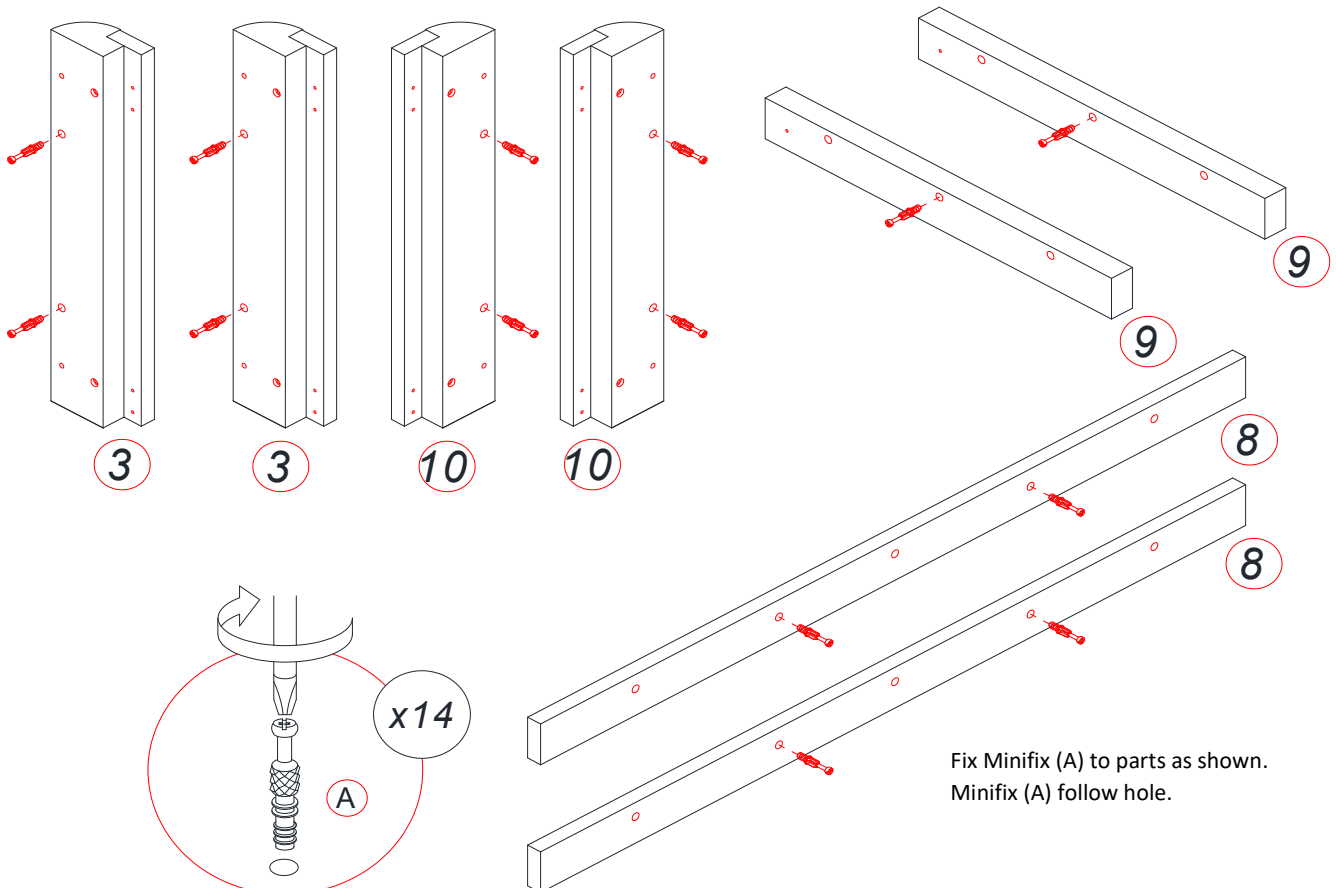
# Assembly Instructions

If you have damaged or missing components,  
email [aftersales@gpmfurniture.co.uk](mailto:aftersales@gpmfurniture.co.uk)

## Step 1

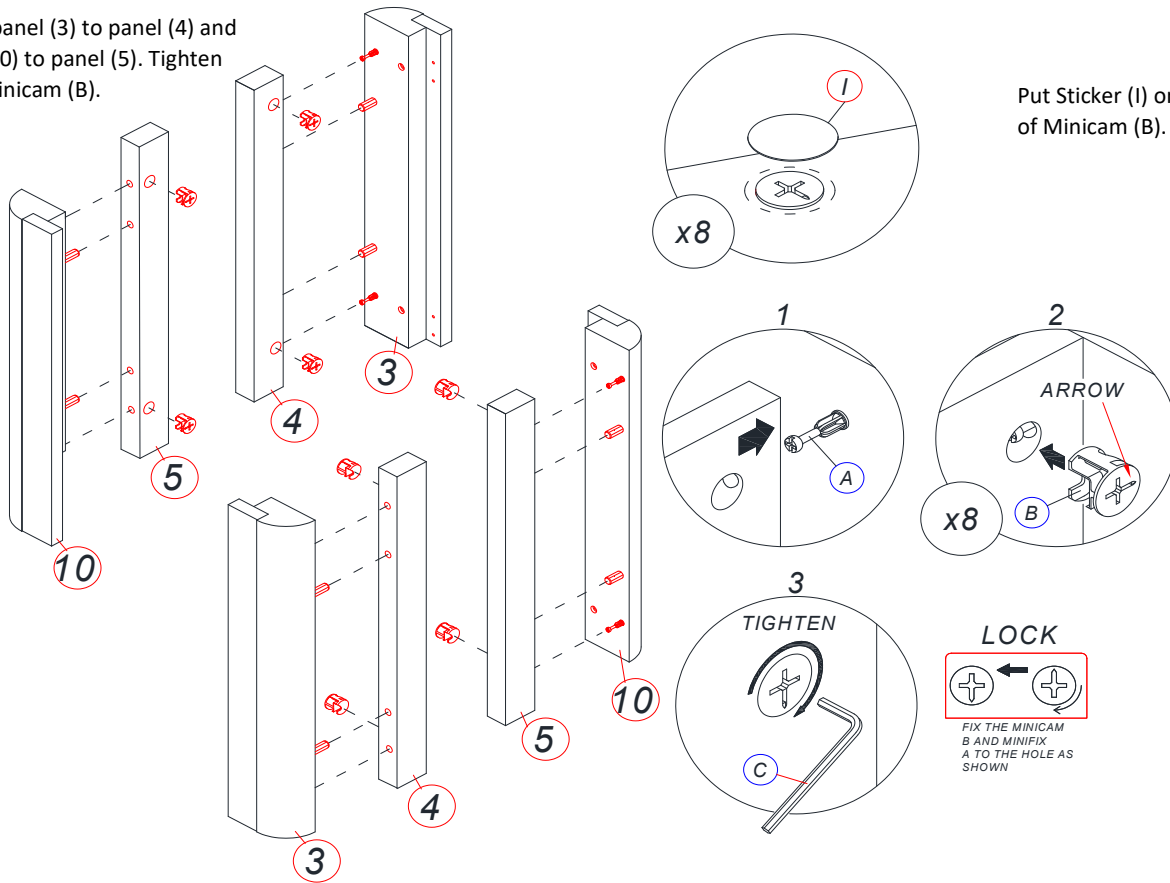


## Step 2



## Step 1

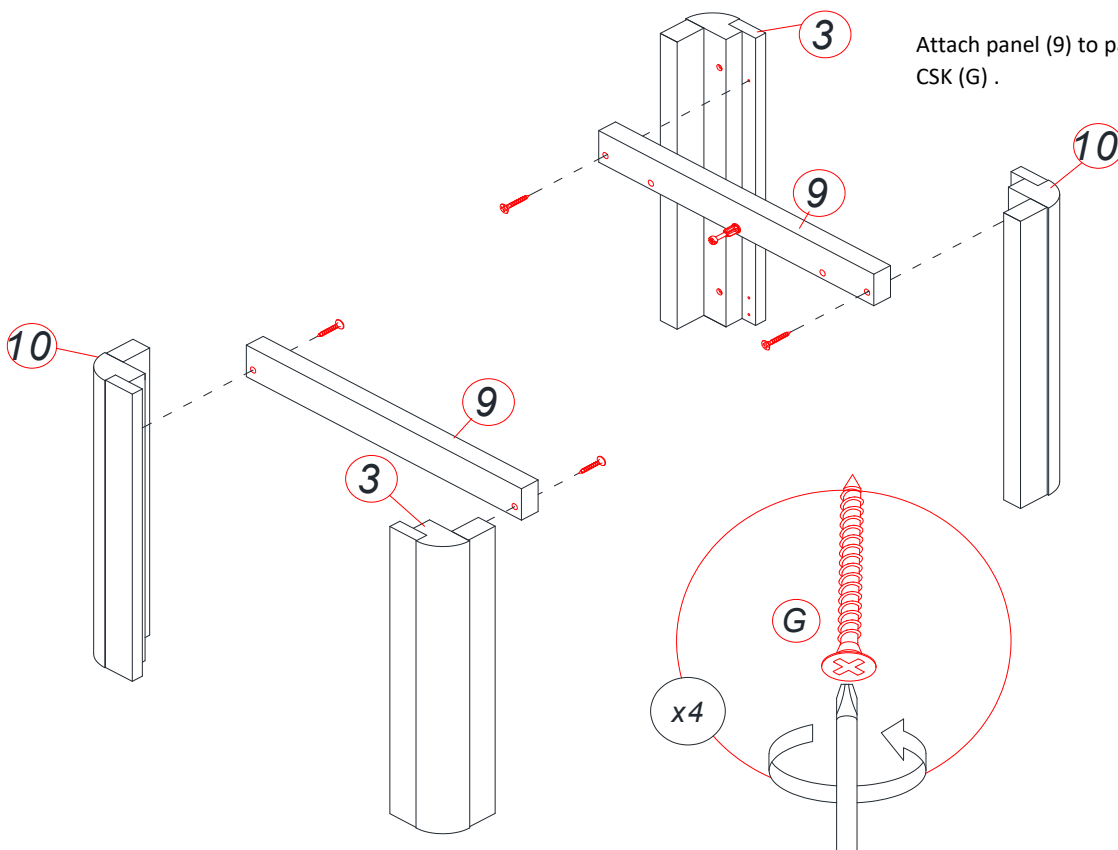
Attach panel (3) to panel (4) and panel (10) to panel (5). Tighten using Minicam (B).



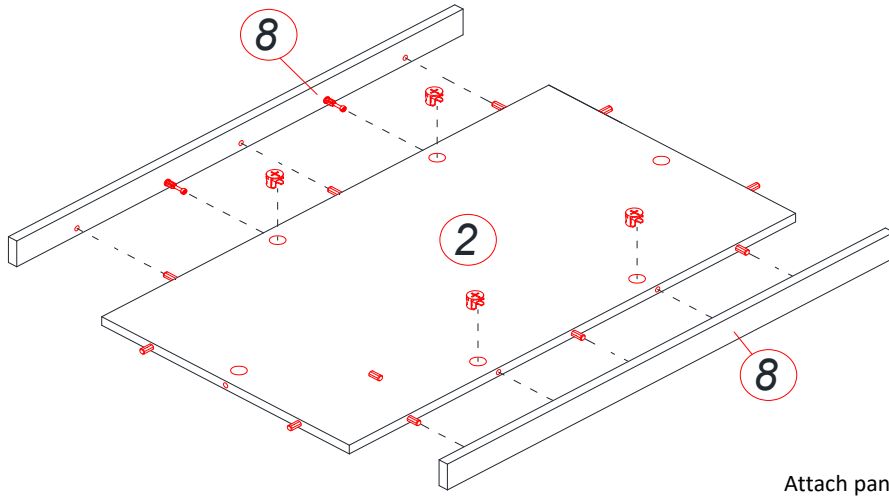
Put Sticker (I) on the top surface of Minicam (B).

## Step 2

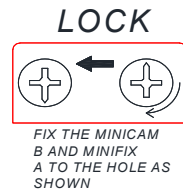
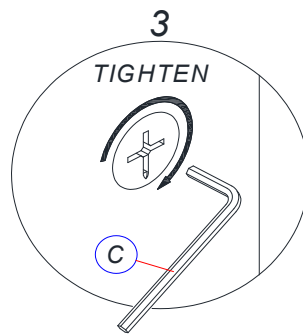
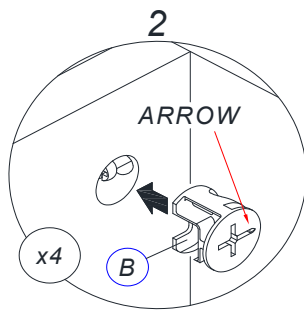
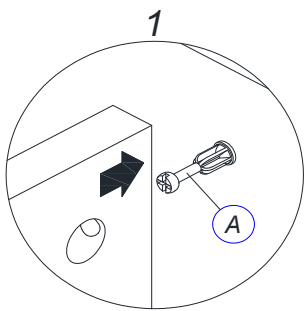
Attach panel (9) to panel (3 & 10) using CSK (G).



Step 3

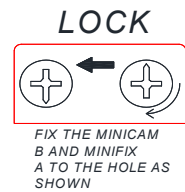
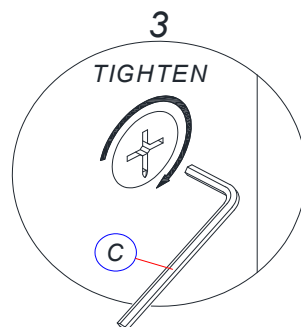
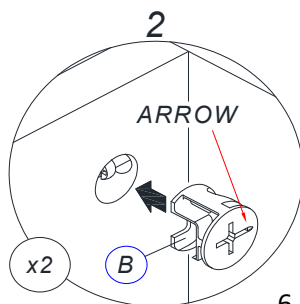
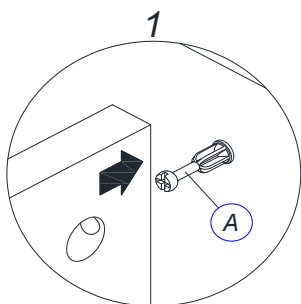
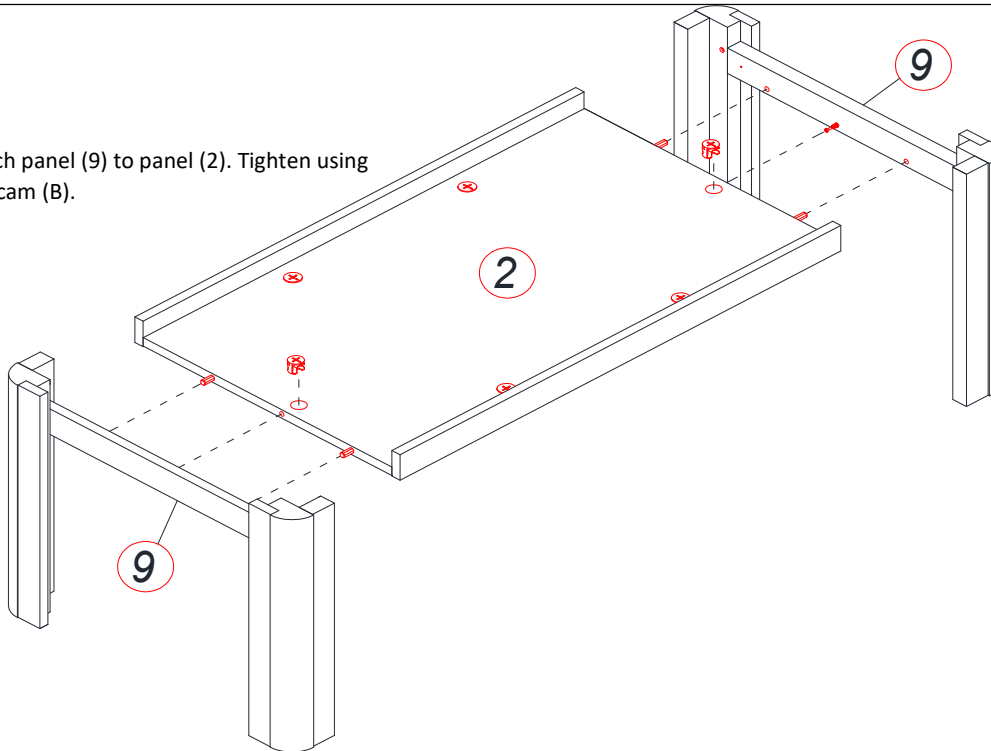


Attach panel (8) to panel (2). Tighten using Minicam (B).



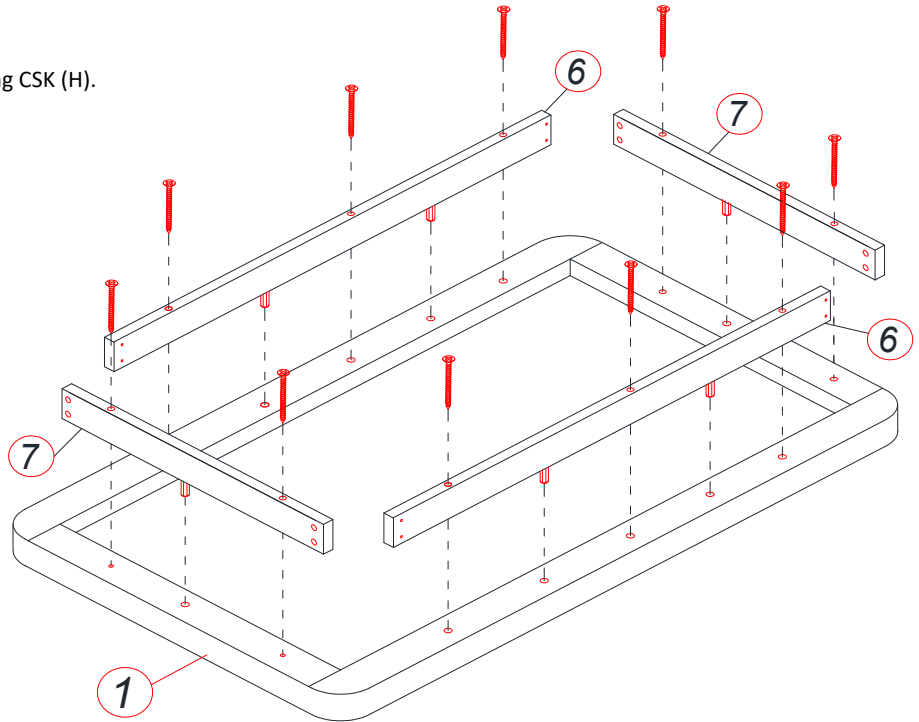
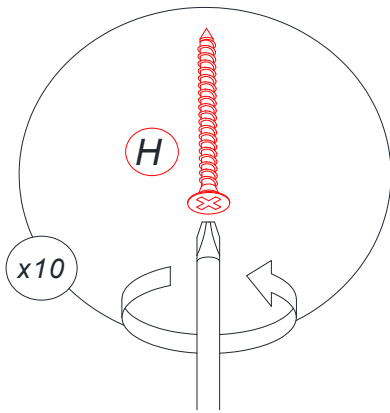
Step 4

Attach panel (9) to panel (2). Tighten using Minicam (B).



## Step 5

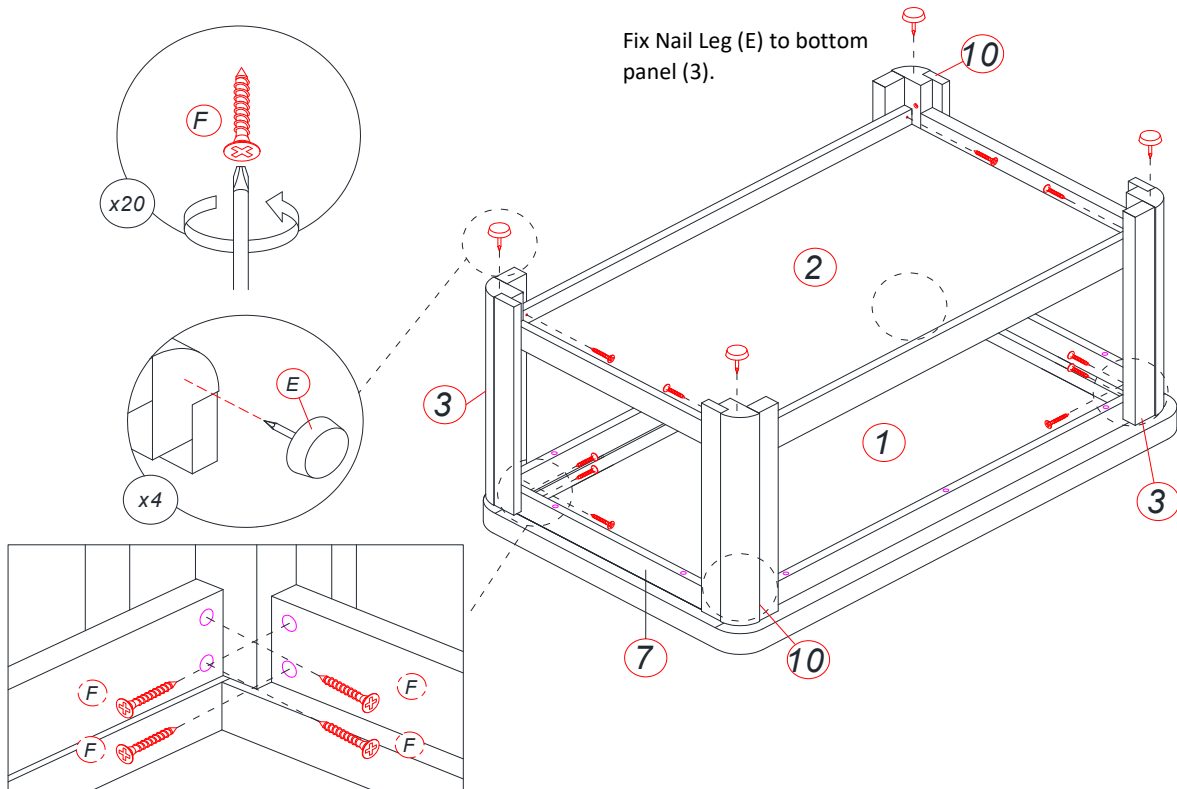
Attach panel (6 & 7) to panel (1) with using CSK (H).



## Step 6

# Assembly Complete

Fix Nail Leg (E) to bottom panel (3).



Attach panel (7) to panel (3 & 10) with using CSK (F).