

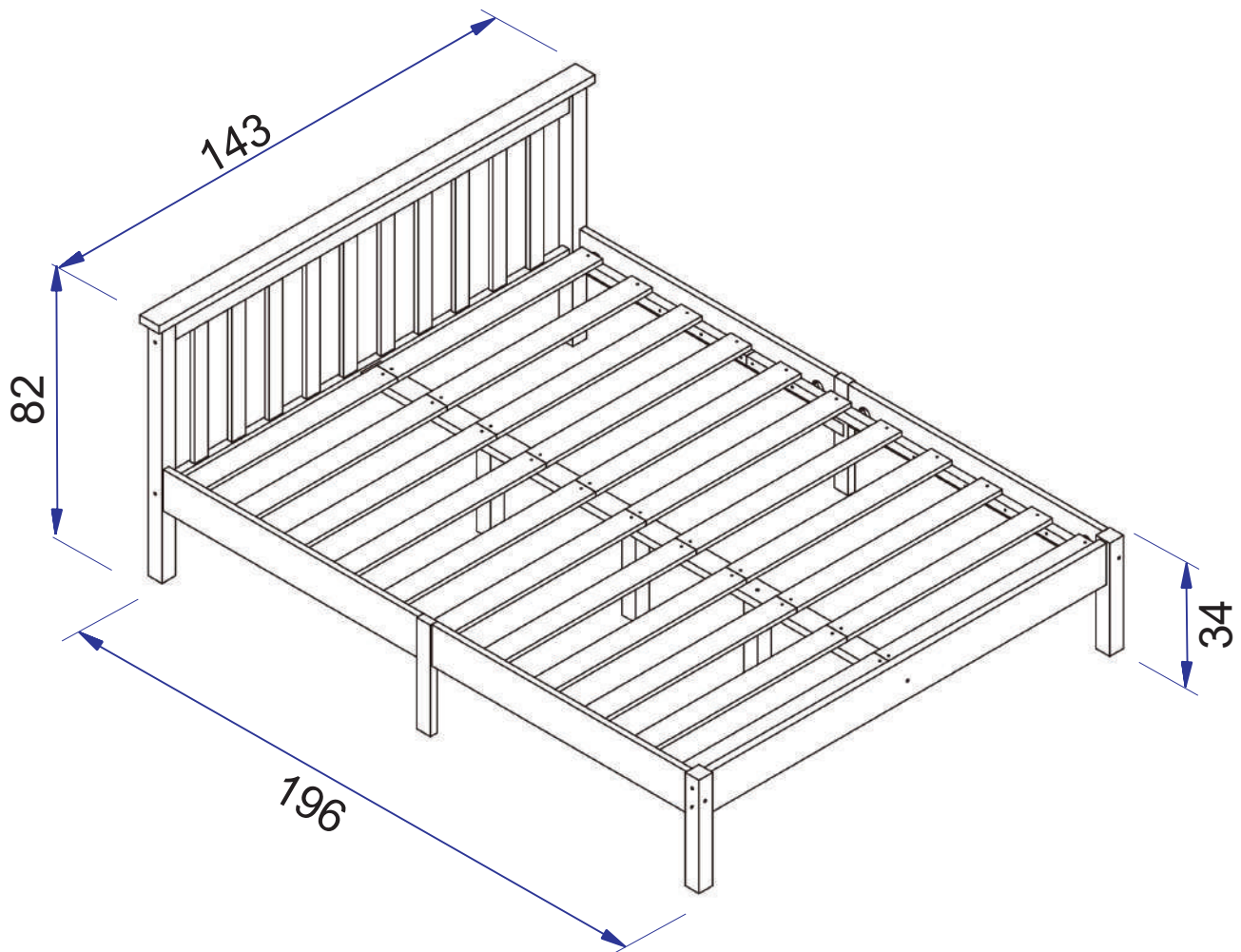
Low Foot End Wooden Bed


Assembly Instructions – Please keep for future reference

BEDFLL46W

BEDFLL46G

Assembly Instructions



Dimensions	No. people	Assembly Time	SKU #
Width: 196 cm		50 mins (approx.)	BEDFLL46W
Depth: 143 cm			BEDFLL46G
Height: 82 cm			

thank you

For purchasing this

GPM Limited
product

Important

- PLEASE READ THESE INSTRUCTIONS FULLY BEFORE STARTING ASSEMBLY
- PLEASE DO NOT THROW THE PACKAGING AWAY UNTIL YOU ARE SATISFIED WITH PURCHASE, GOODS NEED TO BE RETURNED IN ORIGINAL PACKAGING.

If you need help or have damaged or missing parts, please email aftersales@gpmfurniture.co.uk

Safety and Care Advice

Important

- PLEASE READ THESE INSTRUCTIONS FULLY BEFORE STARTING ASSEMBLY
- PLEASE DO NOT THROW THE PACKAGING AWAY UNTIL YOU ARE SATISFIED WITH PURCHASE, GOODS NEED TO BE RETURNED IN ORIGINAL PACKAGING.

- Check you have all the components and tools listed on pages 4 and 5.
- Remove all fittings from the plastic bags and separate them into their groups.
- Keep children and animals away from the work area, small parts could choke if swallowed.

- Make sure you have enough space to lay out the parts before starting.
- Do not stand or put weight on the product, this could cause damage.
- Assemble the item as close to its final position (in the same room) as possible.
- Assemble on a soft, level surface to avoid damaging the unit or your floor.



- We do not recommend the use of power drill/drivers for inserting screws, as this could damage the unit. Only use hand screwdrivers.
- Dispose of all packaging carefully and responsibly.

Care and Maintenance

- Only clean using a damp cloth and mild detergent, do not use bleach or abrasive cleaners.
- From time to time check that there are no loose screws on this unit.
- This product should not be discarded with household waste. Take to your local authority waste disposal centre.

If kept outside please ensure in the winter months that the product is correctly covered or put away into a dry environment to prevent corrosion, weathering or damage.

If your product is not designed to be outside, we recommend that it is always kept indoors in a dry environment.

Components - Panels

Please check that you have all the components listed below before constructing your item.

Part No	Description	Qty	Size (mm)	Thickness (mm)
1	HIGH LEG	1	800x40	30
2	HIGH LEG	1	800x40	30
3	SHORT LEG	1	340x40	30
4	SHORT LEG	1	340x40	30
5	HEADBOARD VERTICAL BAR	10	450x45	15
6	HEADBOARD	2	1330x45	18
7	HEADBOARD	2	1330x45	18
8	FOOTBOARD	2	1330x90	18
9	CENTRAL SIDE RAIL SUPPORT	4	340x60	20
10	SIDE RAIL	6	920x90	18
11	BEDSIDE STRIP	2	630x25	20
12	SLATS	26	675x60	13
13	SUPPORT	2	160x45	18
14	CENTRAL LEG	2	275x40	40

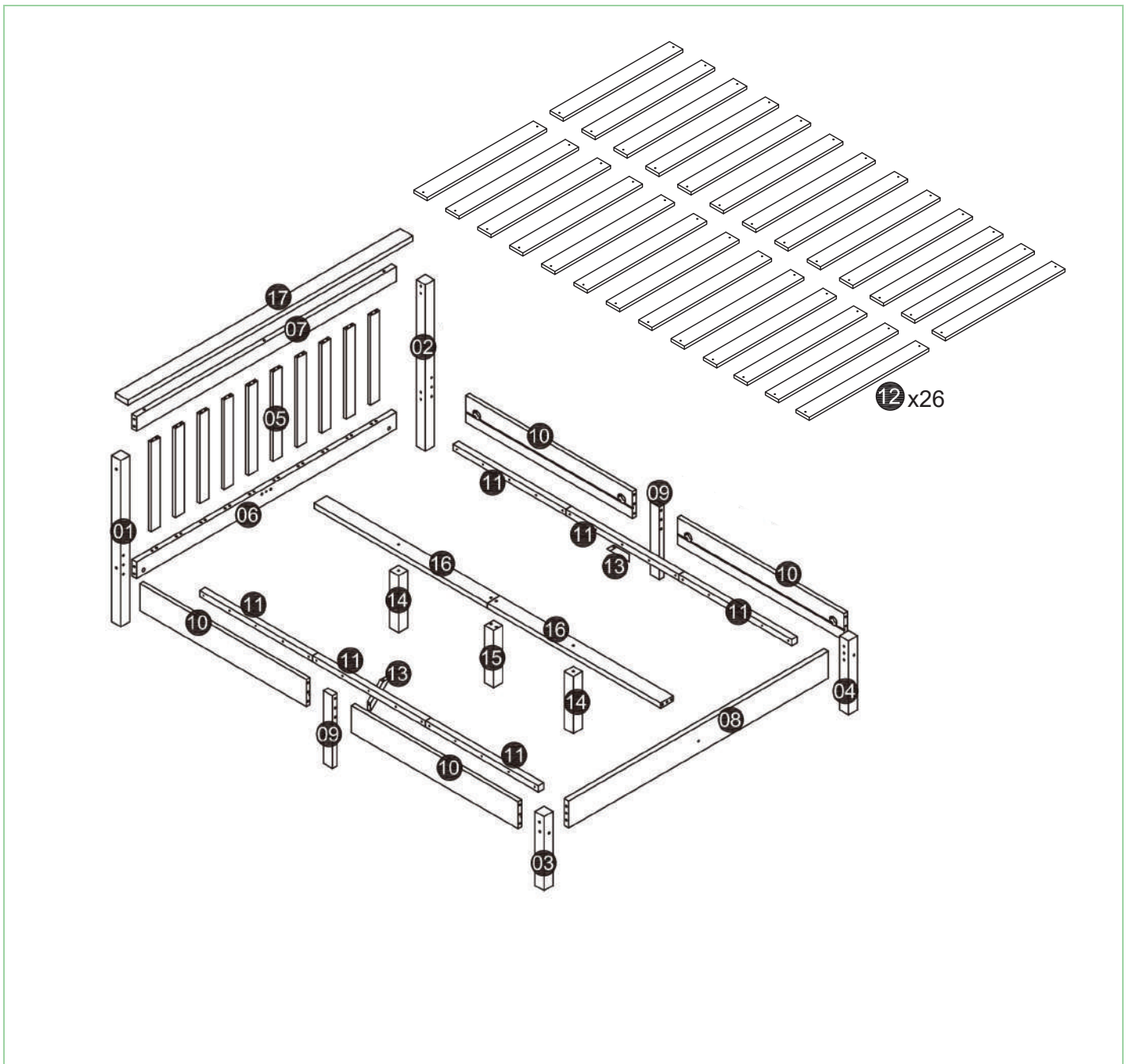
Components - Panels

Please check that you have all the components listed below before constructing your item.

Part No	Description	Qty	Size (mm)	Thickness (mm)
15	CENTRAL LEG	1	275x40	40
16	BED SUPPORT	2	955x80	18
17	HEADBOARD STRIP	1	1430x45	18

Exploded View

If you have damaged or missing components, email: aftersales@gpmfurniture.co.uk



Important – Please read these instructions fully before starting assembly



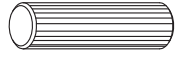
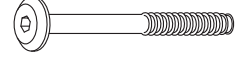
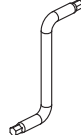
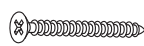
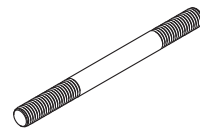
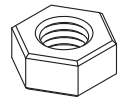
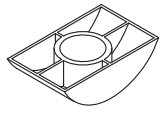
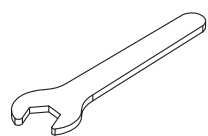
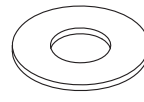
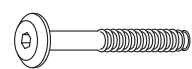

If you need help or have damaged or missing parts, please email aftersales@gpmfurniture.co.uk

Components - Fixings

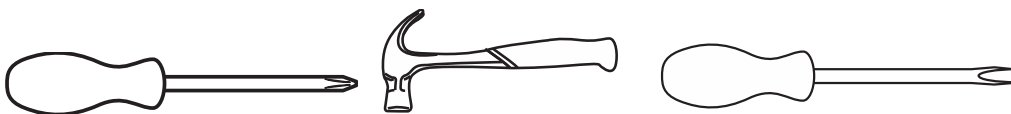
If you have damaged or missing components,
email: aftersales@gpmfurniture.co.uk

Please check that you have all the components listed below before constructing your item.

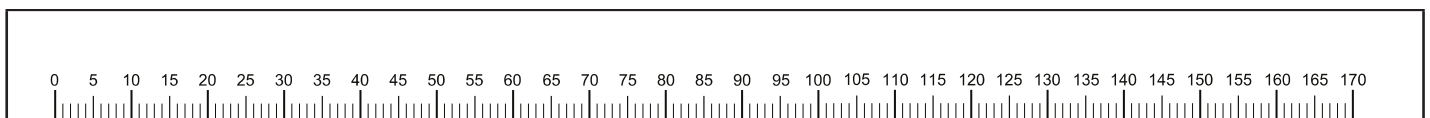
Note: The quantities below are the correct amount to complete the assembly. In some cases more fittings may be supplied than are required.

(A)	Bolt x10  M6 x80mm	(B)	Nut x6 	(C)	Wooden dowel x66  Ø8 x30mm	(D)	Screw x2  Ø6 x90mm
(E)	Allen key x1 	(F)	Screw x 86  Ø4 x30mm	(H)	Bolt bar x2 	(I)	Nut x8 
(J)	Half moon washer x8 	(K)	Spanner x1 	(L)	Washer x8 	(M)	Screw x3  Ø6 x55mm
(N)	Screw x 6 						

Tools Required



Ruler – Use this to measure your screws (mm)



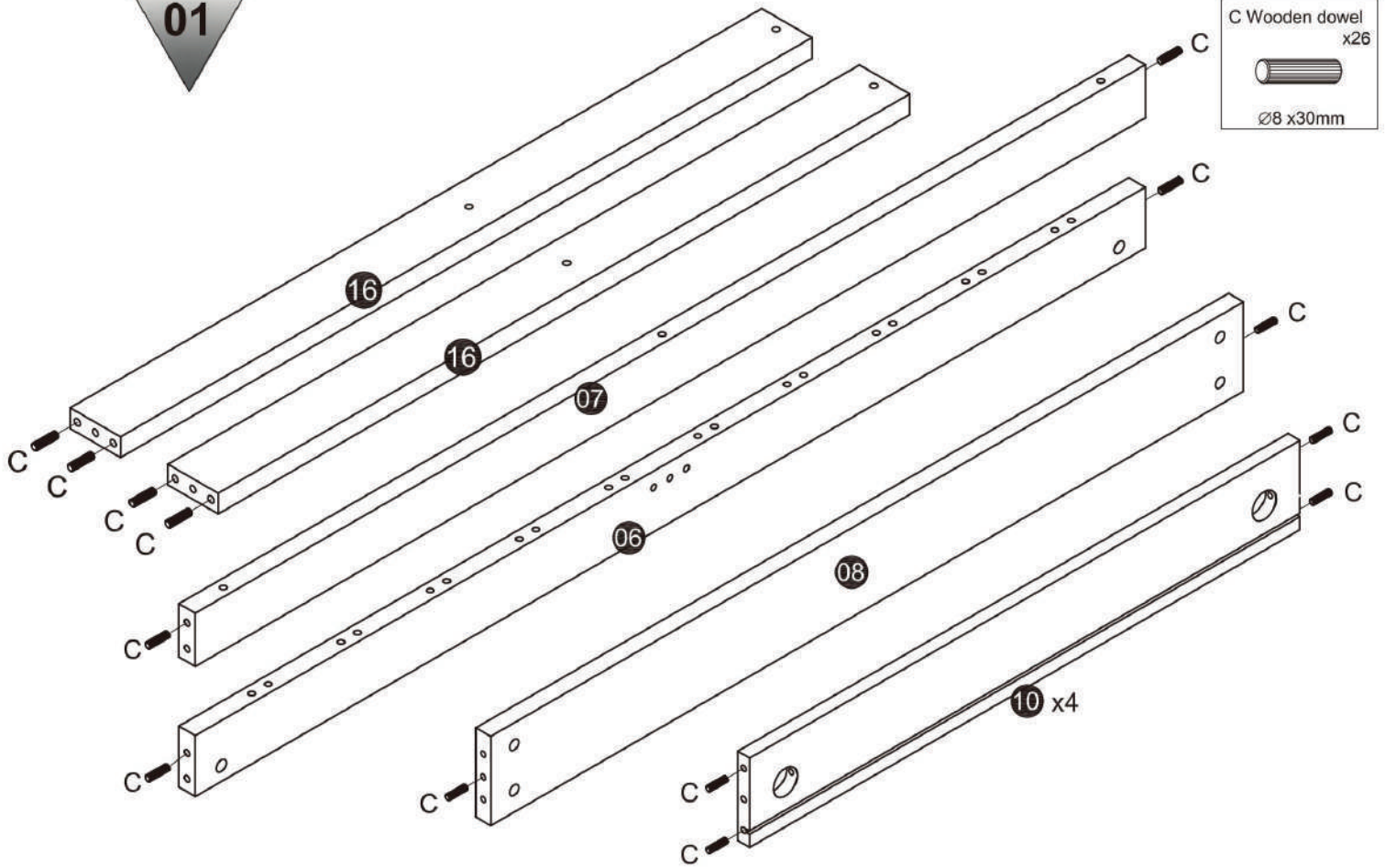
Important – Please read these instructions fully before starting assembly

If you need help or have damaged or missing parts, please email aftersales@gpmfurniture.co.uk

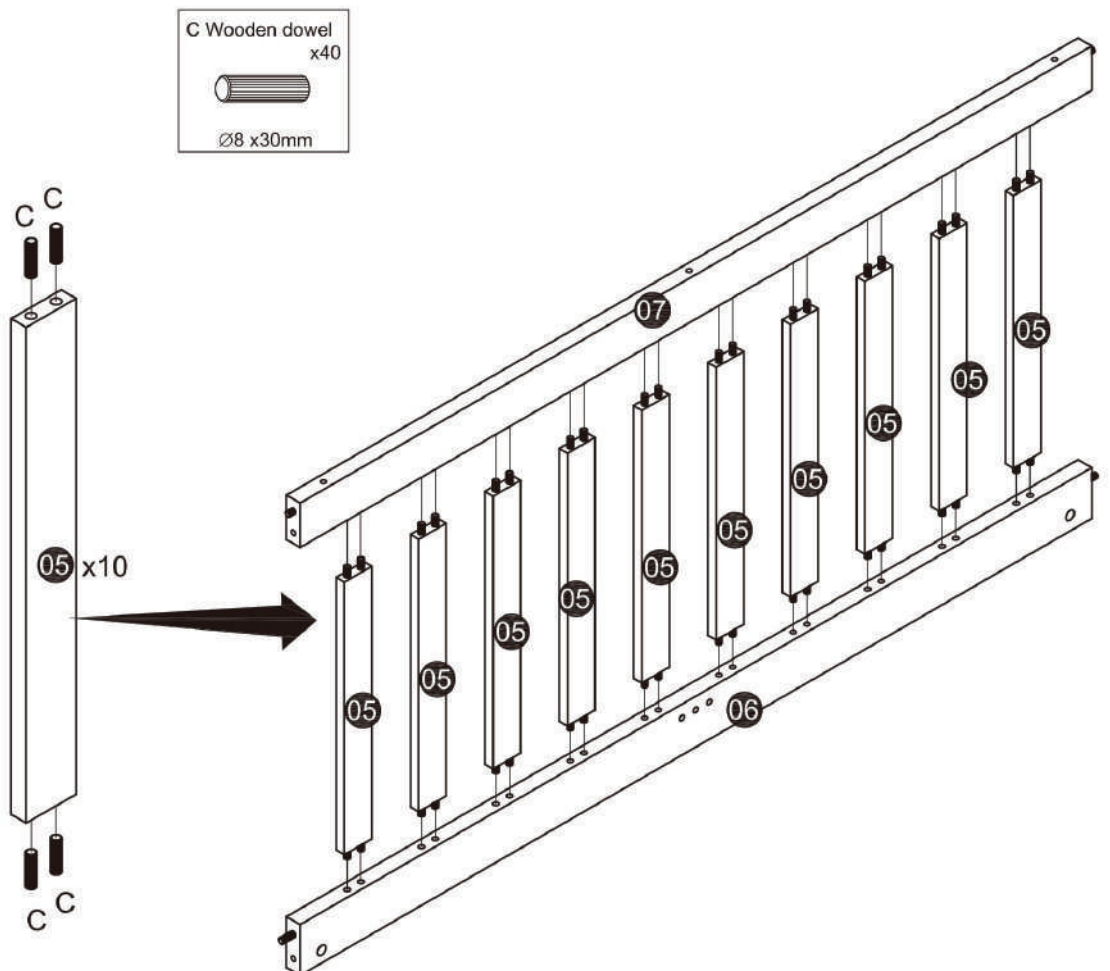
Assembly Instructions

If you have damaged or missing components,
email: aftersales@gpmfurniture.co.uk

01

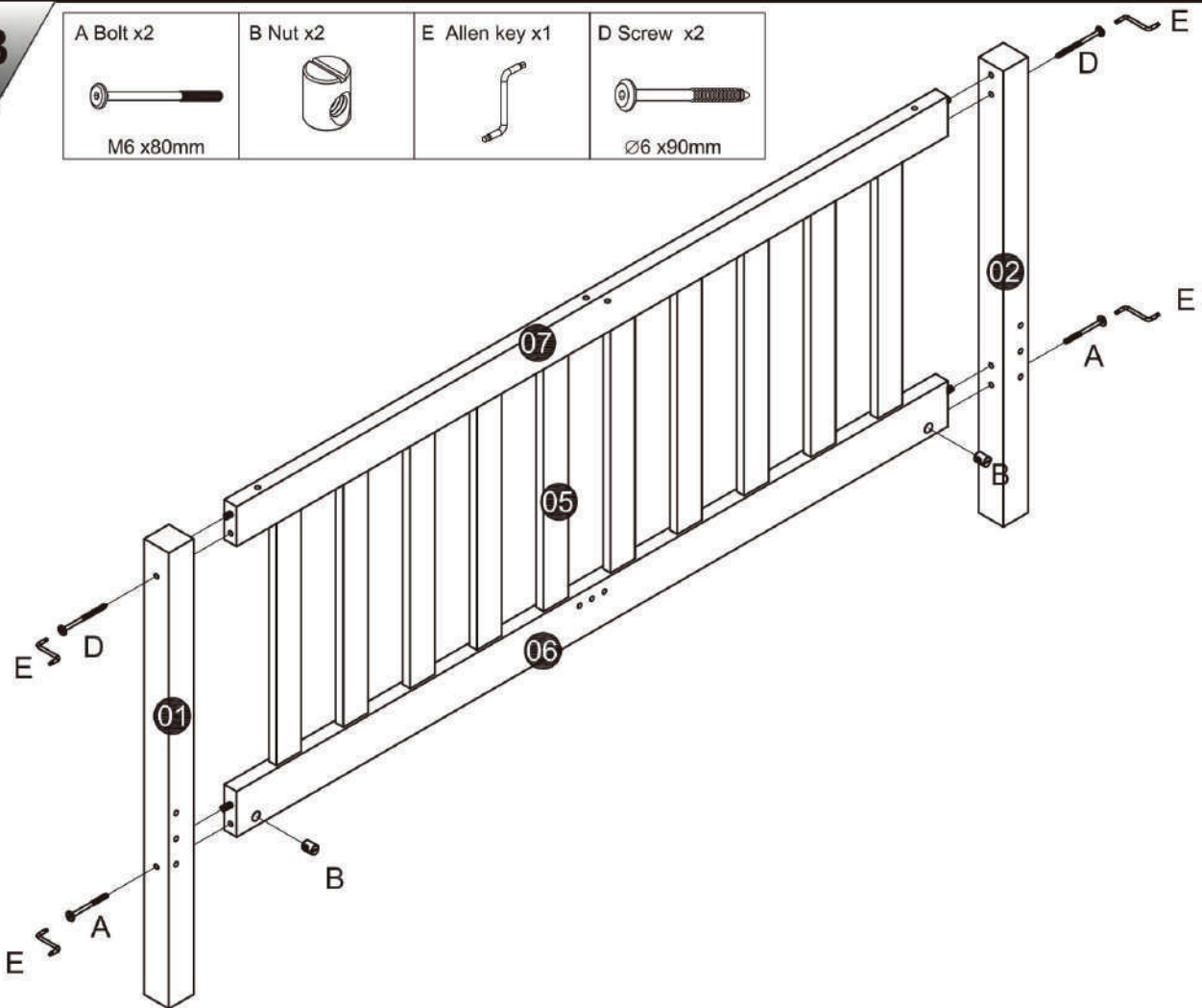


02



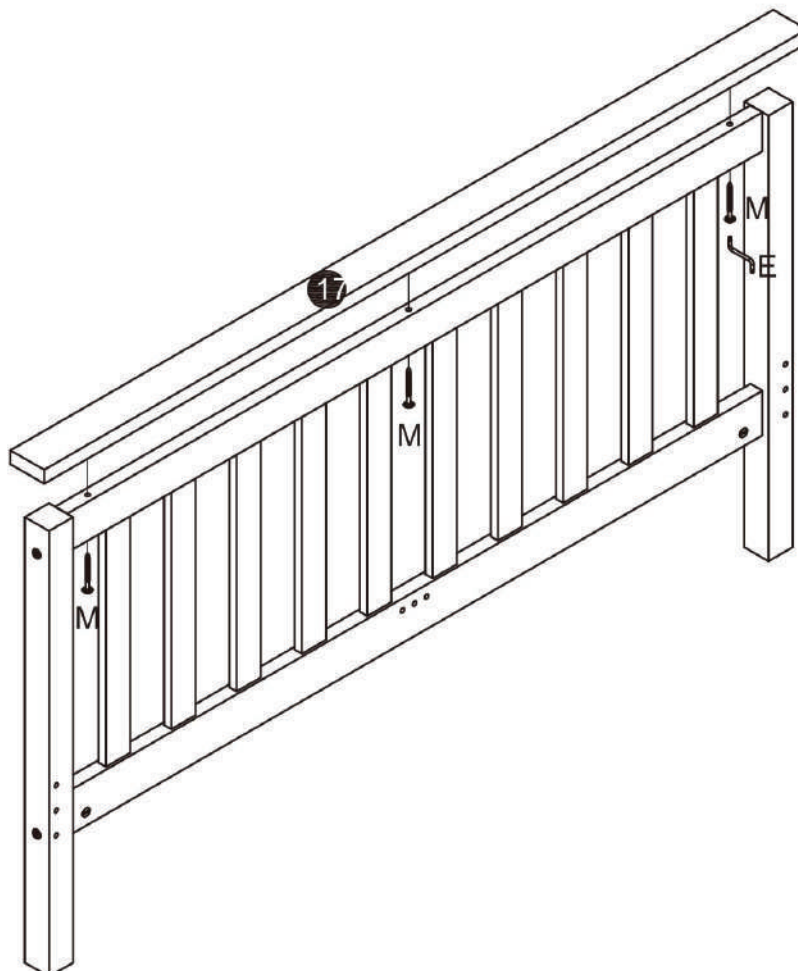
03

A Bolt x2 M6 x80mm	B Nut x2	E Allen key x1	D Screw x2 Ø6 x90mm
-----------------------	----------	----------------	------------------------






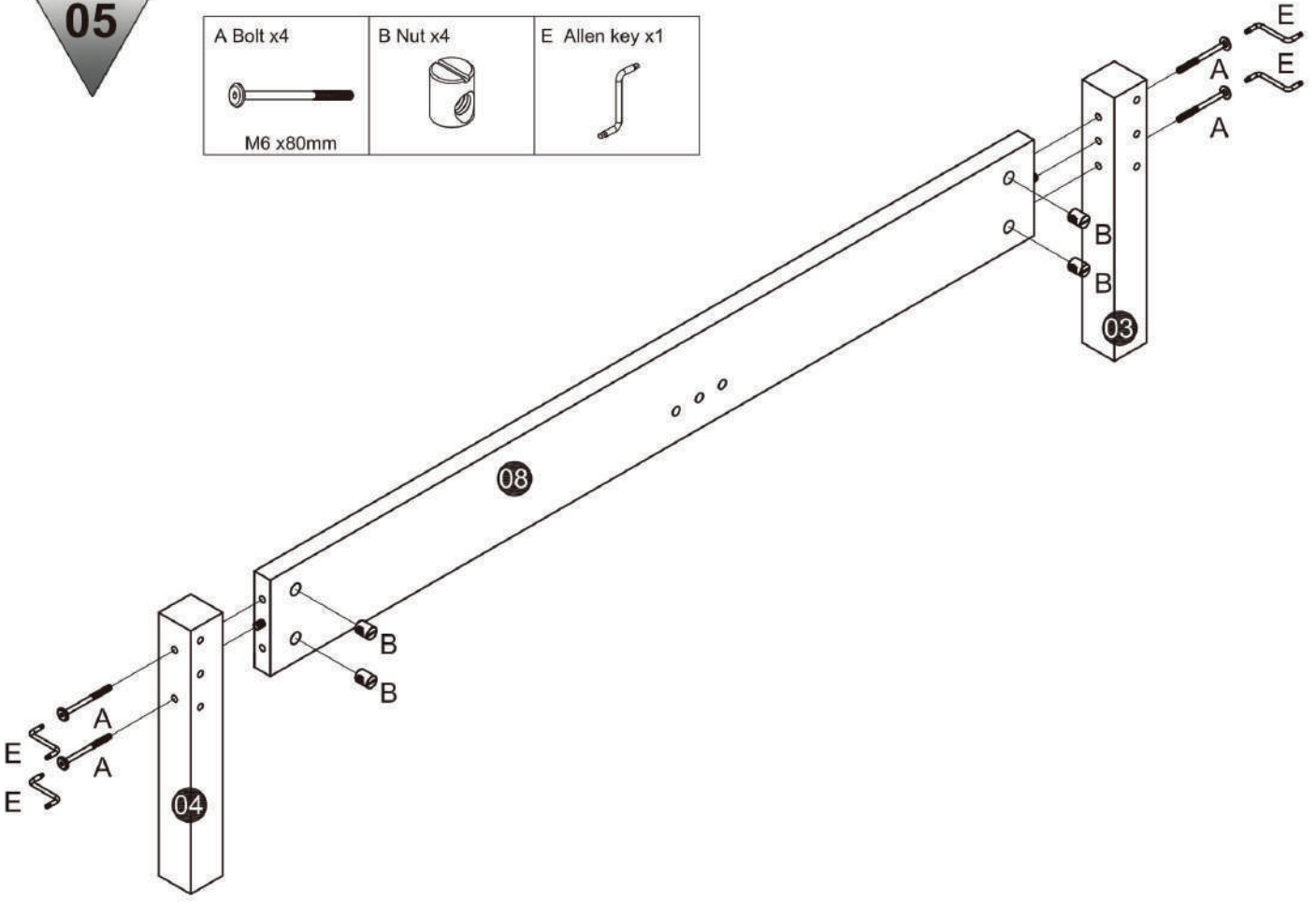
04

M Screw x3 Ø6 x55mm	E Allen key x1
------------------------	----------------








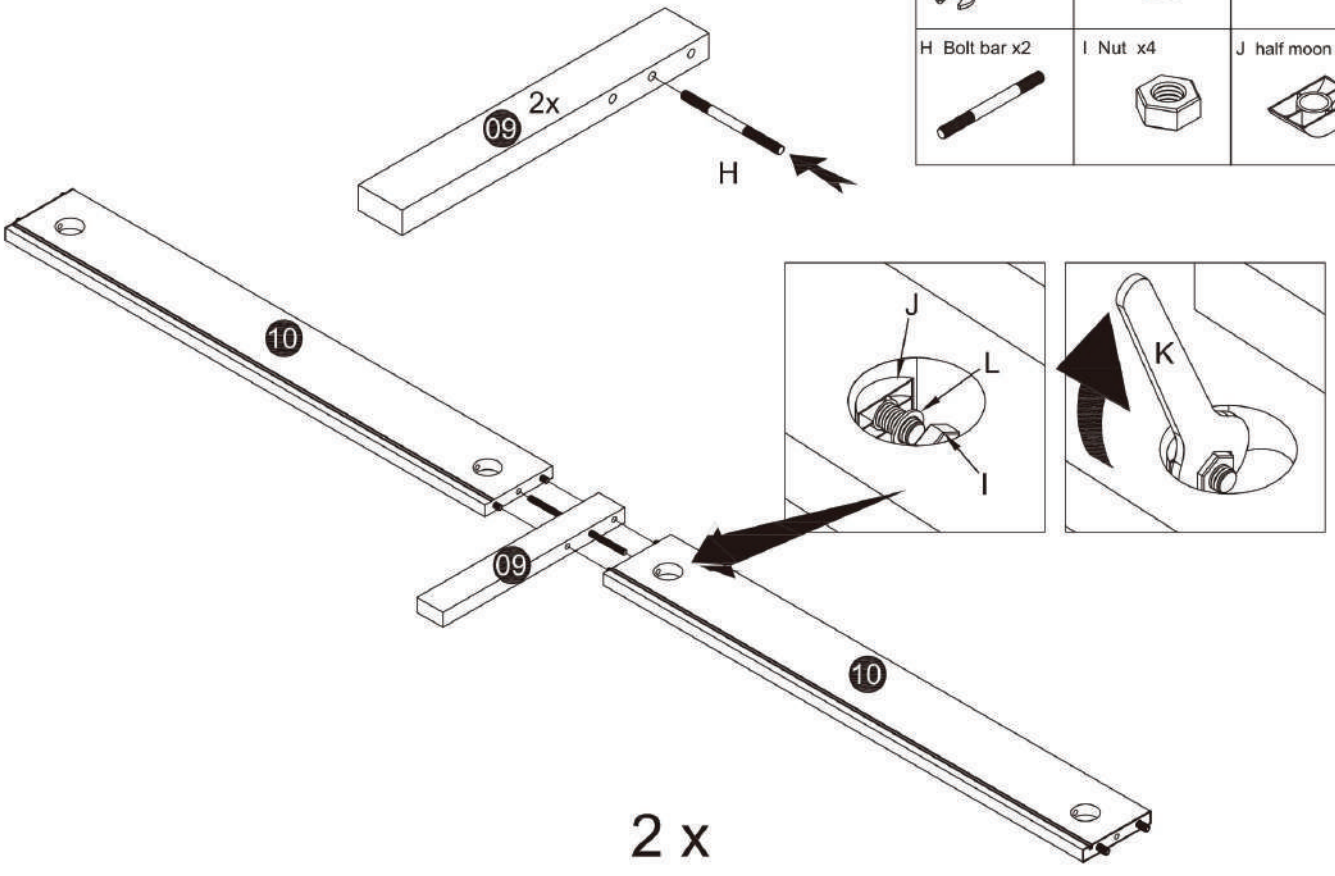
05

<p>A Bolt x4</p>  <p>M6 x80mm</p>	<p>B Nut x4</p> 	<p>E Allen key x1</p> 
--	---	---



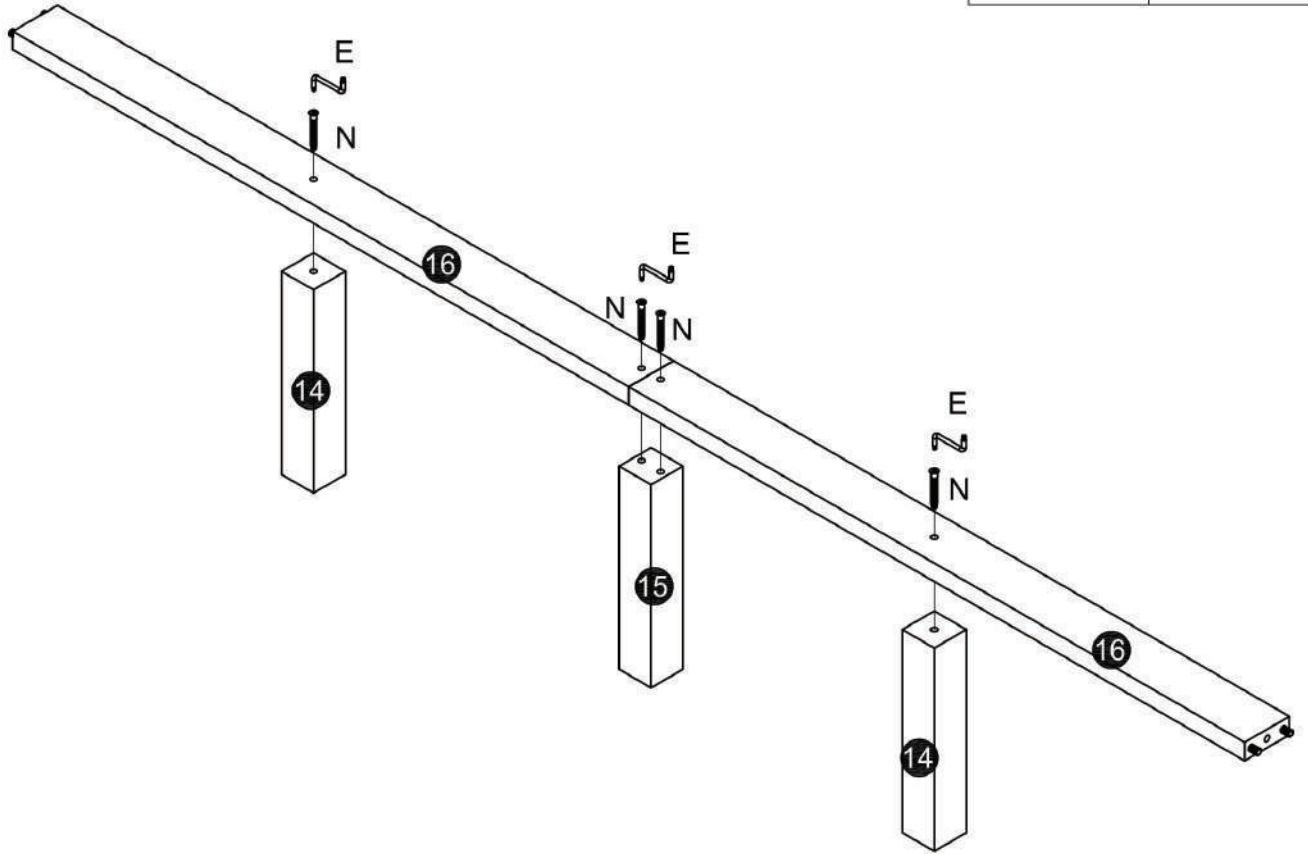
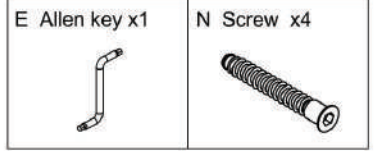
06

<p>K Spanner x1</p> 	<p>L Washer x4</p> 
<p>H Bolt bar x2</p> 	<p>I Nut x4</p>  <p>J half moon washer x4</p> 

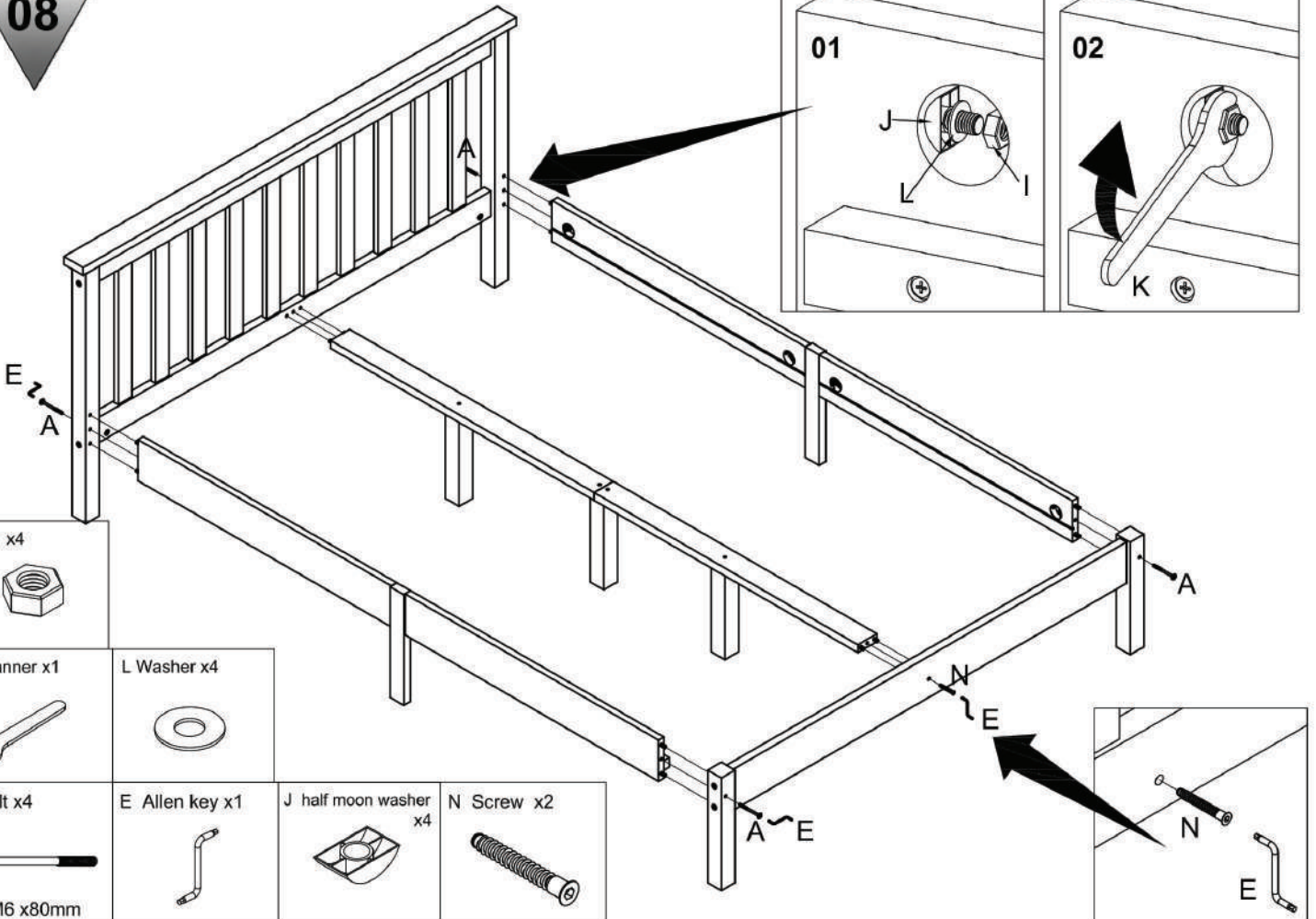
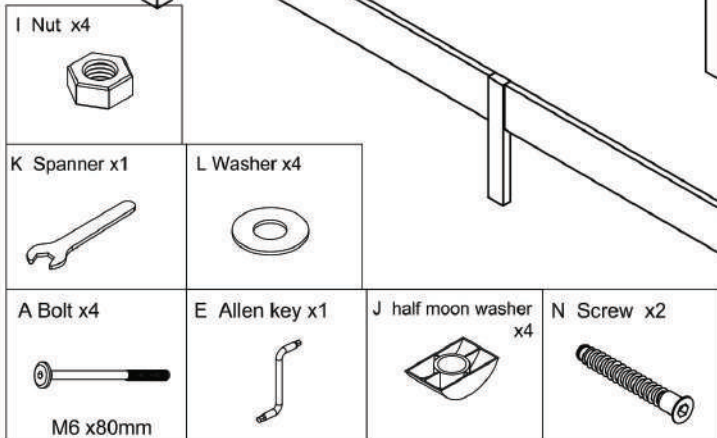
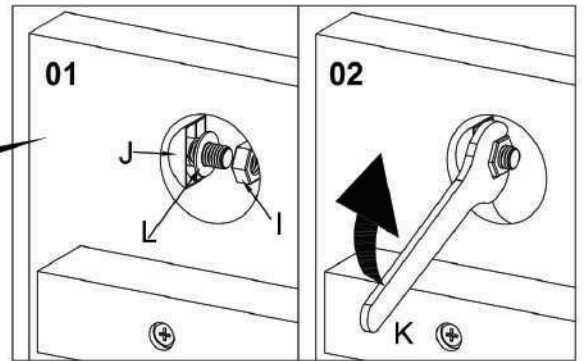


2 x

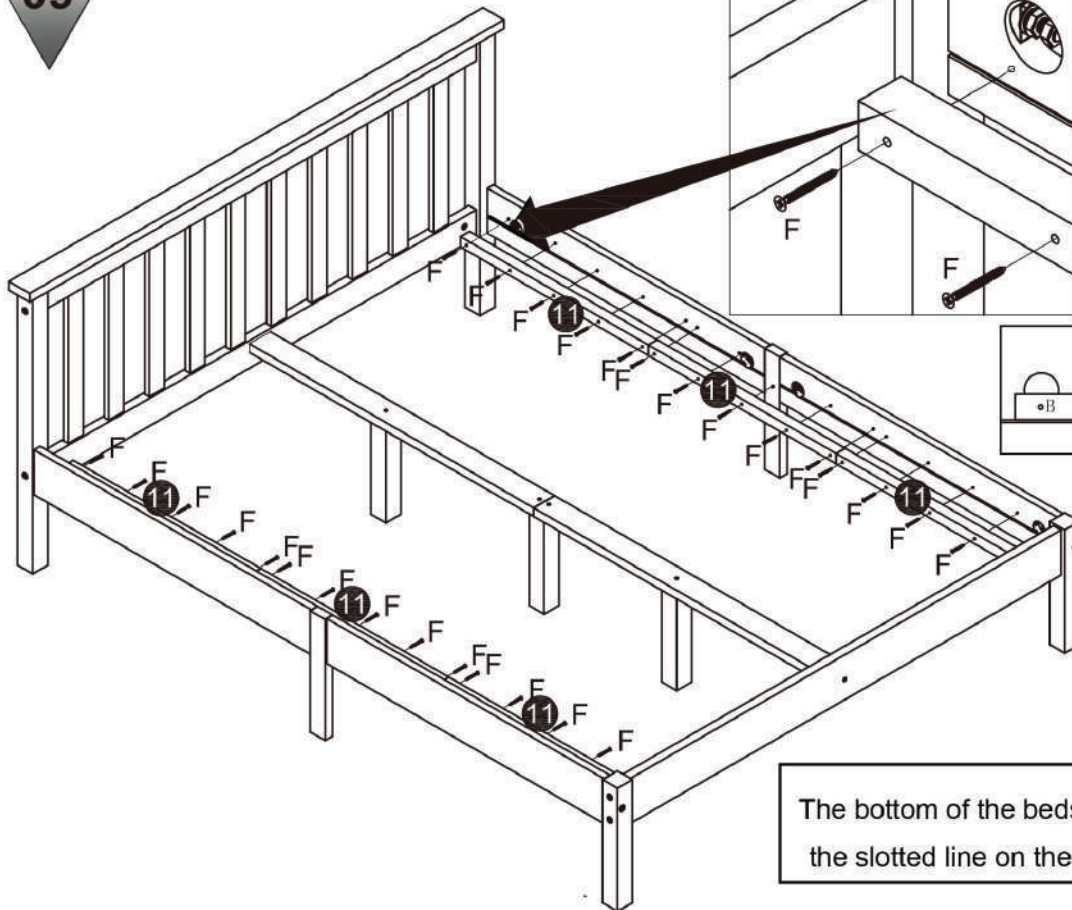
07



08



09



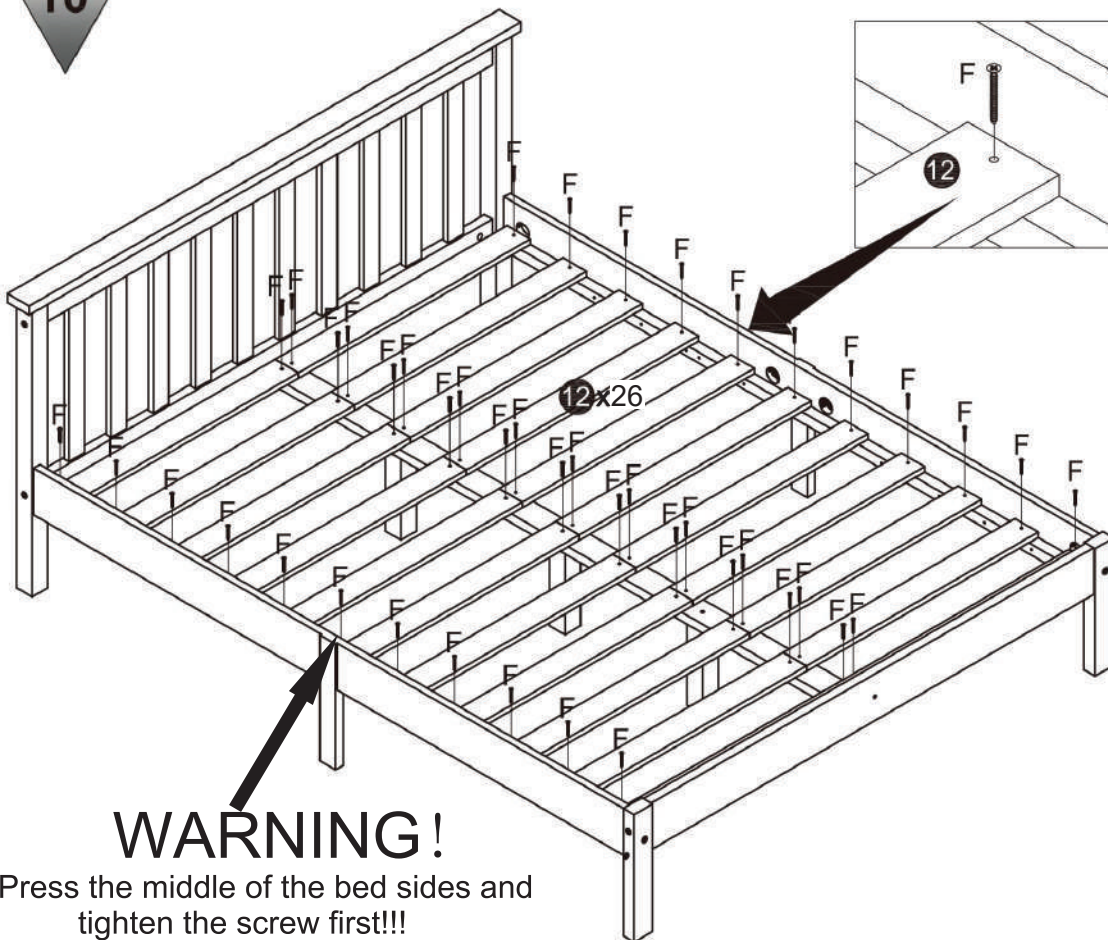
F Screw x30



Ø4 x30mm

The bottom of the bedside support is aligned with the slotted line on the inside of the bedside .

10



F Screw x52



Ø4 x30mm

WARNING!

Press the middle of the bed sides and tighten the screw first!!!

F Screw x4



Ø4 x30mm

