

# GOLBAL PROCUREMENT AND MARKETING LIMITED

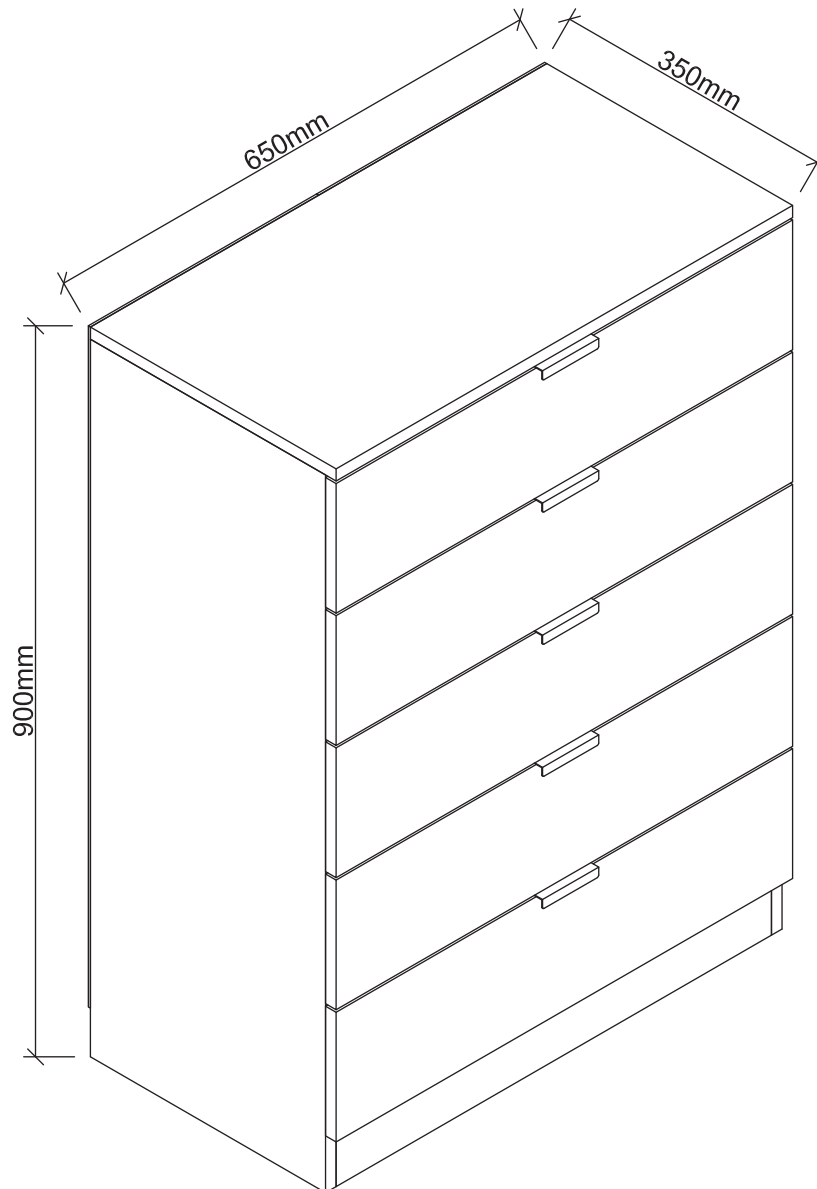
## PHOENIX 5 DRAWER CHEST


Assembly instruction- Please keep for future reference

CHTPHO5BK

CHTPHO5WT

CHTPHO5GY



Dimensions	No. People	Assembly Time	OW#
Width: 65 cm		60 mins (approx)	CHTPHO5BK
Depth: 35 cm			CHTPHO5WT
Height: 90 cm			CHTPHO5GY

*thank you*

For purchasing this  
**GPM Limited**  
product

**Important-Please read these instructions fully before starting assembly**

If you need help or have damaged or missing parts, please email [aftersales@gpmfurniture.co.uk](mailto:aftersales@gpmfurniture.co.uk)

# ⚠ Safety and Care Advice

Important-Please read these instructions fully before starting assembly

- Check you have all the components and tools listed on pages 2,3 and 4.
- Remove all fittings from the plastic bags and separate them into their groups.
- Keep children and animals away from the work area, small parts could choke if swallowed.
- Make sure you have enough space to lay out the parts before starting.
- Do not stand or put weight on the product, this could cause damage.
- Assemble the item as close to its final position (in the same room) as possible.
- Assemble on a soft, level surface to avoid damaging the unit or your floor.
- We do not recommend the use of power drill/drivers for inserting screw, as this could damage the unit. only use hand screwdrivers.
- Dispose of all packaging carefully and responsibly.

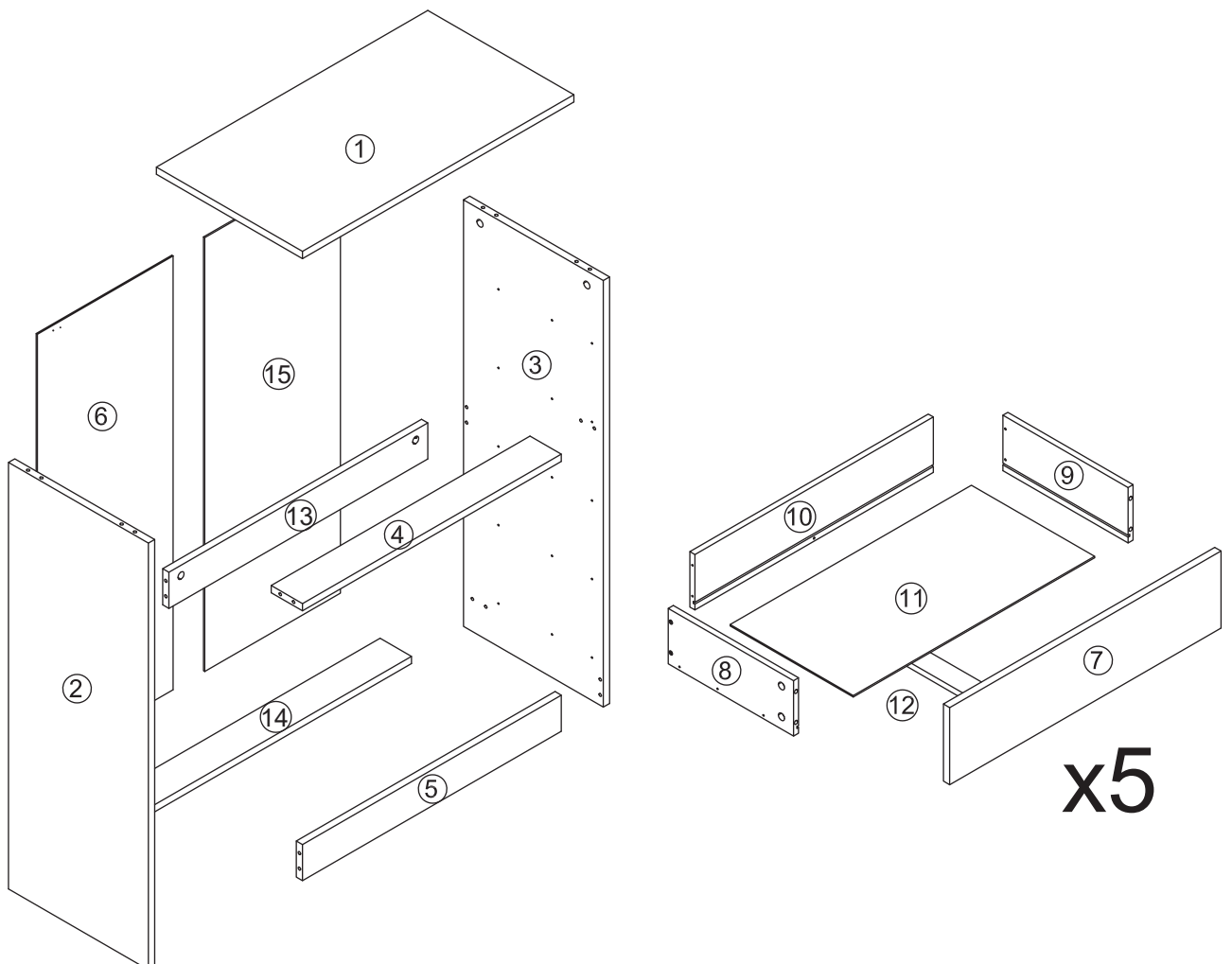


## Care and Maintenance

- Only clean using a damp cloth and mild detergent, do not use bleach or abrasive cleaners.
- From time to time check that there are no loose screws on this unit.
- This product should not be discarded with household waste. Take to your local authority waste disposal centre.

If you are unhappy with the product and wish to return it, please following the retailer's returns procedure.

## Components - Panels





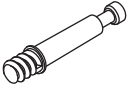


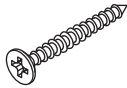



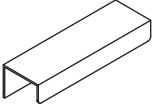
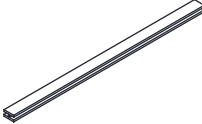




# Components - Fixings

If you have damaged or missing components,  
email: [aftersales@gpmfurniture.co.uk](mailto:aftersales@gpmfurniture.co.uk)


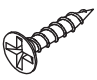
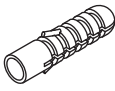
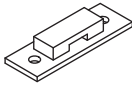
Please check that you have all the components listed below before constructing your item.

**Note:** The quantities below are the correct amount to complete the assembly. In some cases more fittings may be supplied than are required.

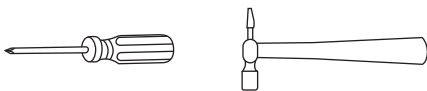
## HARDWARE

(A)  Cam Bolt M15x10mm X 41	(B)  Cam Lock M15x10mm X 41	(C)  Dowel M6x30mm X 8	(D)  M4x35mm X 29	(E)  M3x12mm X 70
(F)  Leg Pin X 4	(G)  Nail X 28	(H)  Handle X 5	(M)  Connection Stripe X 1	(CL)  Drawer Slide X 5
(CR)  Drawer Slide X 5	(DL)  Drawer Slide X 5	(DR)  Drawer Slide X 5		

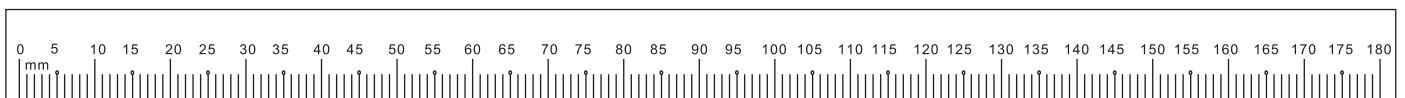
## ANTI - TIPPING KITS

(I)  Strap X 2	(J)  M3.5x14mm X 4	(K)  Wall Plug X 4	(L)  Bracket X 4
---	---	---	---

### Tools Required ( Not Provided )



### Ruler - Use this to measure your screws (mm)



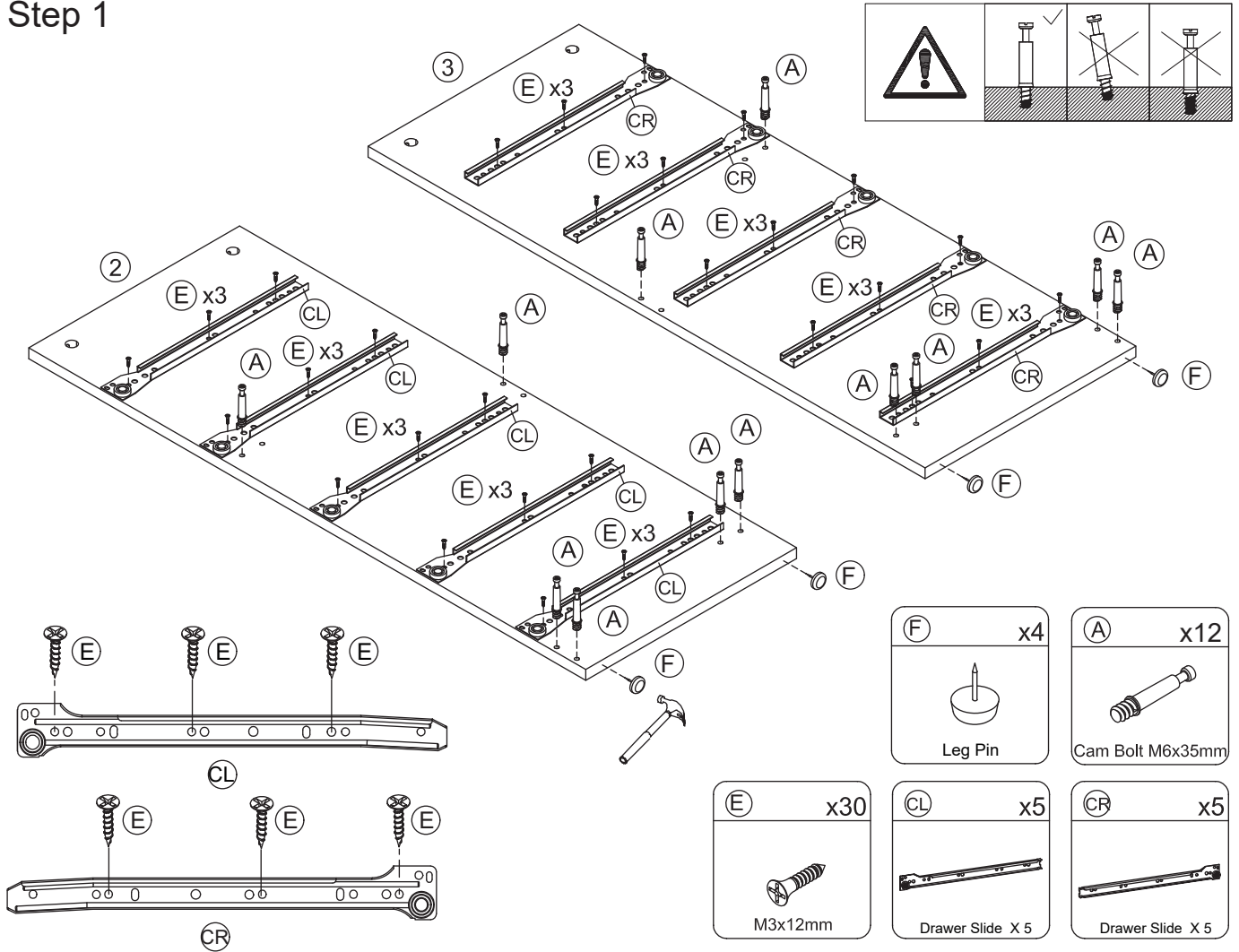
**Important-Please read these instructions fully before starting assembly**

If you need help or have damaged or missing parts, please email [aftersales@gpmfurniture.co.uk](mailto:aftersales@gpmfurniture.co.uk)

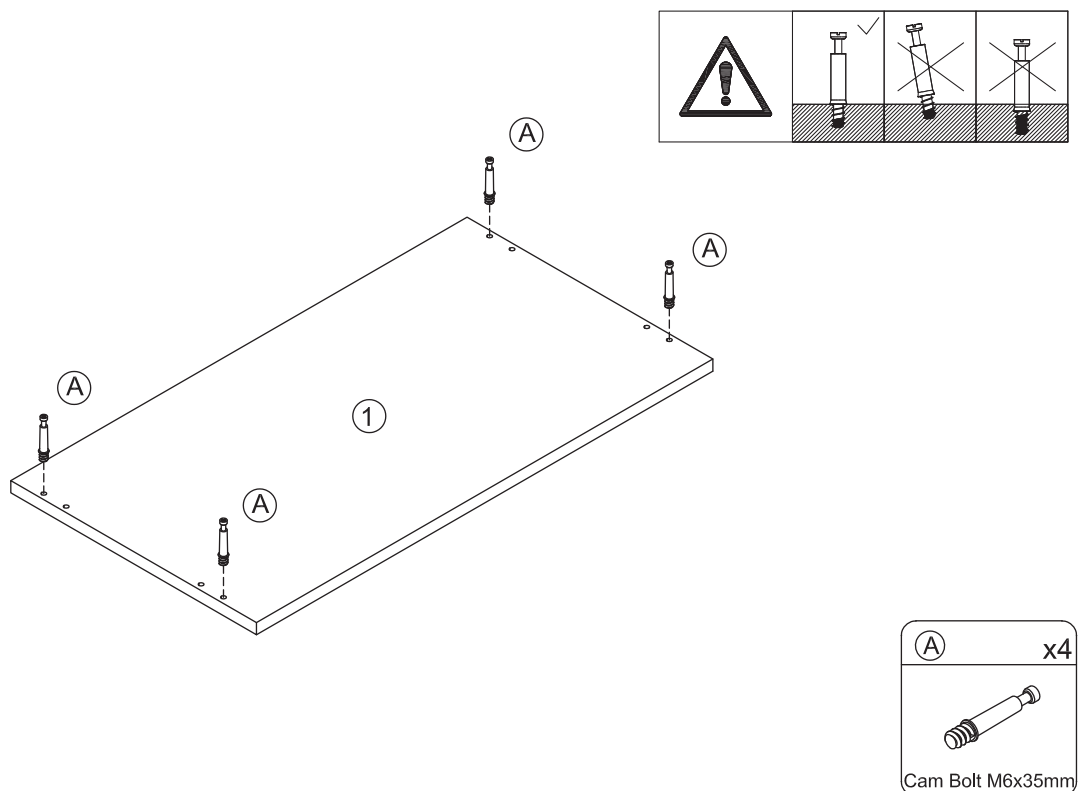
# Assembly Instructions

If you have damaged or missing components,  
email: [aftersales@gpmfurniture.co.uk](mailto:aftersales@gpmfurniture.co.uk)

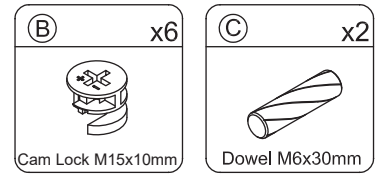
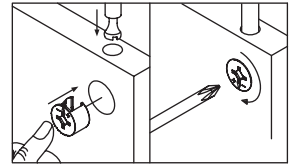
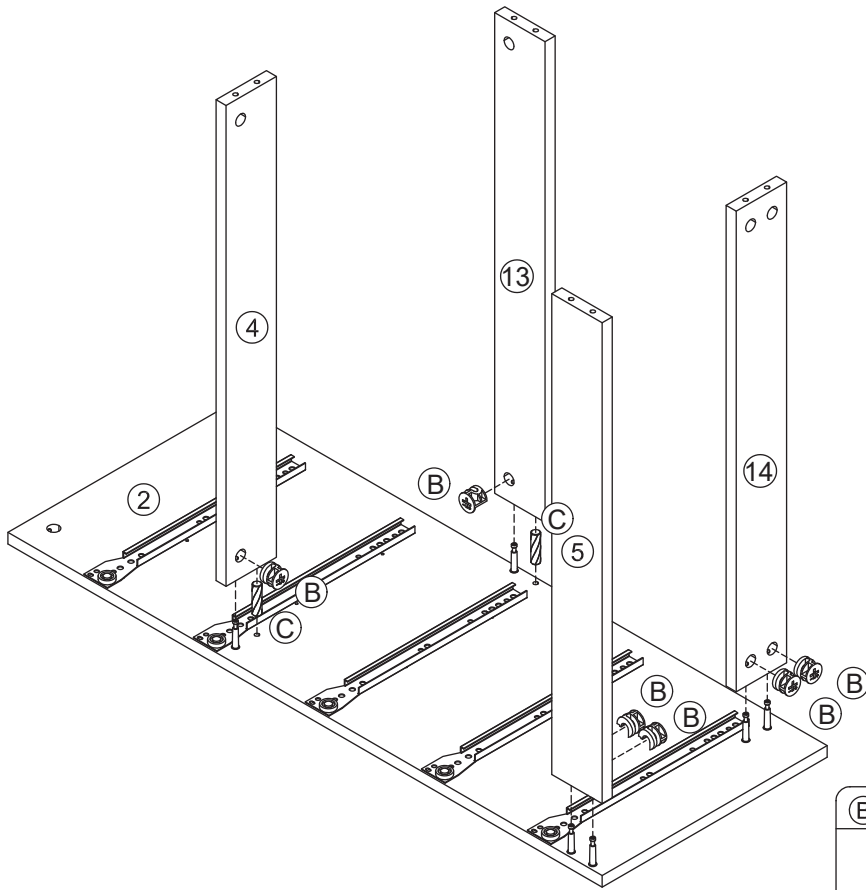
## Step 1



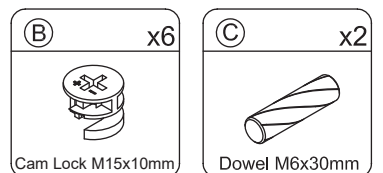
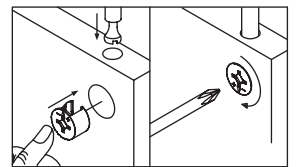
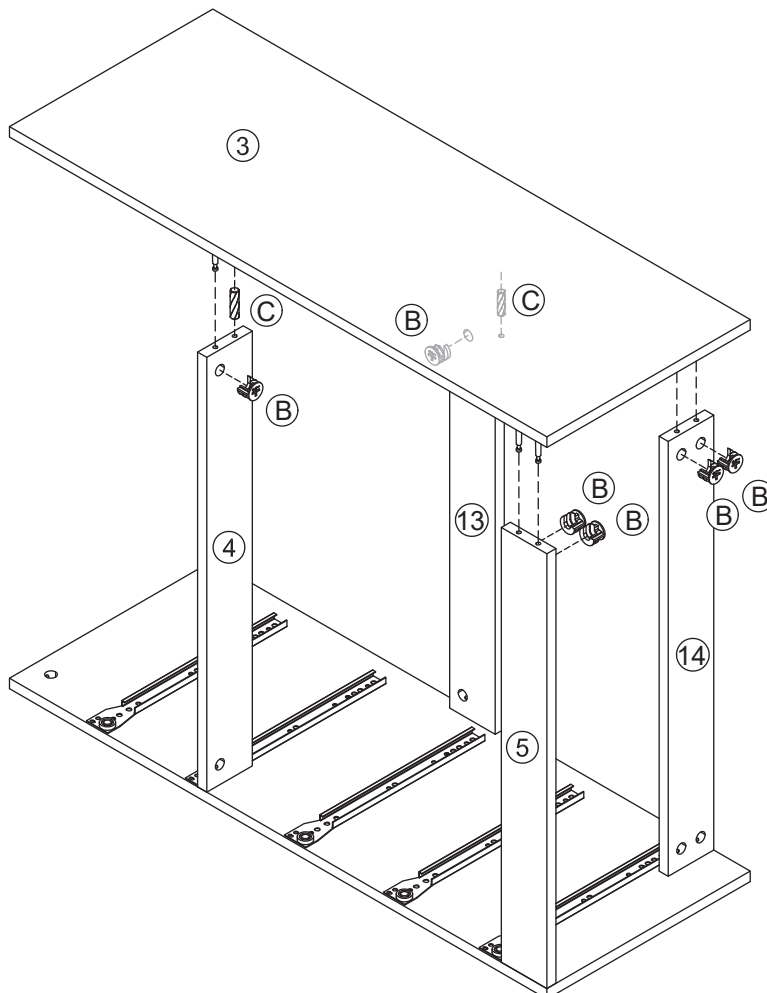
## Step 2



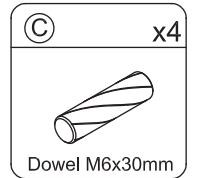
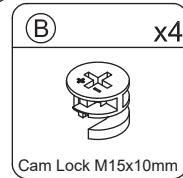
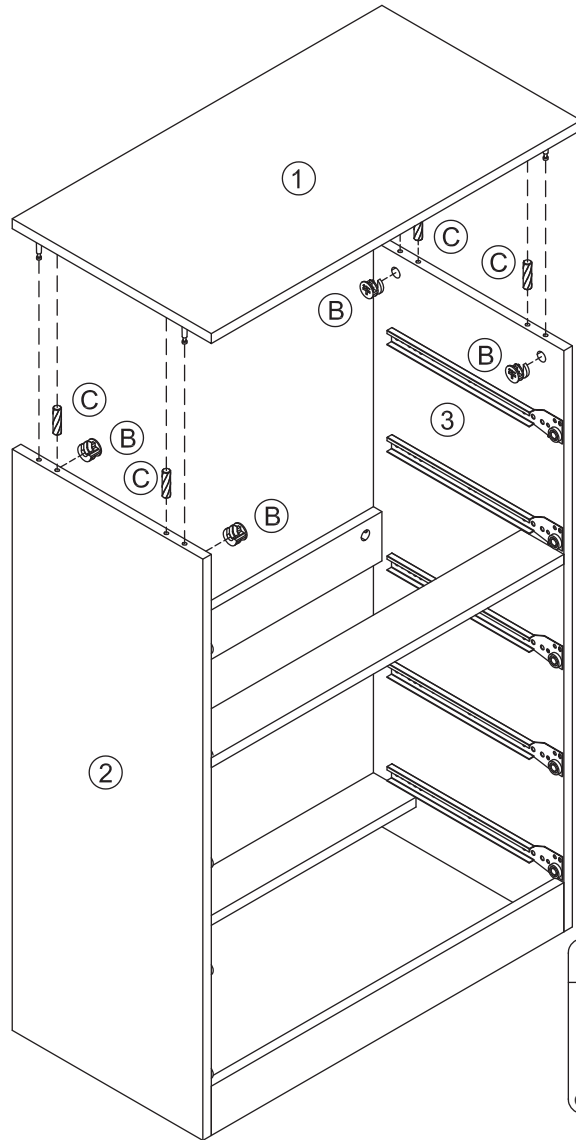
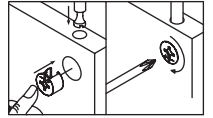
### Step 3



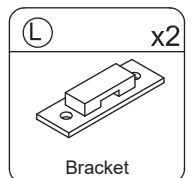
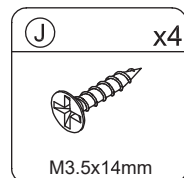
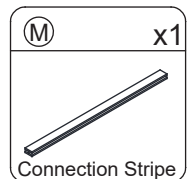
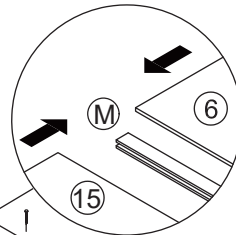
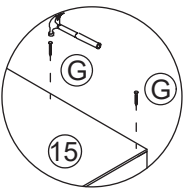
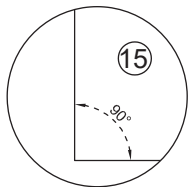
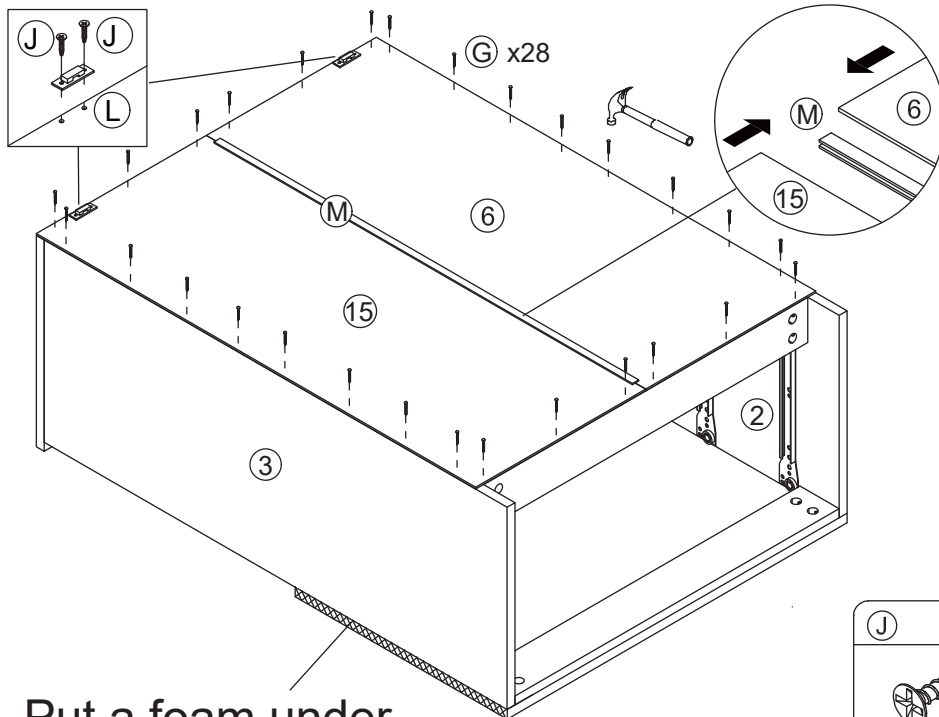
### Step 4



# Step 5

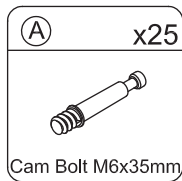
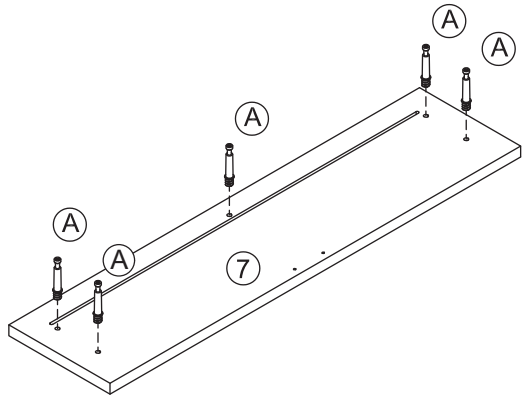
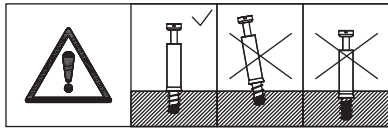


# Step 6

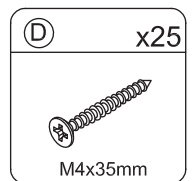
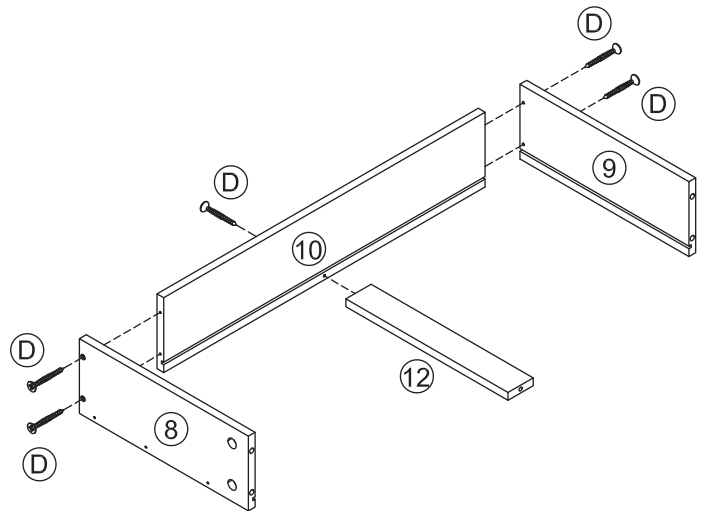
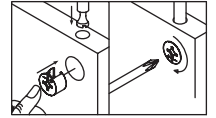


 Put a foam under

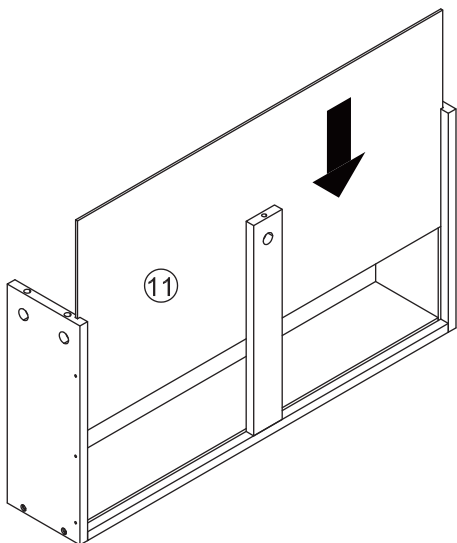
Step 7  
x5



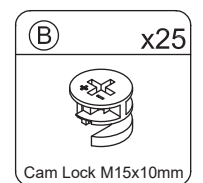
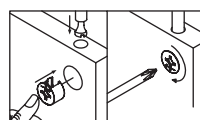
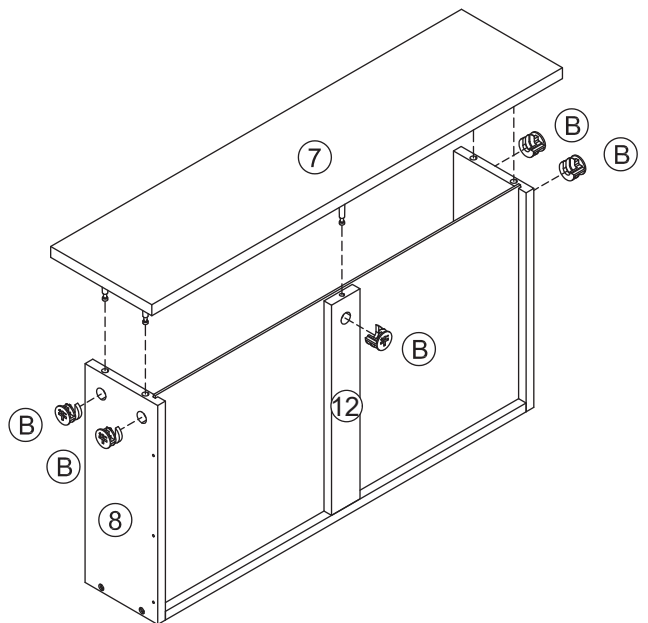
Step 8  
x5



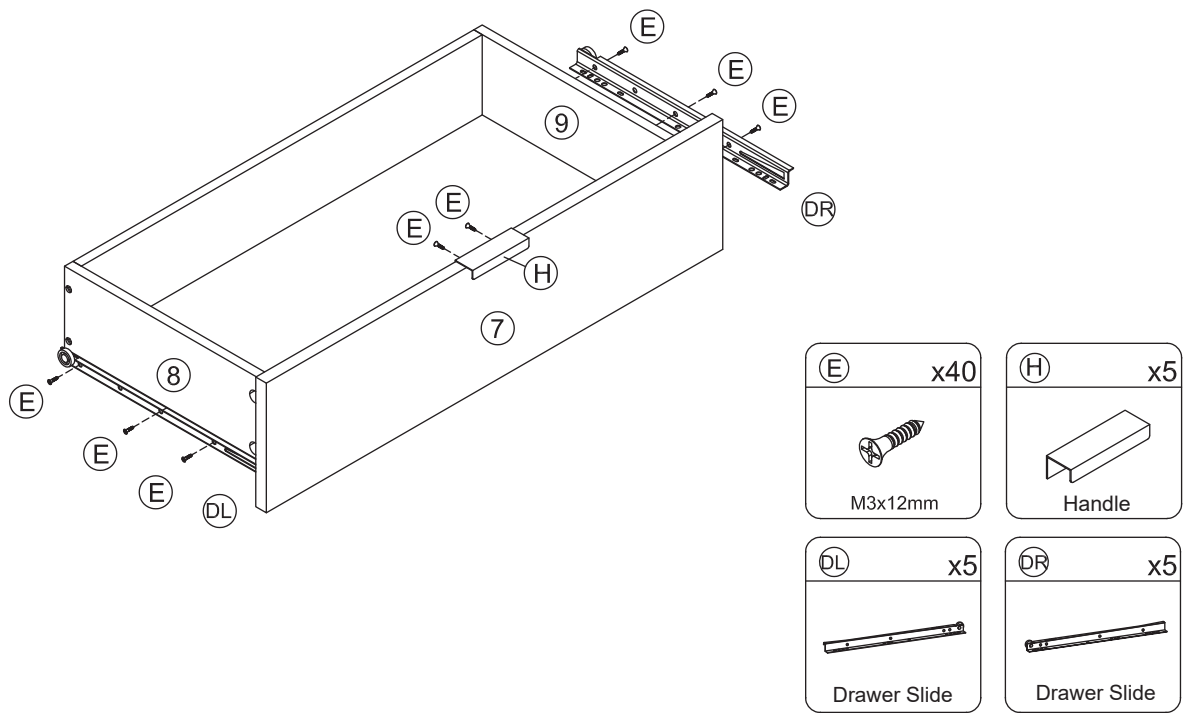
Step 9  
x5



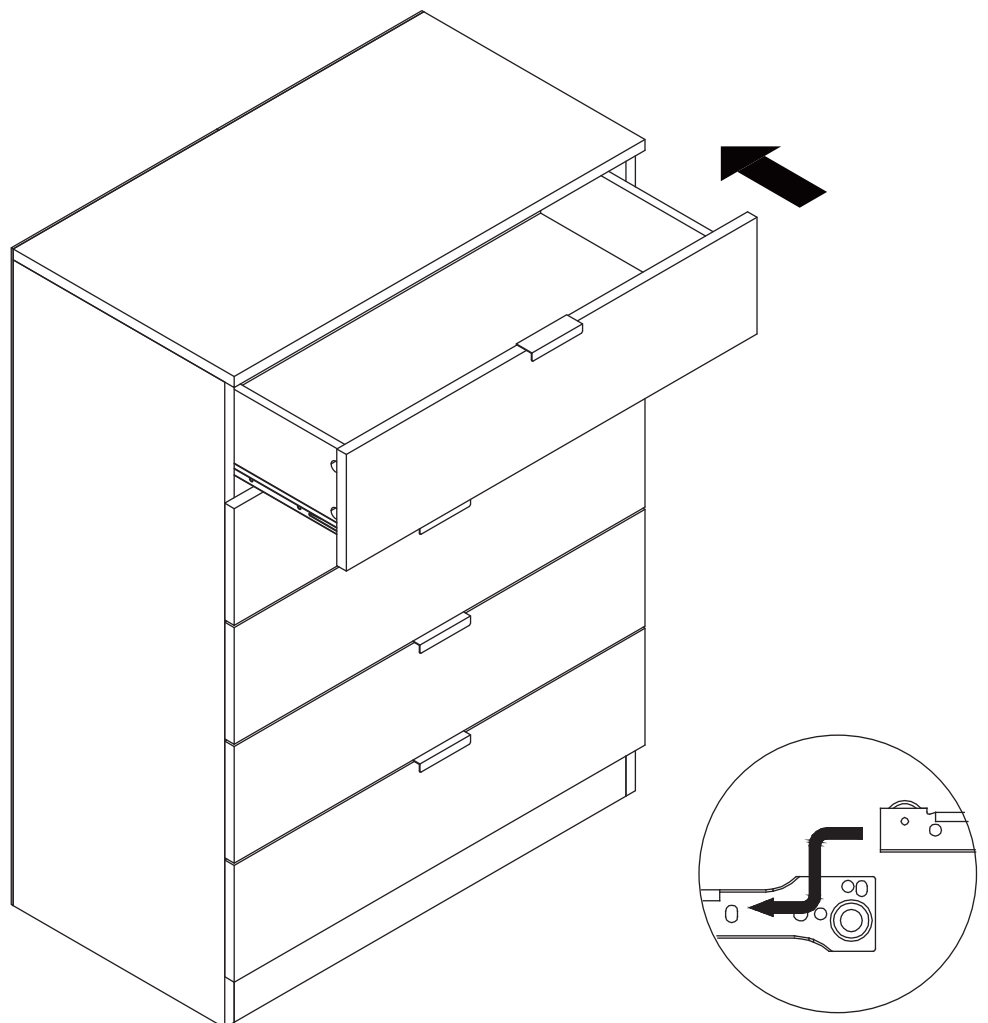
Step 10  
x5



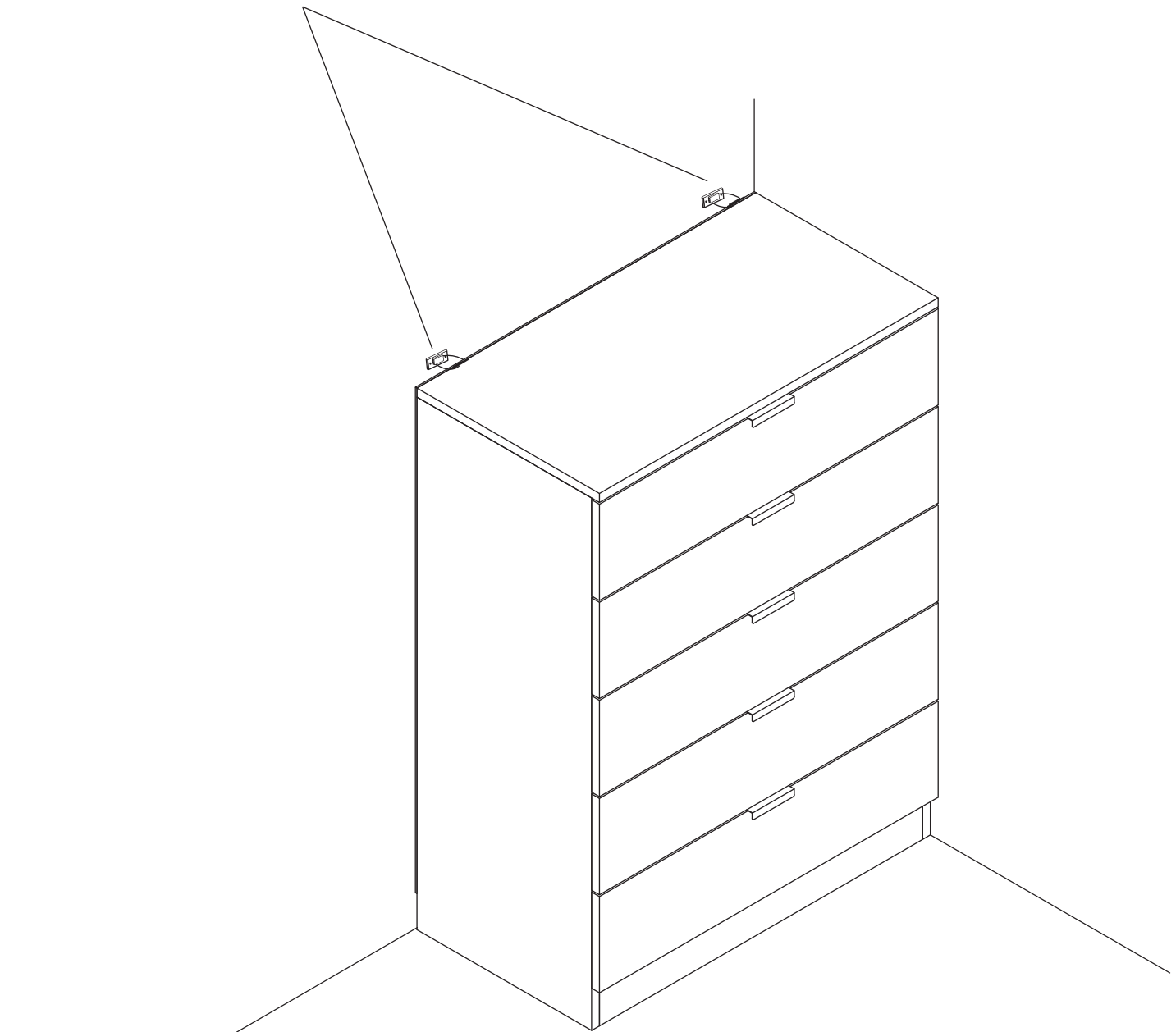
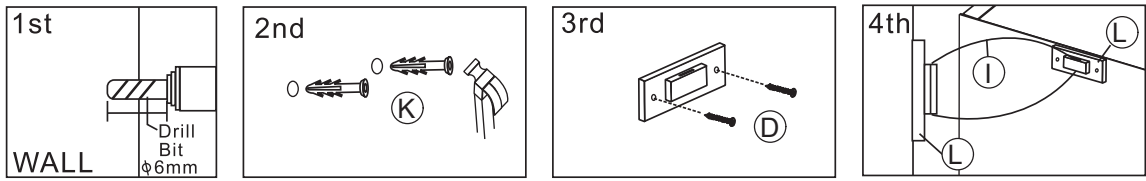
## Step 11



## Step 12



# Step 13



- |                       |                     |
|-----------------------|---------------------|
| <br>D x4<br>M4x35mm   | <br>I x2<br>Strap   |
| <br>K x4<br>Wall Plug | <br>L x2<br>Bracket |

Assembly complete