

GOLBAL PROCUREMENT AND MARKETING LIMITED

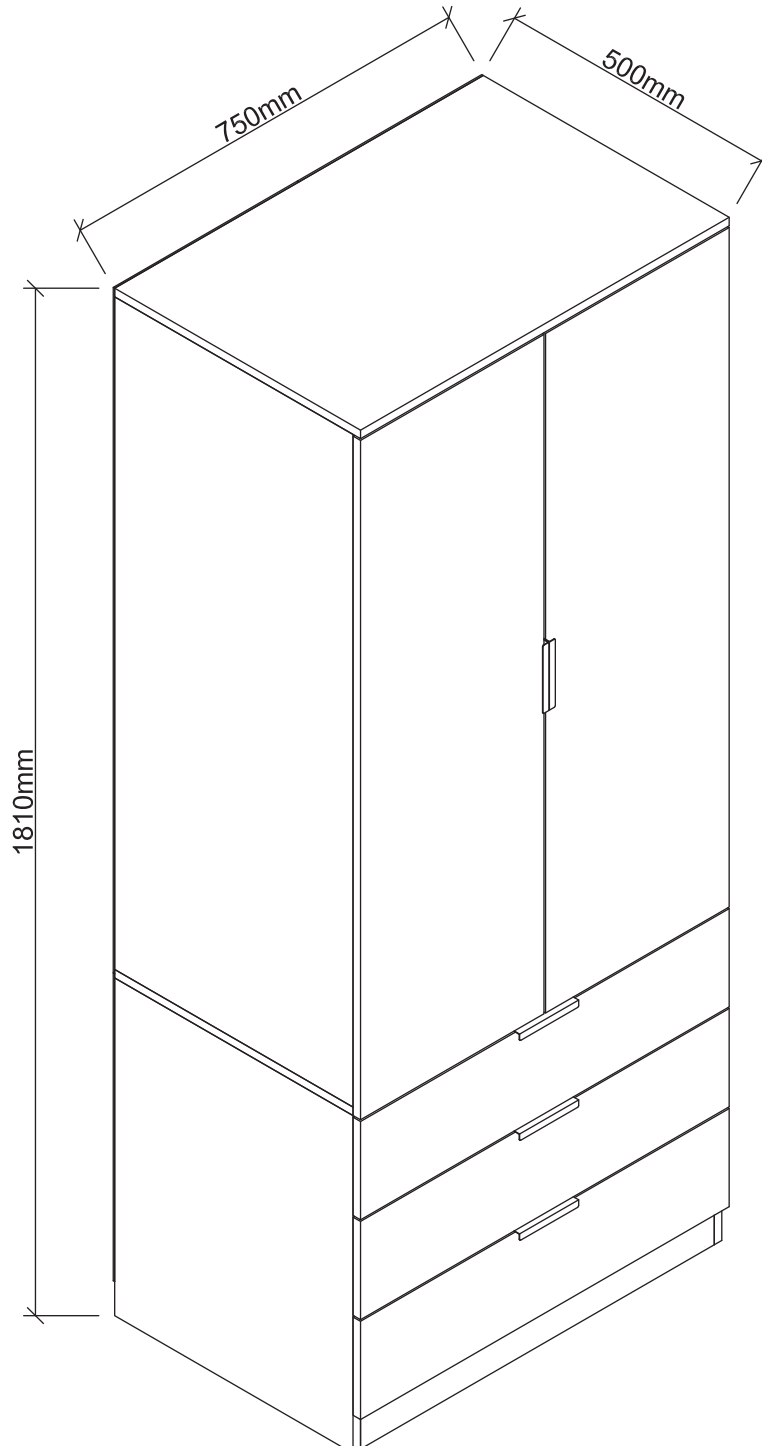
PHOENIX 3 DRAWER 2 DOOR WARDROBE


Assembly instruction- Please keep for future reference

ROBPHO2BK

ROBPHO2WT

ROBPHO2GY



Dimensions	No. People	Assembly Time	OW#
Width: 75 cm Depth: 50 cm Height: 181 cm		90 mins (approx)	ROBPHO2BK ROBPHO2WT ROBPHO2GY

thank you

For purchasing this
GPM Limited
product

Important-Please read these instructions fully before starting assembly

If you need help or have damaged or missing parts, please email aftersales@gpmfurniture.co.uk

⚠ Safety and Care Advice

Important-Please read these instructions fully before starting assembly

- Check you have all the components and tools listed on pages 2,3 and 4.
- Remove all fittings from the plastic bags and separate them into their groups.
- Keep children and animals away from the work area, small parts could choke if swallowed.
- Make sure you have enough space to lay out the parts before starting.
- Do not stand or put weight on the product, this could cause damage.
- Assemble the item as close to its final position (in the same room) as possible.
- Assemble on a soft, level surface to avoid damaging the unit or your floor.

- We do not recommend the use of power drill/drivers for inserting screw, as this could damage the unit. only use hand screwdrivers.
- Dispose of all packaging carefully and responsibly.

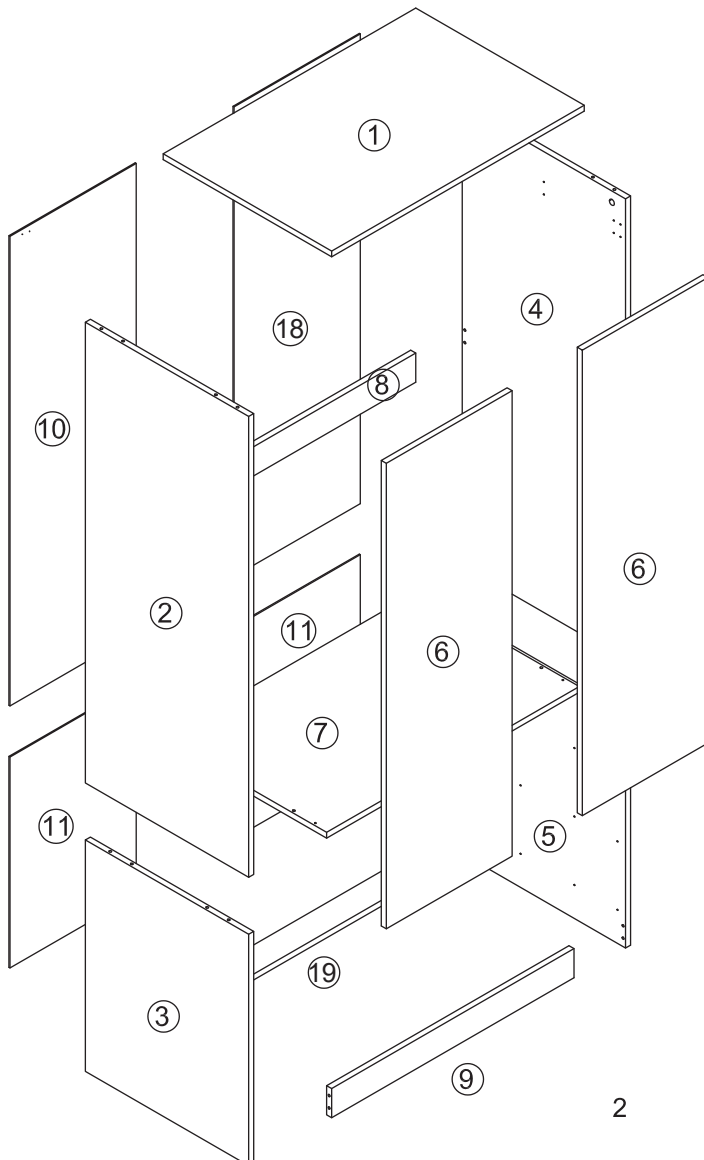


Care and Maintenance

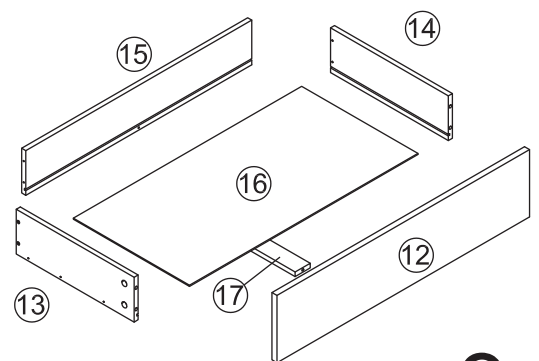
- Only clean using a damp cloth and mild detergent, do not use bleach or abrasive cleaners.
- From time to time check that there are no loose screws on this unit.
- This product should not be discarded with household waste. Take to your local authority waste disposal centre.

If you are unhappy with the product and wish to return it, please following the retailer's returns procedure.

Components - Panels



2



x3

Components - Panels

If you have damaged or missing components,
email: aftersales@gpmfurniture.co.uk

Please check that you have all the components listed below before constructing your item.

Part No	Description	Qty	Thickness (mm)
1	Top Panel	1	15 mm
2	Upper Left Side Panel	1	15 mm
3	Lower Left Side Panel	1	15 mm
4	Upper Right Side Panel	1	15 mm
5	Lower Right Side Panel	1	15 mm
6	Door	2	15 mm
7	Horizontal Panel	1	15 mm
8	Upper Back Support Panel	1	15 mm
9	Lower Front Panel	1	15 mm
10	Back Panel	1	3 mm
11	Back Panel	2	3 mm
12	Drawer Front Panel	3	15 mm
13	Drawer Left Side Panel	3	15 mm
14	Drawer Right Side Panel	3	15 mm
15	Drawer Back Panel	3	15 mm
16	Drawer Bottom Panel	3	3 mm
17	Drawer Support Panel	3	15 mm
18	Back Panel	1	3 mm
19	Lower Back Support Panel	1	15 mm

Important-Please read these instructions fully before starting assembly

If you need help or have damaged or missing parts, please email aftersales@gpmfurniture.co.uk

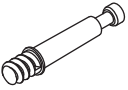


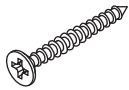



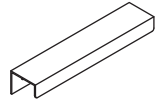
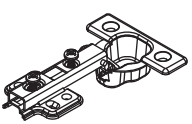
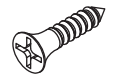
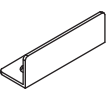




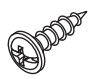
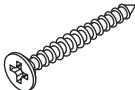
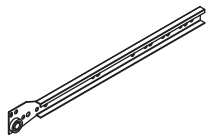
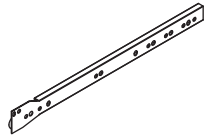
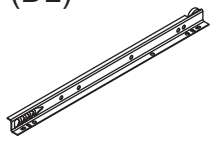
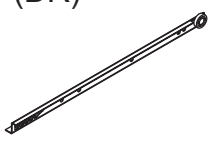
Components - Fixings

If you have damaged or missing components,
email: aftersales@gpmfurniture.co.uk


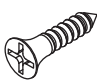
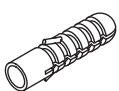
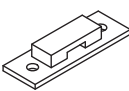
Please check that you have all the components listed below before constructing your item.

Note: The quantities below are the correct amount to complete the assembly. In some cases more fittings may be supplied than are required.

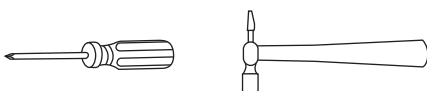
HARDWARE

(A)  Cam Bolt M6x35mm X 35	(B)  Cam Lock M15x10mm X 35	(C)  Dowel M6x30mm X 12	(D)  M4x35mm X 19	(E)  M3x12mm X 48	(F)  Leg Pin X 4
(G)  Nail X 48	(H)  Handle X 5	(I)  Hinges X 6	(J)  M3.5x14mm X 40	(K)  Door Stopper X 1	(L)  Hanger Bracket X 2
(M)  Hanger Rod x1	(N)  Lower Connection Stripe X 1	(O)  Upper Connection Stripe X 1	(P)  Backboard screws M2.5x14mm X 6	(Q)  M4x40mm X 4	
(CL)  Drawer Slide X 3	(CR)  Drawer Slide X 3	(DL)  Drawer Slide X 3	(DR)  Drawer Slide X 3		

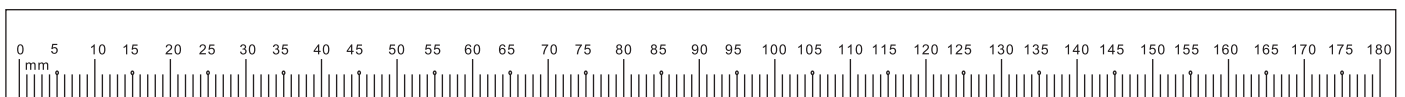
ANTI - TIPPING KITS

(S)  Strap X 2	(J)  M3.5x14mm X 4	(T)  Wall Plug X 4	(U)  Bracket X 4
---	---	---	---

Tools Required (Not Provided)



Ruler - Use this to measure your screws (mm)



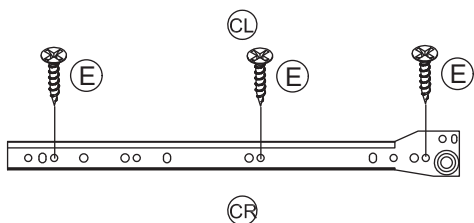
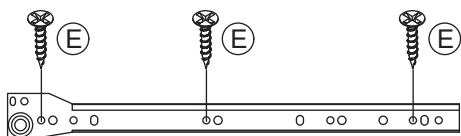
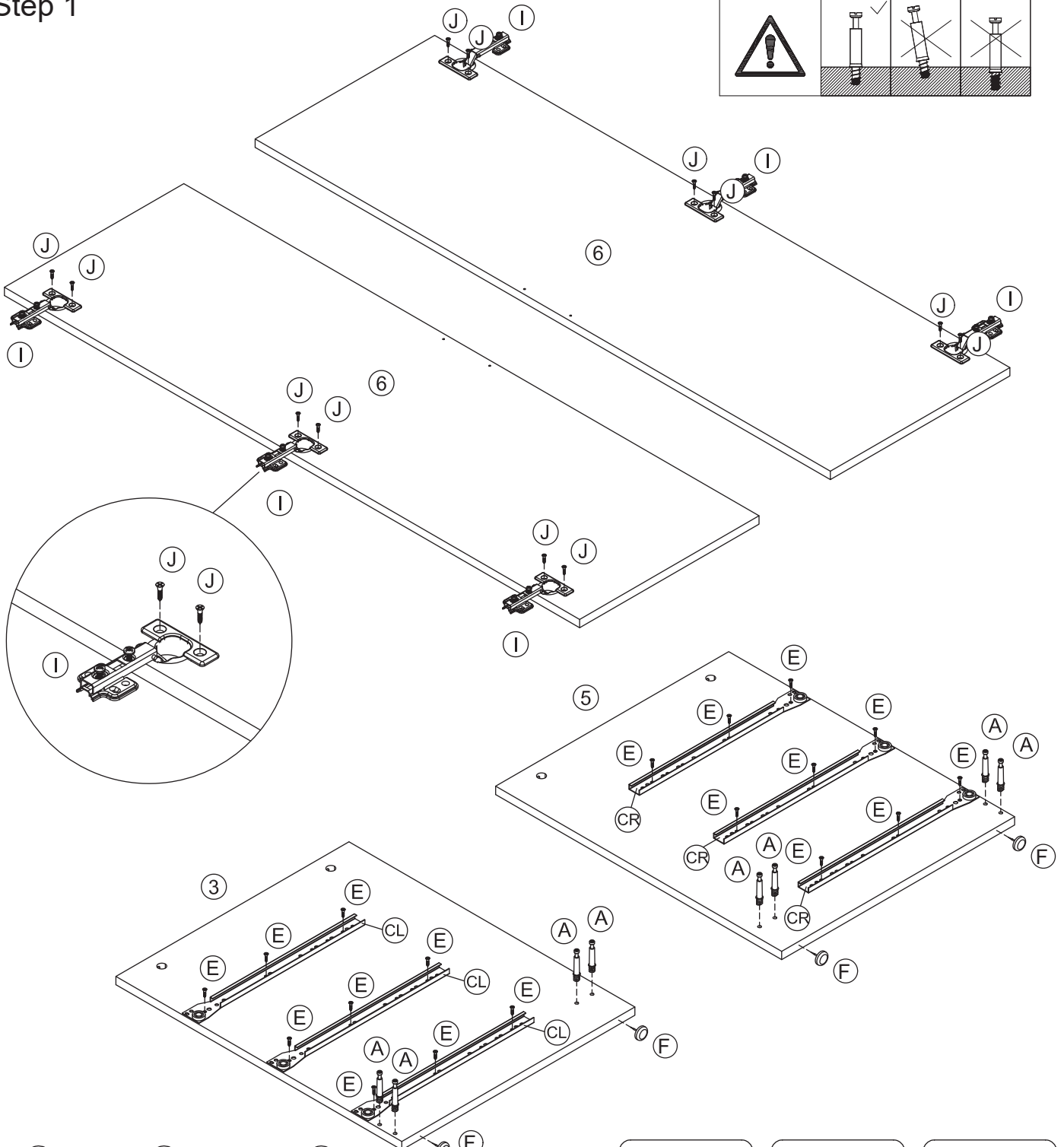
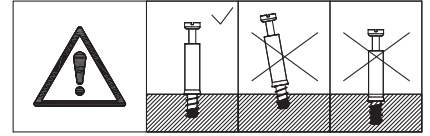
Important-Please read these instructions fully before starting assembly

If you need help or have damaged or missing parts, please email aftersales@gpmfurniture.co.uk

Assembly Instructions

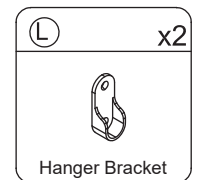
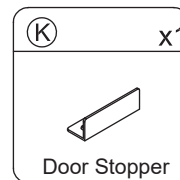
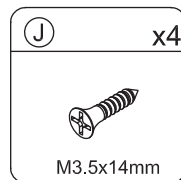
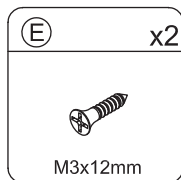
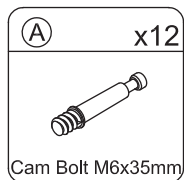
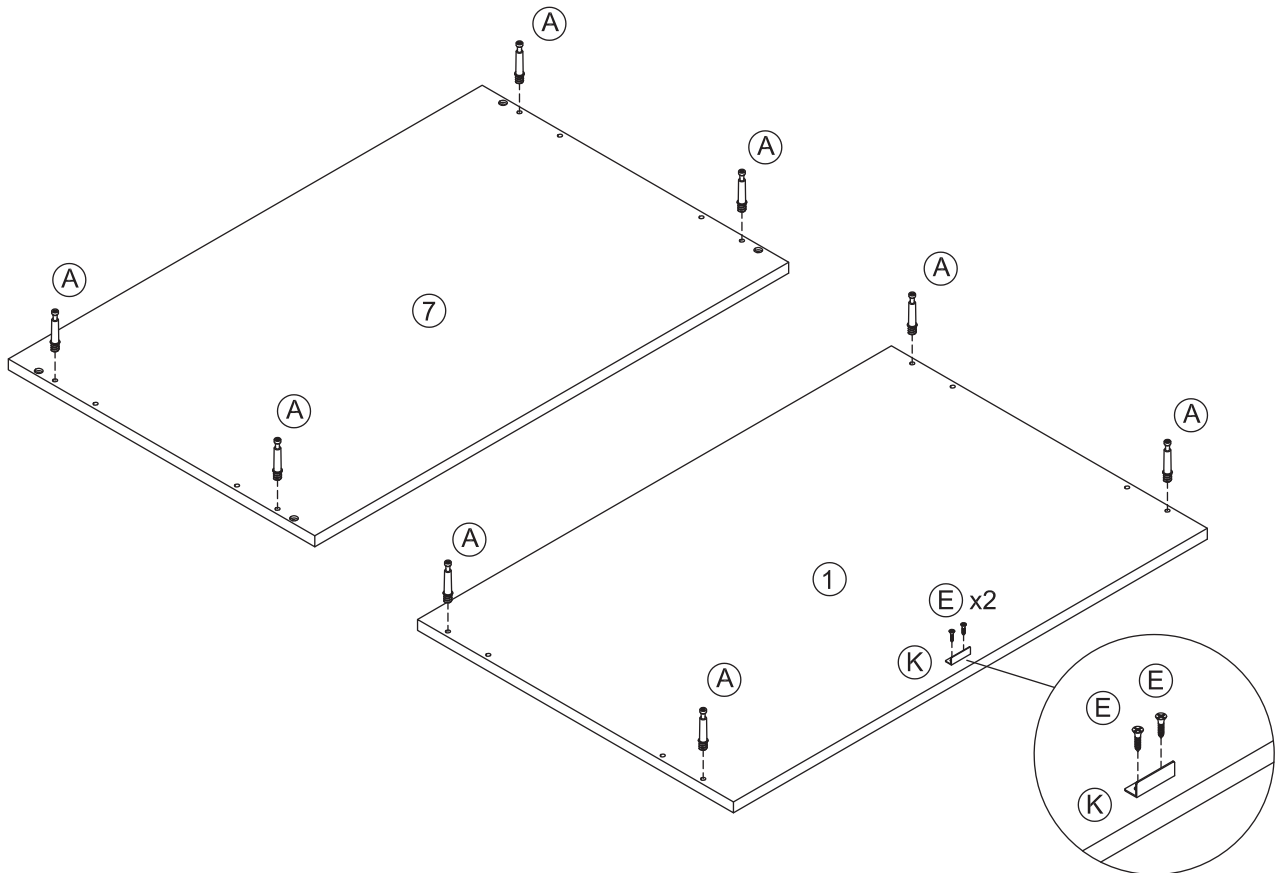
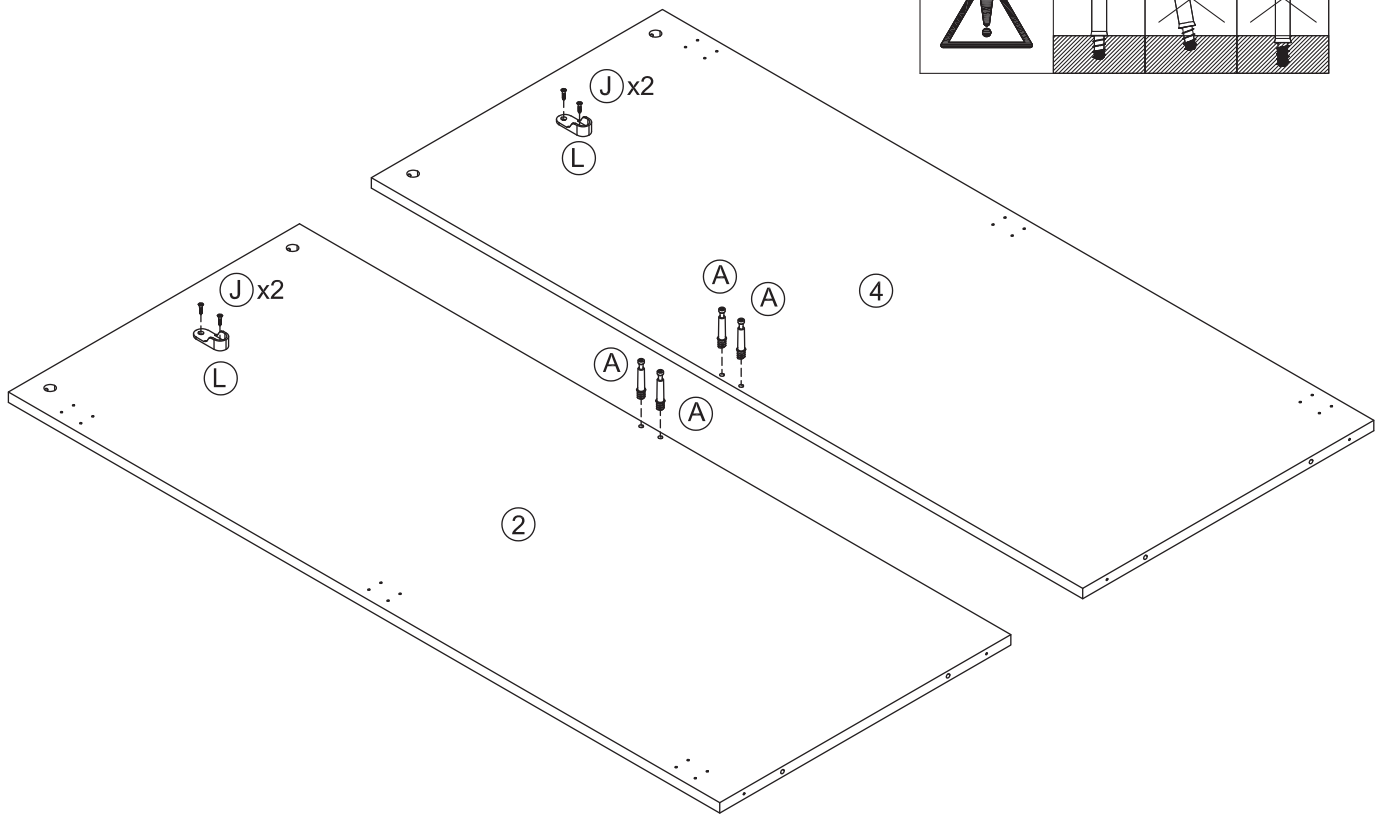
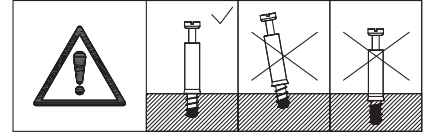
If you have damaged or missing components,
email: aftersales@gpmfurniture.co.uk

Step 1

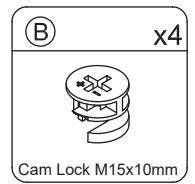
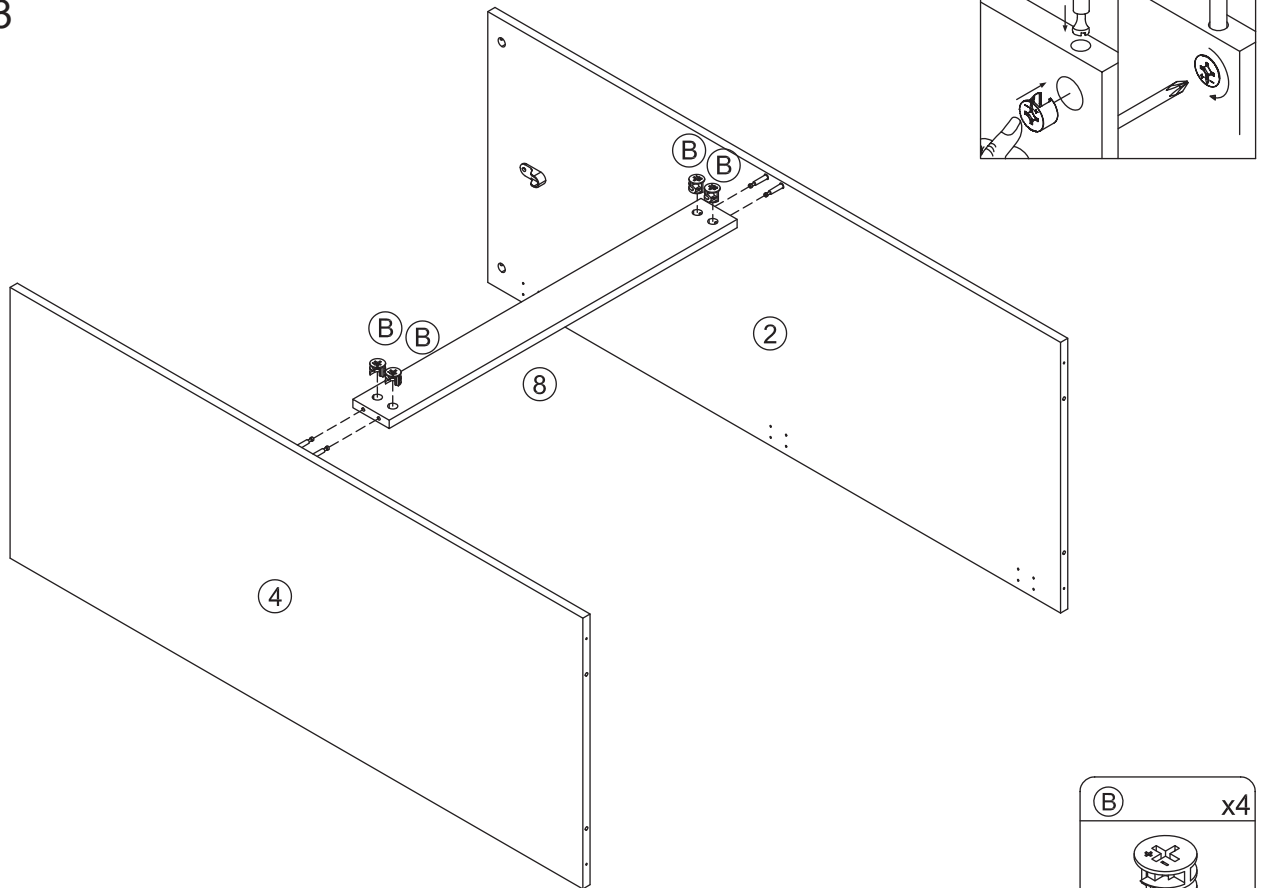


<p>(A) x8 Cam Bolt M6x35mm</p>	<p>(E) x18 M3x12mm</p>	<p>(I) x6 Hinges</p>
<p>(F) x4 Leg Pin</p>	<p>(J) x12 M3.5x14mm</p>	<p>(CL) x3</p>
		<p>(CR) x3</p>

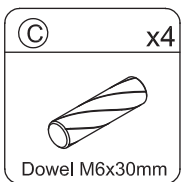
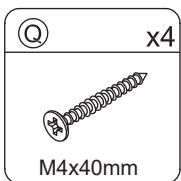
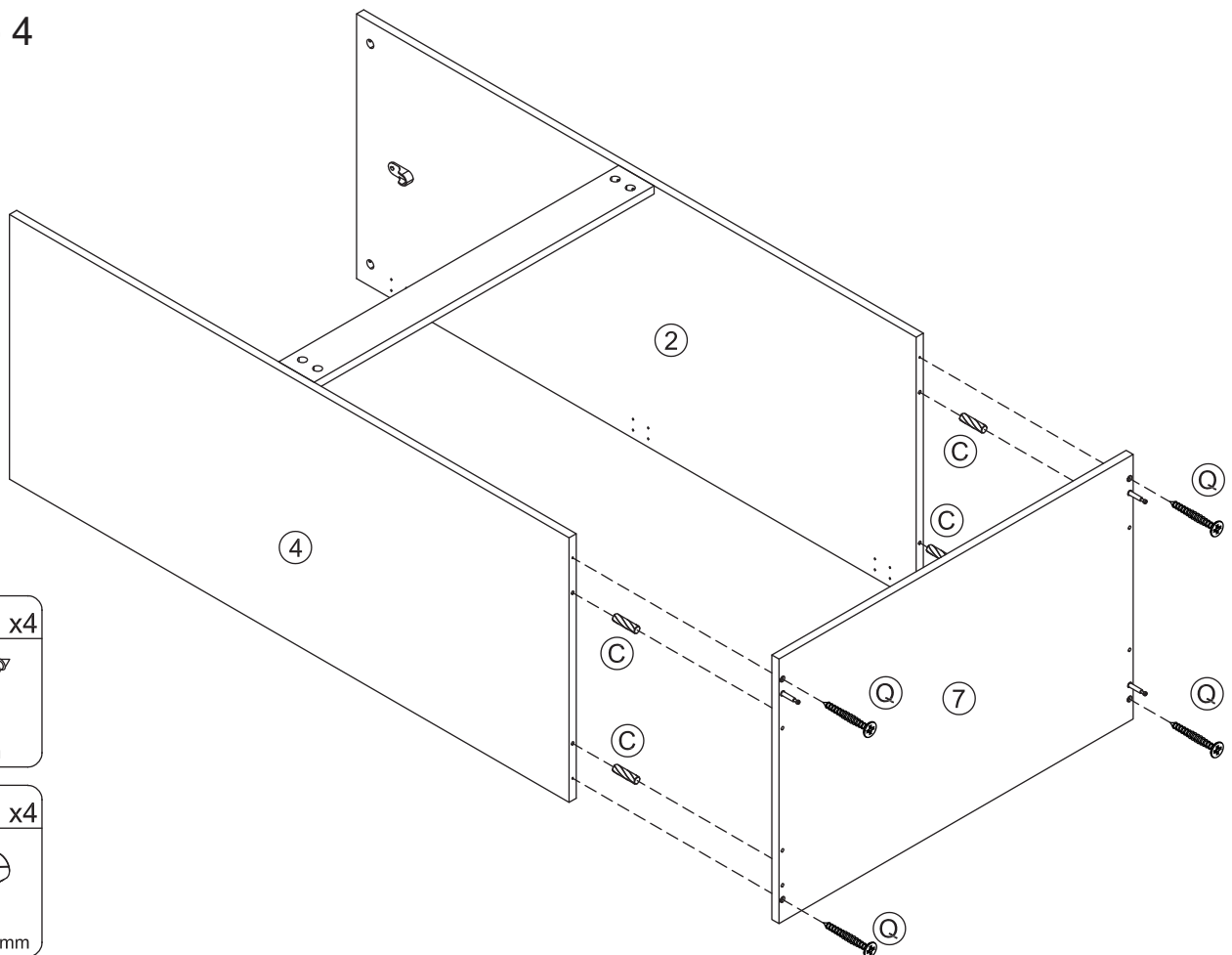
Step 2



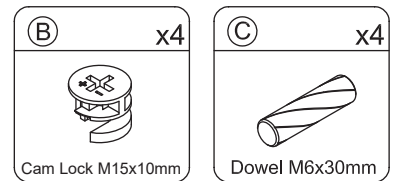
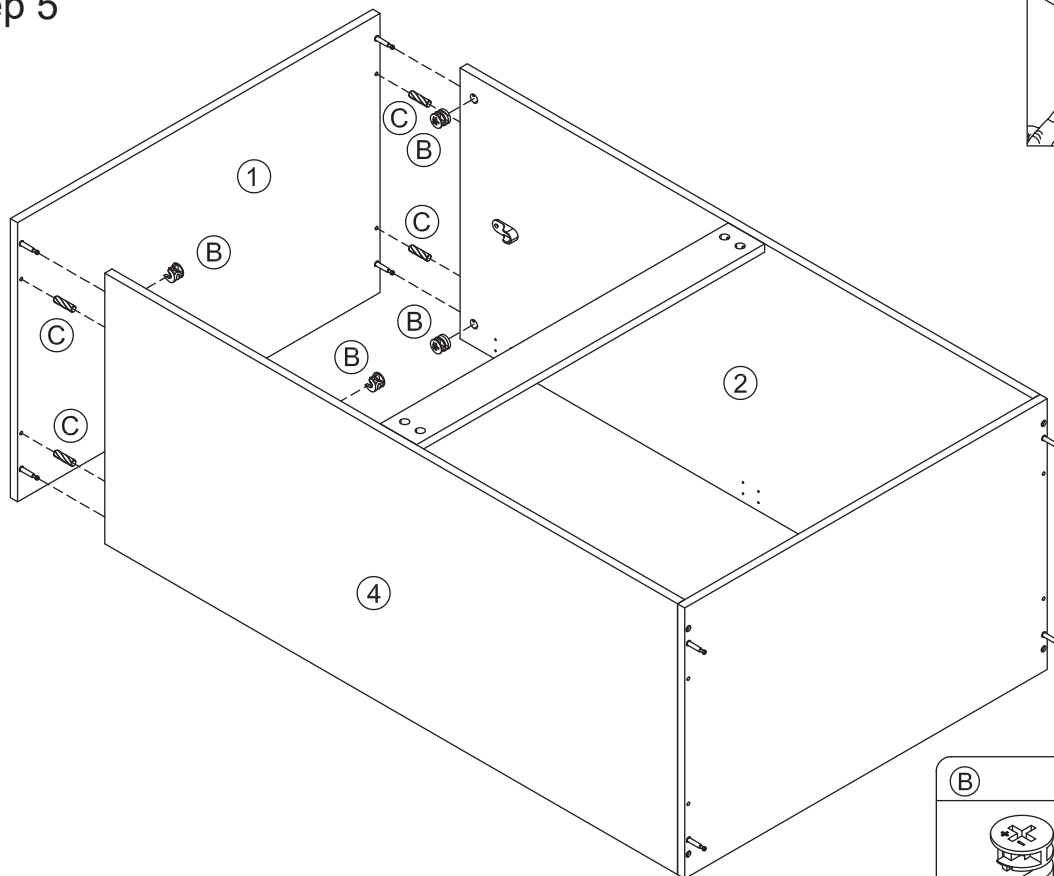
Step 3



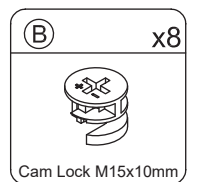
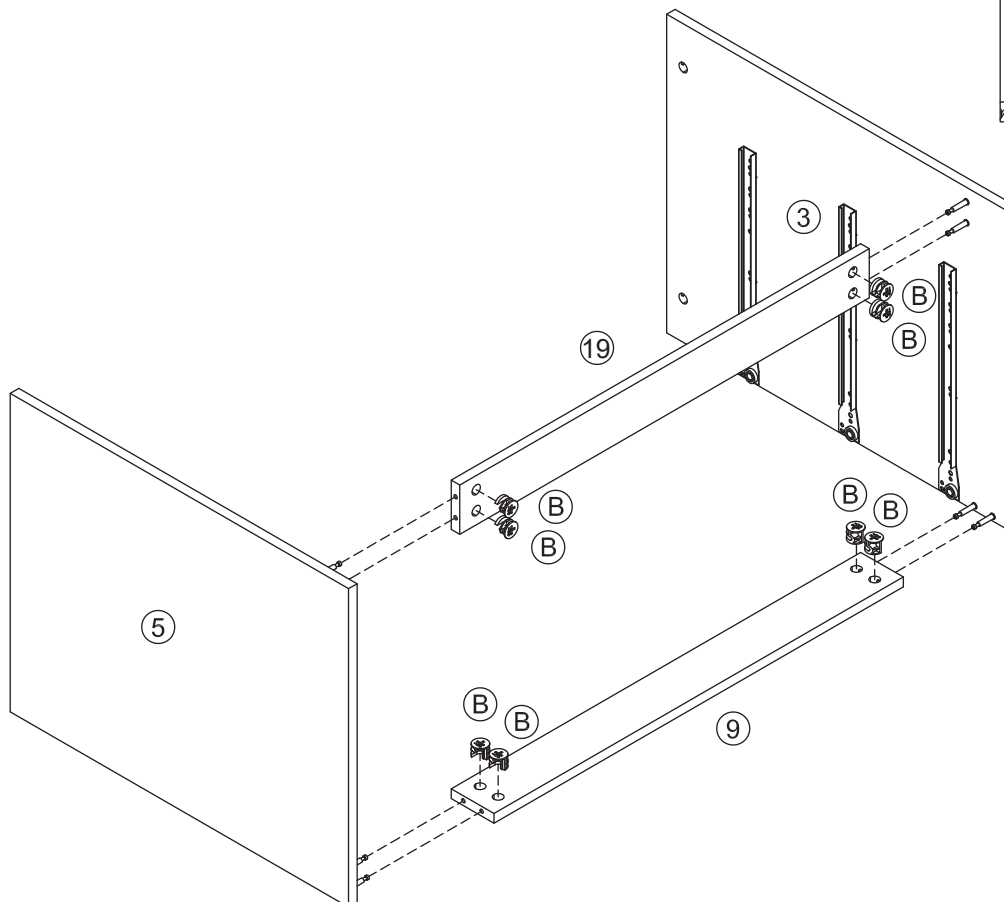
Step 4



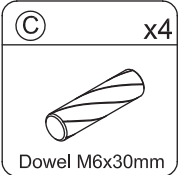
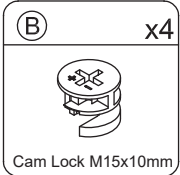
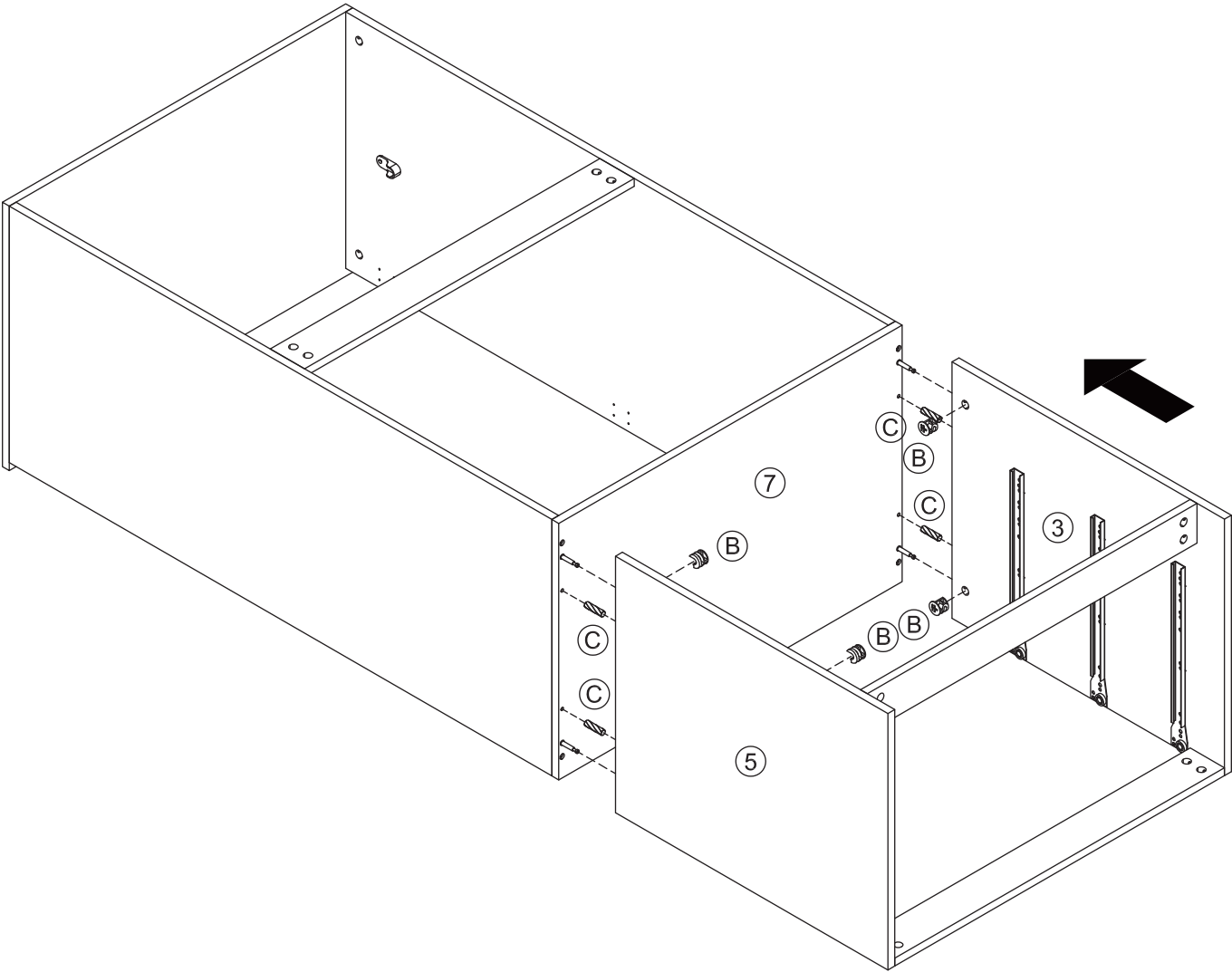
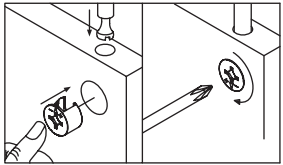
Step 5



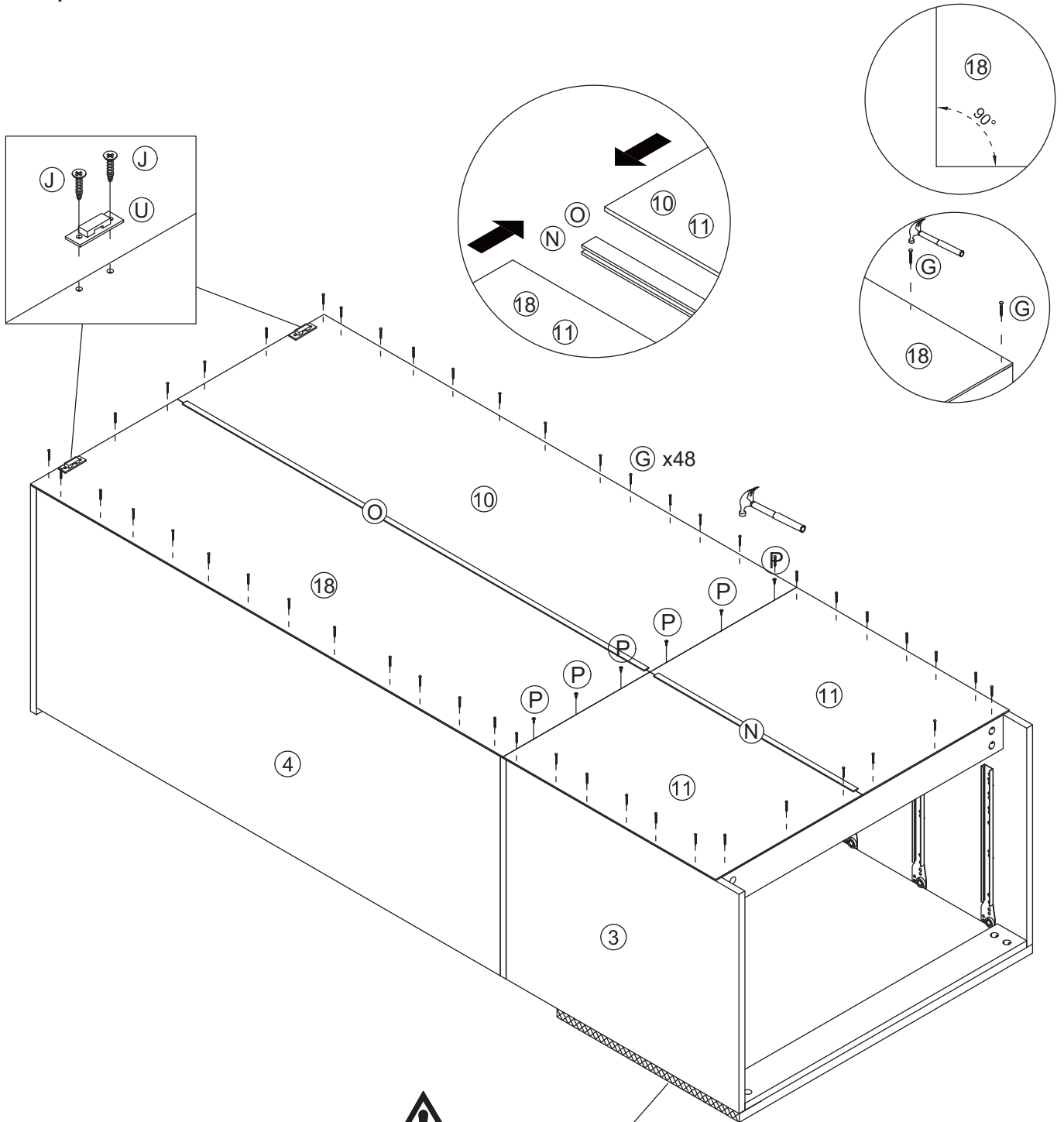
Step 6




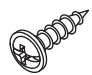



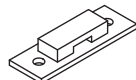
Step 7



Step 8

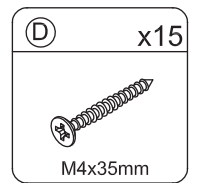
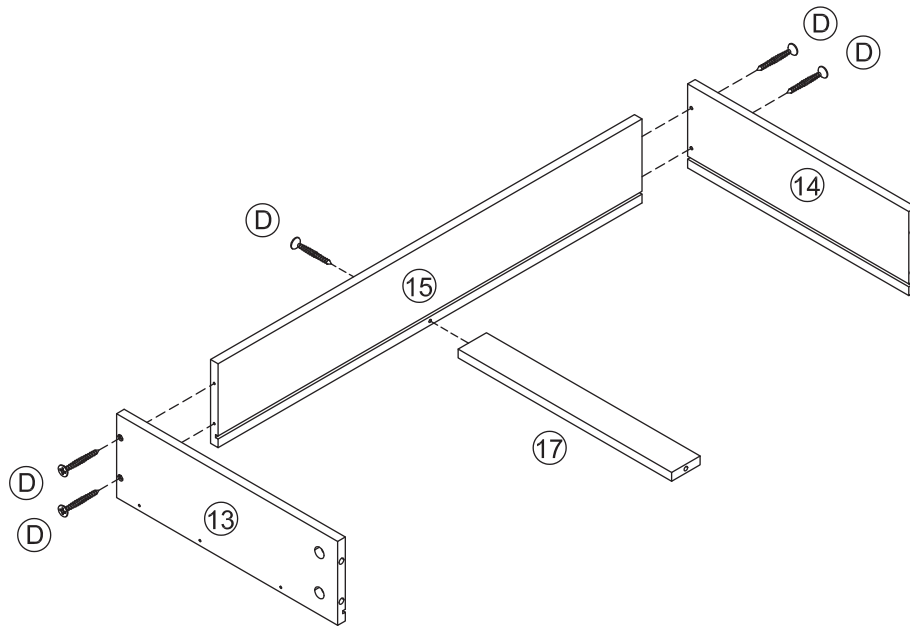


Put a foam under

<p>G x48</p>  <p>Nail</p>	<p>P x6</p>  <p>Backboard screws M2.5x14mm</p>	<p>N x1</p>  <p>Lower Connection Stripe</p>	<p>O x1</p>  <p>Upper Connection Stripe</p>	<p>J x4</p>  <p>M3.5x14mm</p>	<p>U x2</p>  <p>Bracket</p>
---	--	---	--	---	---

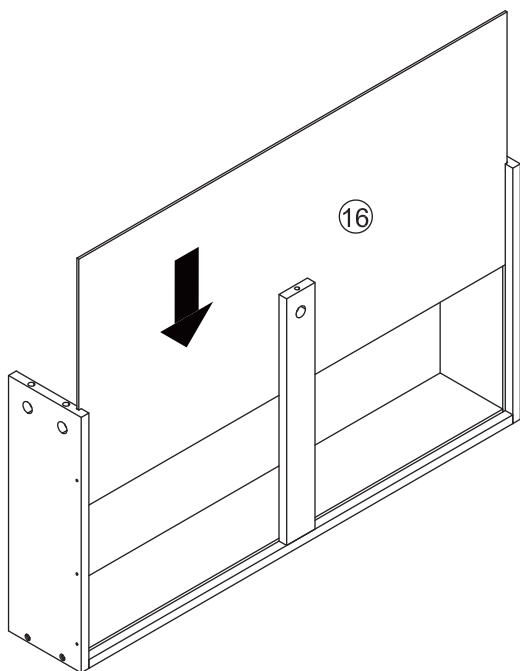
Step 9

x3



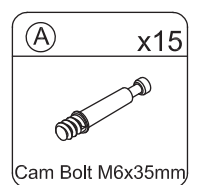
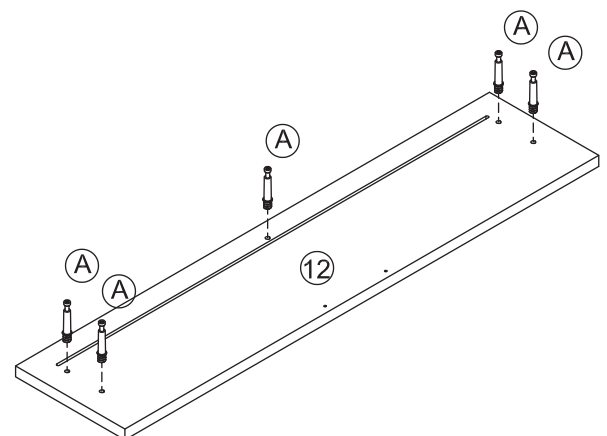
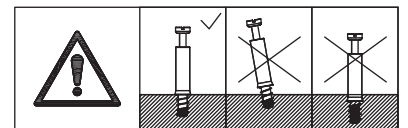
Step 10

x3



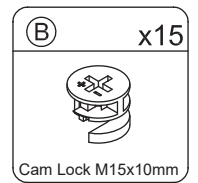
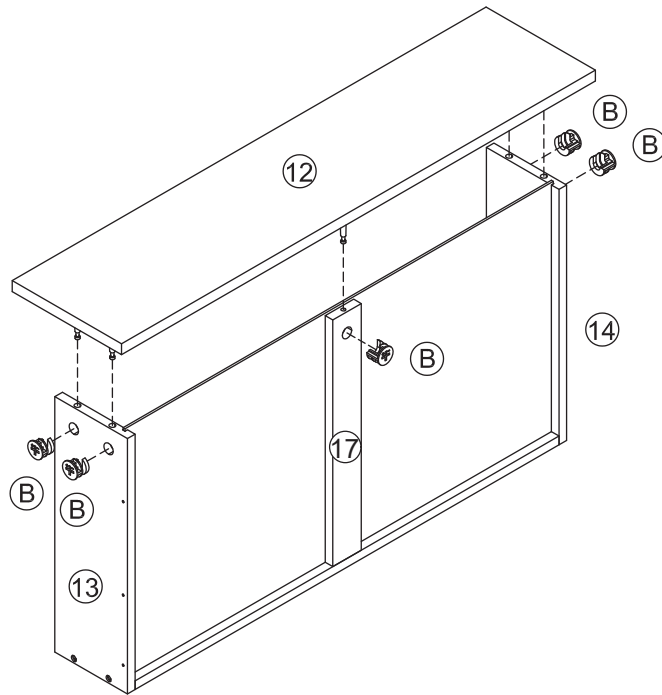
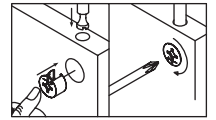
Step 11

x3



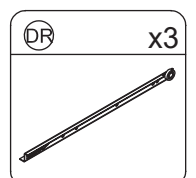
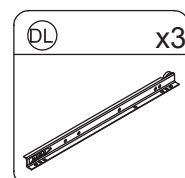
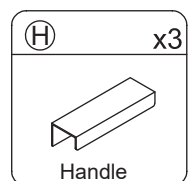
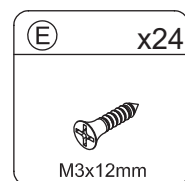
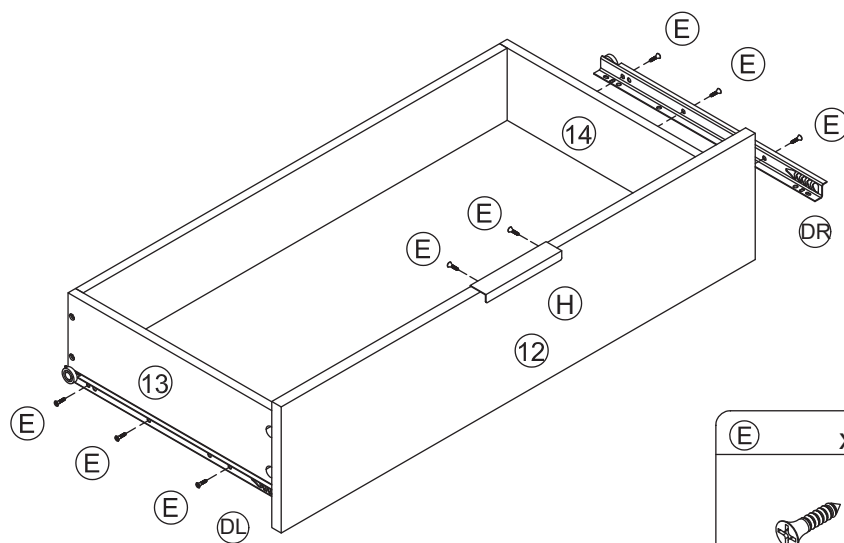
Step 12

x3

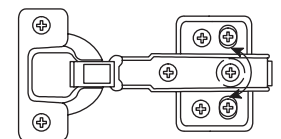
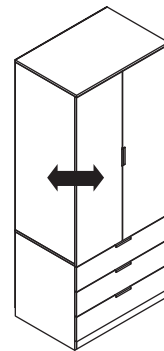
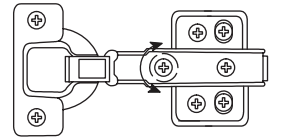
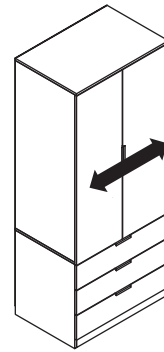
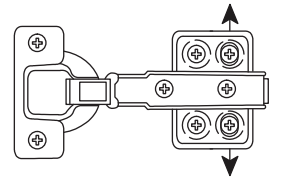
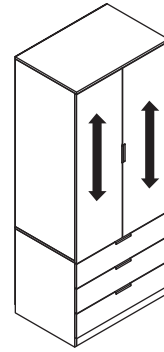
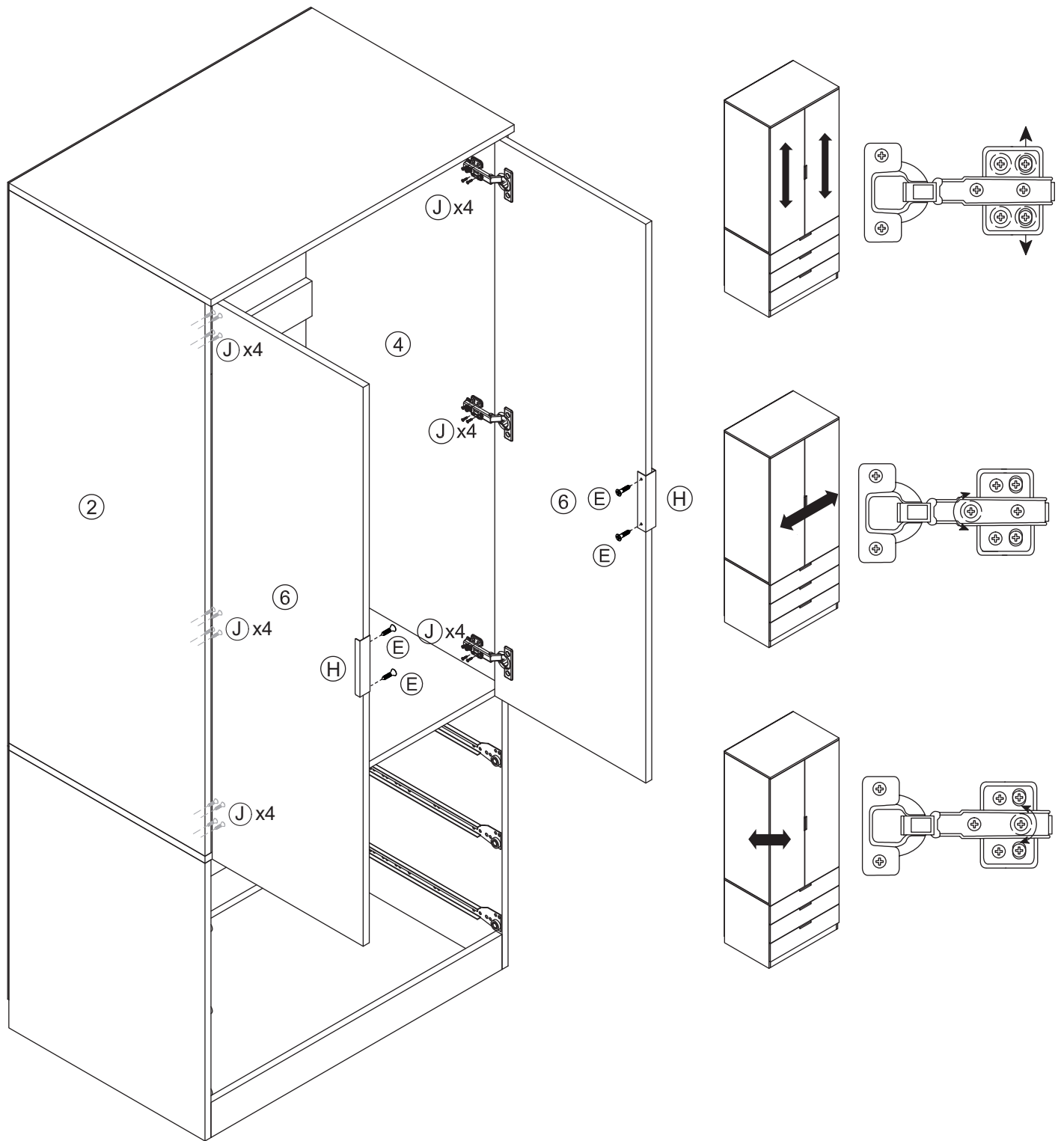





Step 13

x3

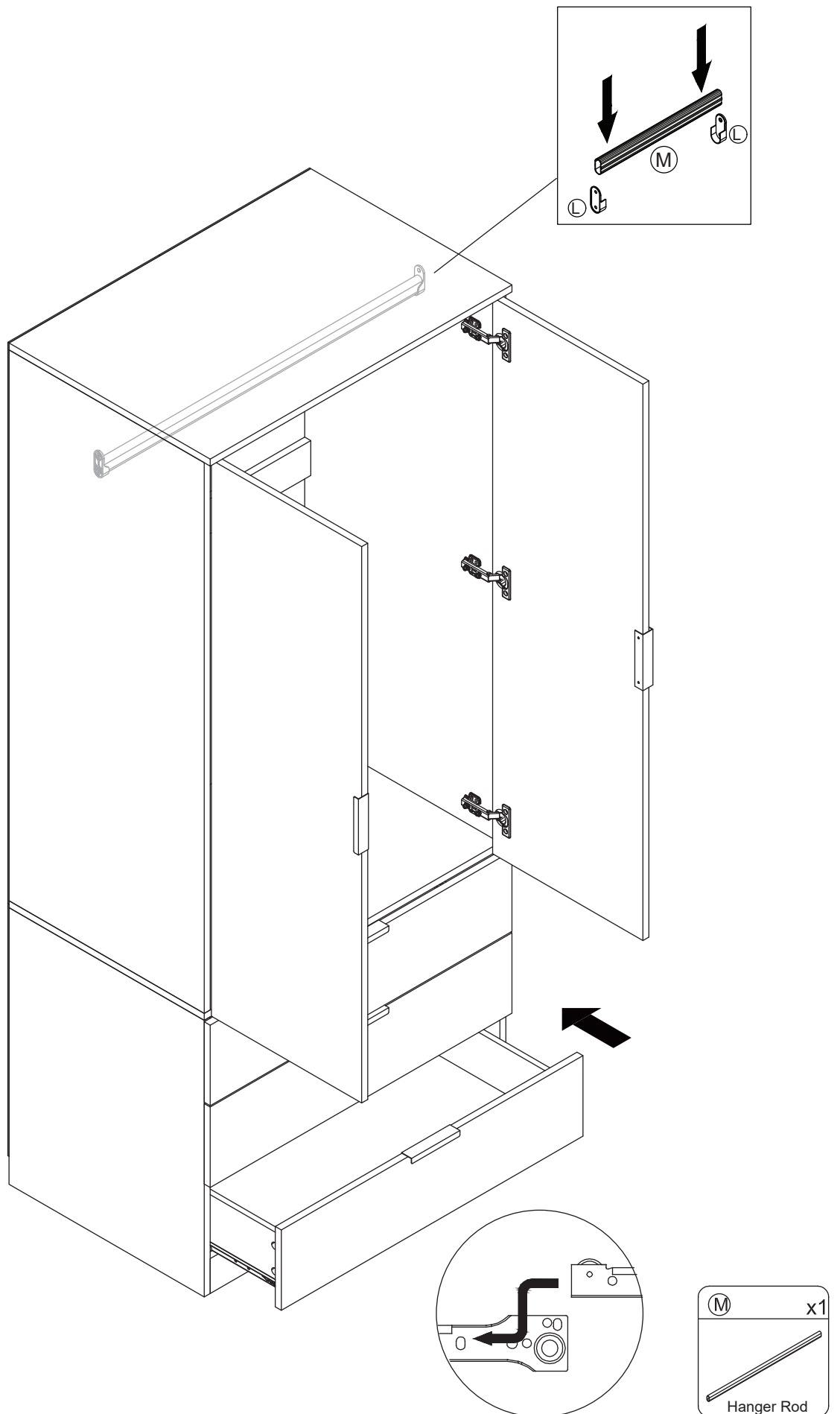


Step 14

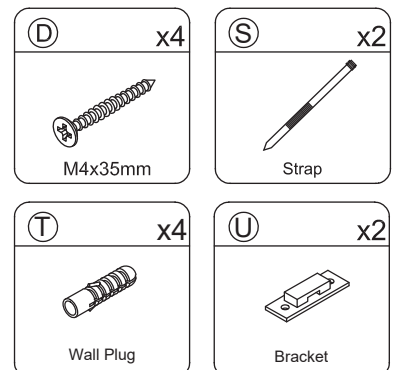
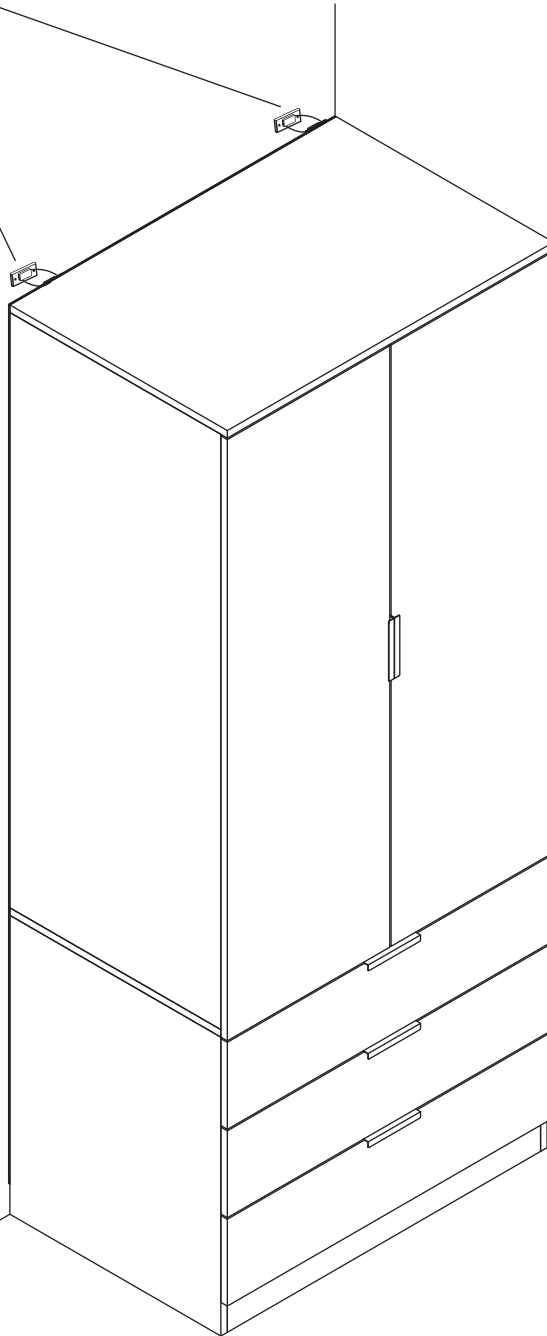
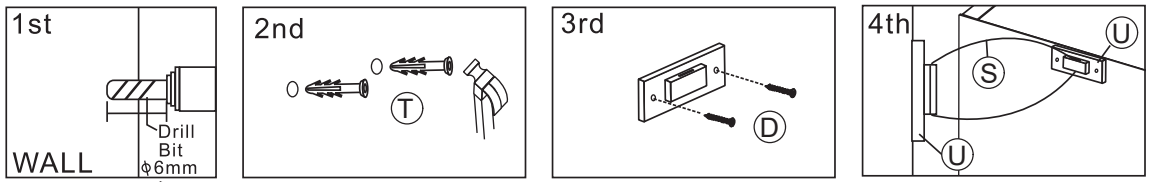


<p>(E) x4</p>  <p>M3x12mm</p>	<p>(J) x24</p>  <p>M3.5x14mm</p>	<p>(H) x2</p>  <p>Handle</p>
---	---	---

Step 15



Step 16



Assembly complete