

GLOBAL PROCUREMENT AND MARKETING LIMITED

PHOENIX 3 DRAWER 2 DOOR WARDROBE

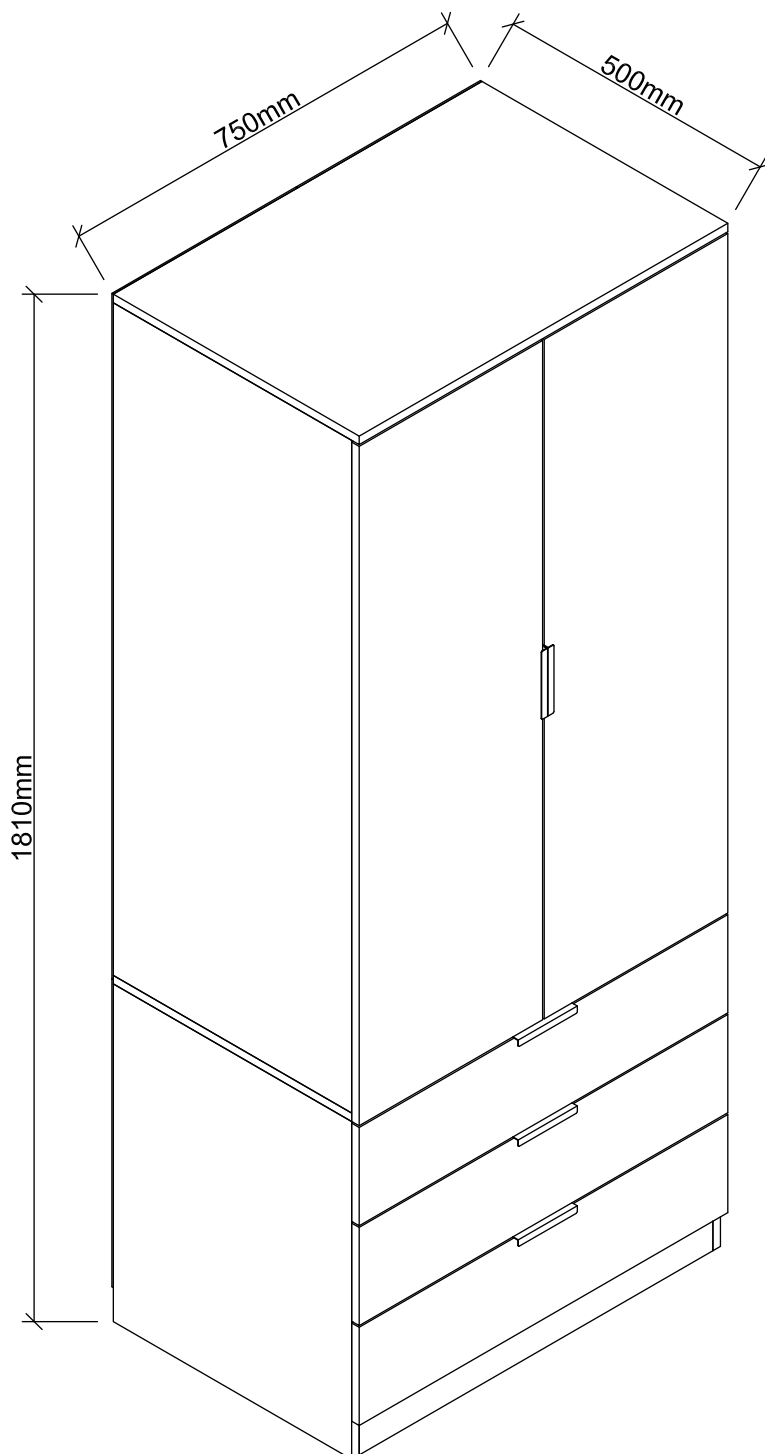
Assembly instruction- Please keep for future reference


ROBPHO2BK

ROBPHO2WT

ROBPHO2GY

ROBPHO2OK



Dimensions	No. People	Assembly Time	OW#
Width: 75 cm Depth: 50 cm Height: 181 cm		90 mins (approx)	ROBPHO2BK ROBPHO2WT ROBPHO2GY

thank you

For purchasing this
GPM Limited
product

Important-Please read these instructions fully before starting assembly

If you need help or have damaged or missing parts, please email aftersales@gpmfurniture.co.uk

⚠ Safety and Care Advice

Important-Please read these instructions fully before starting assembly

- Check you have all the components and tools listed on pages 2,3 and 4.
- Remove all fittings from the plastic bags and separate them into their groups.
- Keep children and animals away from the work area, small parts could choke if swallowed.
- Make sure you have enough space to lay out the parts before starting.
- Do not stand or put weight on the product, this could cause damage.
- Assemble the item as close to its final position (in the same room) as possible.
- Assemble on a soft, level surface to avoid damaging the unit or your floor.

- We do not recommend the use of power drill/drivers for inserting screw, as this could damage the unit. only use hand screwdrivers.
- Dispose of all packaging carefully and responsibly.

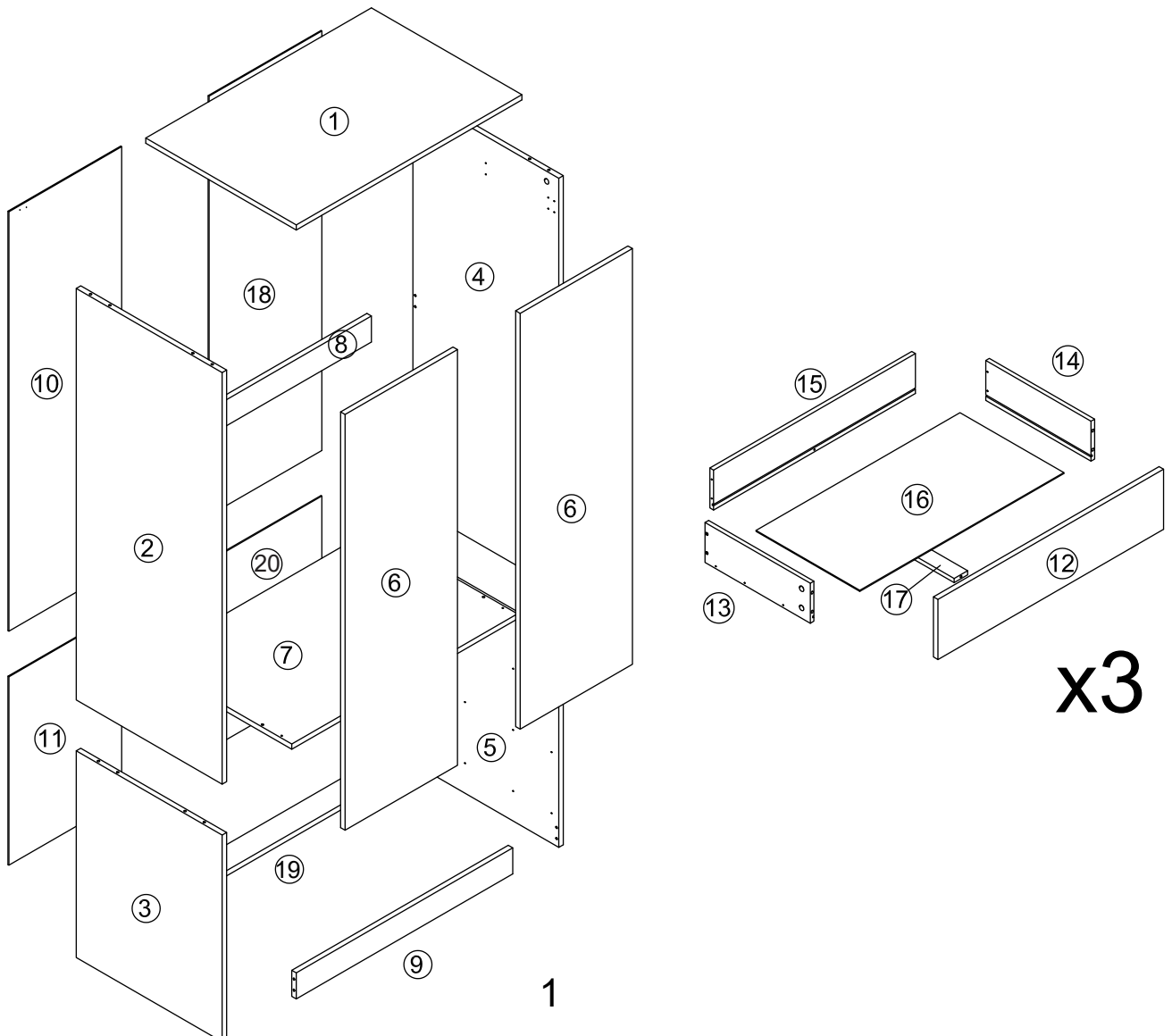


Care and Maintenance

- Only clean using a damp cloth and mild detergent, do not use bleach or abrasive cleaners.
- From time to time check that there are no loose screws on this unit.
- This product should not be discarded with household waste. Take to your local authority waste disposal centre.

If you are unhappy with the product and wish to return it, please following the retailer's returns procedure.

Components - Panels

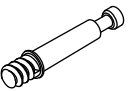

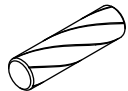
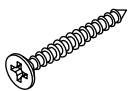

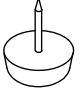
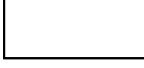
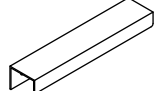
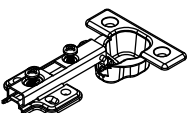
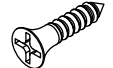
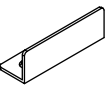

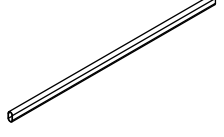


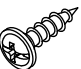
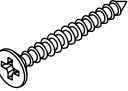
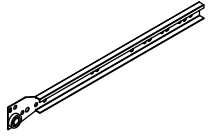
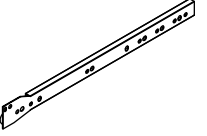
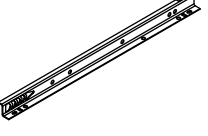
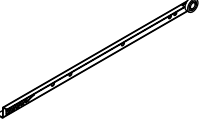



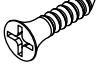
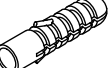
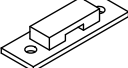
Components - Fixings

If you have damaged or missing components,
email: aftersales@gpmfurniture.co.uk

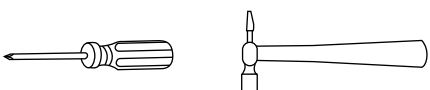
Please check that you have all the components listed below before constructing your item.

Note: The quantities below are the correct amount to complete the assembly. In some cases more fittings may be supplied than are required.

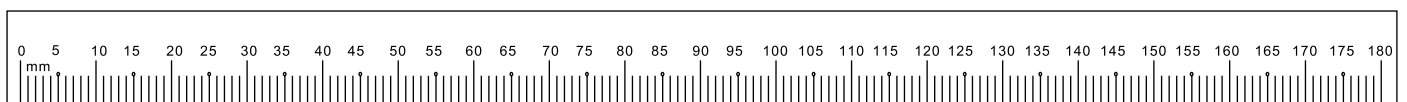
HARDWARE					
(A)  Cam Bolt M6x35mm X 35+3	(B)  Cam lock M15x10MMx35+3	(C)  Dowel M6x30MMx12+1	(D)  M4x35mm X 19+1	(E)  M3x12mm X 48+4	(F)  Leg Pin X 4
(G)  Foot pad x4	(H)  Handle X 5	(I)  Hinges X 6	(J)  M3.5x14mm X 40+4	(K)  Door Stopper X 1	(L)  Hanger Bracket X 2
(M)  Hanger Rod x1	(N)  Lower Connection Stripe X 1	(O)  Upper Connection Stripe X 1	(P)  Backboard screws M2.5x14mm X34+3	(Q)  M4x40mm X 4	
(CL)  Drawer Slide X 3	(CR)  Drawer Slide X 3	(DL)  Drawer Slide X 3	(DR)  Drawer Slide X 3		

ANTI - TIPPING KITS			
(S)  Strap X 2	(J)  M3.5x14mm X 4	(T)  Wall Plug X 4	(U)  Bracket X 4

Tools Required (Not Provided)



Ruler - Use this to measure your screws (mm)



Important-Please read these instructions fully before starting assembly

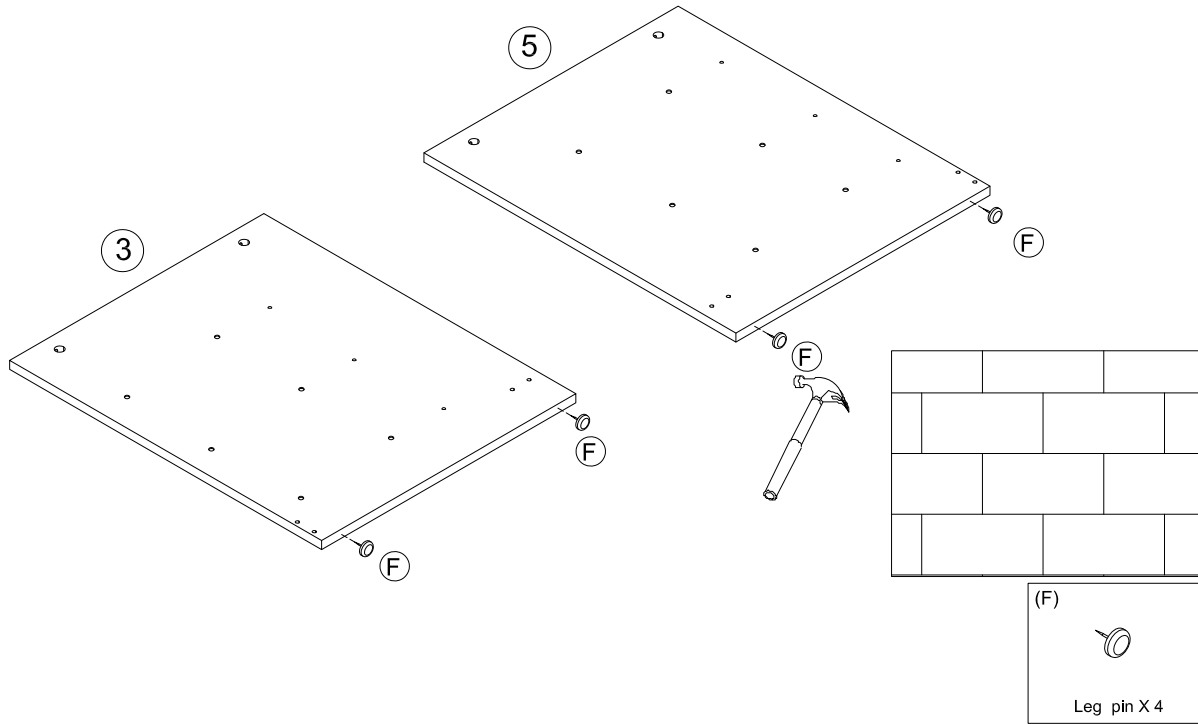
If you need help or have damaged or missing parts, please email aftersales@gpmfurniture.co.uk

Assembly Instructions

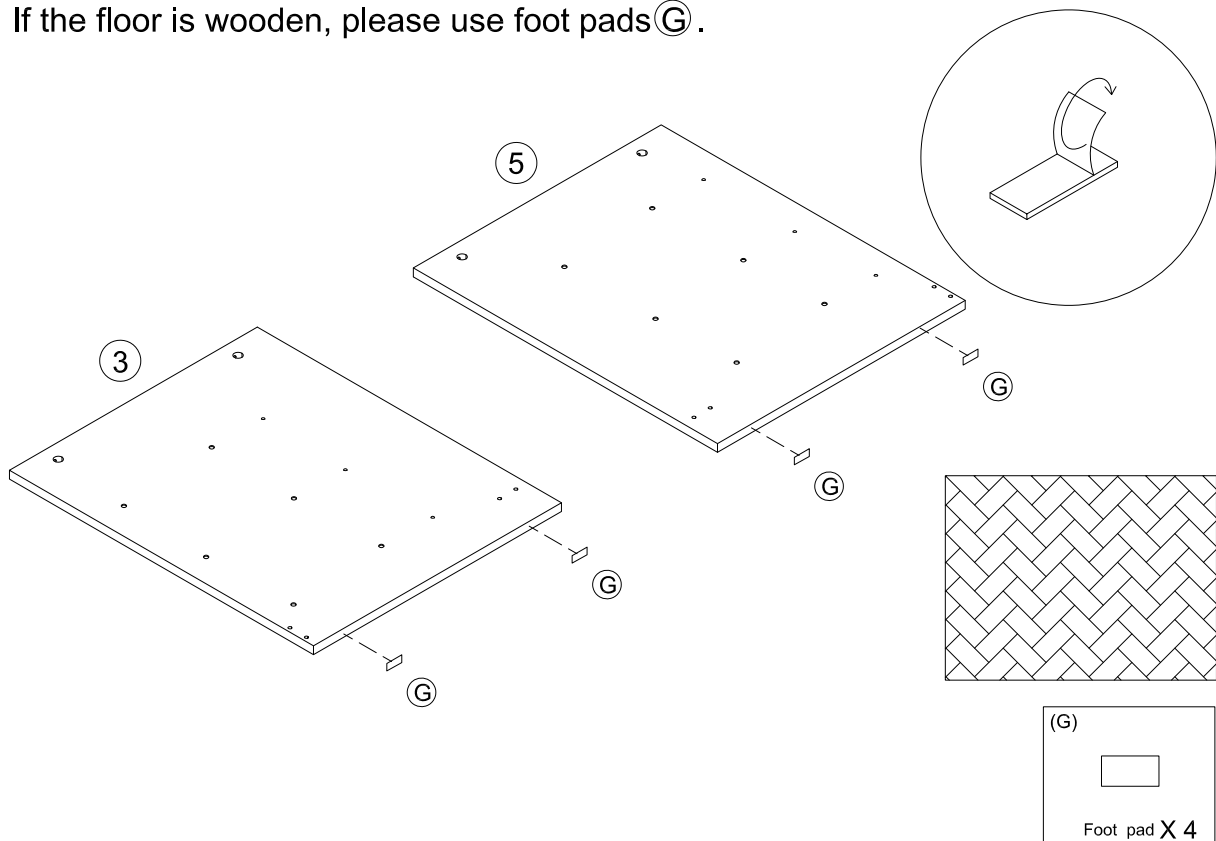
If you have damaged or missing components,
email: aftersales@gpmfurniture.co.uk

Step 1

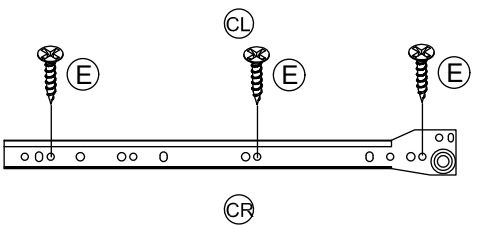
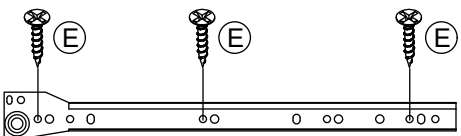
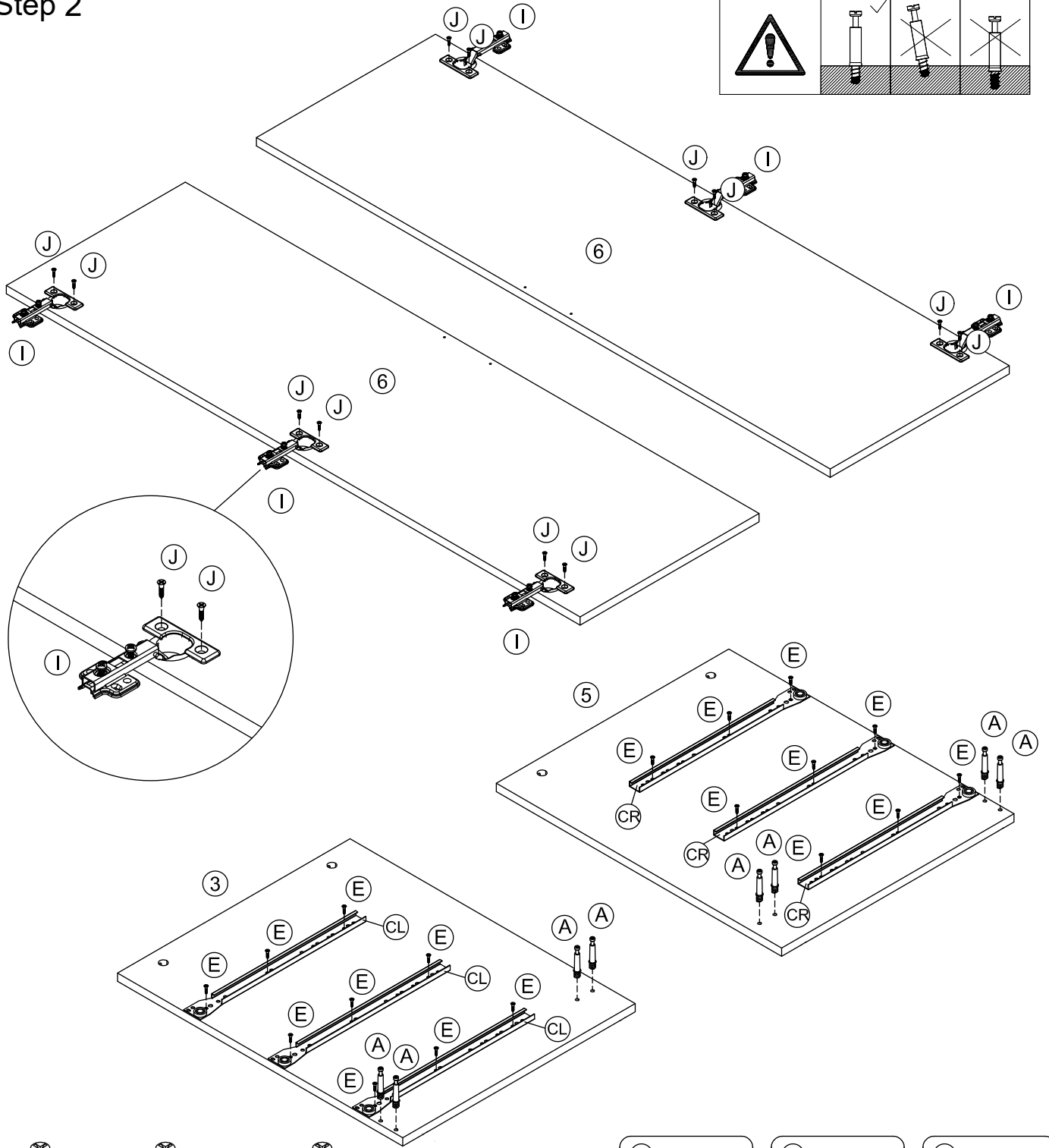
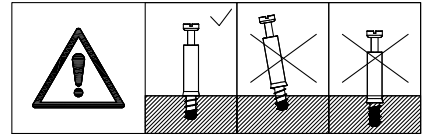
If the floor is tiled, please use leg pin(F).





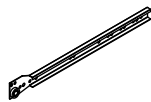
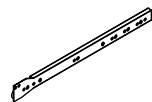


If the floor is wooden, please use foot pads(G).

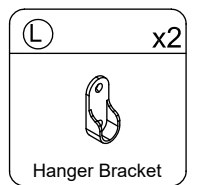
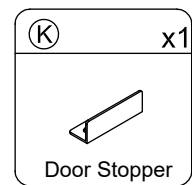
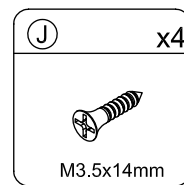
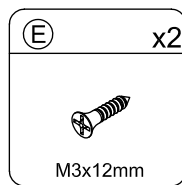
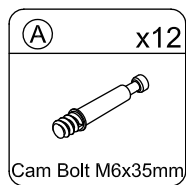
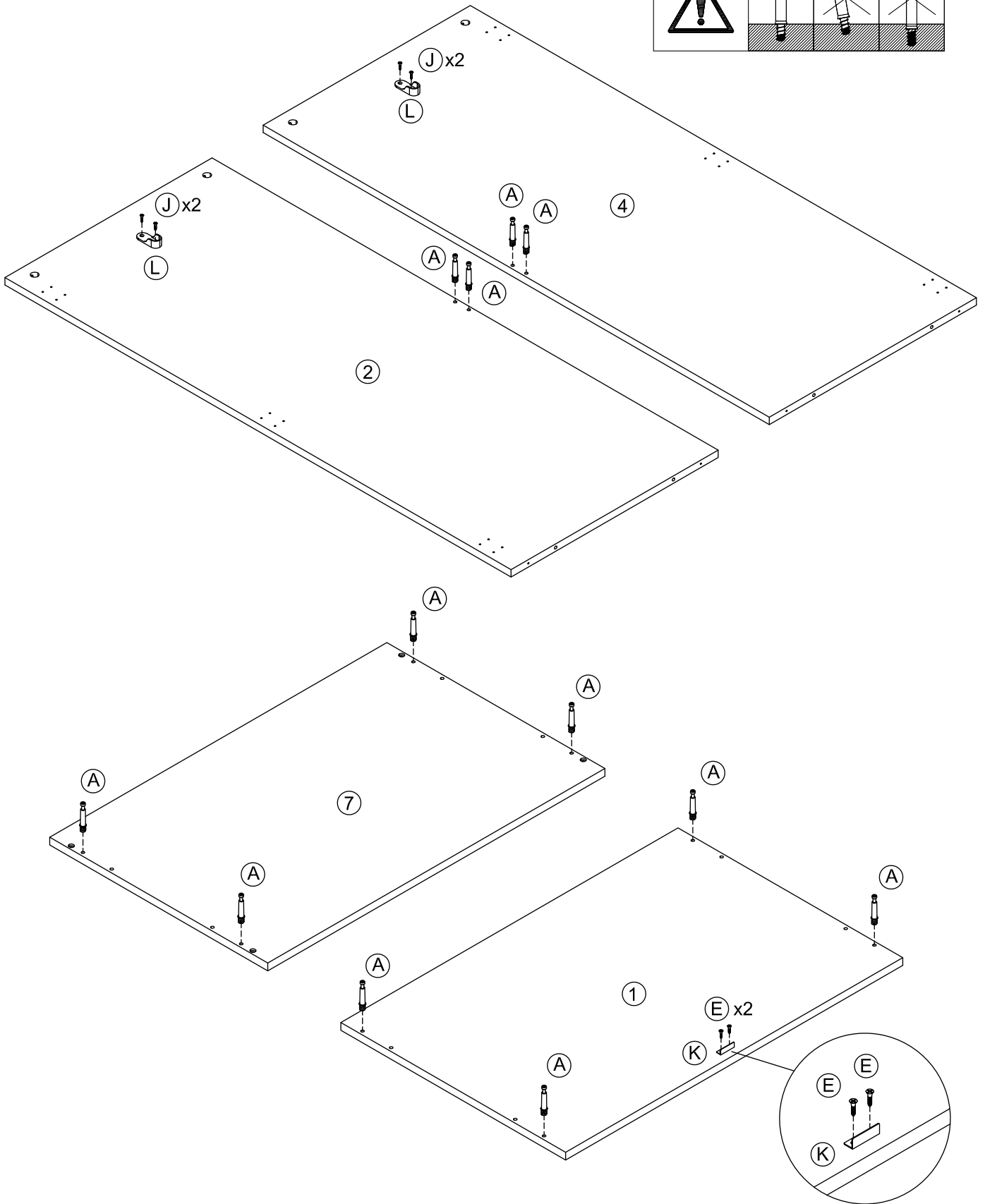
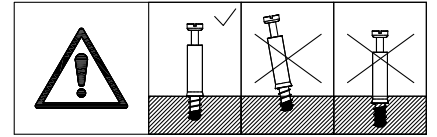


Step 2

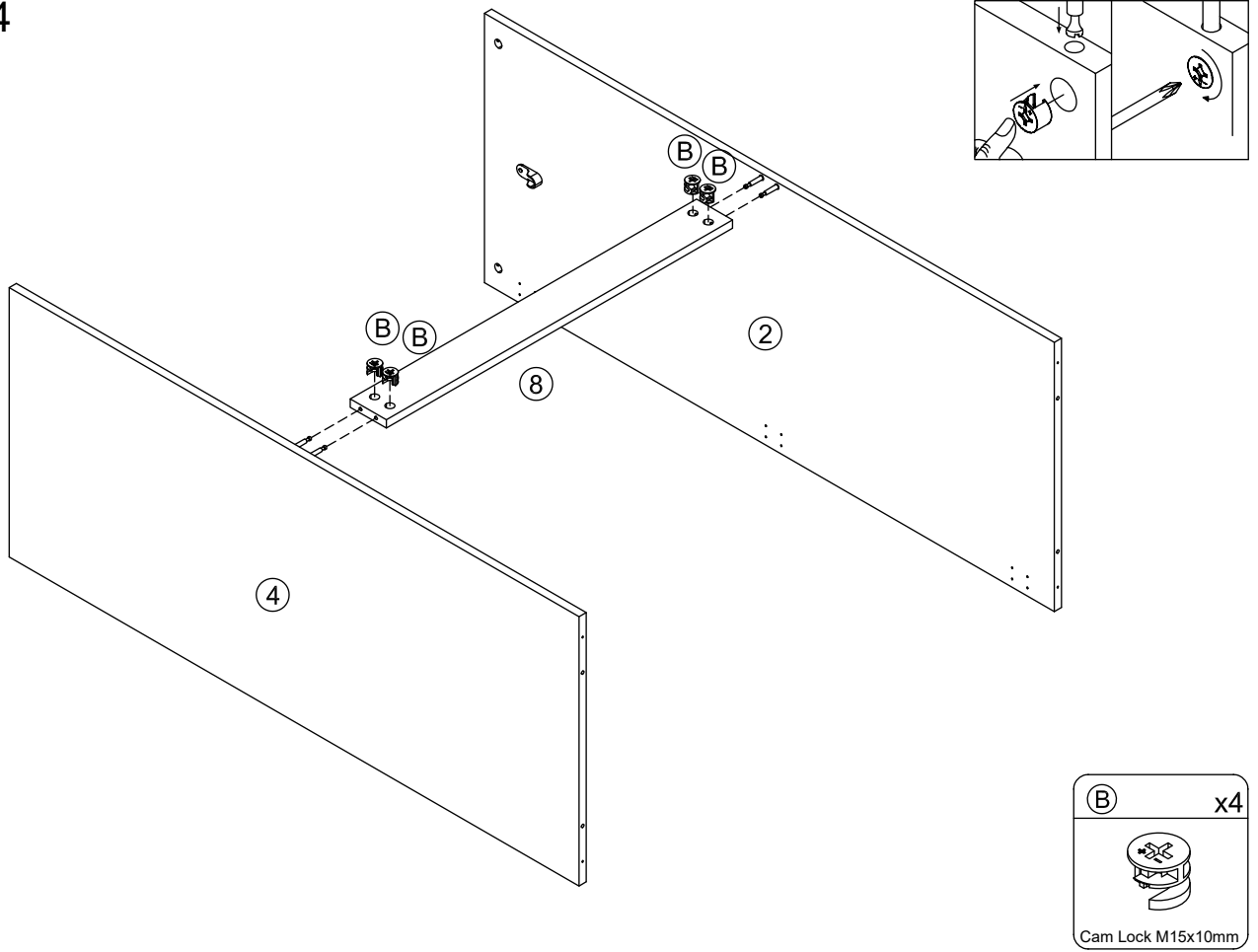


<p>(A) x8</p>  <p>Cam Bolt M6x35mm</p>	<p>(E) x18</p>  <p>M3x12mm</p>	<p>(I) x6</p>  <p>Hinges</p>
<p>(J) x12</p>  <p>M3.5x14mm</p>	<p>(CL) x3</p> 	<p>(CR) x3</p> 

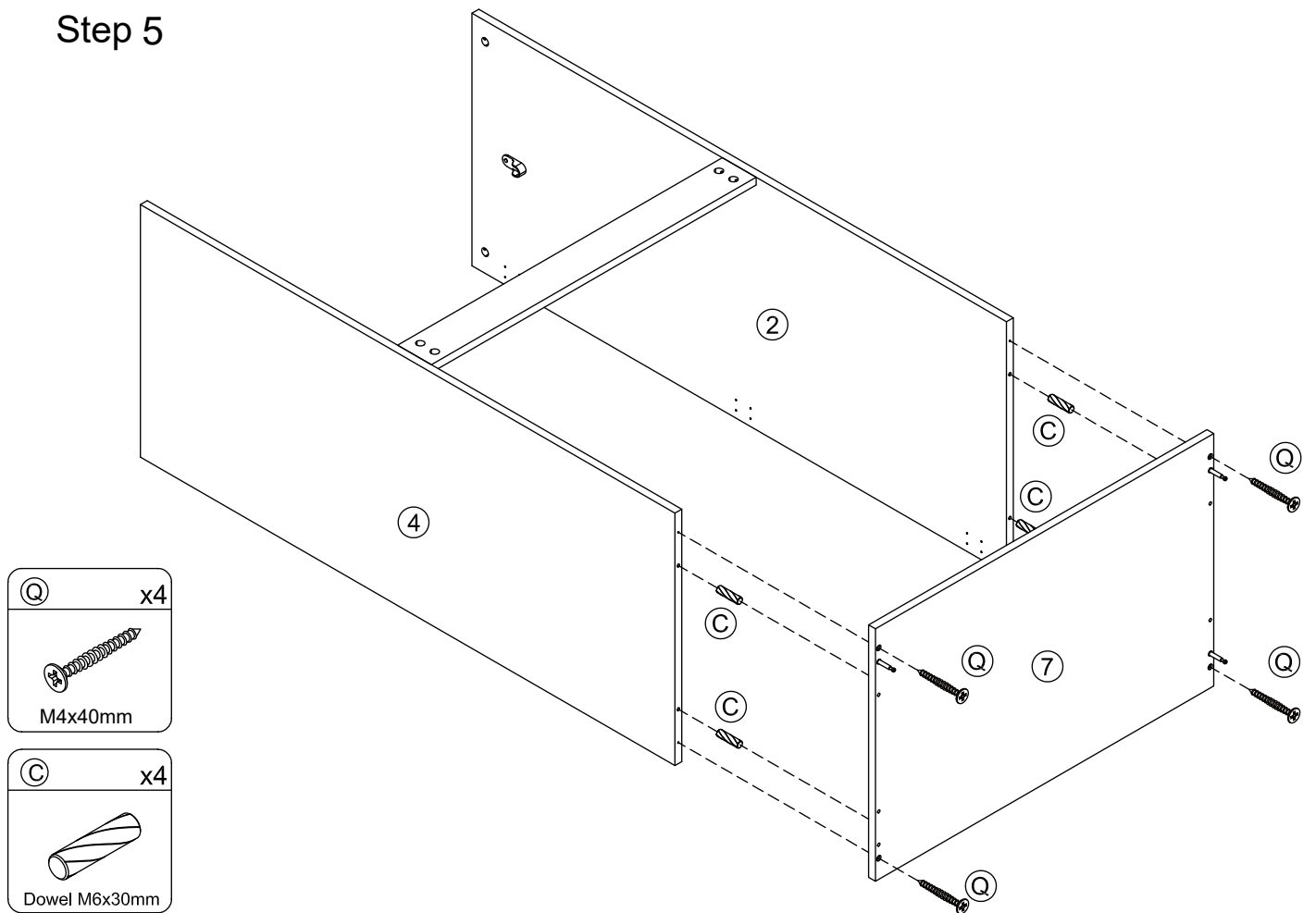
Step 3



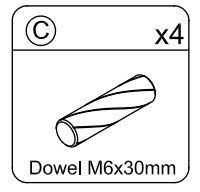
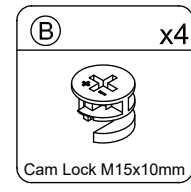
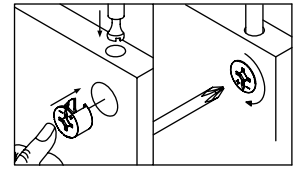
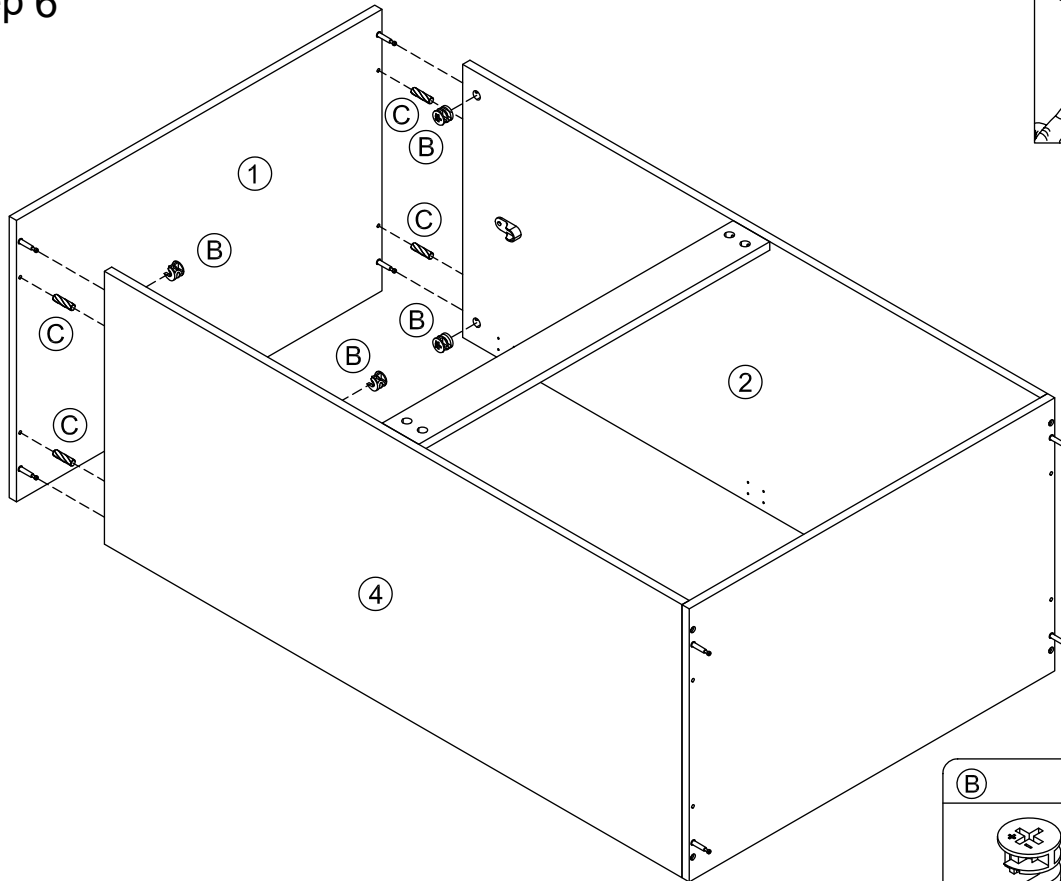
Step 4



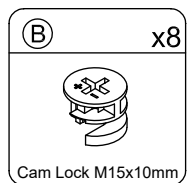
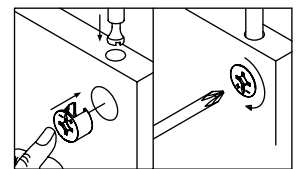
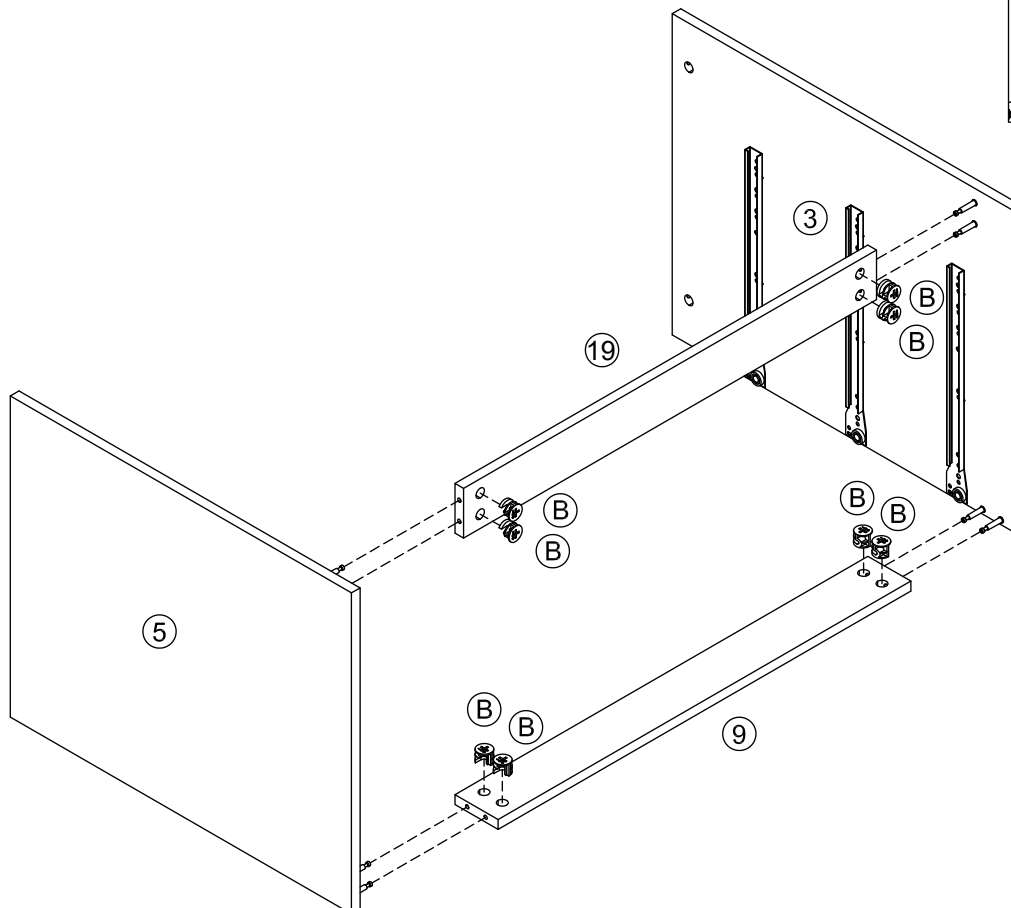
Step 5



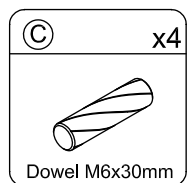
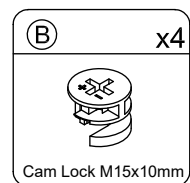
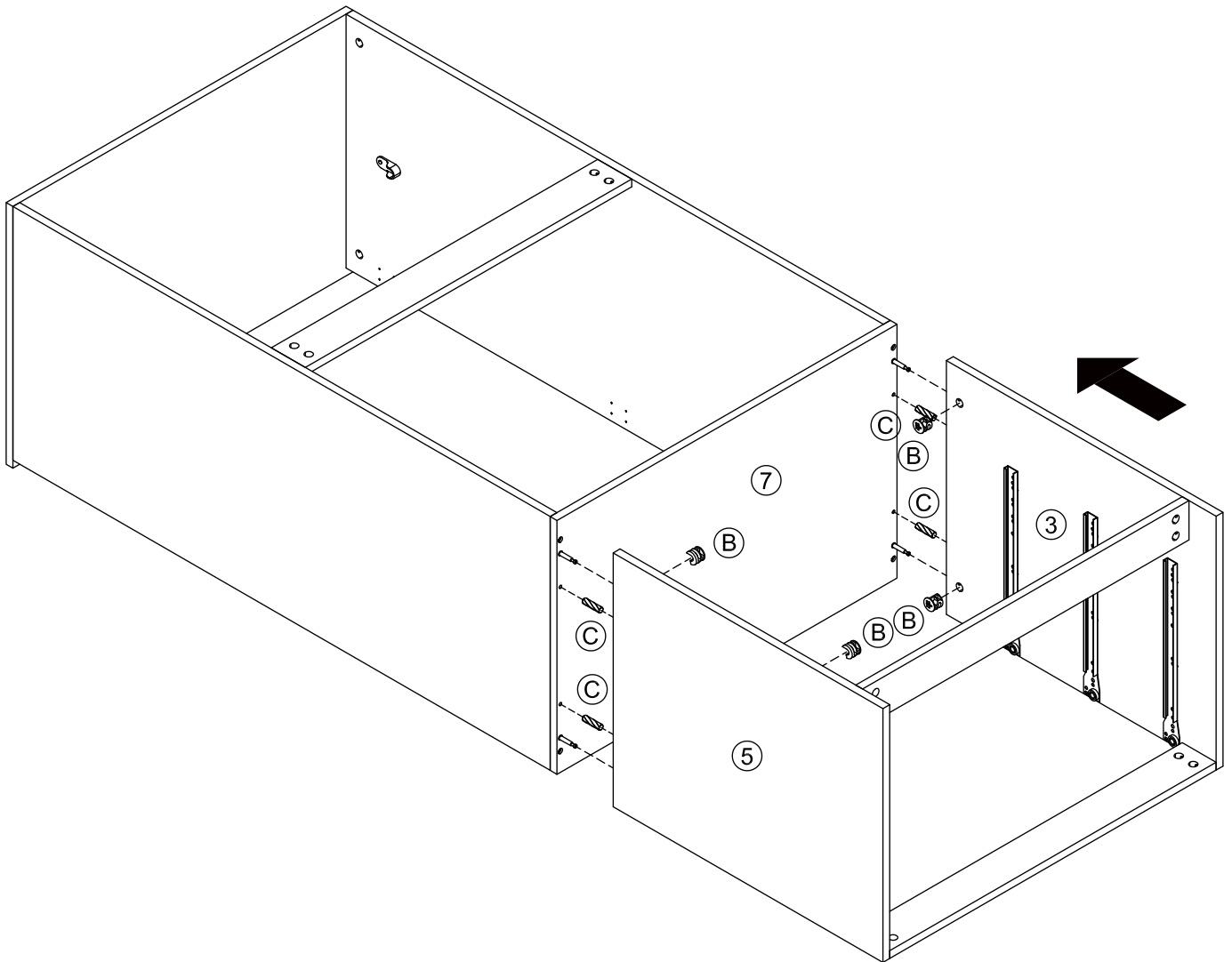
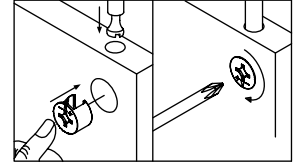
Step 6



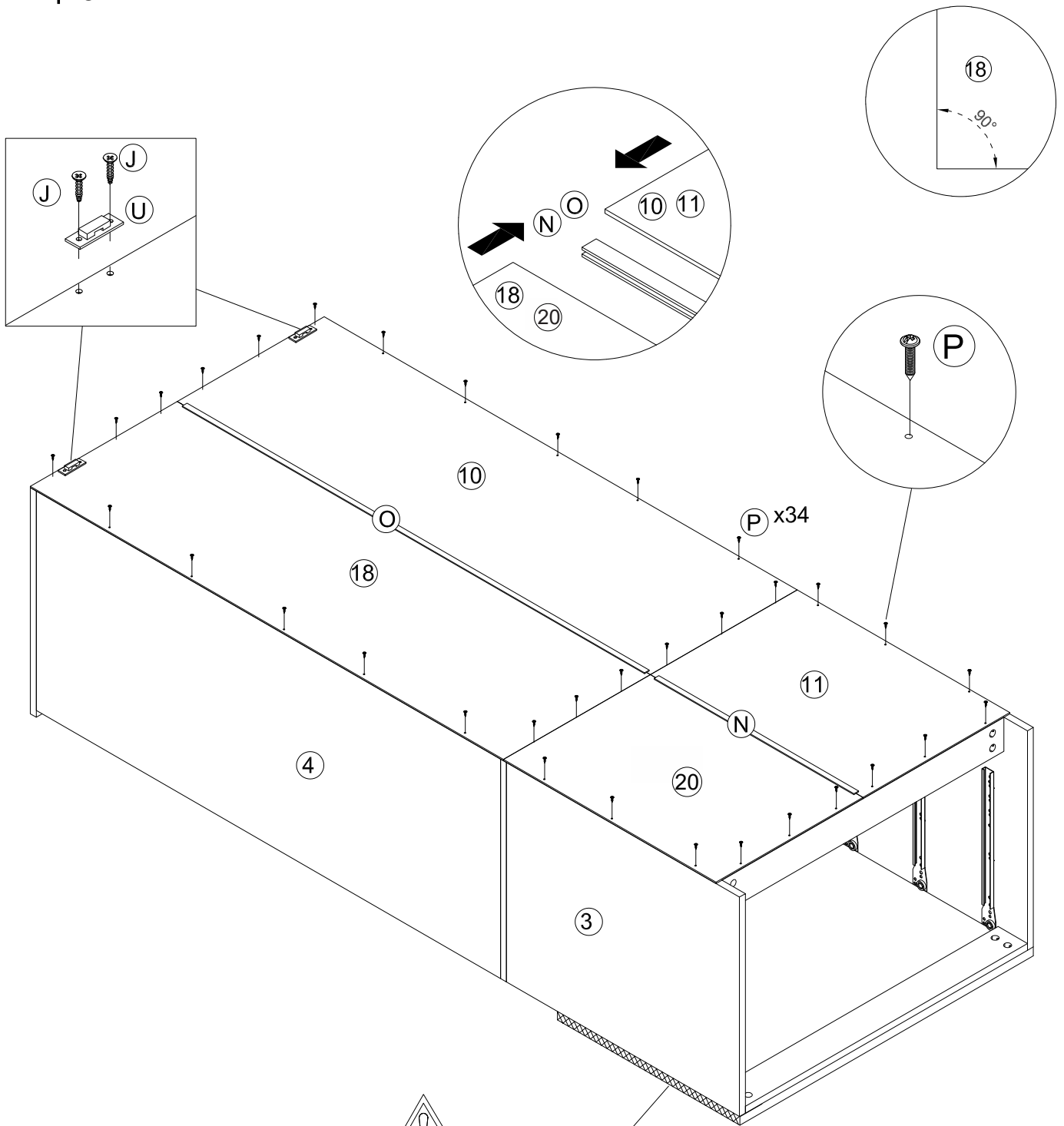
Step 7



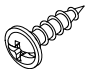
Step 8

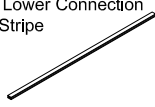


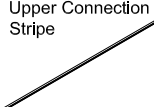
Step 9




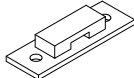
Put a foam under

(P) x34

 Backboard screws
 M2.5x14mm

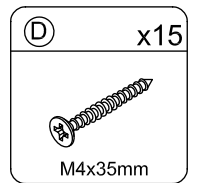
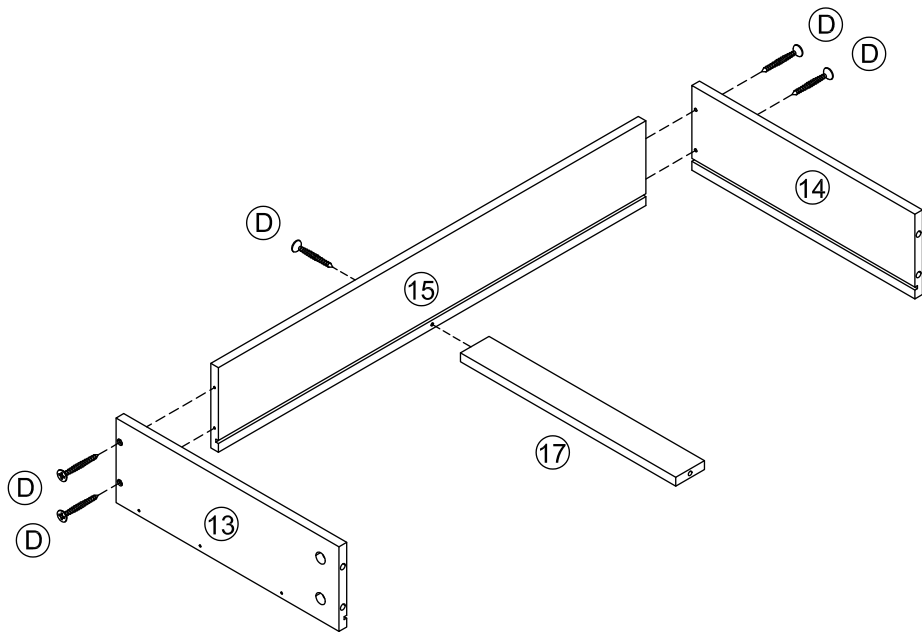
(N) x1
 Lower Connection
 Stripe


(O) x1
 Upper Connection
 Stripe


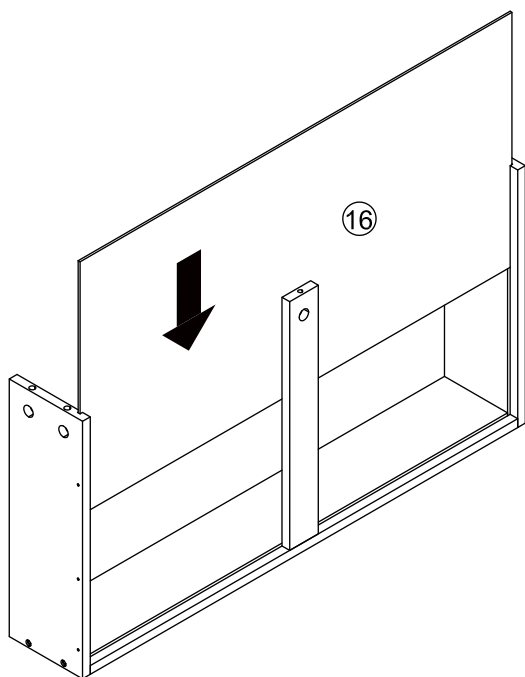
(J) x4

 M3.5x14mm

(U) x2

 Bracket

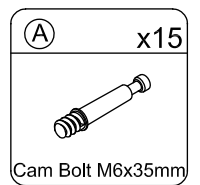
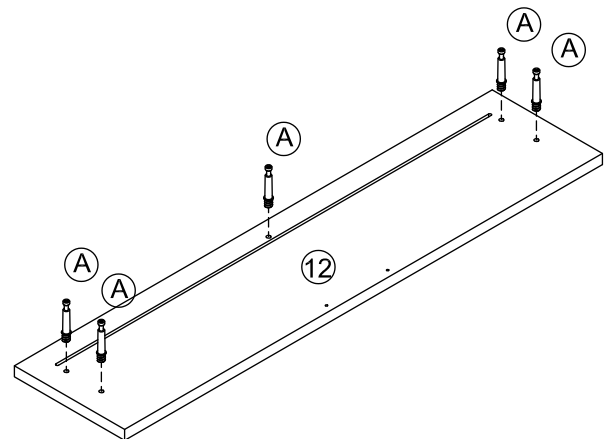
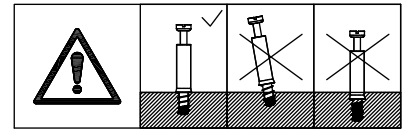
Step 10
x3



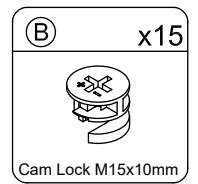
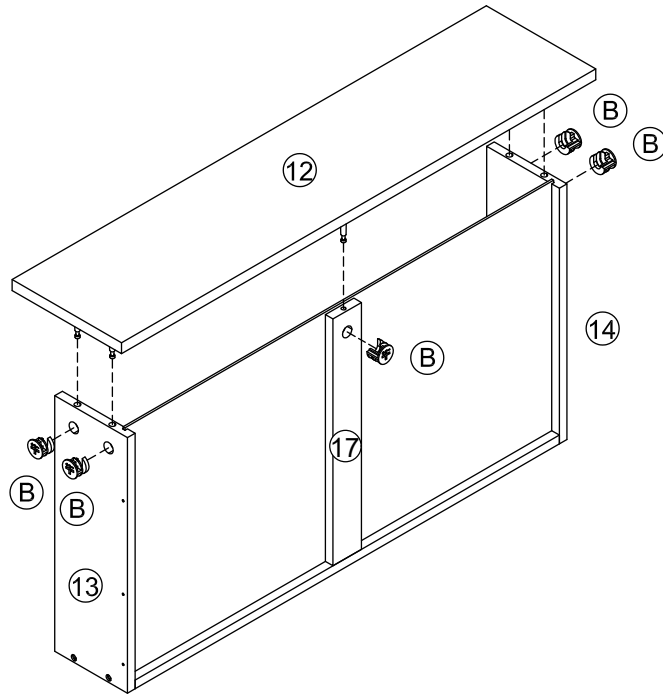
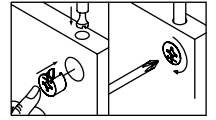
Step 11
x3



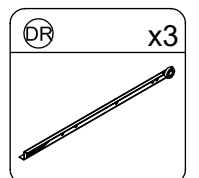
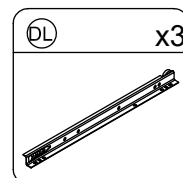
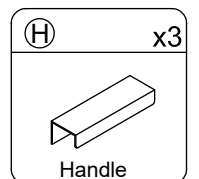
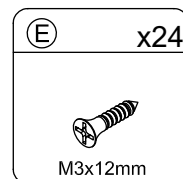
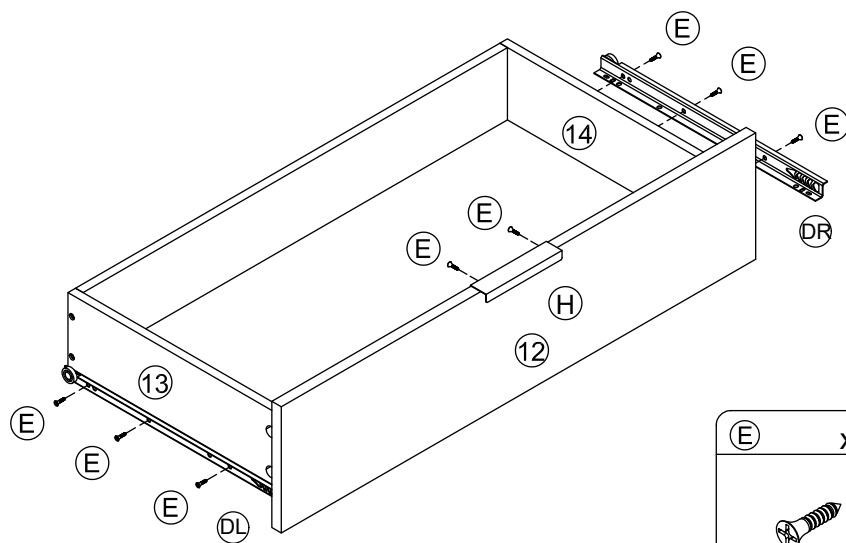
Step 12
x3



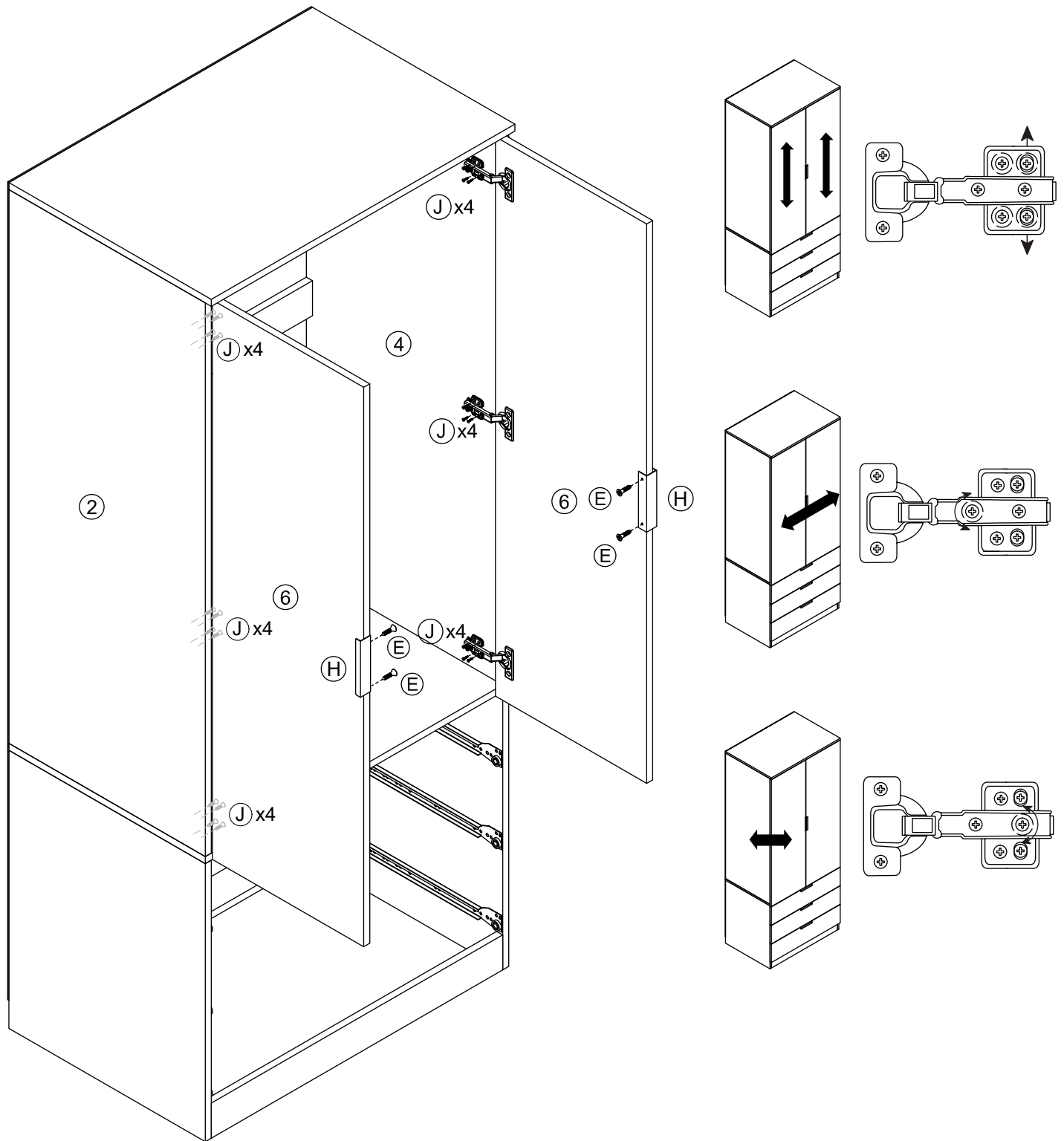
Step 13
x3






Step 14
x3

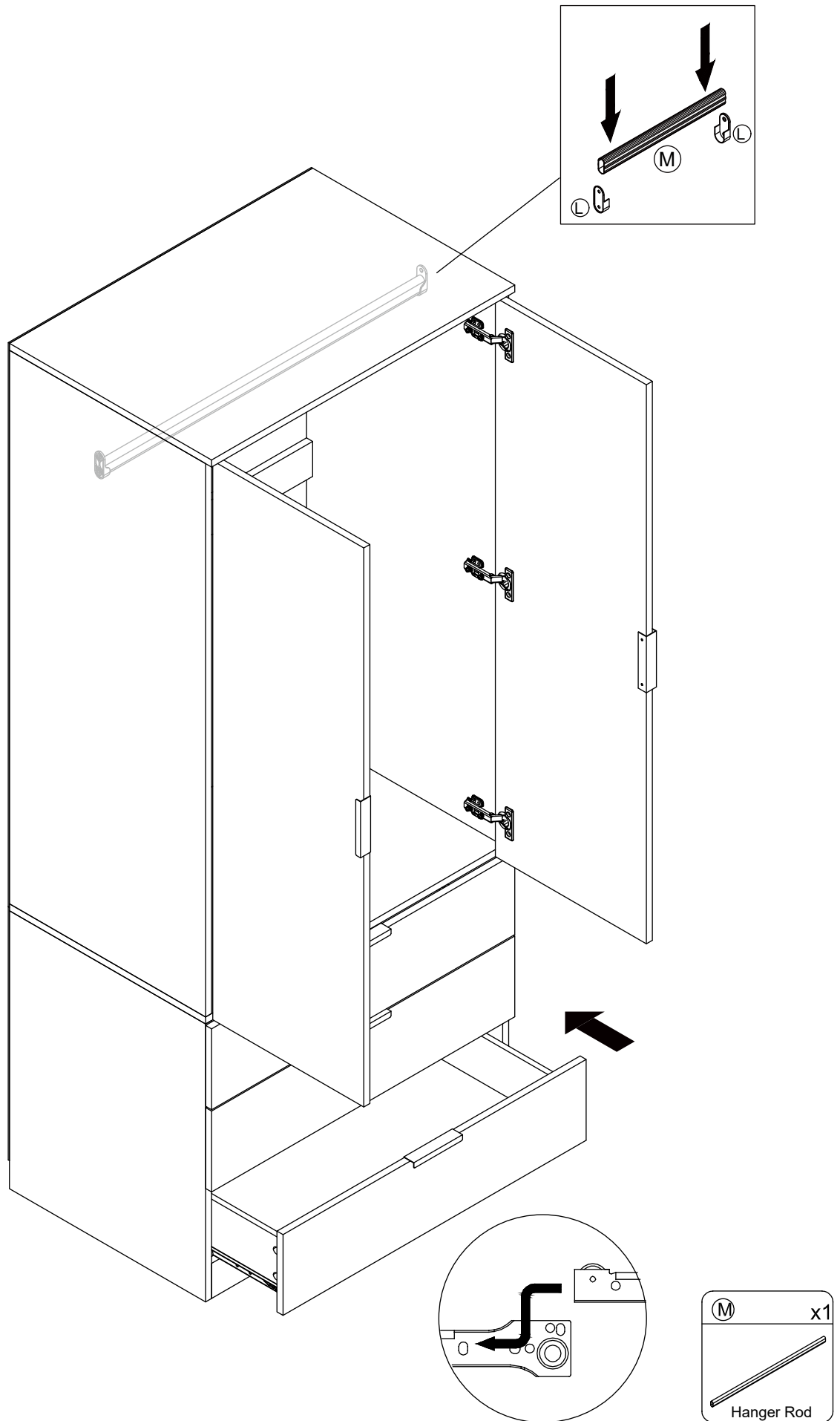


Step 15

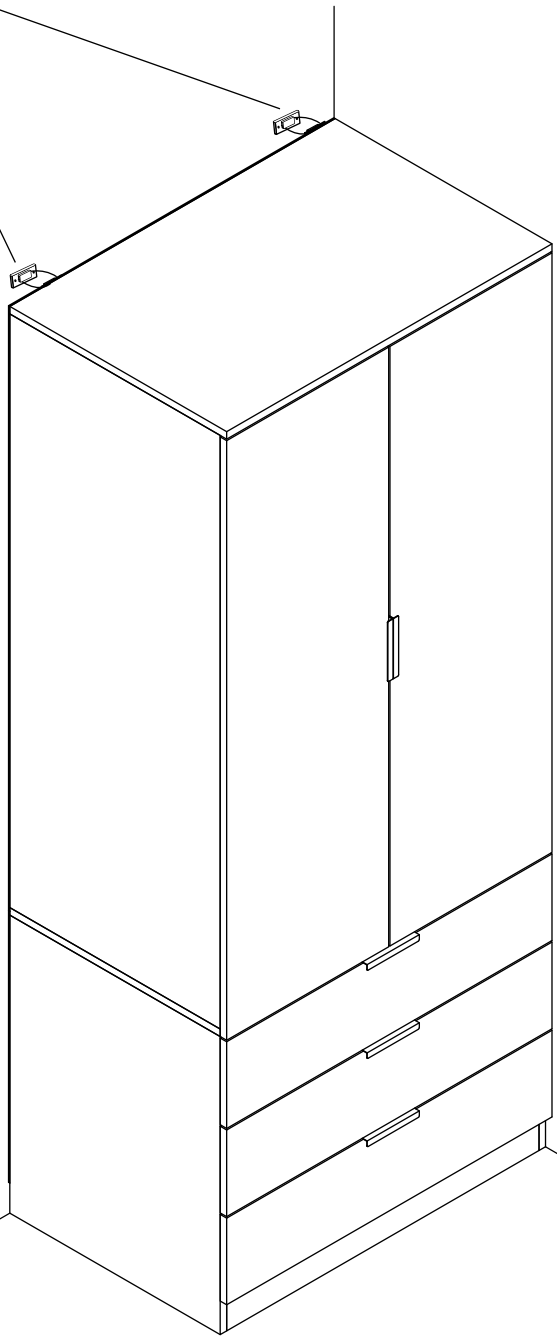
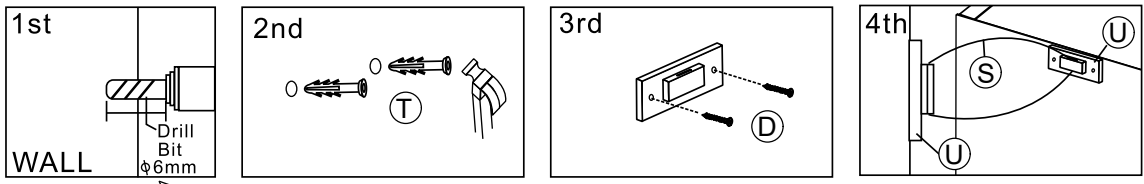


(E) x4	(J) x24	(H) x2
		
M3x12mm	M3.5x14mm	Handle

Step 16



Step 17



- | | |
|---------------------|-------------------|
| (D) x4
M4x35mm | (S) x2
Strap |
| (T) x4
Wall Plug | (U) x2
Bracket |

Assembly complete