

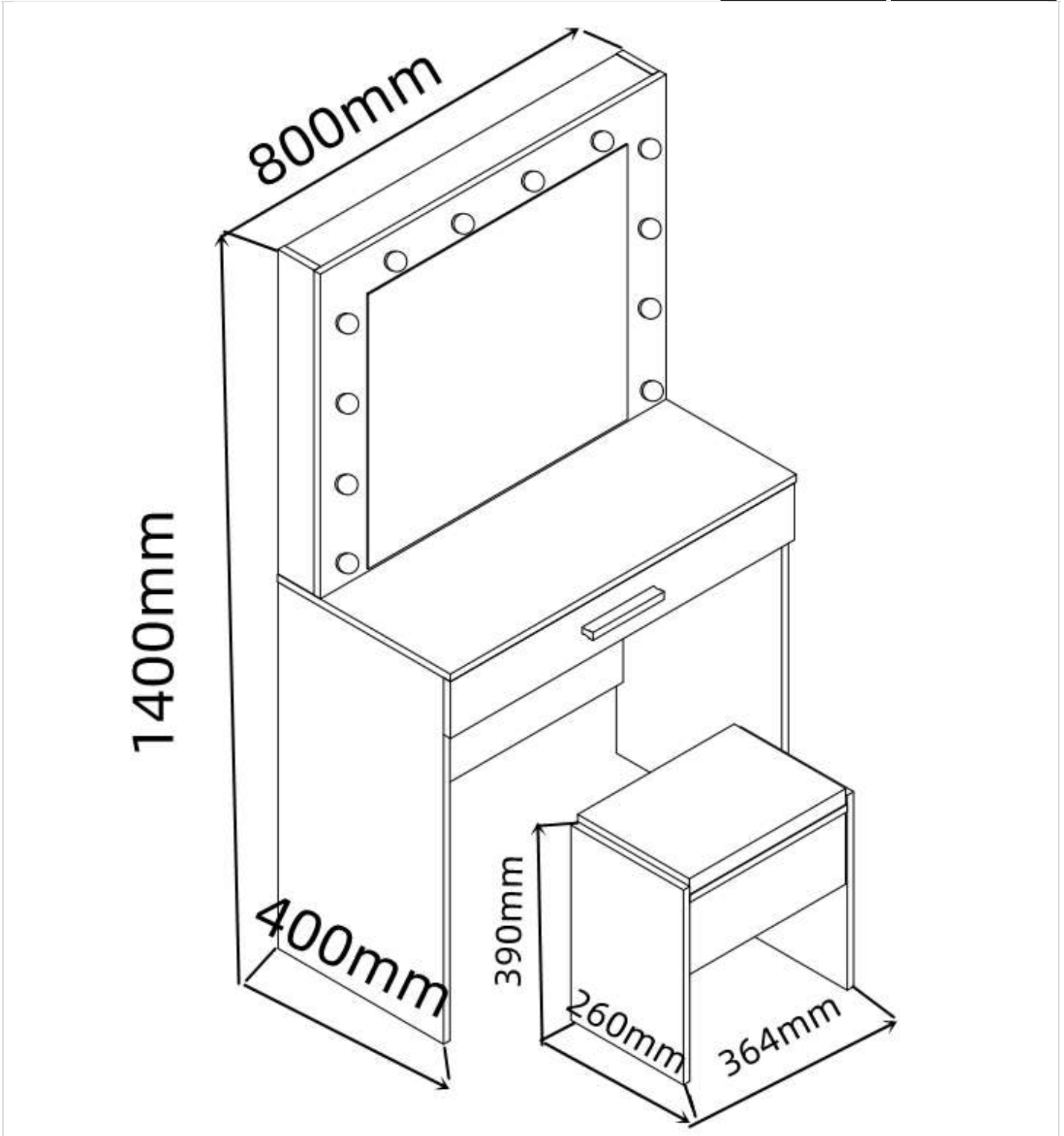
GLOBAL PROCUREMENT AND MARKETING LIMITED


Dressing Table

Assembly Instructions – Please keep for future reference

DRSELLBLK

DRSELLWHT



Dimensions	No. people	Assembly Time	OW #
Width: 80 cm Depth: 40cm Height: 140cm		50 mins (approx.)	DRSELLBLK DRSELLWHT

thank you

For purchasing this
GPM Limited
product

Important – Please read these instructions fully before starting assembly

If you need help or have damaged or missing parts, please email aftersales@gpmfurniture.co.uk

Safety and Care Advice

Important – Please read these instructions fully before starting assembly

- Check you have all the components and tools listed on pages 4 and 5.
- Remove all fittings from the plastic bags and separate them into their groups.
- Keep children and animals away from the work area, small parts could choke if swallowed.
- Make sure you have enough space to lay out the parts before starting.
- Do not stand or put weight on the product, this could cause damage.
- Assemble the item as close to its final position (in the same room) as possible.
- Assemble on a soft, level surface to avoid damaging the unit or your floor.
- We do not recommend the use of power drill/drivers for inserting screws, as this could damage the unit. Only use hand screwdrivers.
- Dispose of all packaging carefully and responsibly.



Care and Maintenance

- Only clean using a damp cloth and mild detergent, do not use bleach or abrasive cleaners.
- From time to time check that there are no loose screws on this unit.
- This product should not be discarded with household waste. Take to your local authority waste disposal centre.

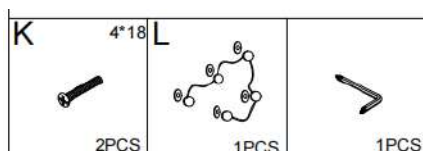
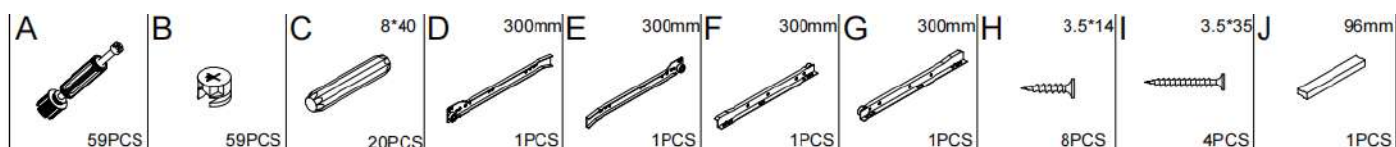
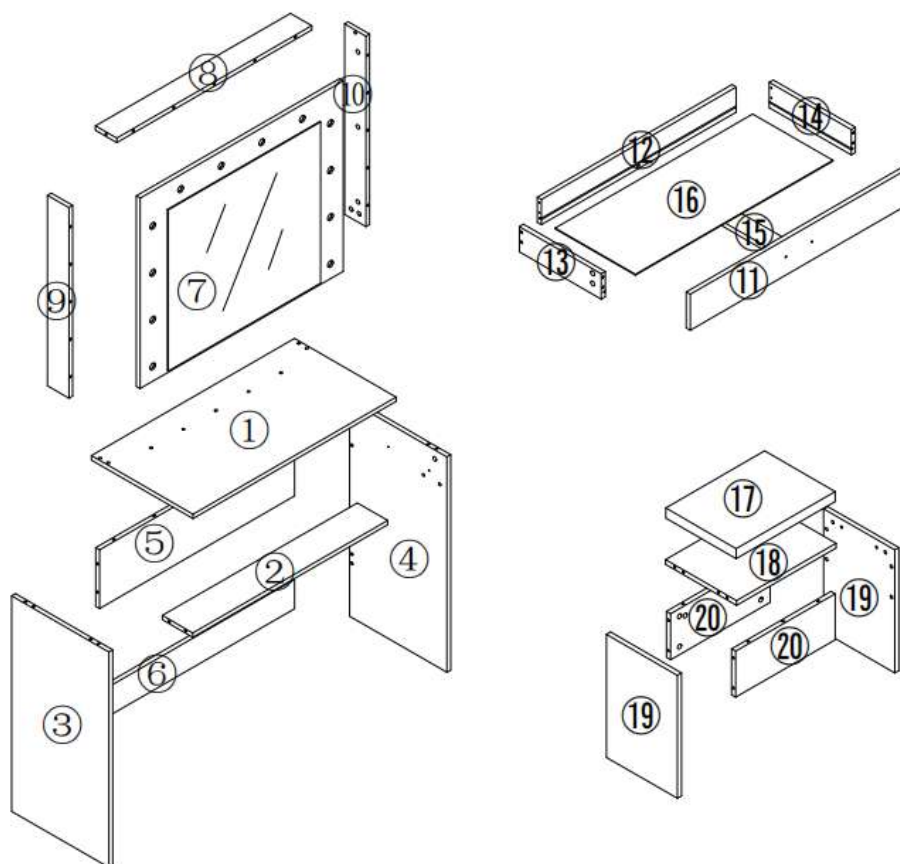
If kept outside please ensure in the winter months that the product is correctly covered or put away into a dry environment to prevent corrosion, weathering or damage.

If your product is not designed to be outside, we recommend that it is always kept indoors in a dry environment.

If you are unhappy with the product and wish to return it, please follow the retailer's returns procedure.

Exploded View

If you have damaged or missing components,
email: aftersales@gpmfurniture.co.uk



Components - Panels

If you have damaged or missing components,
email: aftersales@gpmfurniture.co.uk

Please check that you have all the components listed below before constructing your item.

Part No	Description	Qty	Size (mm)	Thickness (mm)
1	TABLE TOP PANEL	1	800*400	15
2	CONNECTOR PANEL	1	768*120	15
3	LEFT SIDE PANEL	1	735*383	15
4	RIGHT SIDE PANEL	1	735*383	15
5	BACK PANEL	1	768*200	15
6	CONNECTOR PANEL	1	768*100	15
7	MIRROR PANEL	1	800*650	15
8	MIRROR HORIZONTAL PANEL	1	768*84	15
9	LEFT VERTICAL PANEL	1	650*84	15
10	RIGHT VERTICAL PANEL	1	650*84	15
11	DRAWER FACE	1	796*114	15
12	DRAWER STOPPER	1	713*80	15
13	LEFT DRAWER PANEL	1	300*80	15
14	RIGHT DRAWER PANEL	1	300*80	15
15	DRAWER BOTTOM SUPPORT	1	284*60	15
16	DRAWER BOTTOM PANEL	1	723*294	3
17	PU CUSHION	1	362*258	32
18	STOOL FACE PANEL	1	364*260	15
19	STOOL SIDE PANEL	2	390*260	15
20	STOOL CONNECTOR	2	364*146	15

Important – Please read these instructions fully before starting assembly



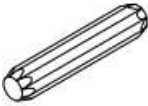



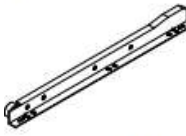
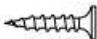
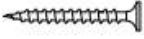


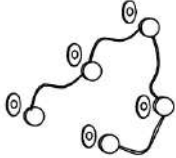

If you need help or have damaged or missing parts, please email aftersales@gpmfurniture.co.uk

Components - Fixings

If you have damaged or missing components,
email: aftersales@gpmfurniture.co.uk

Please check that you have all the components listed below before constructing your item.

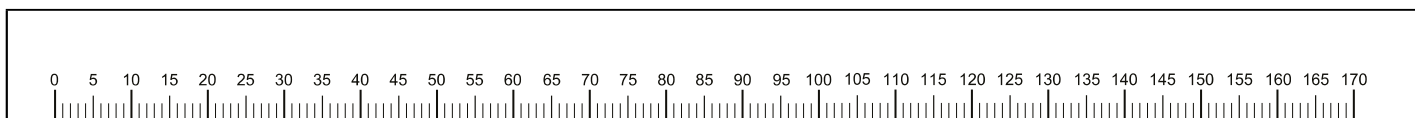
Note: The quantities below are the correct amount to complete the assembly. In some cases more fittings may be supplied than are required.

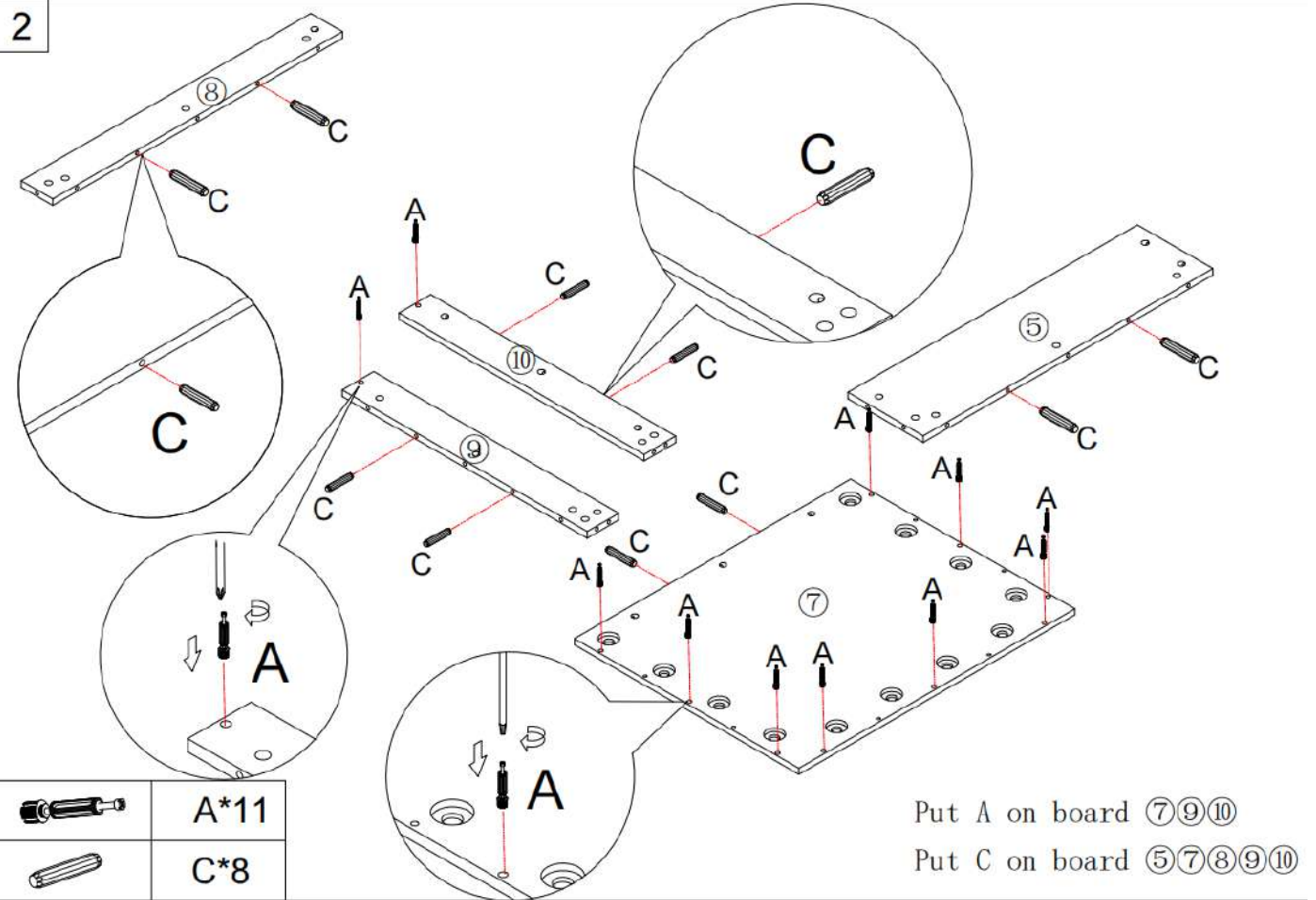
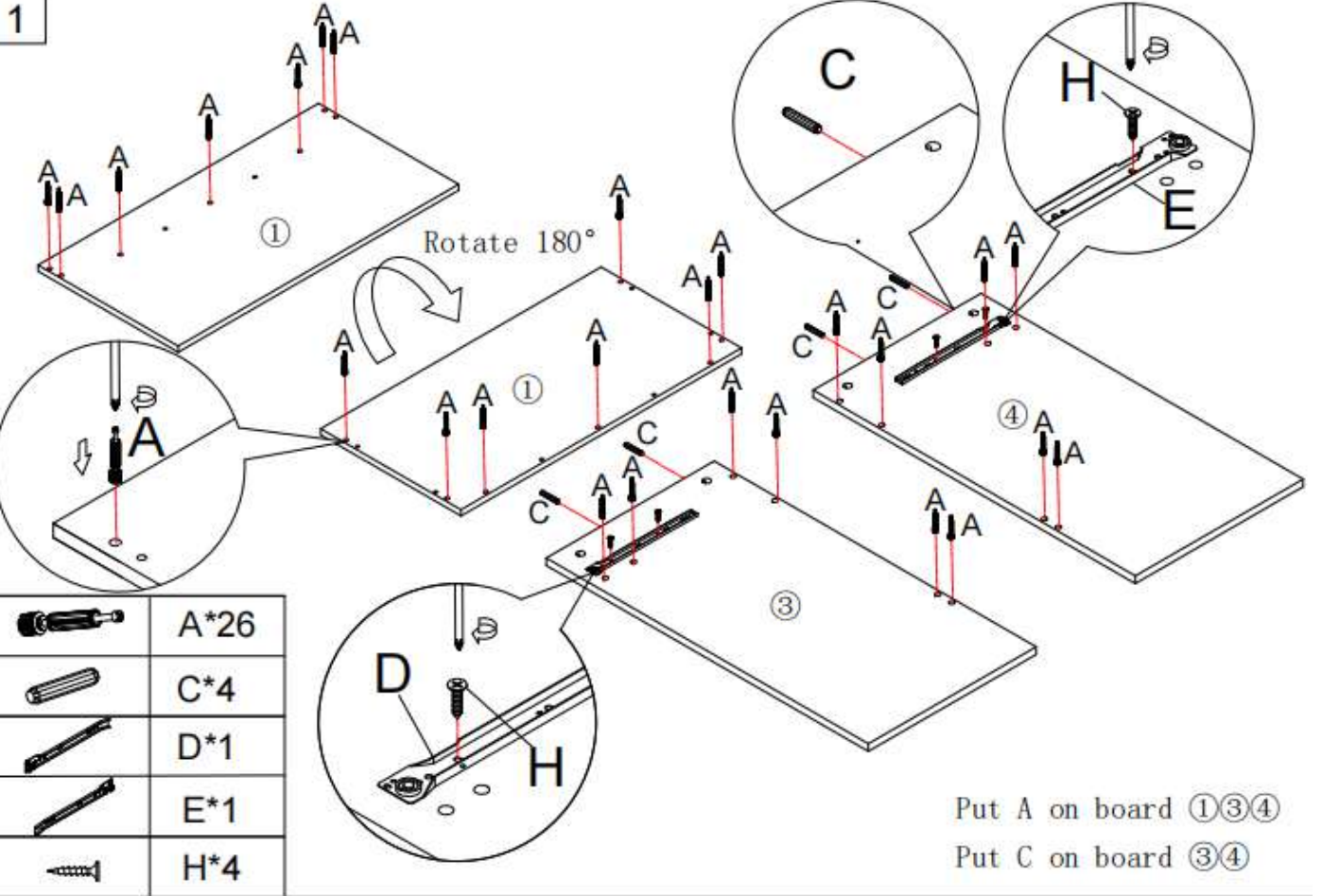
(A)	 59PCS	(B)	 59PCS	(C)	 8*40 20PCS	(D)	 300mm 1PCS
(E)	 300mm 1PCS	(F)	 300mm 1PCS	(G)	 300mm 1PCS	(H)	 3.5*14 8PCS
(I)	 3.5*35 4PCS	(J)	 96mm 1PCS	(K)	 4*18 2PCS	(L)	 1PCS
	 1PCS	(N)		(O)		(P)	
(Q)		(R)		(S)		(T)	
(U)		(V)		(W)		(X)	

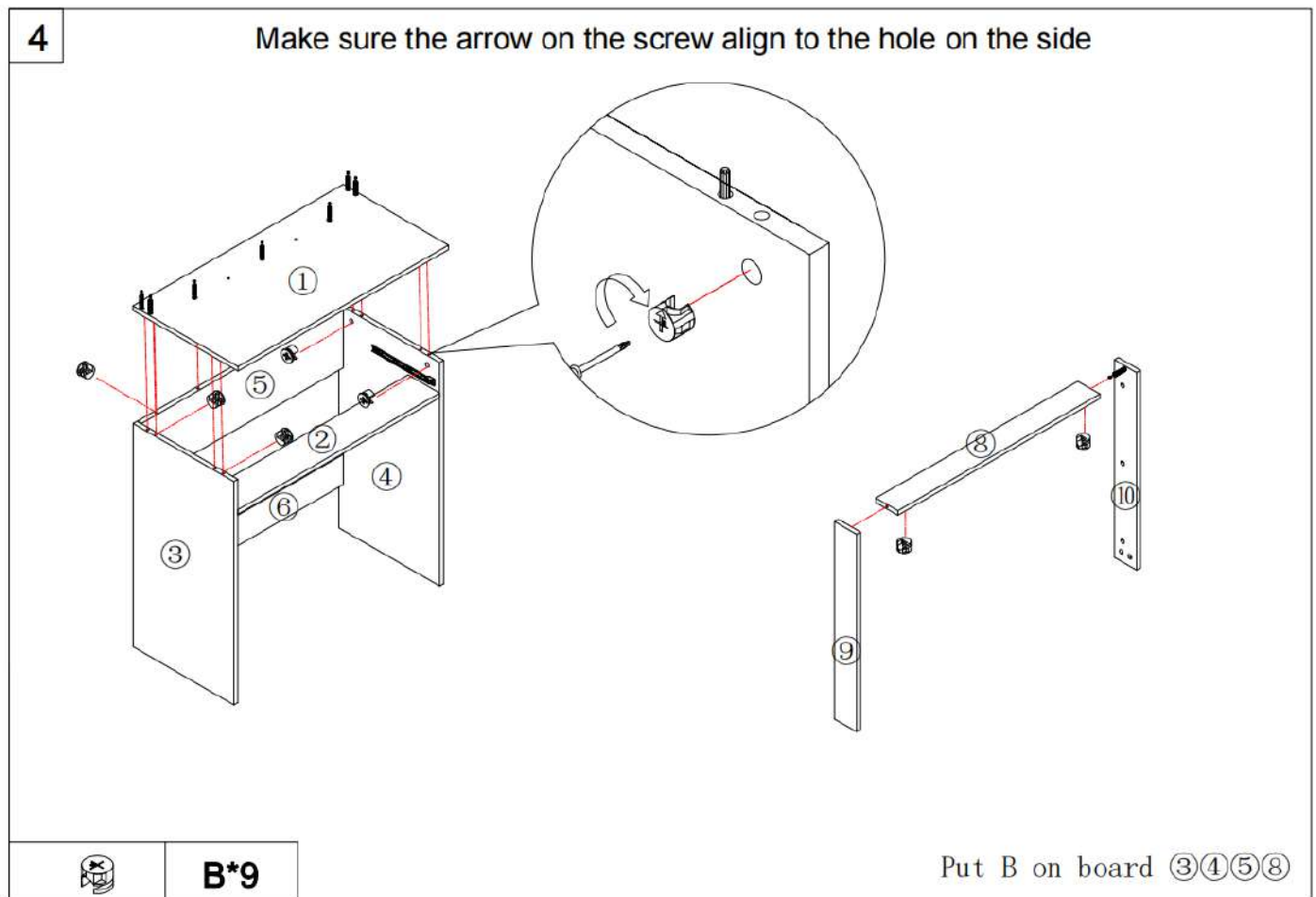
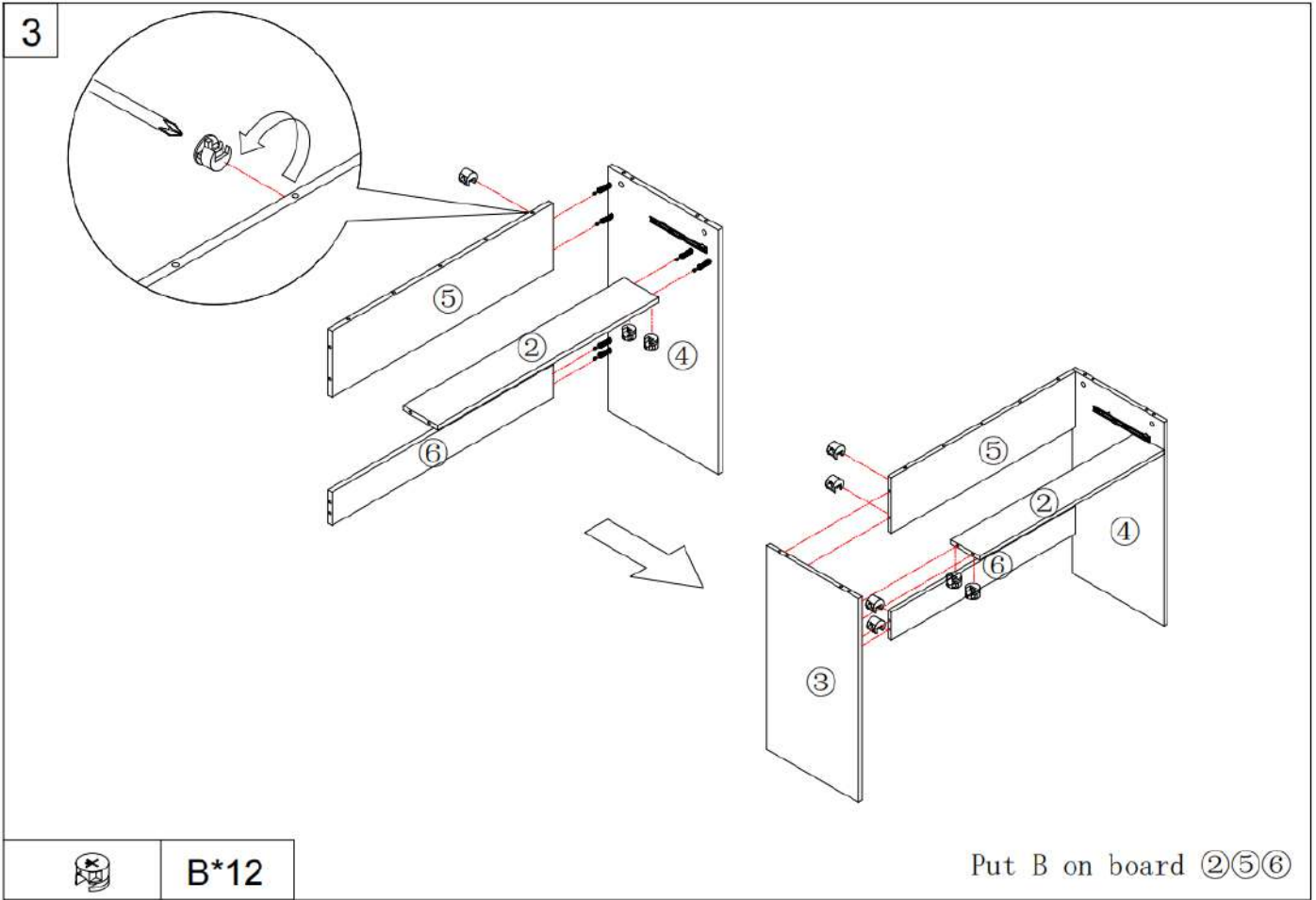
Tools Required



Ruler – Use this to measure your screws (mm)

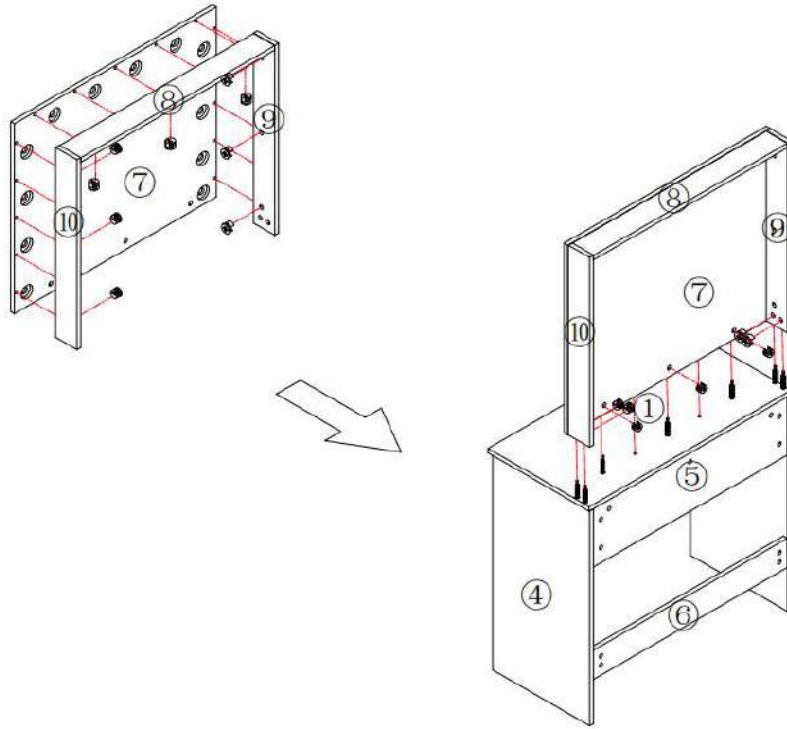






Step 5

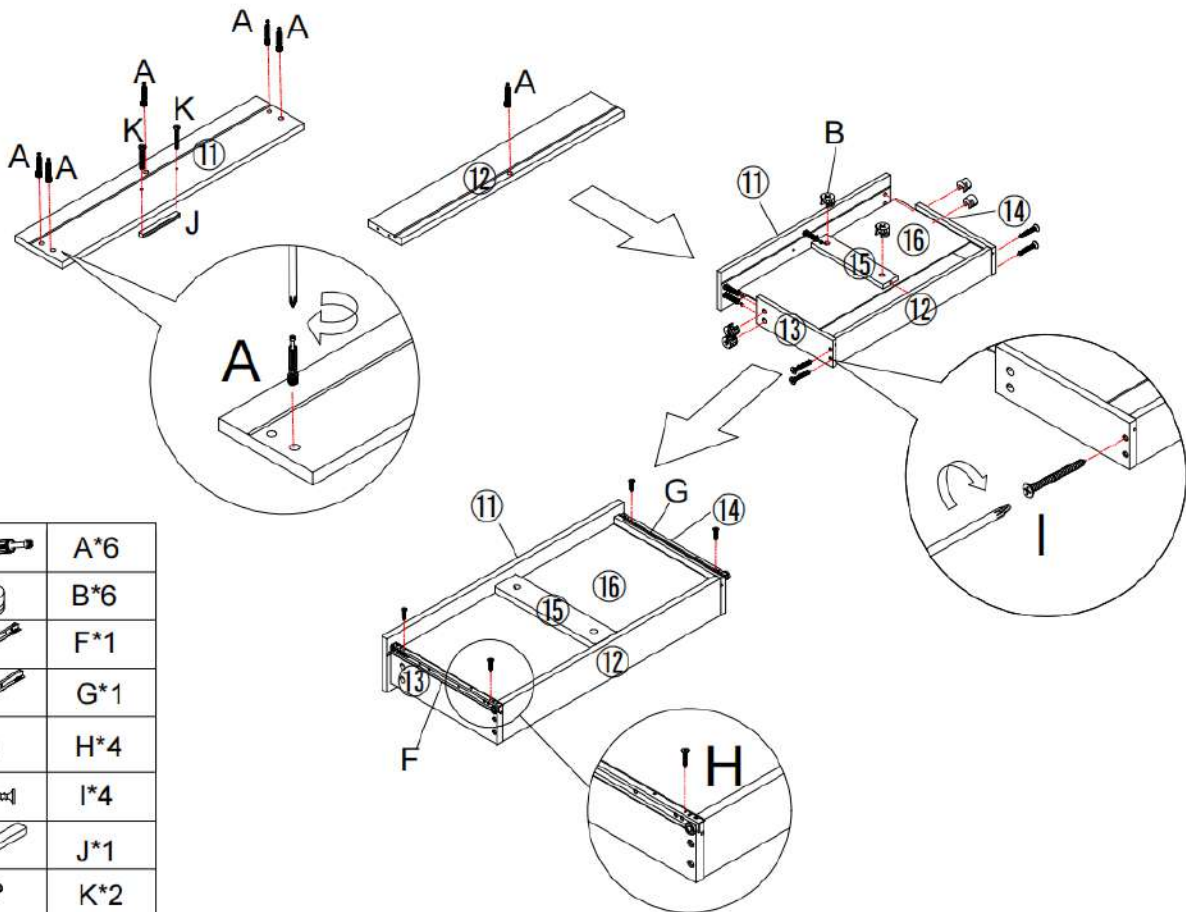
5



B*16

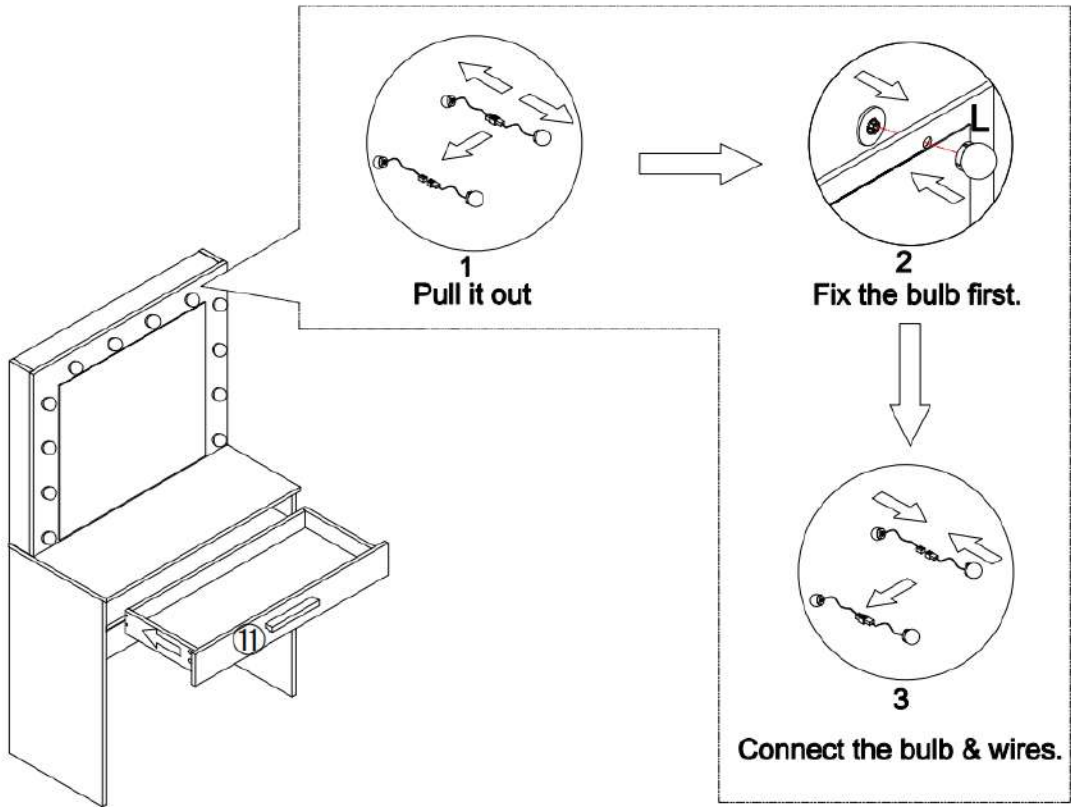
Put B on board ⑦⑧⑨⑩

6



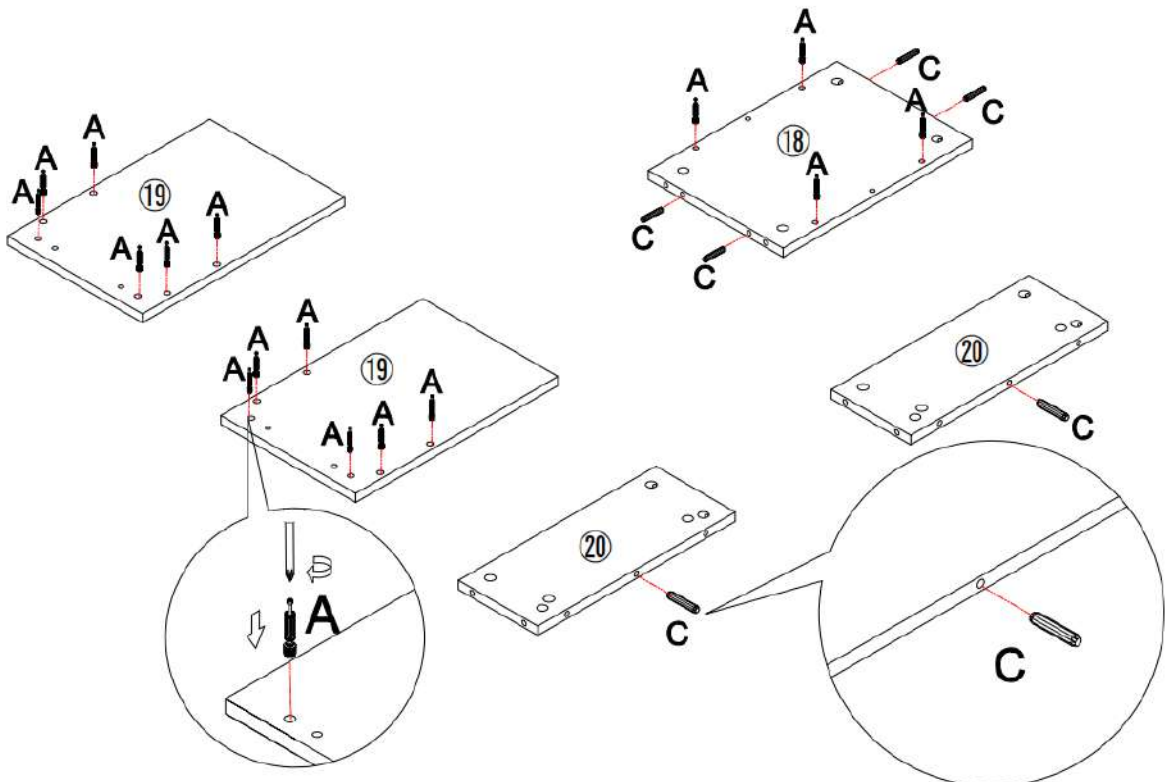
	A*6
	B*6
	K*2
	F*1
	G*1
	H*4
	I*4
	J*1
	K*2

7



L*1

8



Put A on board 18/19

Put C on board 18/20

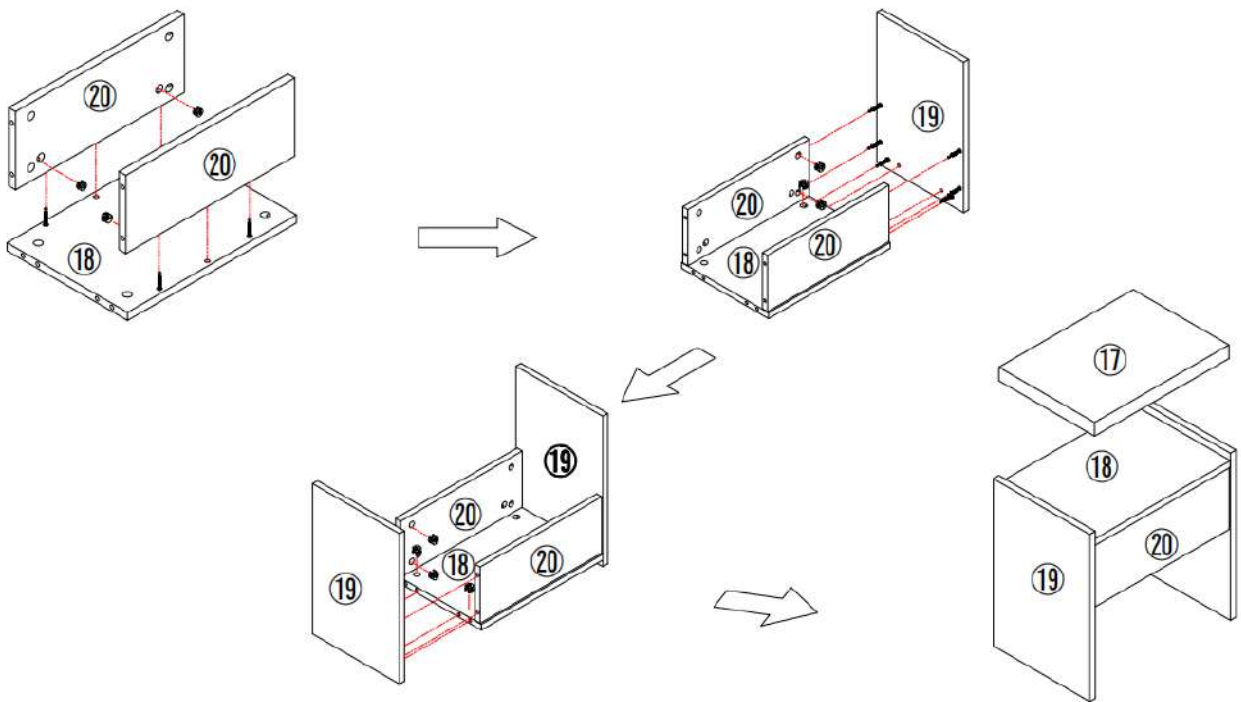


A*16



C*6

9



B*16

Put B on board 18/20

10

