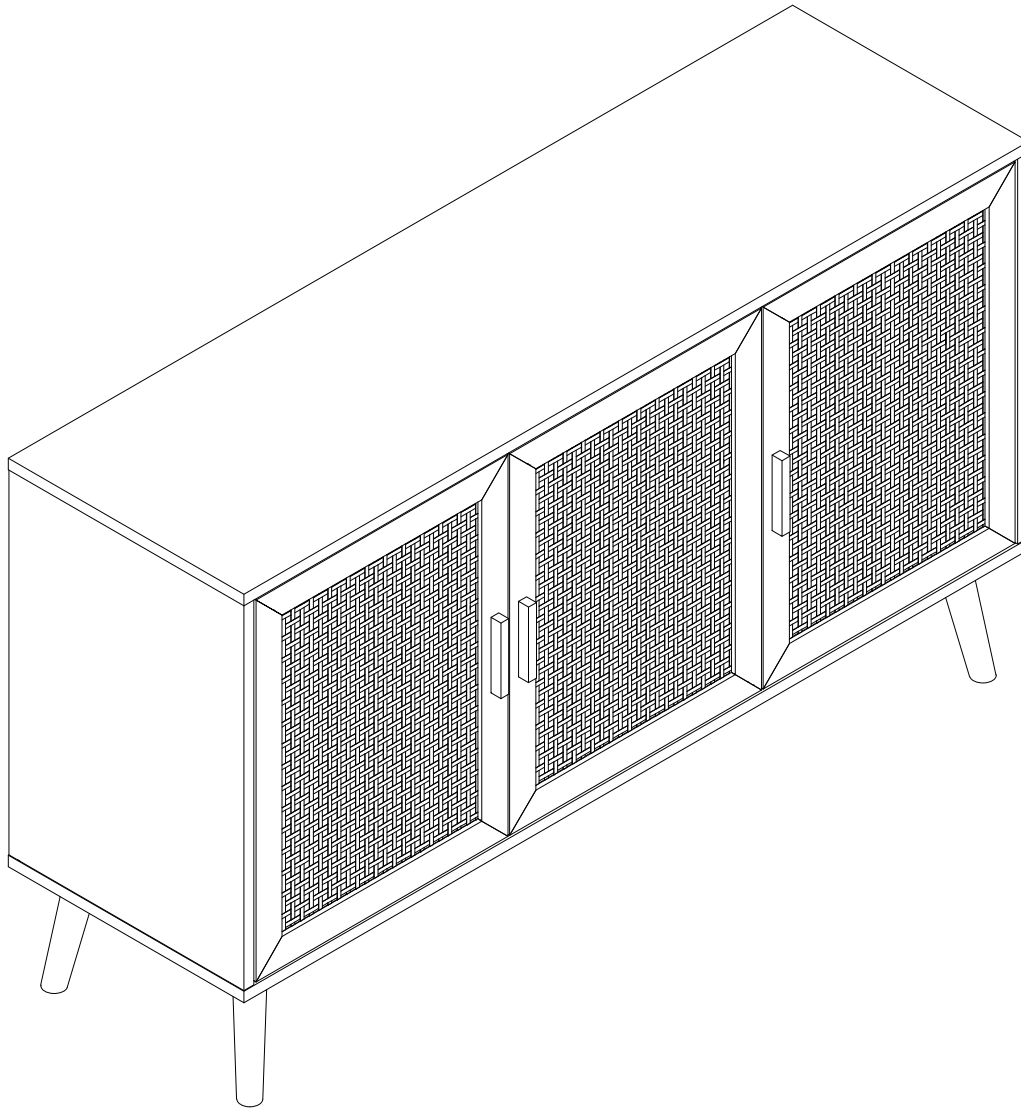



GOLBAL PROCUREMENT AND MARKETING LIMITED

ASTBURY CABINET WITH 3 DOOR

Assembly instruction- Please keep for future reference

SIDAST3DR



Dimensions	No. People	Assembly Time	OW#
Width: 120 cm Depth: 36 cm Height: 70 cm		60 mins (approx)	SIDAST3DR

thank you

For purchasing this
GPM Limited
product

Important-Please read these instructions fully before starting assembly

If you need help or have damaged or missing parts, please email aftersales@gpmfurniture.co.uk

⚠ Safety and Care Advice

Important-Please read these instructions fully before starting assembly

- Check you have all the components and tools listed on pages 2,3 and 4.
- Remove all fittings from the plastic bags and separate them into their groups.
- Keep children and animals away from the work area, small parts could choke if swallowed.
- Make sure you have enough space to lay out the parts before starting.
- Do not stand or put weight on the product, this could cause damage.
- Assemble the item as close to its final position (in the same room) as possible.
- Assemble on a soft, level surface to avoid damaging the unit or your floor.
- We do not recommend the use of power drill/drivers for inserting screw, as this could damage the unit. only use hand screwdrivers.
- Dispose of all packaging carefully and responsibly.

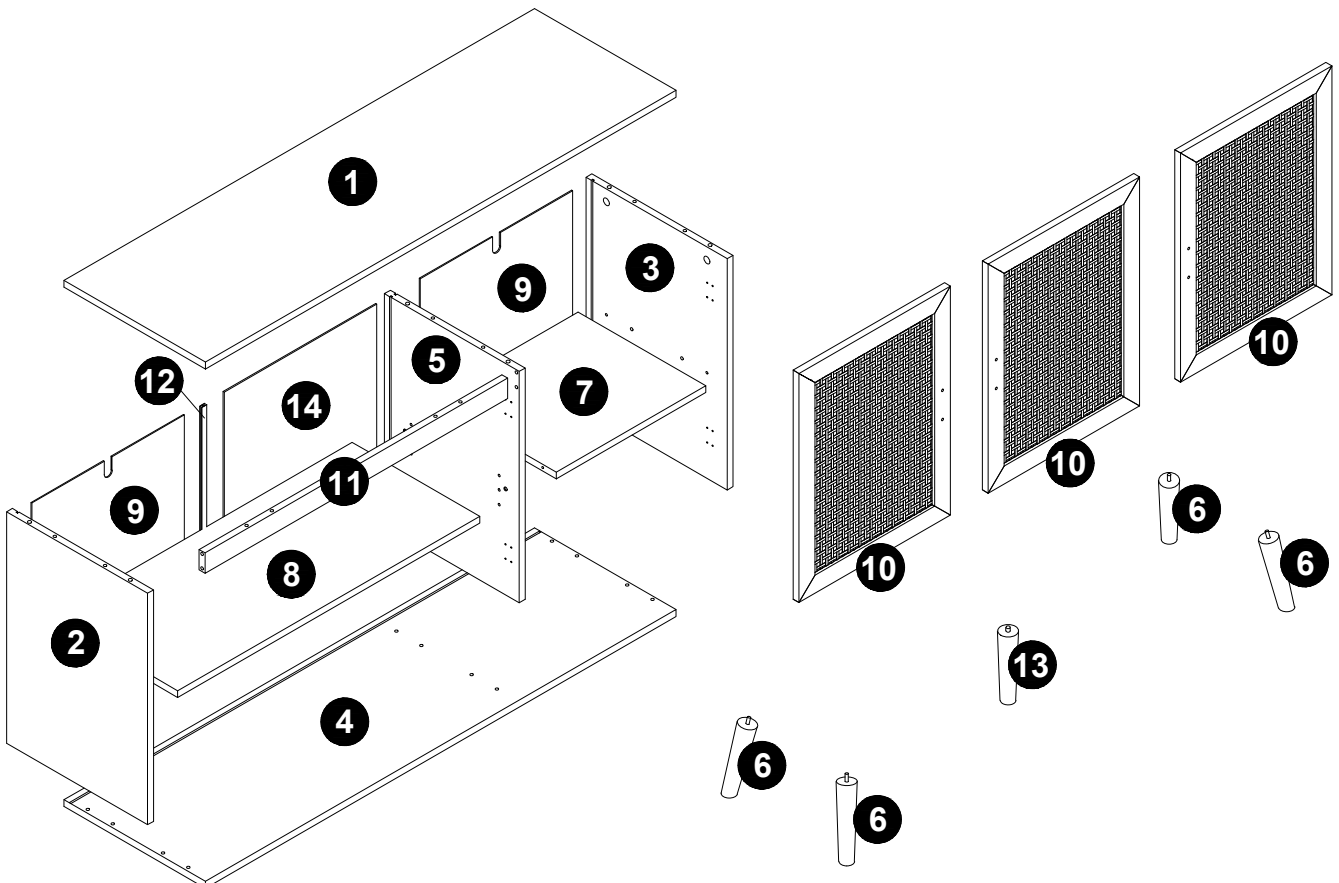


Care and Maintenance

- Only clean using a damp cloth and mild detergent, do not use bleach or abrasive cleaners.
- From time to time check that there are no loose screws on this unit.
- This product should not be discarded with household waste. Take to your local authority waste disposal centre.

If you are unhappy with the product and wish to return it, please following the retailer's returns procedure.

Components - Panels



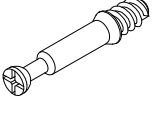

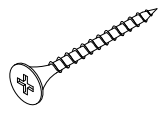
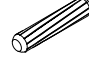
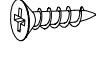

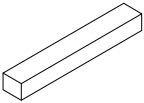
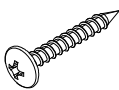
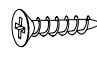

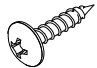
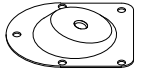

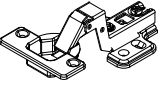
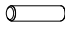
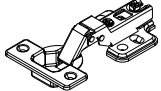
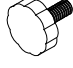
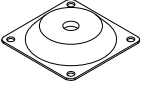
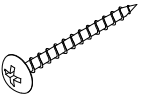
Components - Fixings

If you have damaged or missing components,
email: aftersales@gpmfurniture.co.uk

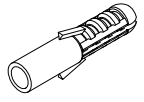
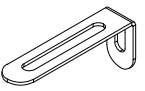
Please check that you have all the components listed below before constructing your item.

Note: The quantities below are the correct amount to complete the assembly. In some cases more fittings may be supplied than are required.

HARDWARE

(A)  M6x35mm x8	(B)  Ø15x9mm x8	(C)  M4x40mm x10	(D)  M6x30mm x22	(E)  M3.5x12mm x36	(F)  Ø25mm x4
(G)  x3	(H)  M4x25mm x6	(I)  M3x14mm x12	(J)  x12	(K)  M4x14mm x28	(L)  x4
(O)  Ø20mm x6	(P)  x4	(Q)  M5x20mm x4	(R)  x2	(S)  x1	(T)  x1
(U)  M4x35mm x2					

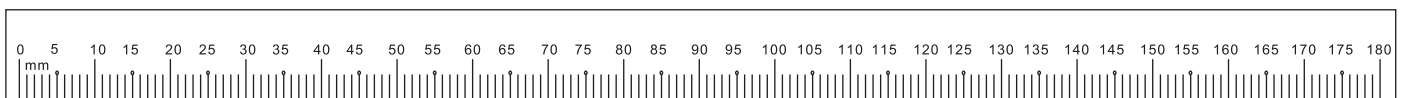
ANTI - TIPPING KITS

(M)  M6x30mm x2	(N)  x2
--	--

Tools Required (Not Provided)



Ruler - Use this to measure your screws (mm)



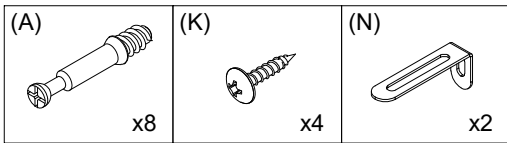
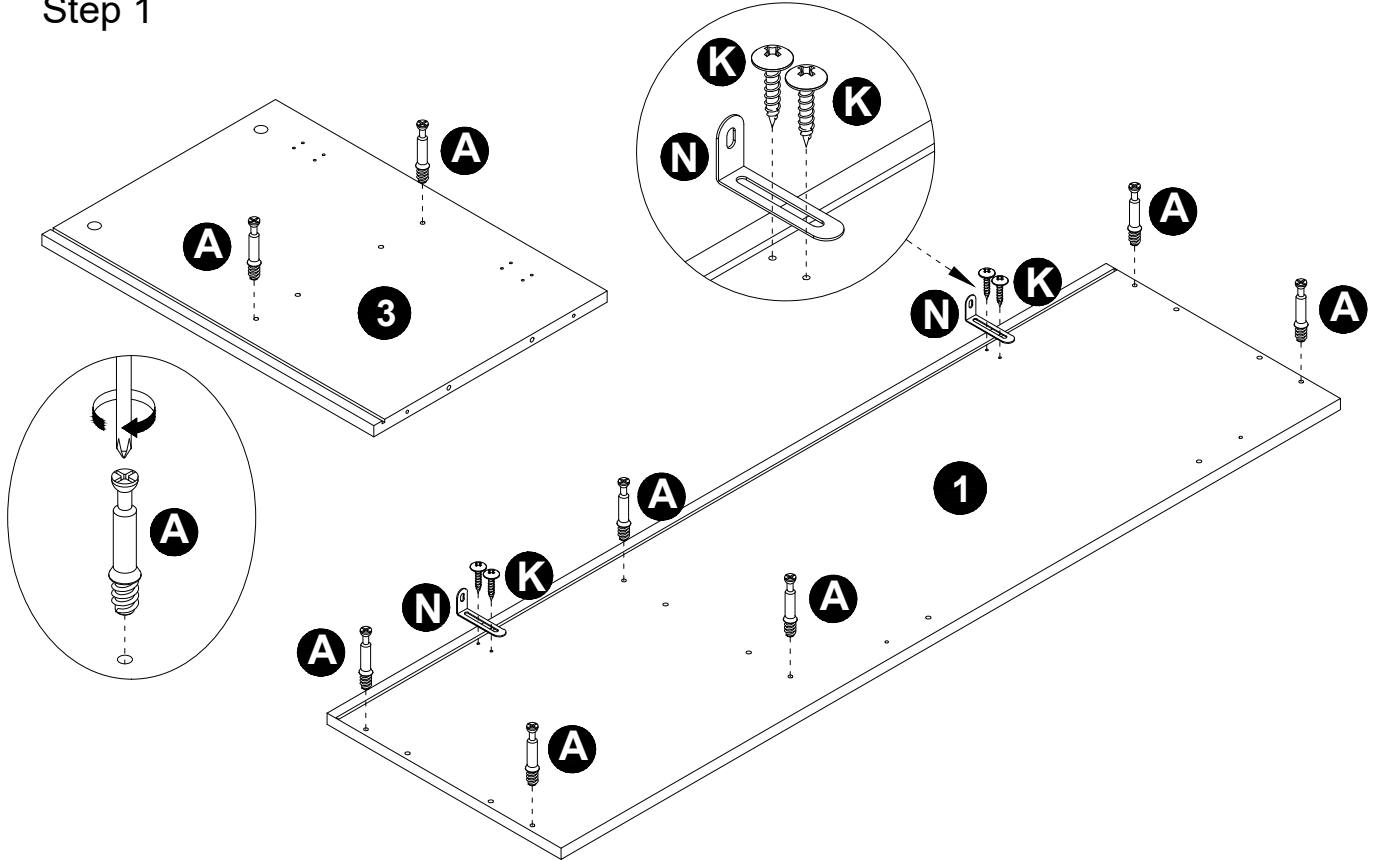
Important-Please read these instructions fully before starting assembly

If you need help or have damaged or missing parts, please email aftersales@gpmfurniture.co.uk

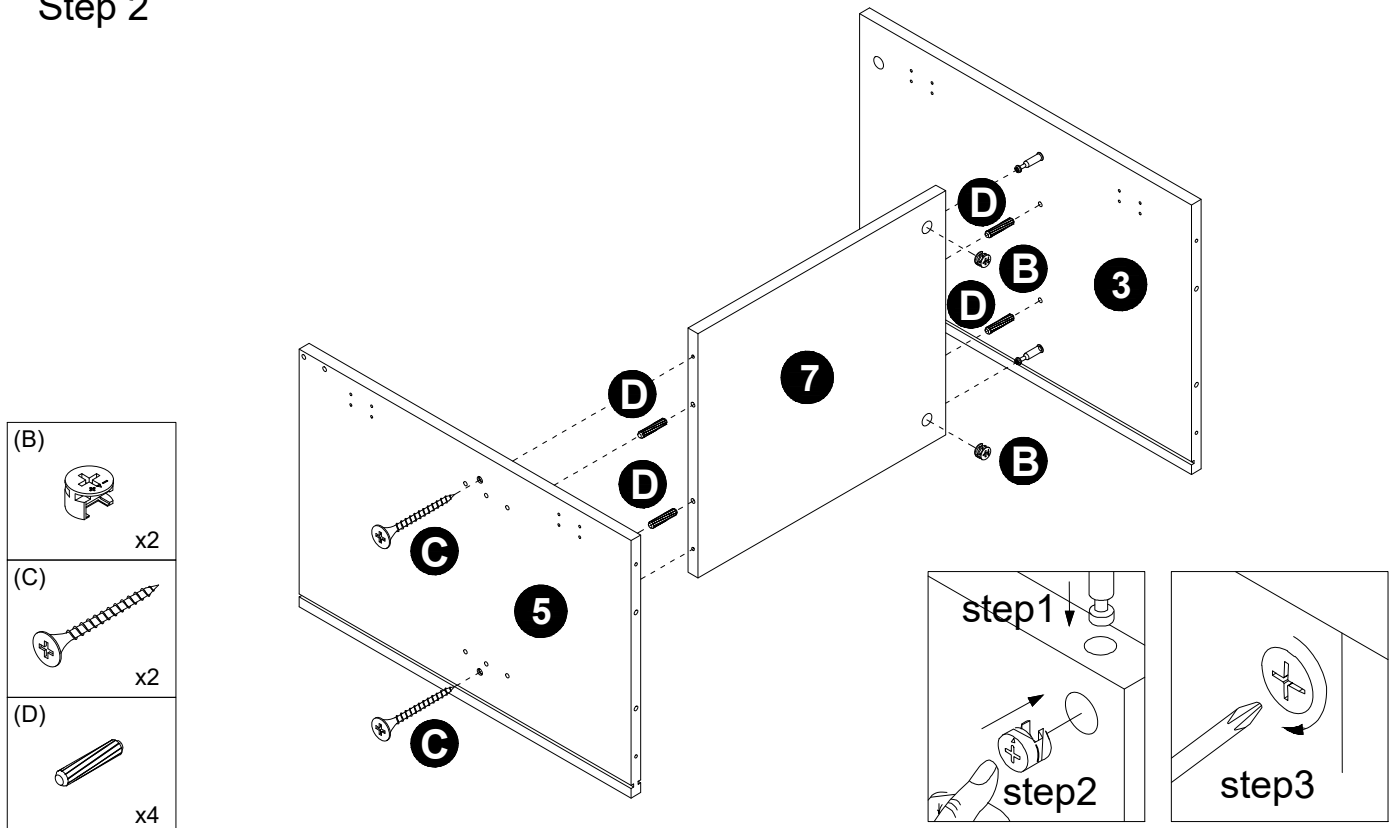
Assembly Instructions

If you have damaged or missing components,
email: aftersales@gpmfurniture.co.uk

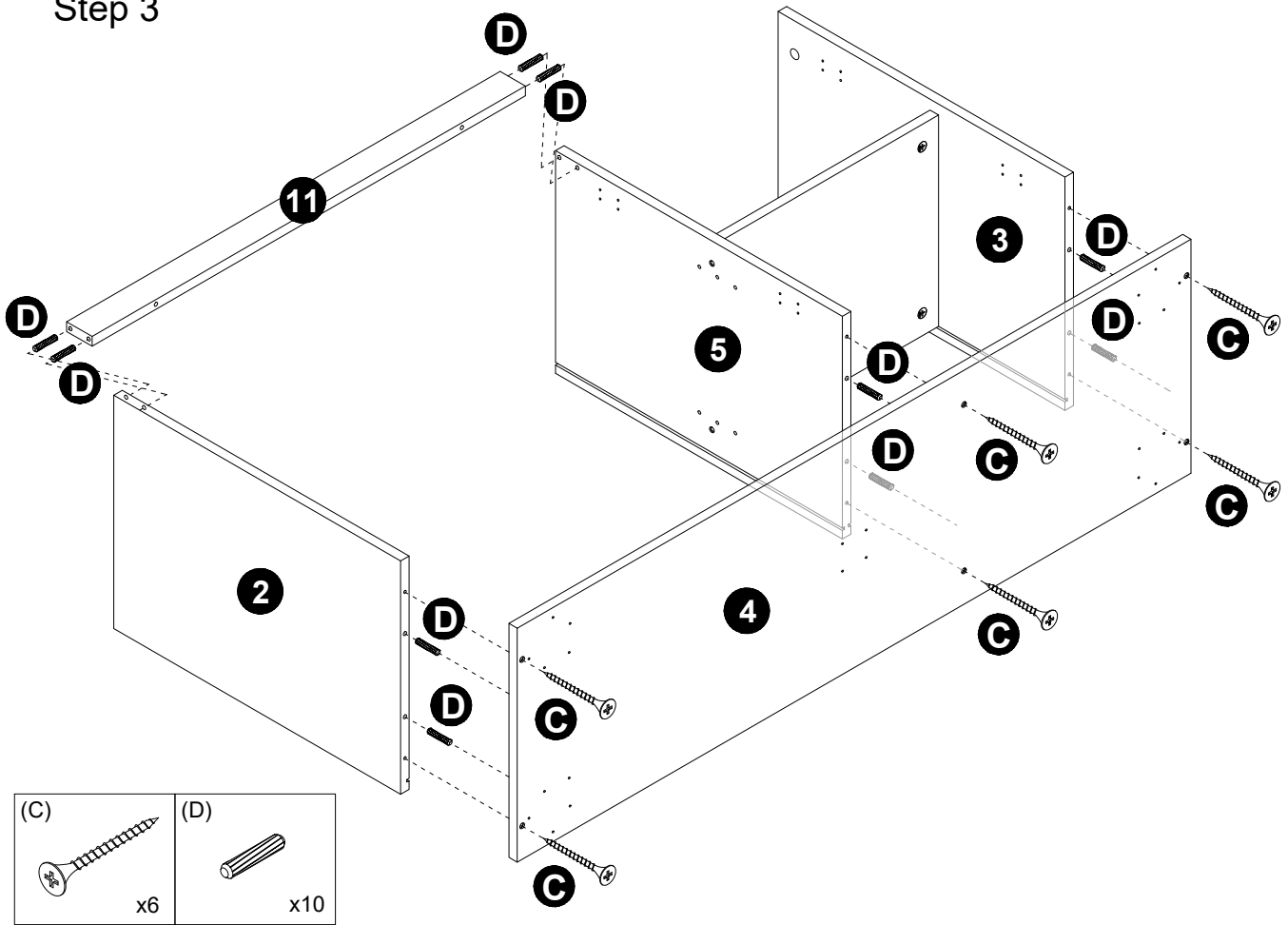
Step 1



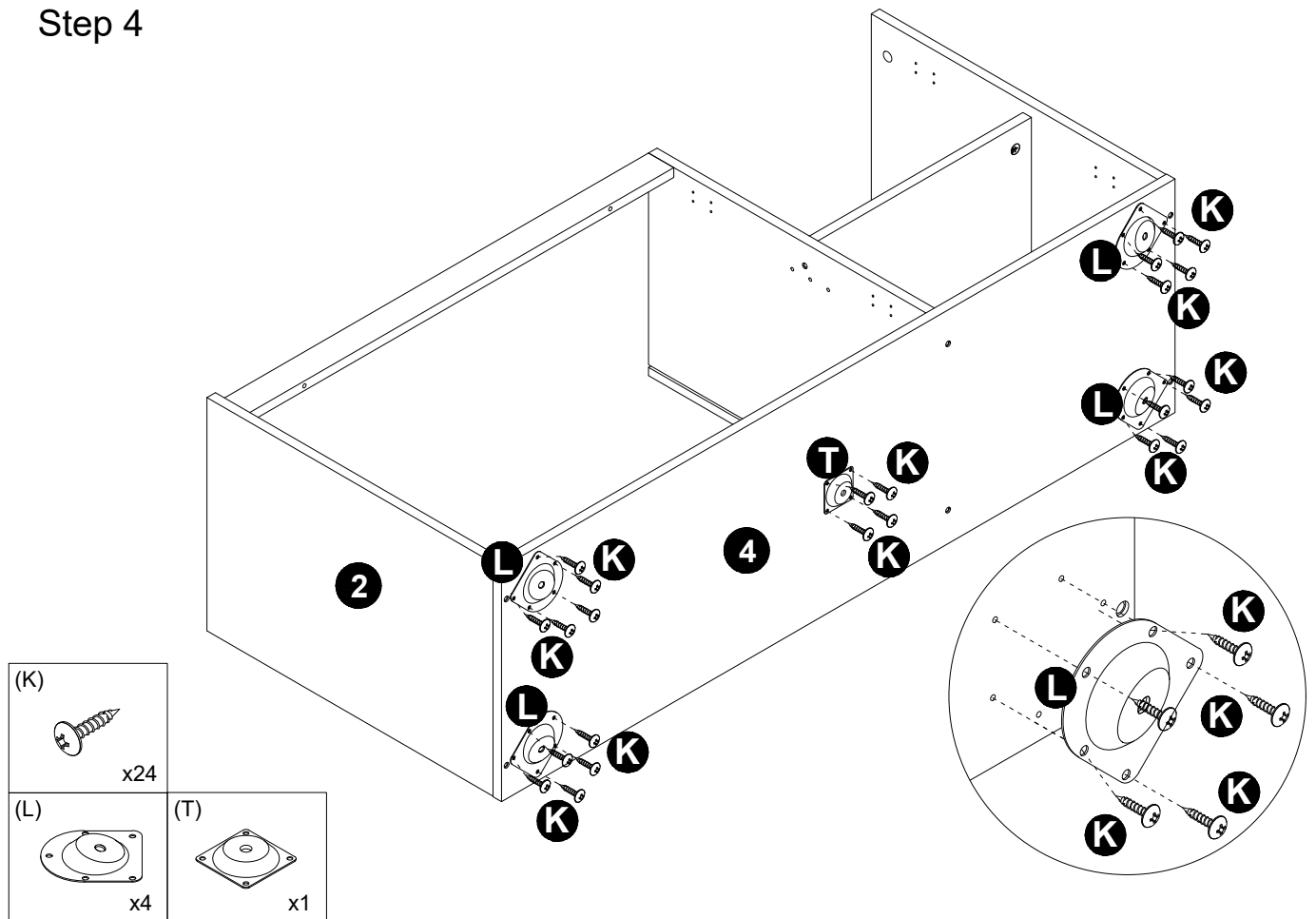
Step 2



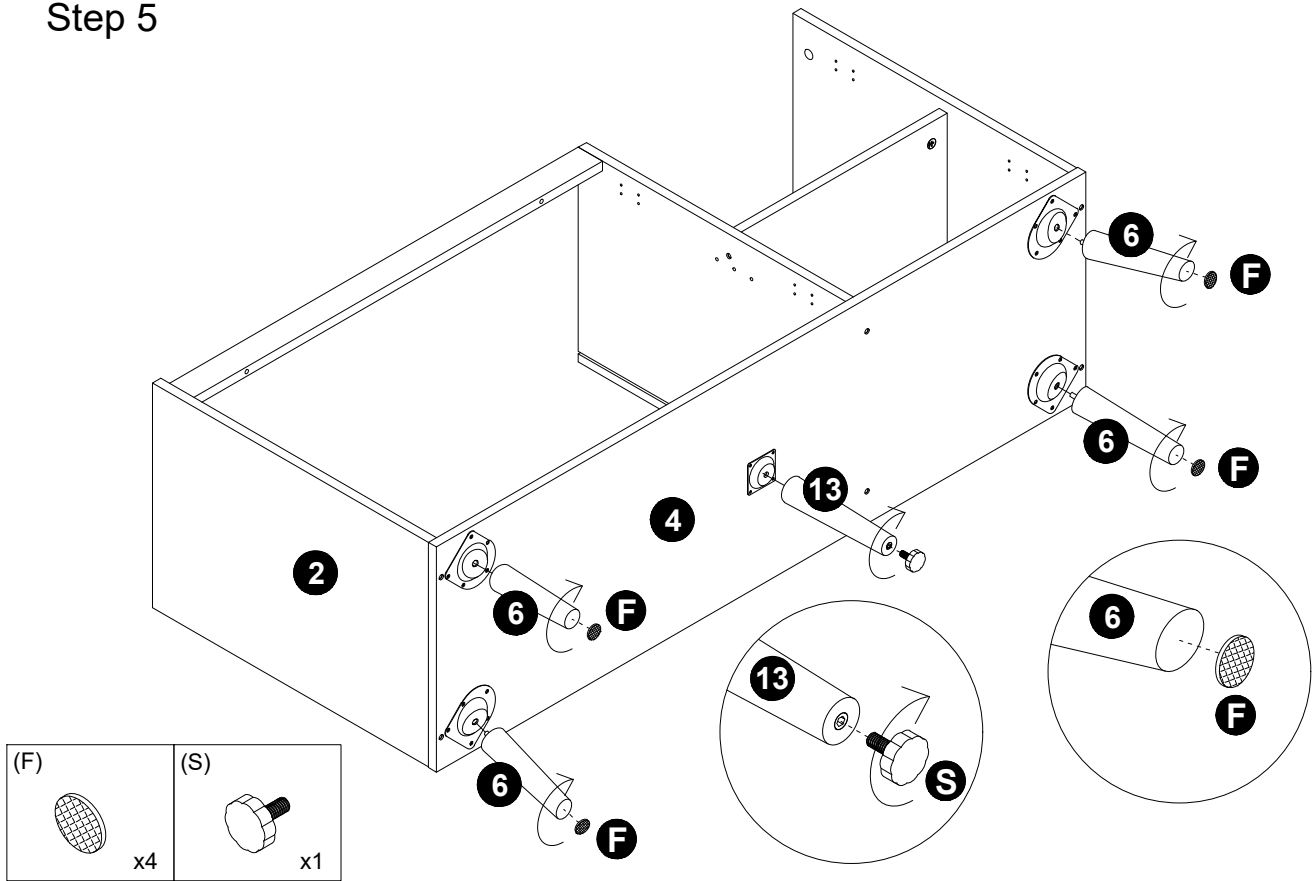
Step 3



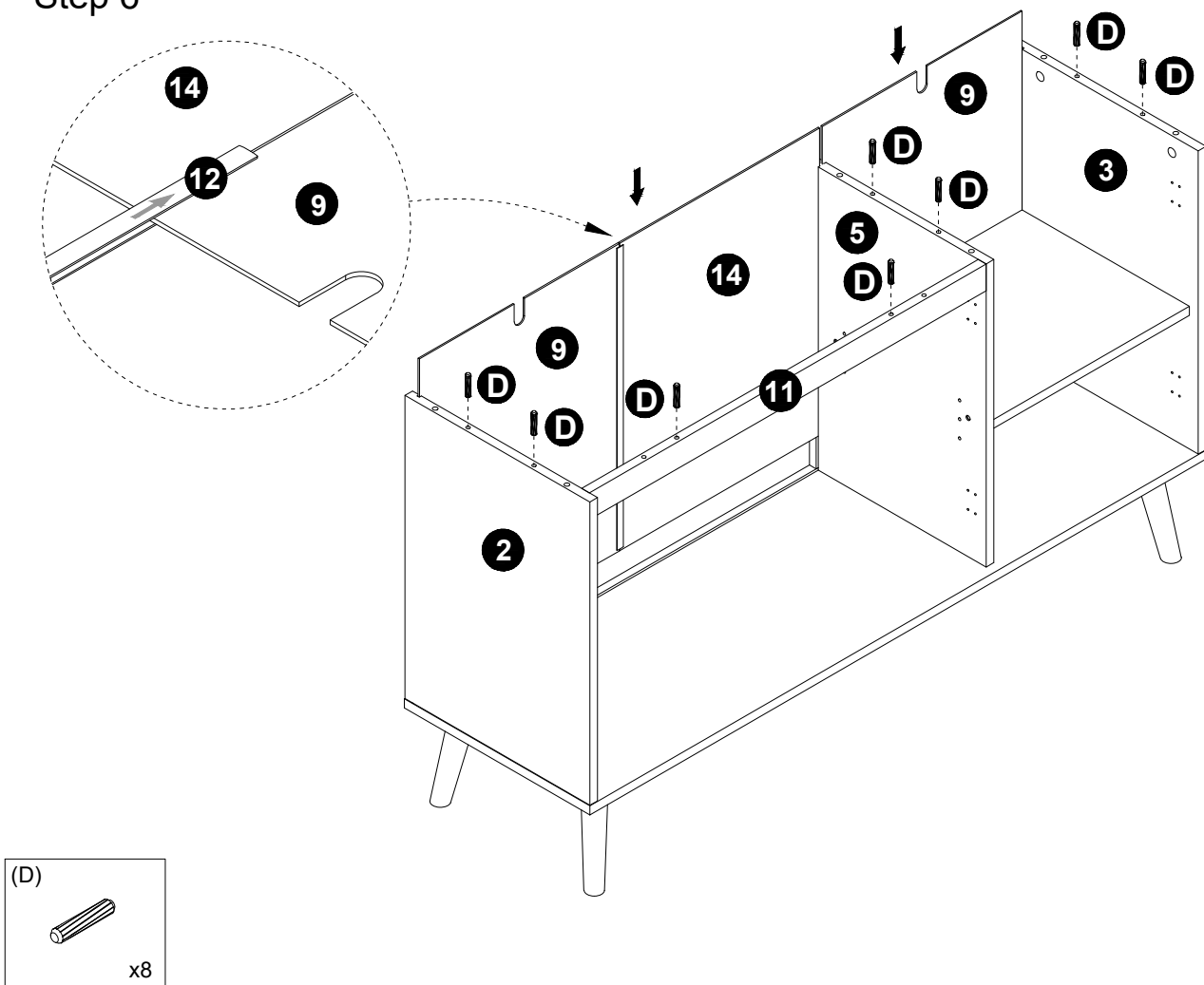
Step 4



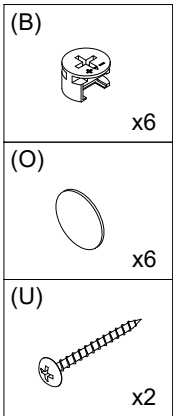
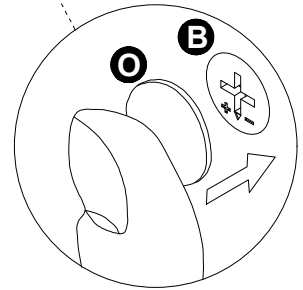
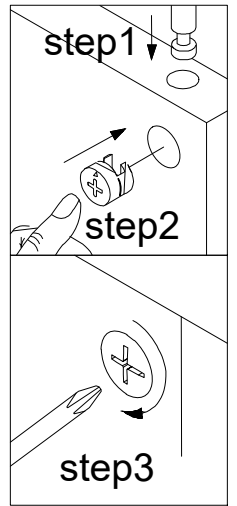
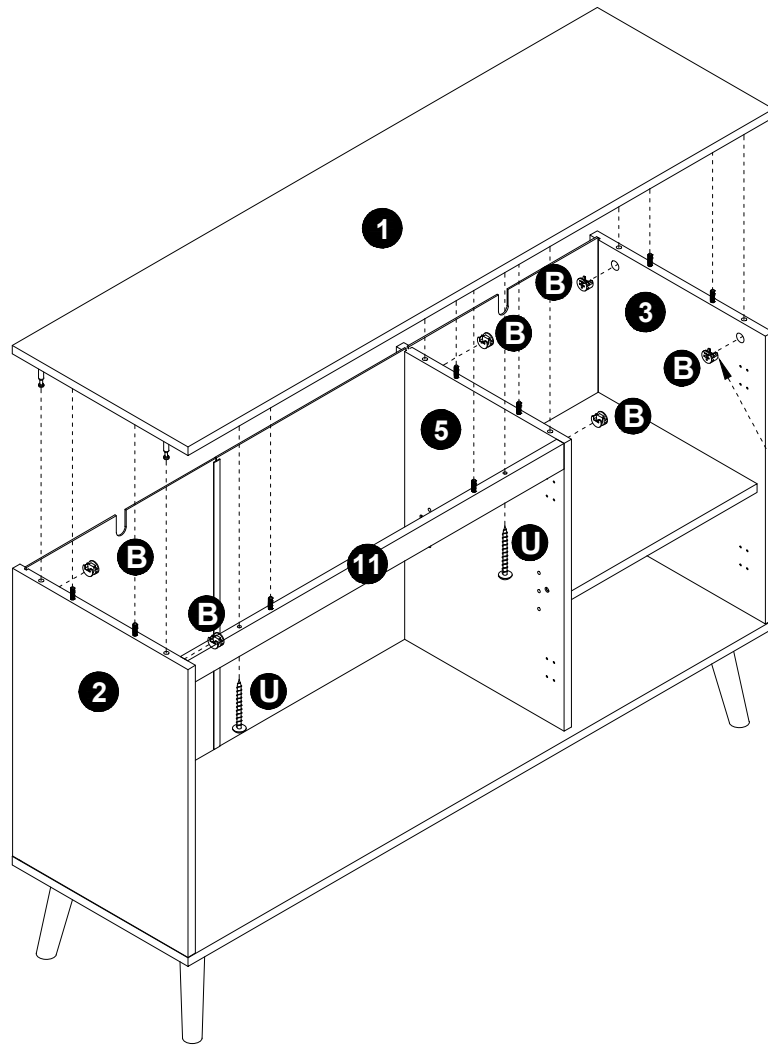
Step 5



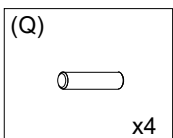
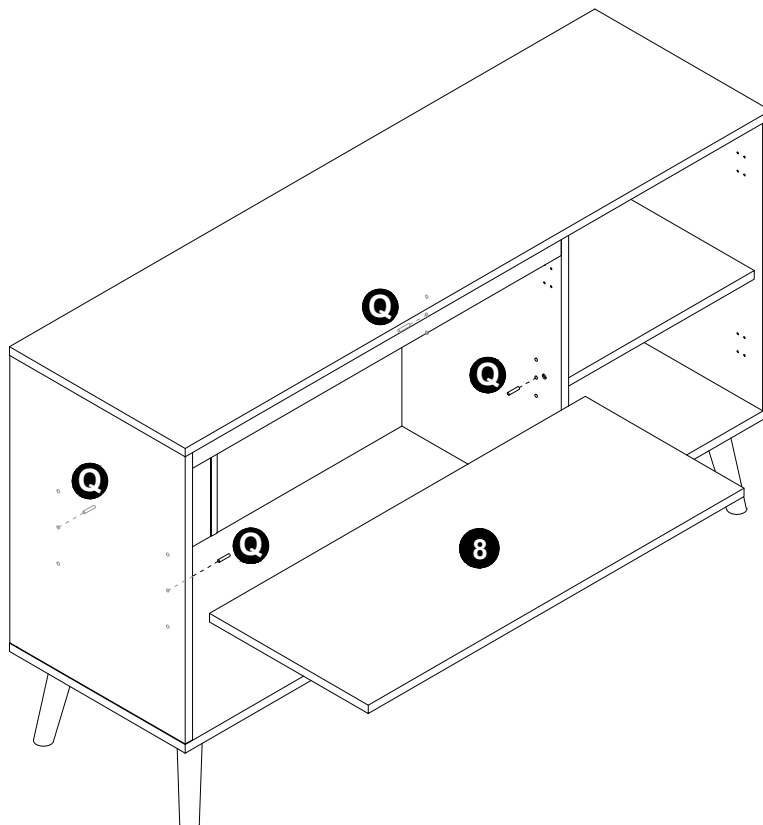
Step 6



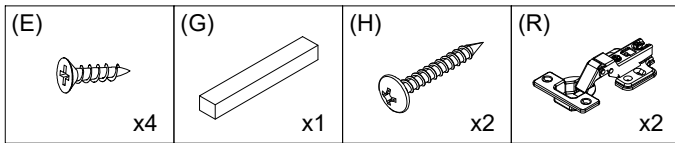
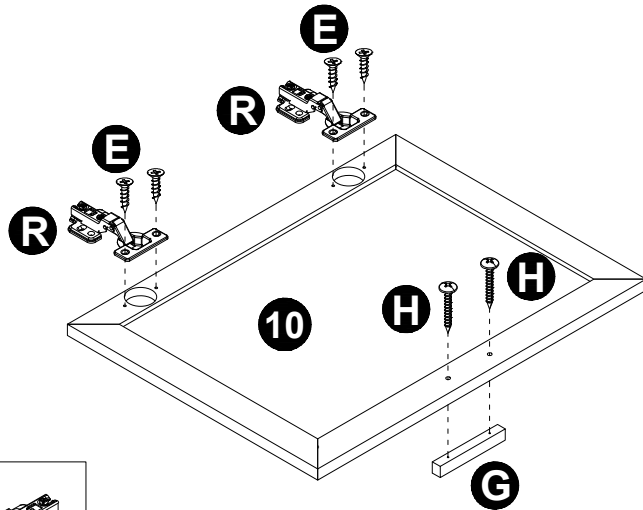
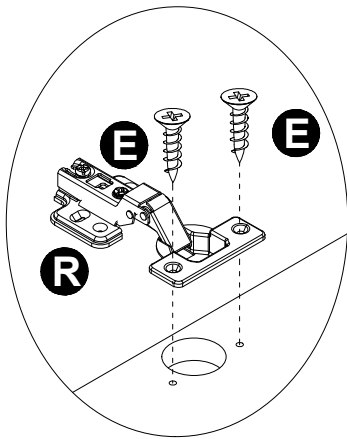
Step 7



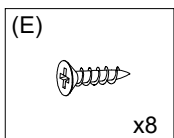
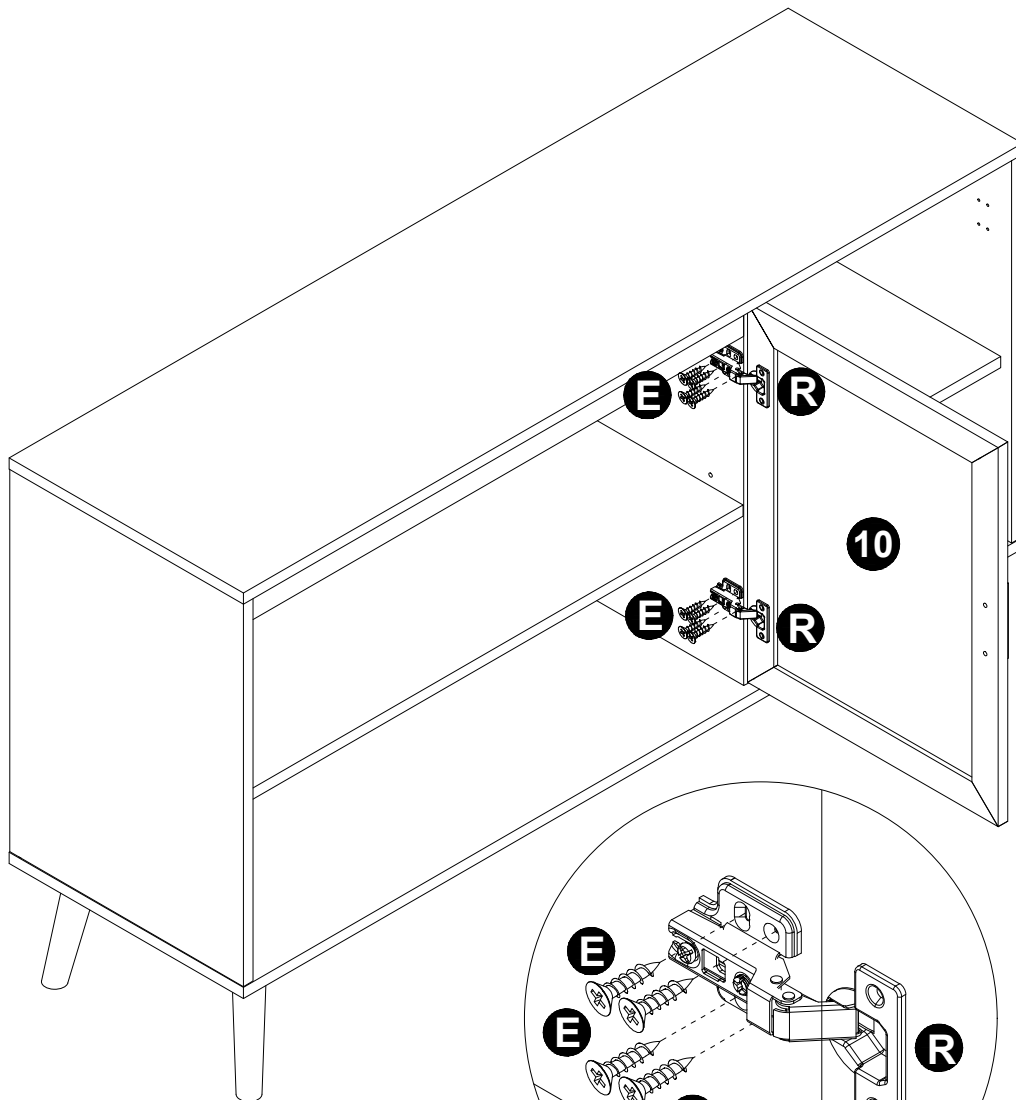
Step 8



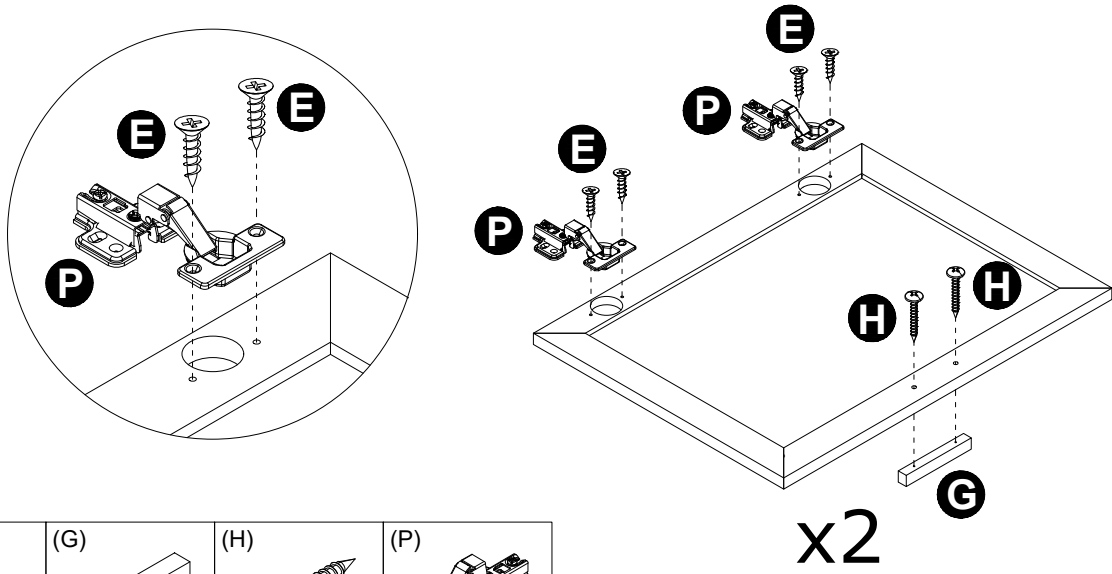
Step 9



Step 10

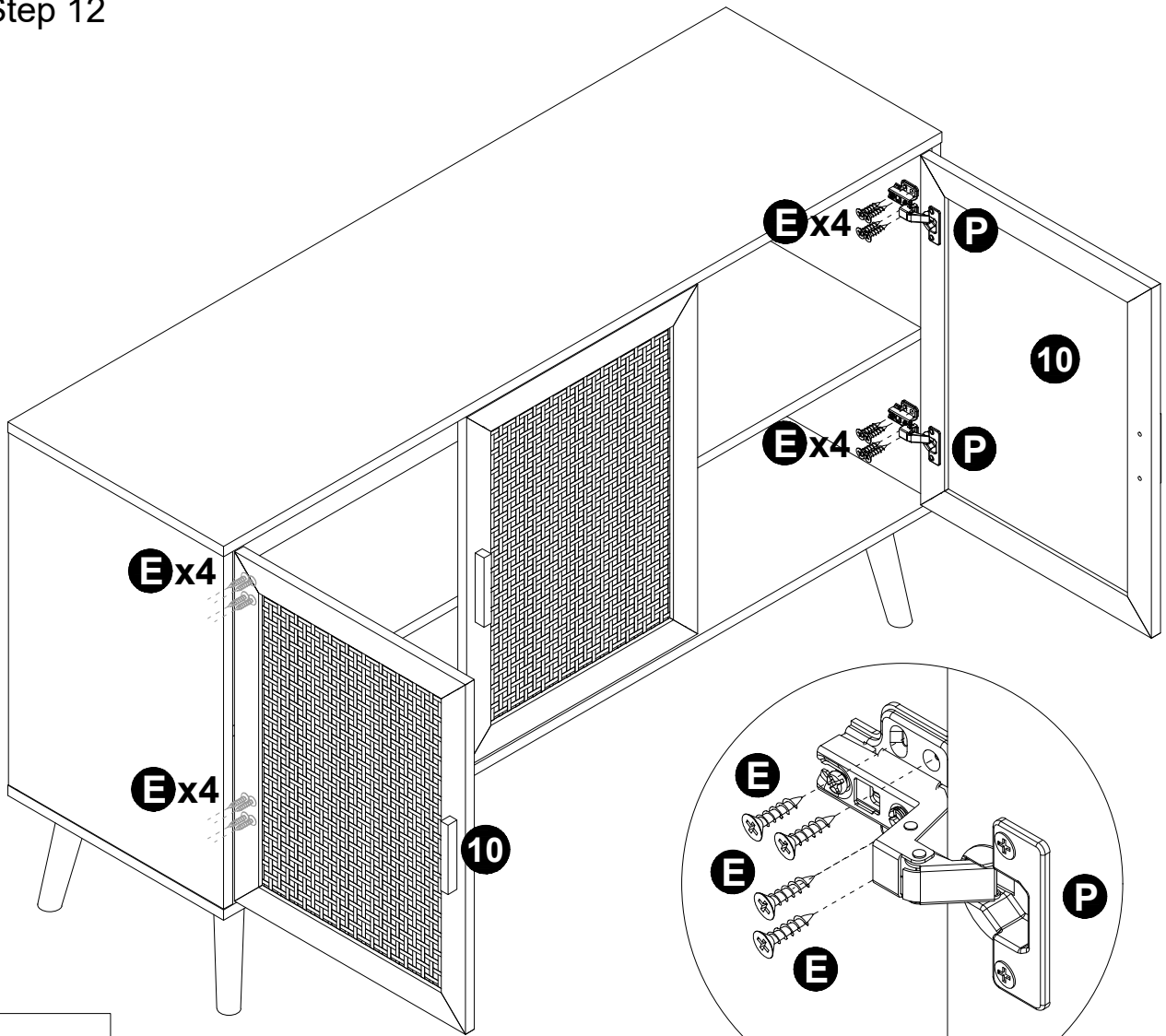


Step 11



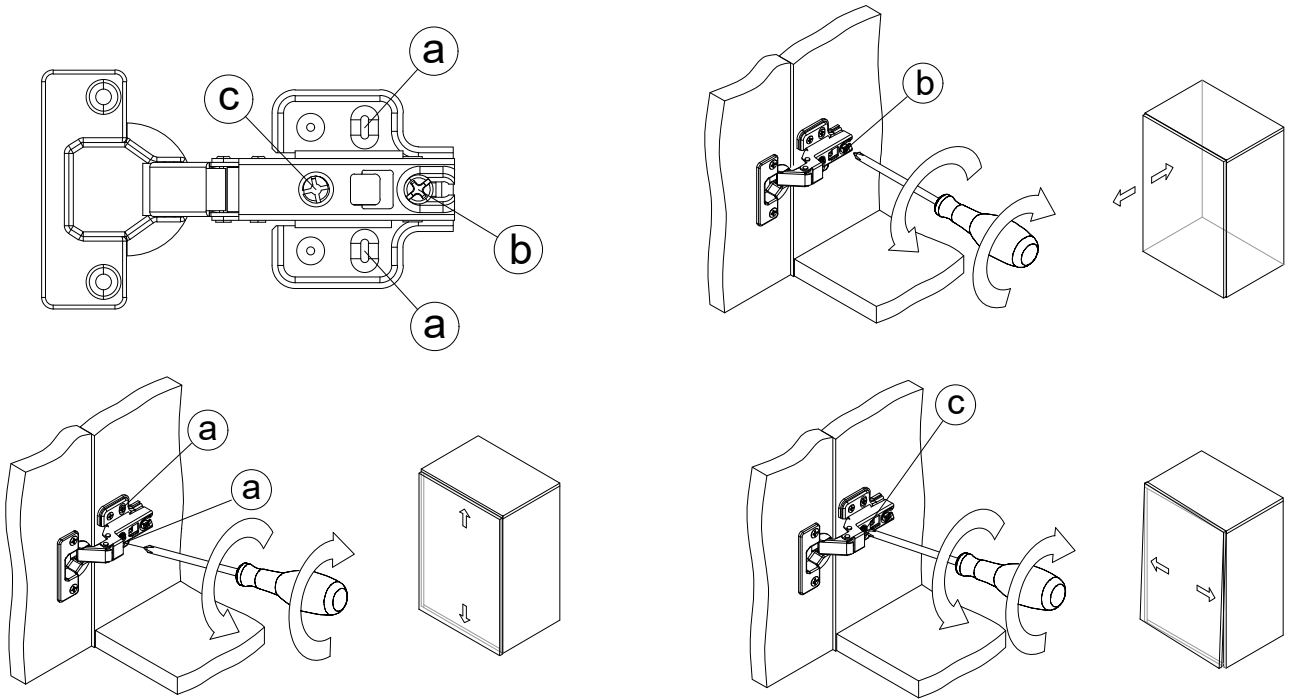
<p>(E)</p> <p>x8</p>	<p>(G)</p> <p>x2</p>	<p>(H)</p> <p>x4</p>	<p>(P)</p> <p>x4</p>
----------------------	----------------------	----------------------	----------------------

Step 12

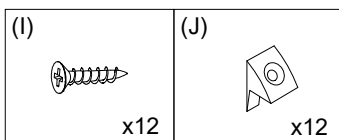
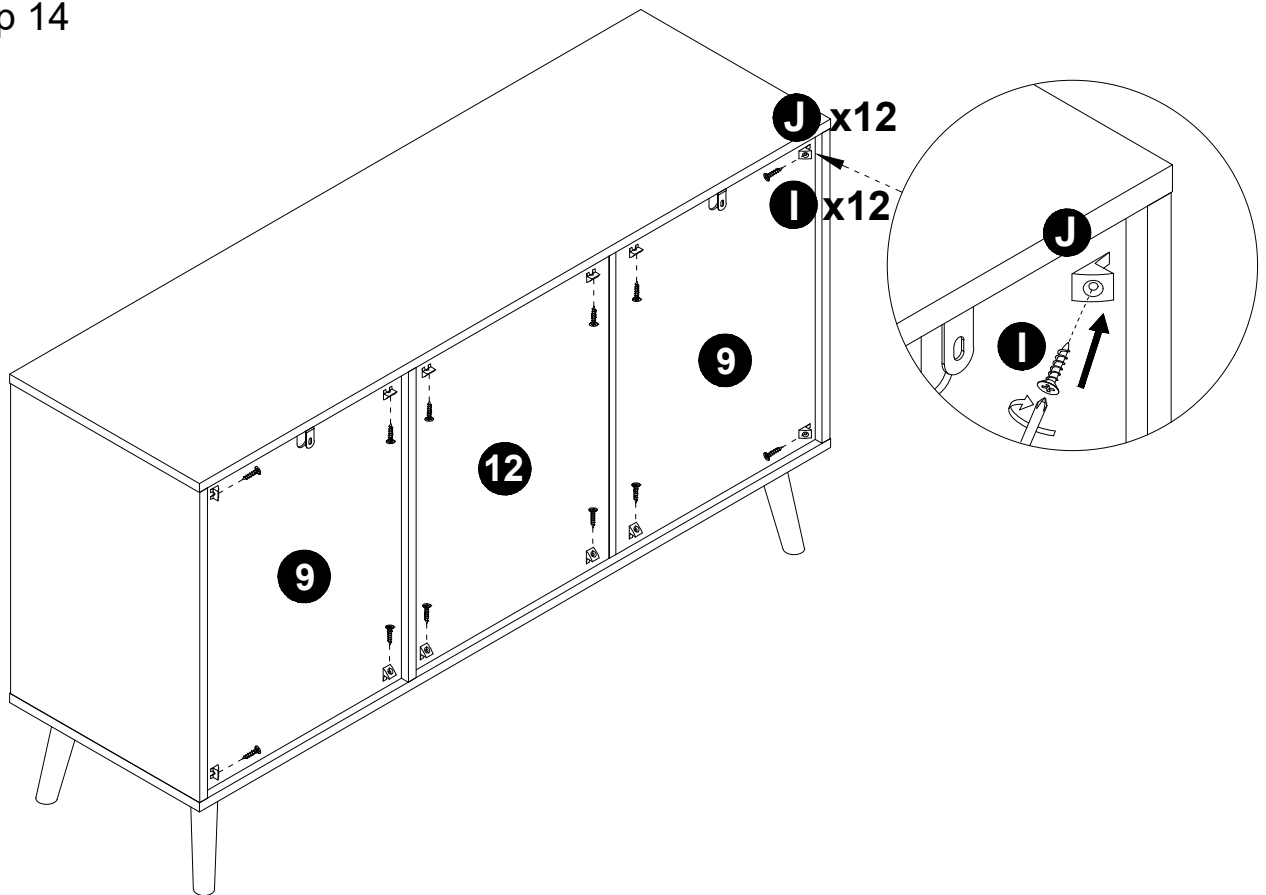


<p>(E)</p> <p>x16</p>

Step 13



Step 14



Step 15

