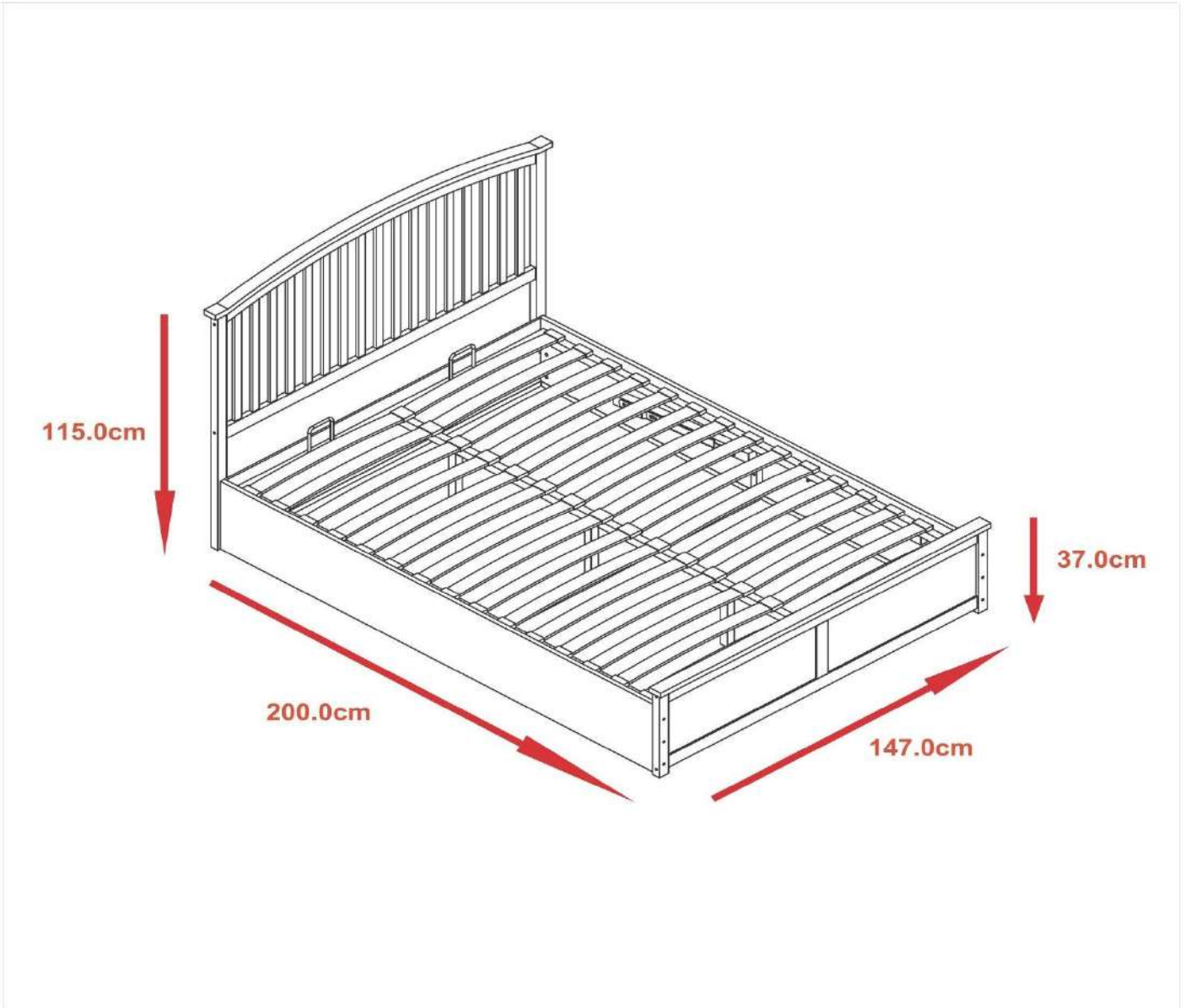



GLOBAL PROCUREMENT AND MARKETING LIMITED

MADRID END LIFT OTTOMAN DOUBLE BED

Assembly Instructions – Please keep for future reference

SKU:BEDMADOTD



Dimensions	No. people	Assembly Time	OW #
Width: 147.0 cm Depth: 200.0 cm Height: 115.0 cm		60 mins (approx.)	SKU:BEDMADOTD

thank you

For purchasing this
GPM Limited
product

Important

- PLEASE READ THESE INSTRUCTIONS FULLY BEFORE STARTING ASSEMBLY
- PLEASE DO NOT THROW THE PACKAGING AWAY UNTIL YOU ARE SATISFIED WITH PURCHASE, GOODS NEED TO BE RETURNED IN ORIGINAL PACKAGING.

If you need help or have damaged or missing parts, please email aftersales@gpmfurniture.co.uk


If you have damaged or missing components,
email: aftersales@gpmfurniture.co.uk

Important – Please read these instructions fully before starting assembly


If you need help or have damaged or missing parts, please email aftersales@gpmfurniture.co.uk

Safety and Care Advice

Important – Please read these instructions fully before starting assembly

- Check you have all the components, parts, hardware and tools listed on pages 3, 4.
- Remove all fittings from the plastic bags and separate them into their groups.
- Keep children and animals away from the work area, small parts could choke if swallowed.
- Make sure you have enough space to lay out the parts before starting.
- Do not stand or put weight on the product, this could cause damage.
- Assemble the item as close to its final position (in the same room) as possible.
- Assemble on a soft, level surface to avoid damaging the unit or your floor.
- We do not recommend the use of power drill/drivers for inserting screws, as this could damage the unit.
 Only use hand screwdrivers.
- Dispose of all packaging carefully and responsibly.

HELPFUL HINTS

- Please read through the assembly instructions thoroughly before you begin.
- Check all fittings and panels against the parts list to ensure that you have everything before you start. In the unlikely event that any parts are missing, please contact your retailer immediately.
- Remove all fittings from the plastic bags and separate them into their groups in a bowl or other container to stop any small parts being lost.
- Do not use any tool that's not listed in these assembly instructions. The use of power tools is NOT advised, this could damage your product and cause over tightening to occur.
- Assemble the item as close to its final position (in the same room) as possible.
- Make sure you have enough space to layout the parts before starting.
- Assemble on a soft level surface to avoid damaging the unit or your floor.
- Parts of the assembly will be easier with 2 people. Look for this logo 
- Check you have all the components and tools listed on the next page.

SAFETY

- Keep children and animals away from the work area, small parts could cause choking if swallowed.
- Dispose of all packaging carefully and responsibly.

Care and Maintenance

- Only clean using a damp cloth and mild detergent, do not use bleach or abrasive cleaners.
- From time to time check that there are no loose screws on this unit.
- This product should not be discarded with household waste. Take to your local authority waste disposal centre.

**If you are unhappy with the product and wish to return it,
please follow the retailer's returns procedure.**

IMPORTANT INFORMATION

OTTOMAN OPERATING INSTRUCTIONS

Once your bed frame is completely assembled, the slat frame unit will not operate correctly unless a mattress is placed on the slat frame. Position the mattress onto the slat frame whilst it is in the closed position.

The pistons used in the construction of this product are extremely strong and cannot be operated by hand when not fitted to the ottoman hinges. All pistons are tested in the factory for correct pressure and operation before use.

Initially it might appear that the pistons are very stiff when opening and closing the ottoman frame, THIS IS NORMAL.

After operating the ottoman a few times, the movement of the pistons and the opening and closing of the ottoman will become easier.

PLEASE NOTE - It takes a lot of force to make the initial movement of the ottoman. **THIS IS A DESIGN FEATURE OF THE PRODUCT SO THAT IT DOES NOT FALL SHUT.**

When the ottoman is almost shut, it will close completely under its own weight. The speed of closing depends on the weight of the mattress so always keep fingers clear of the frame.

Periodically check and tighten bolts to ensure that the components are tight and secure.

When lowering the slat unit for the first time, take care to make sure it does not rub unevenly on the inside face of the Side Rail. If it does, the bed has been assembled slightly out of square. This can be rectified by moving the Footboard of the bed slightly to the left or right whilst leaving the headboard of the bed frame stationary.

If you are experiencing difficulty with the initial compression try fitting one piston at a time (following the Assembly Instructions) then press down on the side of the frame with the piston fitted - this acts like a big lever (The weight of the mattress can be used to supplement the load exerted). Effectively you are doubling the amount of force applied, because you have halved the resistance offered by the pistons. It can take slightly more effort than you might feel comfortable applying to the bed frame at first.

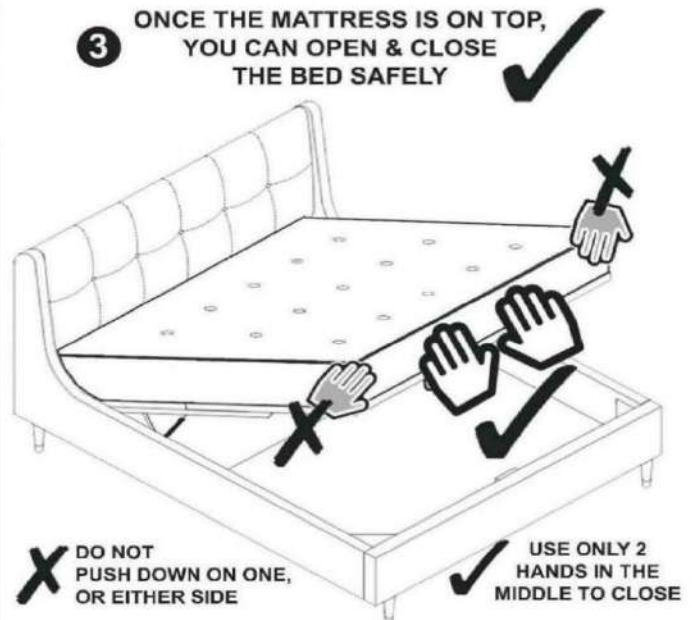
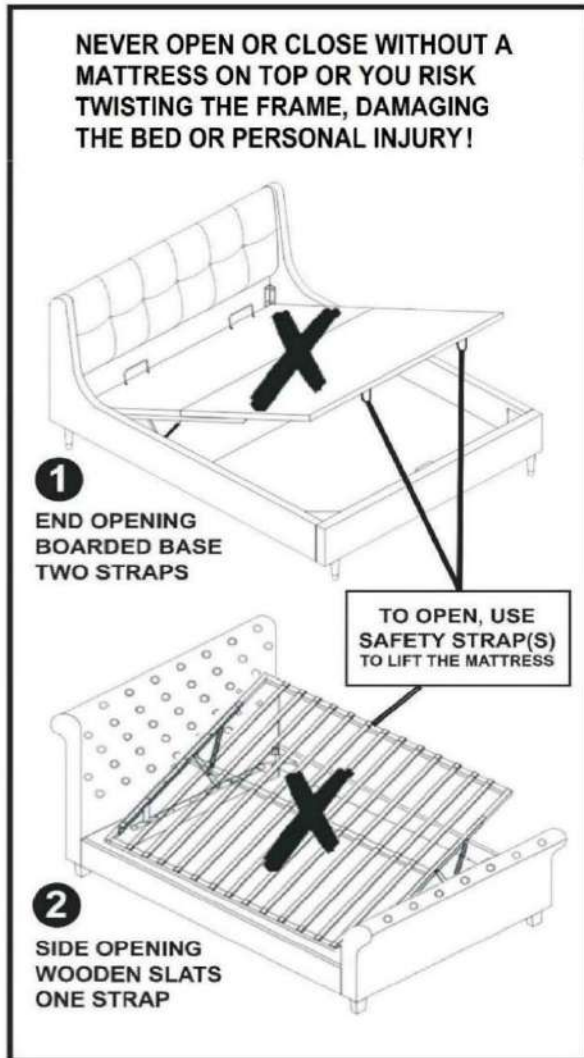
WARNING

For the safety of yourselves and others, please ensure that:

- **Children and pets are not left unattended when the frame is in the lifted position as they could become trapped inside the ottoman space.**
- **Please keep children and pets away from the ottoman bedstead whilst opening and closing the slat frame to avoid injury.**
- **The items store under the bed - i.e. the top of an item must not touch the underside of the mattress metal frame base or it may get damaged.**

ATTENTION Important Notes Regarding Gas Lifts

This information applies to all types of gas lift storage, regardless of the base top: boarded base ① or wooden slats ② and regardless of opening configuration: end opening ① / side opening ②

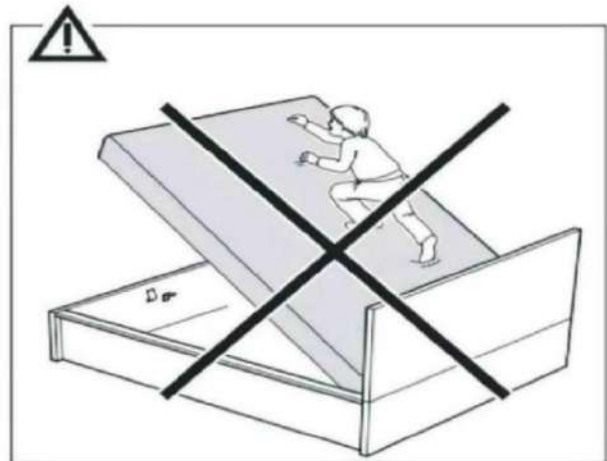
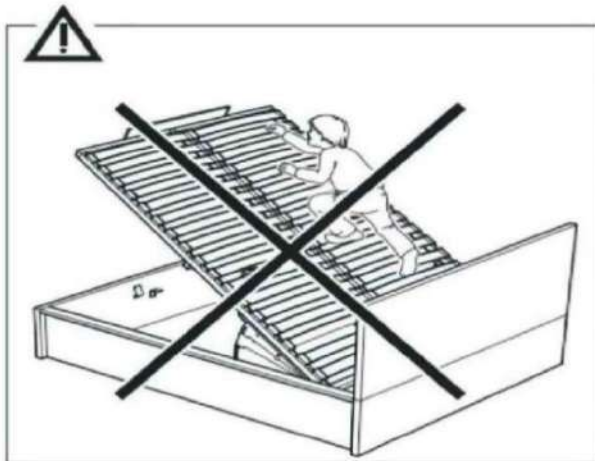
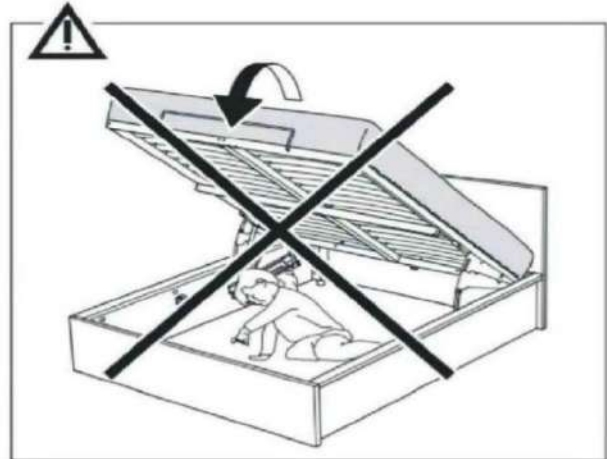
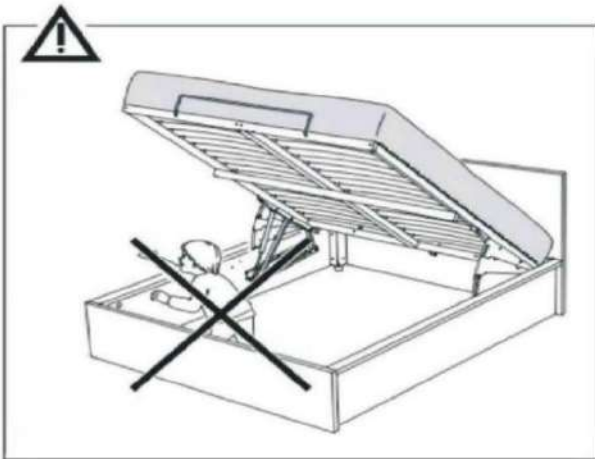


Once all the nuts and bolts are tightened firmly, the first time you close the lifting mechanism, push down with extra pressure to force open the seals on the pistons. This will feel like a lot of pressure, so be firm and it will close!

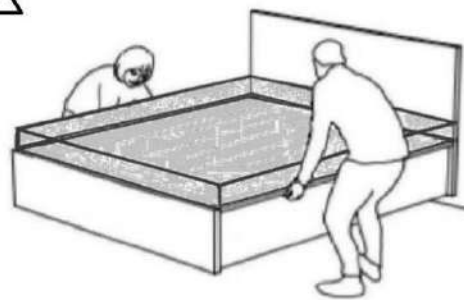
1. NEVER operate without a mattress on top. Failure to do so will damage the bed.
2. Close by pushing down firmly, with both hands towards the centre, with equal pressure.
3. NEVER push down on only one side or edge, or you will damage your bed.
4. NEVER sleep on the bed frame without a mattress.
5. Please remember to re-tighten all nuts & bolts within the bed frame after 2 weeks of use.

Hints and Tips

Failure to do so may result in injury.



Bed frame must be in it's CLOSED position when moving the bed.



Hints and Tips

Failure to do so may result in injury.

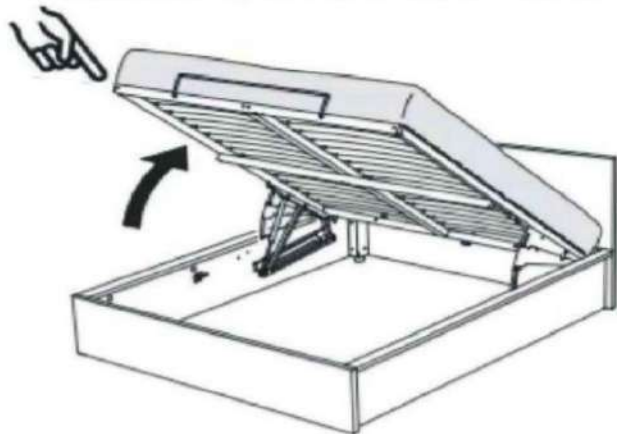
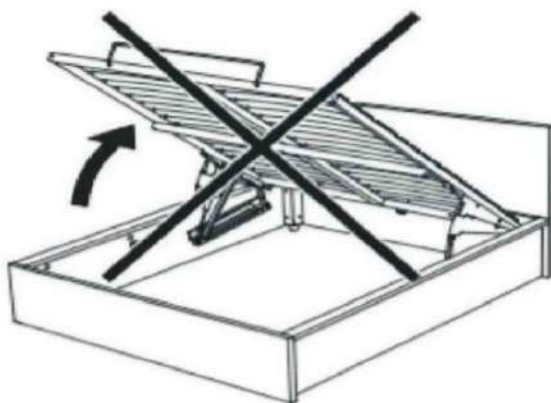
To operate the ottoman, always use two hands at arm's length to push down on the bed frame end, in between the 2 rows of slats (as shown below) to close the bed frame.

To open, lift up using the nylon strap on the bed end. You must always ensure the mattress is on the bed frame before lifting to open and close the bed frame.

The weight of the mattress loaded on the frame helps to close the bed frame easier and with less effort, also keep the frame in its closed position until it is pulled upwards by the user.

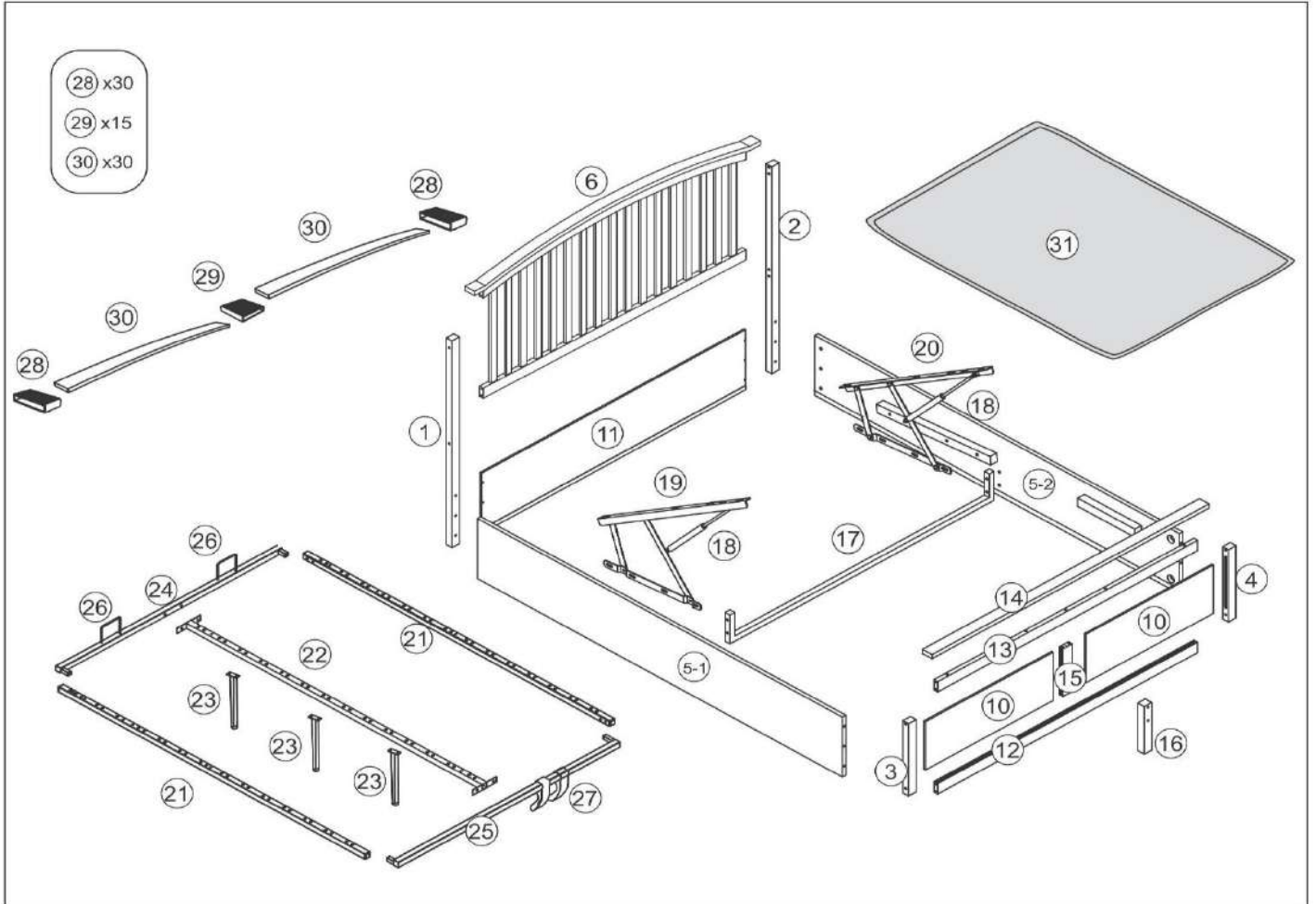


Always ensure a Mattress is on the bed frame



Components – Parts

Please check that you have all the components listed below before constructing your item.



If you have damaged or missing components,
email: aftersales@gpmfurniture.co.uk

Components - Parts

Please check that you have all the components listed below before constructing your item.










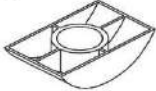








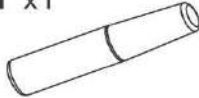


Part No	Description	Qty
1	Headboard Post (Left)	1
2	Headboard Post (Right)	1
3	Footboard Post (Left)	1
4	Footboard Post (Right)	1
5-1	Side Rail (Left)	1
5-2	Side Rail (Right)	1
6	Headboard Bottom stretcher	1
10	Footboard Center Panel	2
11	Headboard Bottom Panel	1
12	Footboard Bottom Stretcher	1
13	Footboard Top Stretcher	1
14	Footboard Crown	1
15	Footboard Vertical Center Divider	1
16	Metal Frame Support	1
17	Side Rail Center Stretcher	1
18	Gas Lift Piston	2
19	Folding Mechanism (Left)	1
20	Folding Mechanism (Right)	1
21	Side Frame Rail	2
22	Centre Support Rail	1
23	Centre Support Leg	3
24	Head End Frame Rail	1
25	Foot End Frame Rail	1
26	Mattress Stopper	2
27	Lifting Handle Strap	1
28	End Slat Cap	30
29	Centre Slat Cap	15
30	Slat	30
31	Non-Woven Fabric	1

Components - Fixings

If you have damaged or missing components, email: aftersales@gpmfurniture.co.uk

Please check that you have all the components listed below before constructing your item.

Note: The quantities below are the correct amount to complete the assembly. In some cases more fittings may be supplied than are required.

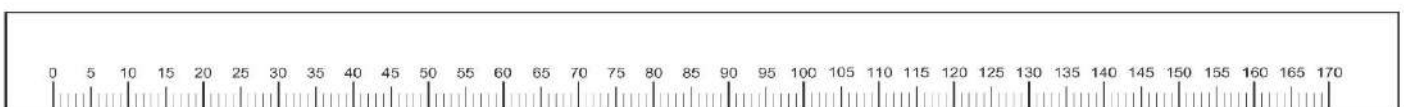
A x4  Wood Dowel Φ8x30mm	B x8  Wood Dowel Φ6x30mm	C x8  Bolt Φ6x70mm	D x6  Bolt M6x65mm	E x6  T-Nut
F x6  Bolt M6x50mm	G x4  Bolt M6x35mm	H x6  Stud M6x60mm	J x6  Nut M6	K x6  Half Moon Washer
L x1  Spanner M6	M x1  Allen Key M4	N x8  Bolt & Washer Φ8x20mm	O x24  Bolt Φ8x15mm	P x4  Nut M8
Q x1  Spanner M10	R x1  Allen Key M5	S x2  Screw Φ4x50mm	T x1  Wood Glue	U x6  Screw Φ4x20mm
I x1  Screw driver (not provided)				

Tools Required



NOTE: SCREW DRIVER & HAMMER ARE NOT PROVIDED.

Ruler – Use this to measure your screws (mm)




Important – Please read these instructions fully before starting assembly

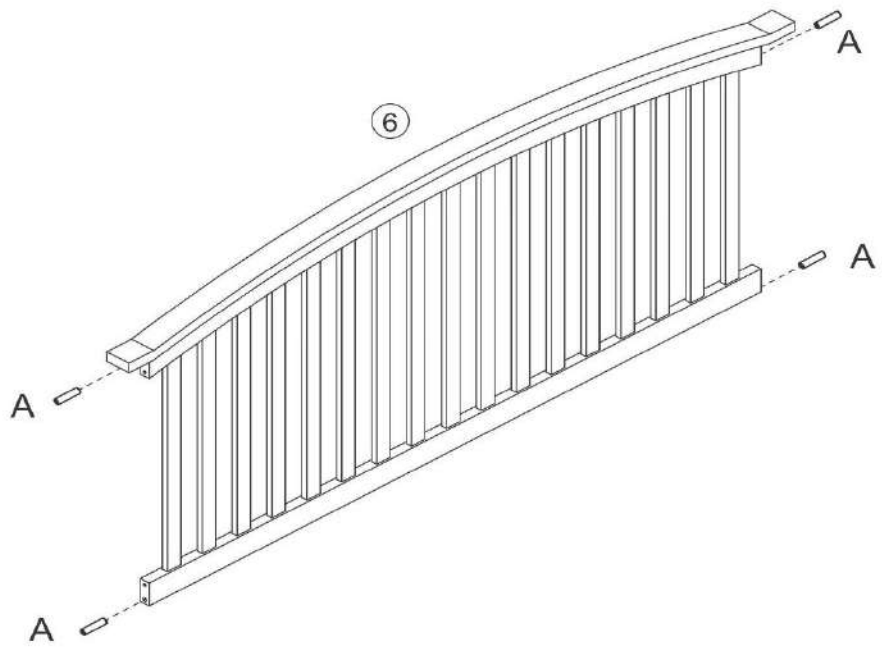
If you need help or have damaged or missing parts, please email aftersales@gpmfurniture.co.uk

Assembly Instructions

If you have damaged or missing components,
email: aftersales@gpmfurniture.co.uk


Step 01

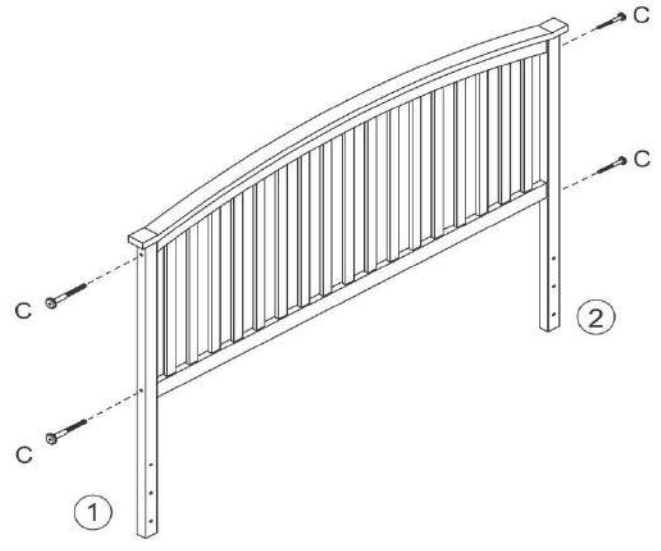
A x4

Wood Dowel
Φ8x30mm



Step 02

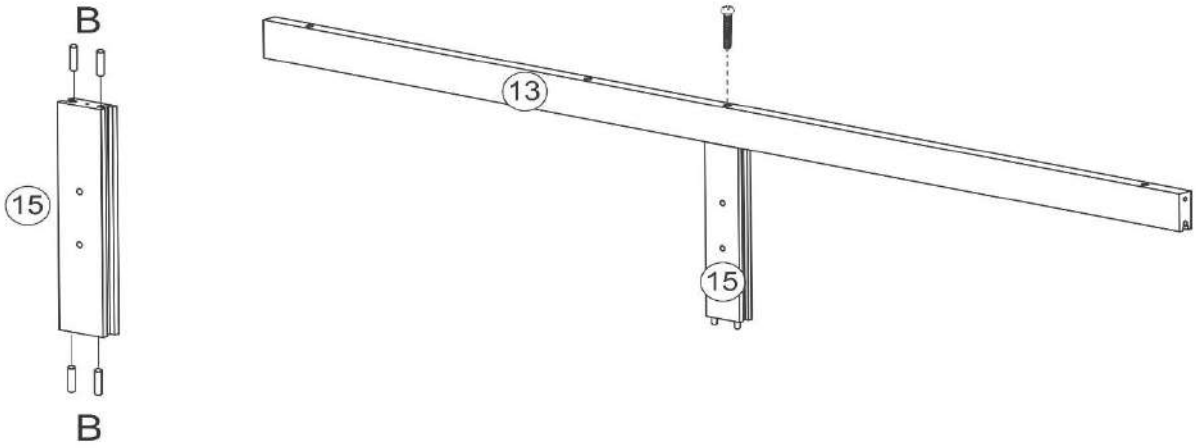


C x4

Bolt
Φ6x70mm



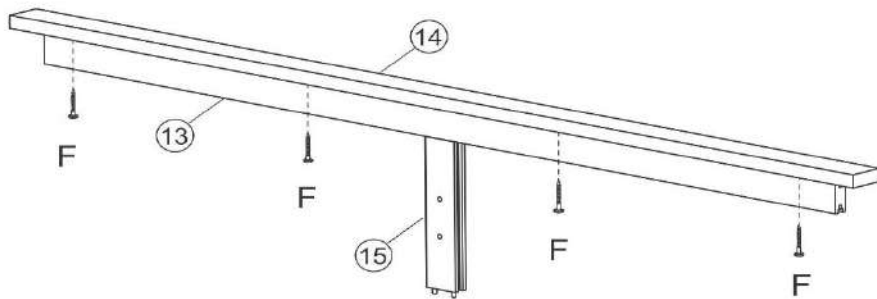
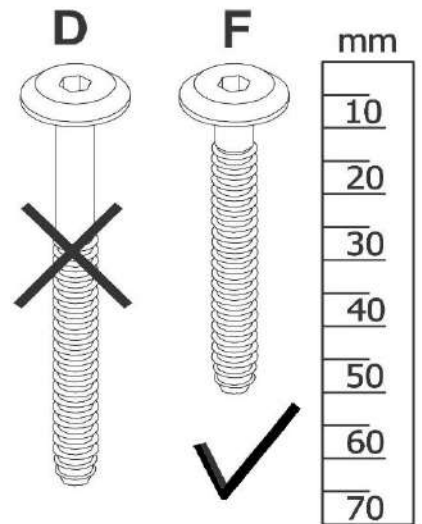
Step 03


B x4	S x1
	
Wood Dowel Φ6x30mm	Screw Φ4x50mm



Step 04

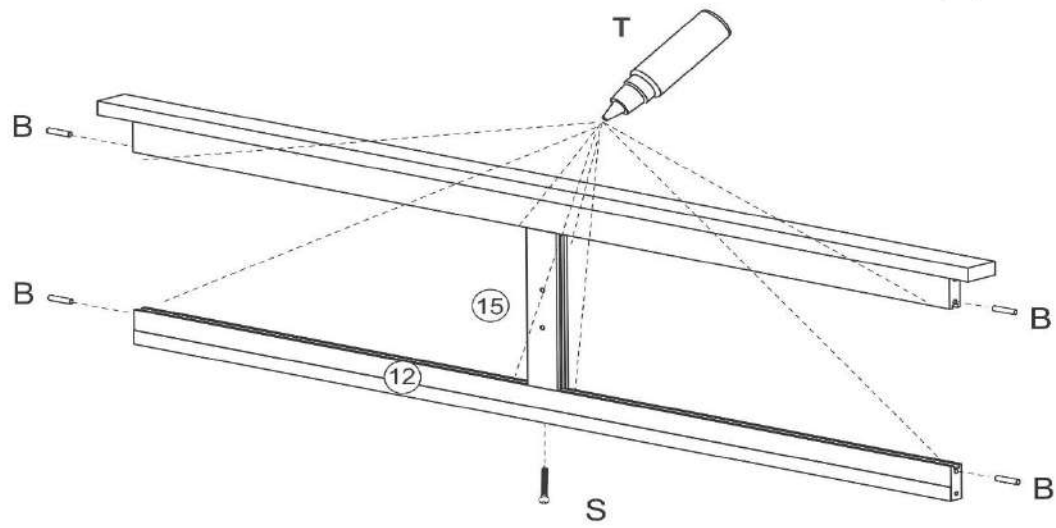
NOTE:  Use Bolt "F" to attached Top Footboard Stretcher "13" to Footboard Crown "14".



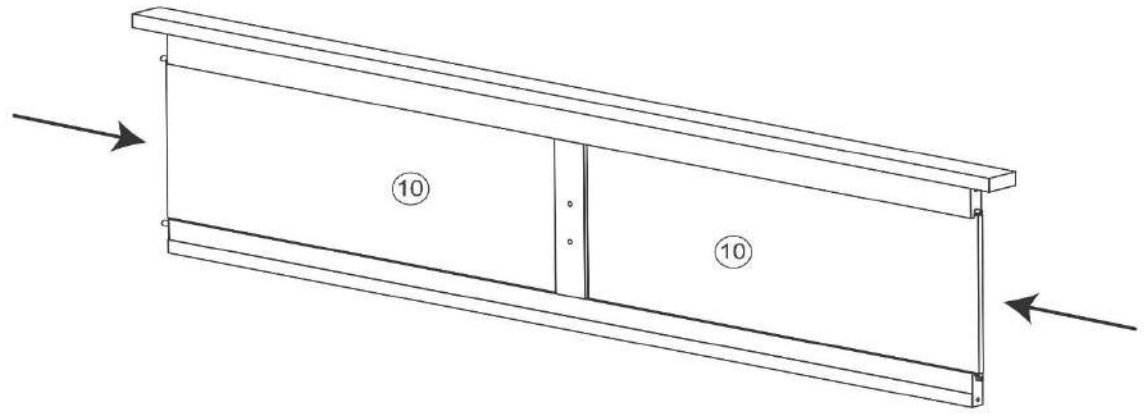
F x4

Bolt M6x50mm

Step 05

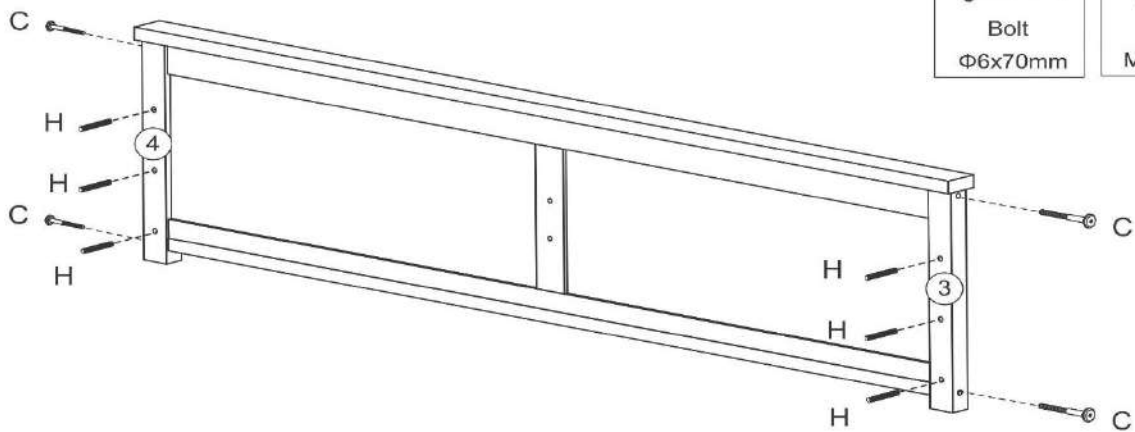
- B** x4
Wood Dowel
Φ6x30mm
- S** x1
Screw
Φ4x50mm
- T** x1
Wood Glue




Step 06



Step 07



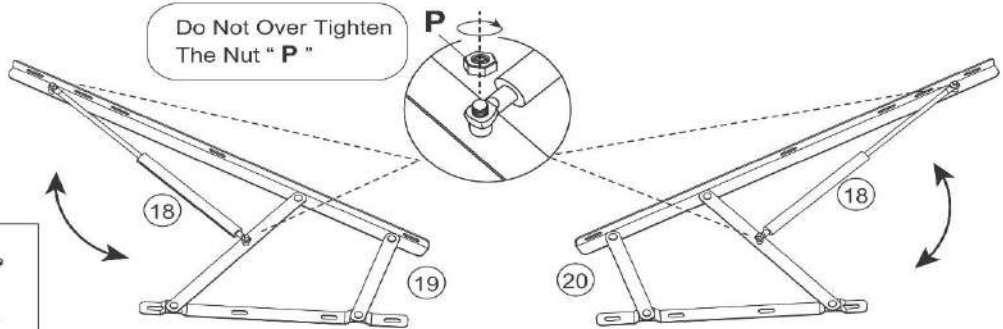
C x4

 Bolt
 Φ6x70mm

H x6

 Stud
 M6x60mm

Step 08

Do Not Over Tighten
 The Nut "P"



P x4

 Nut
 M8

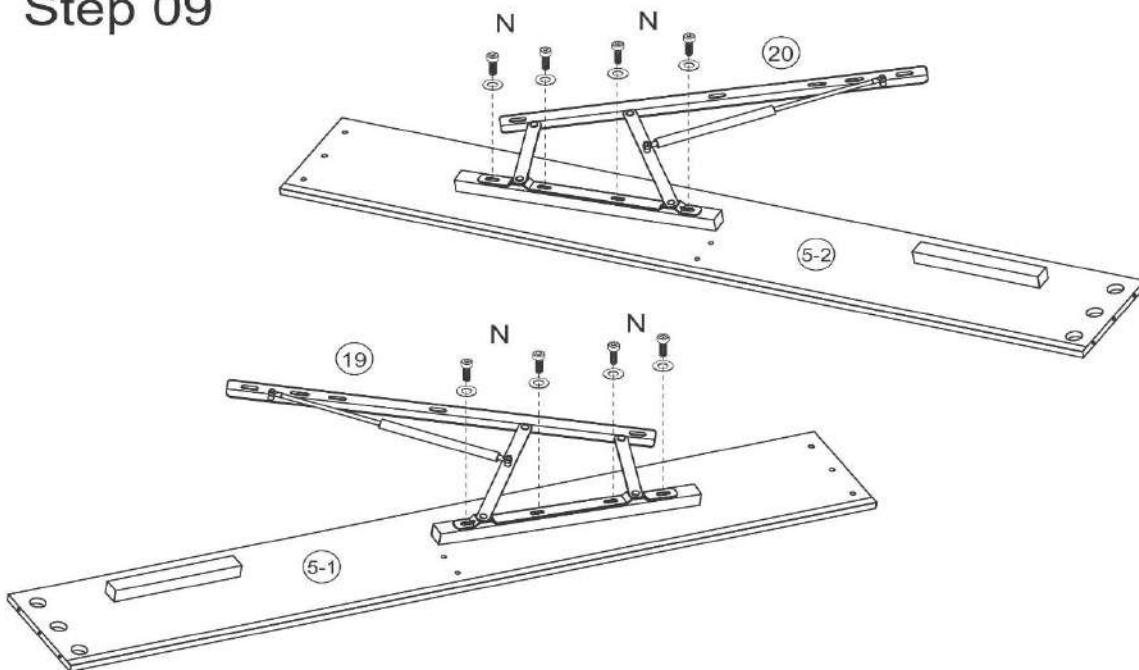
Q x1

 Spanner
 M10

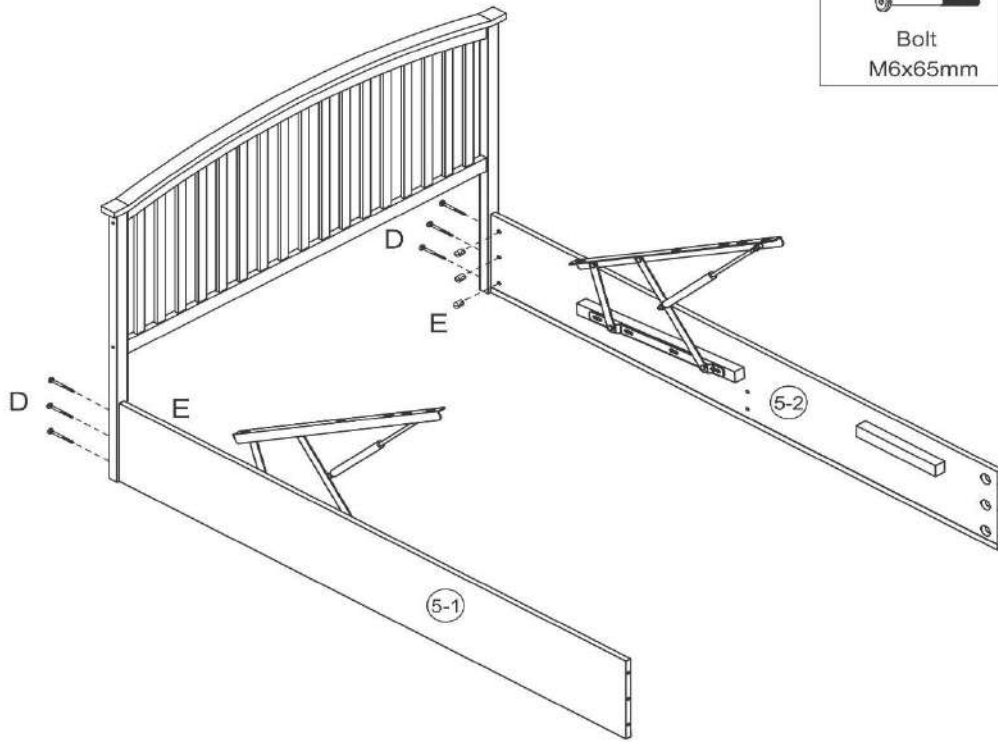
Step 09



N x8

 Bolt & Washer
 Φ8x20mm

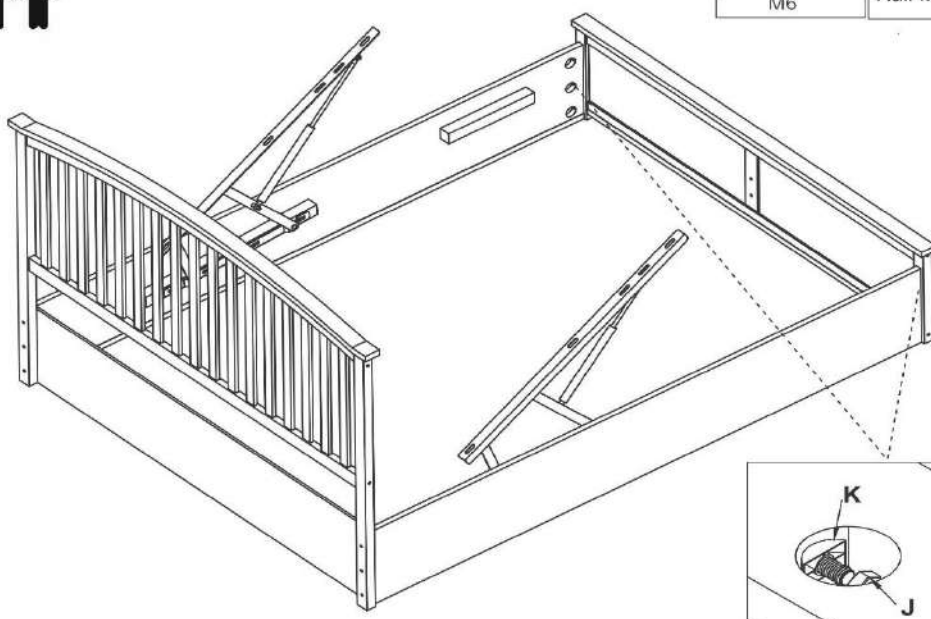


Step 10

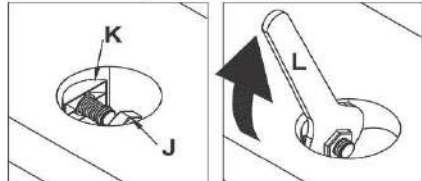


D x6  Bolt M6x65mm	E x6  T-Nut
---	---

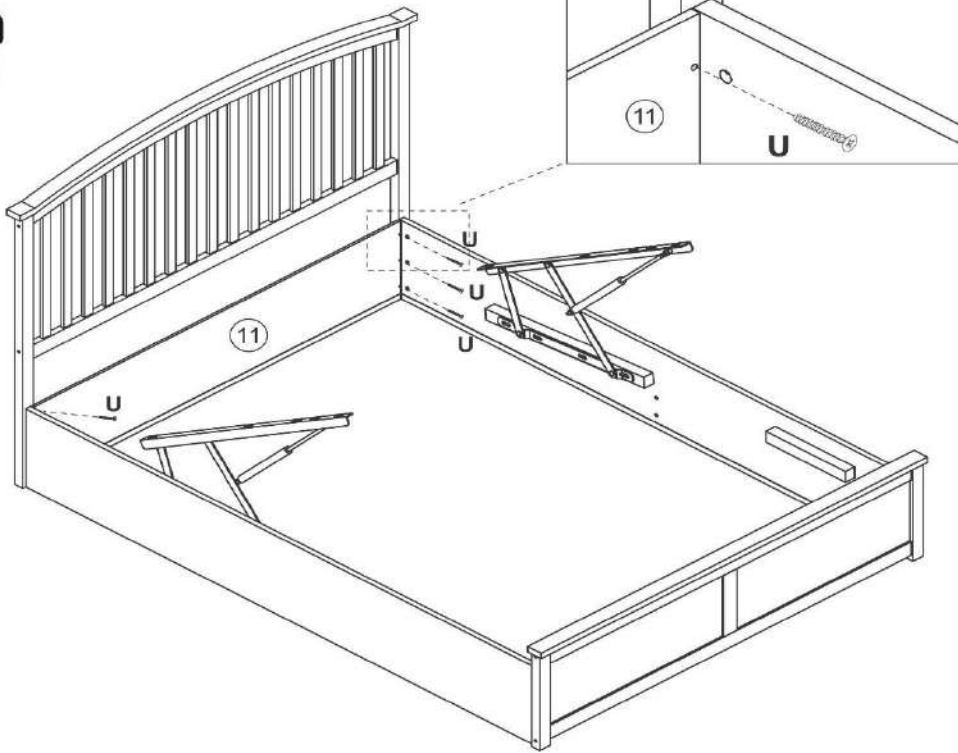
Step 11



J x6  Nut M6	K x6  Half Moon Washer	L x1  Spanner M6
--	--	---

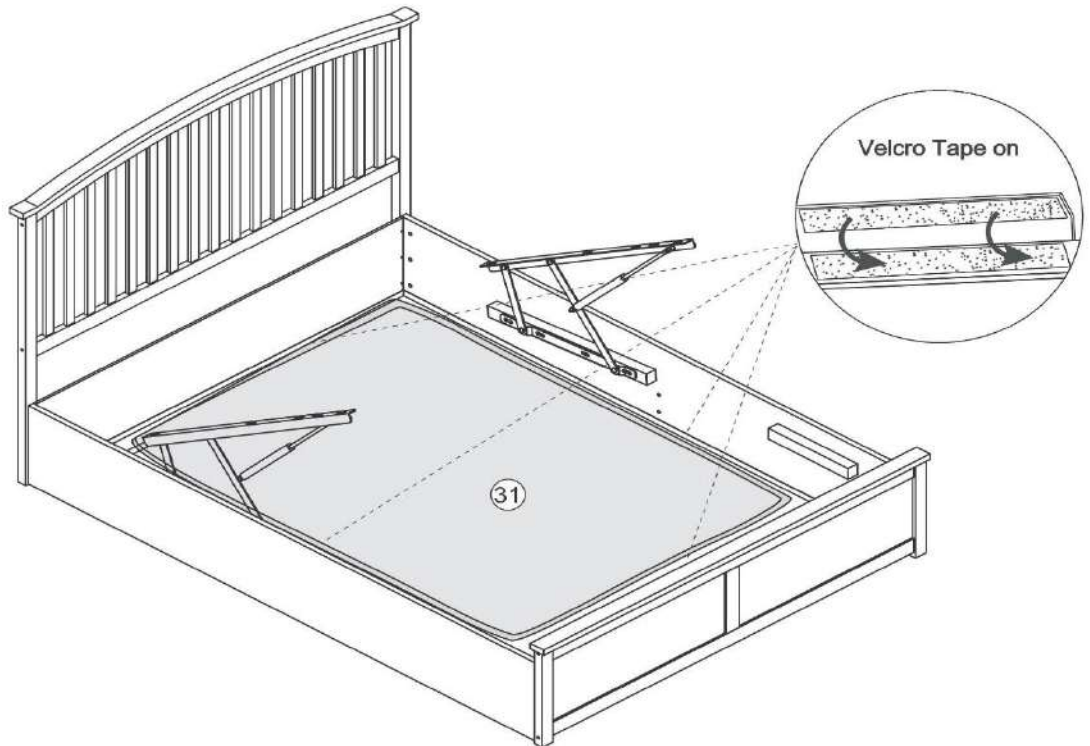


Step 12



U x6
Screw
Φ4x20mm

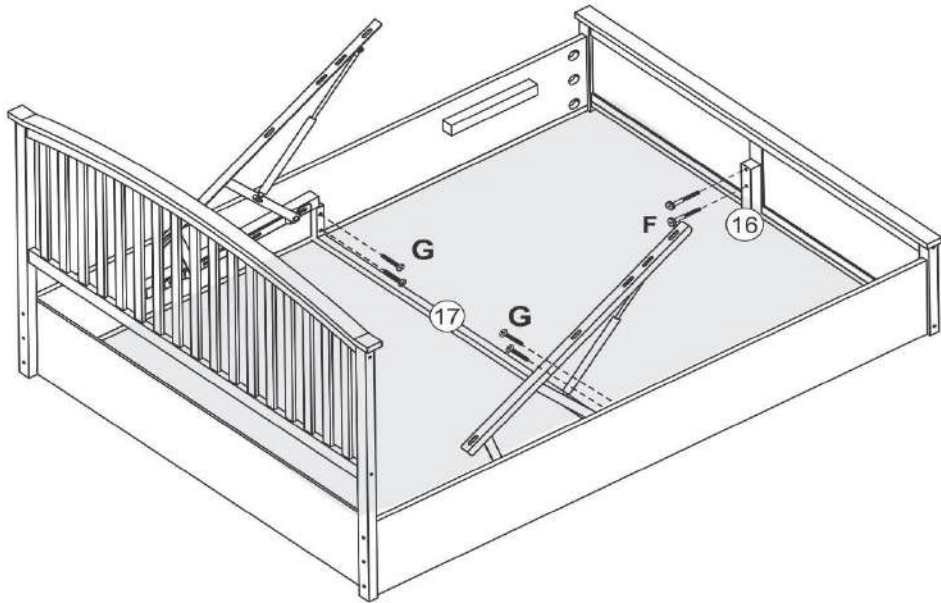
Step 13



Step 14

G x4
Bolt
M6x35mm

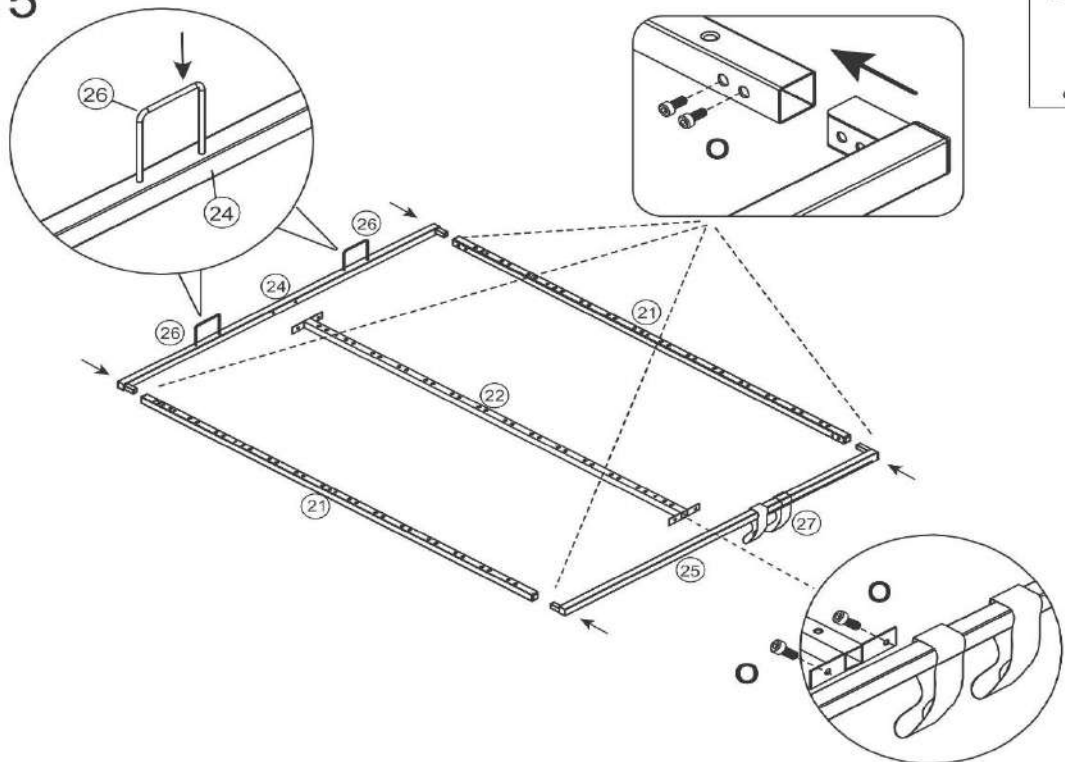
F x2
Bolt
M6x50mm



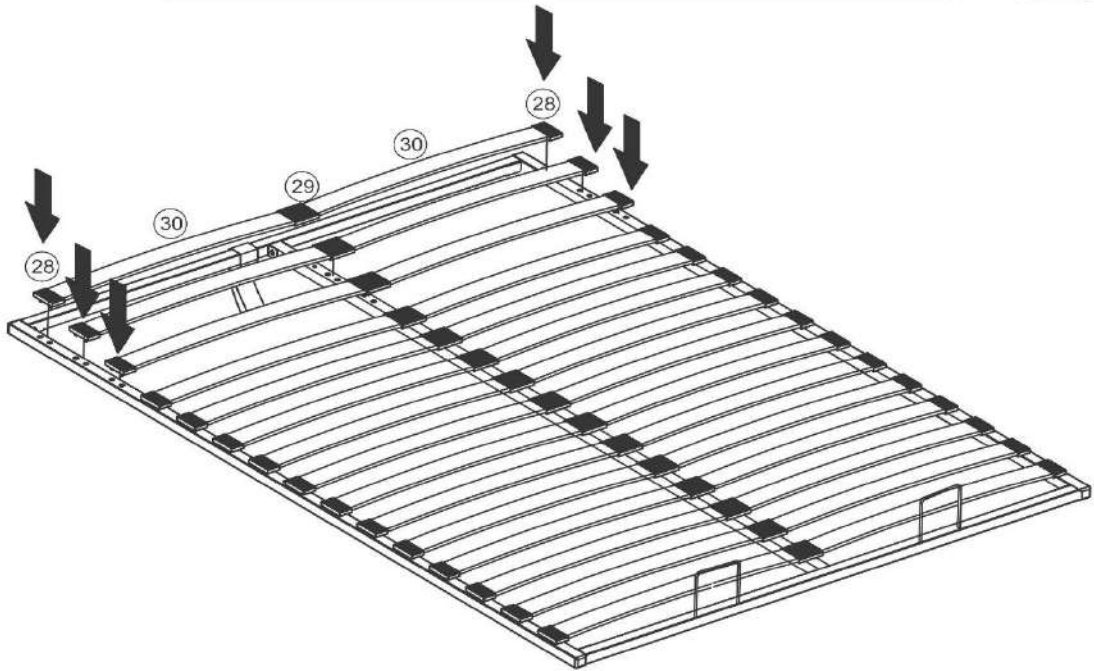
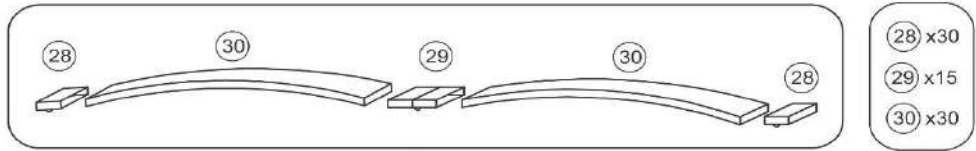
Step 15



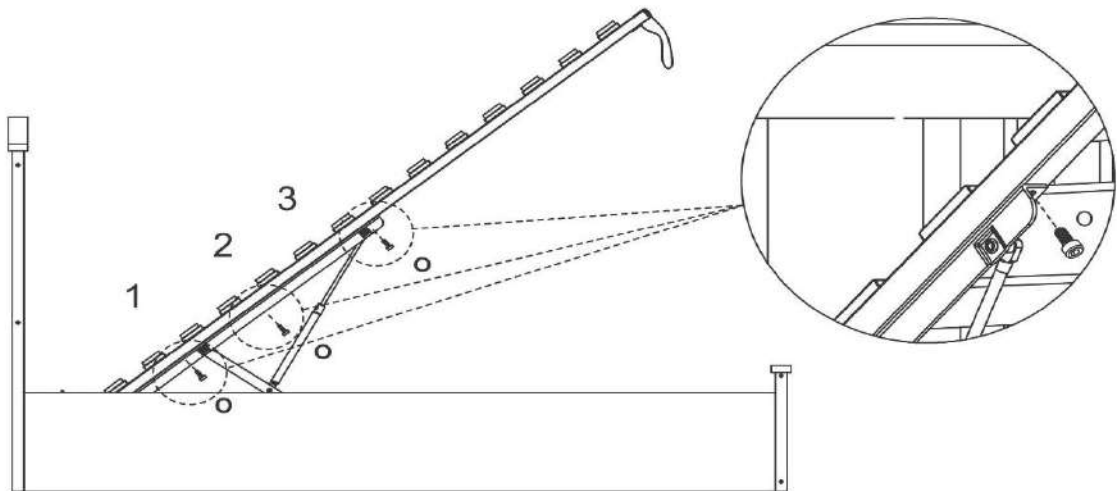
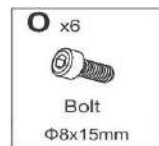
O x12
Bolt
Φ8x15mm



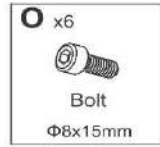
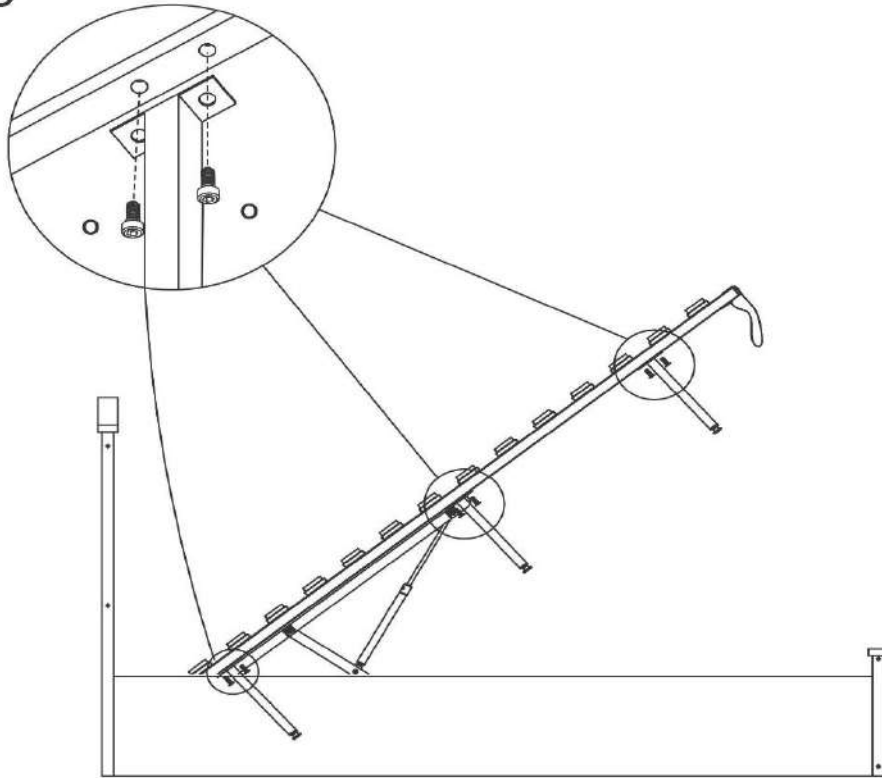
Step 16



Step 17

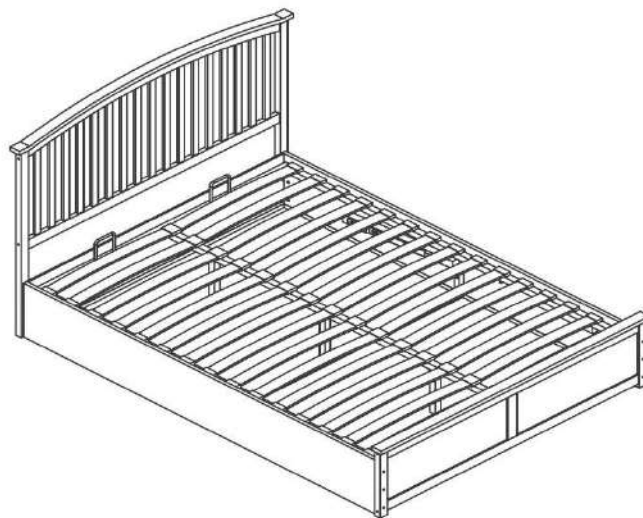


Step 18



Step 19

Assembly Complete

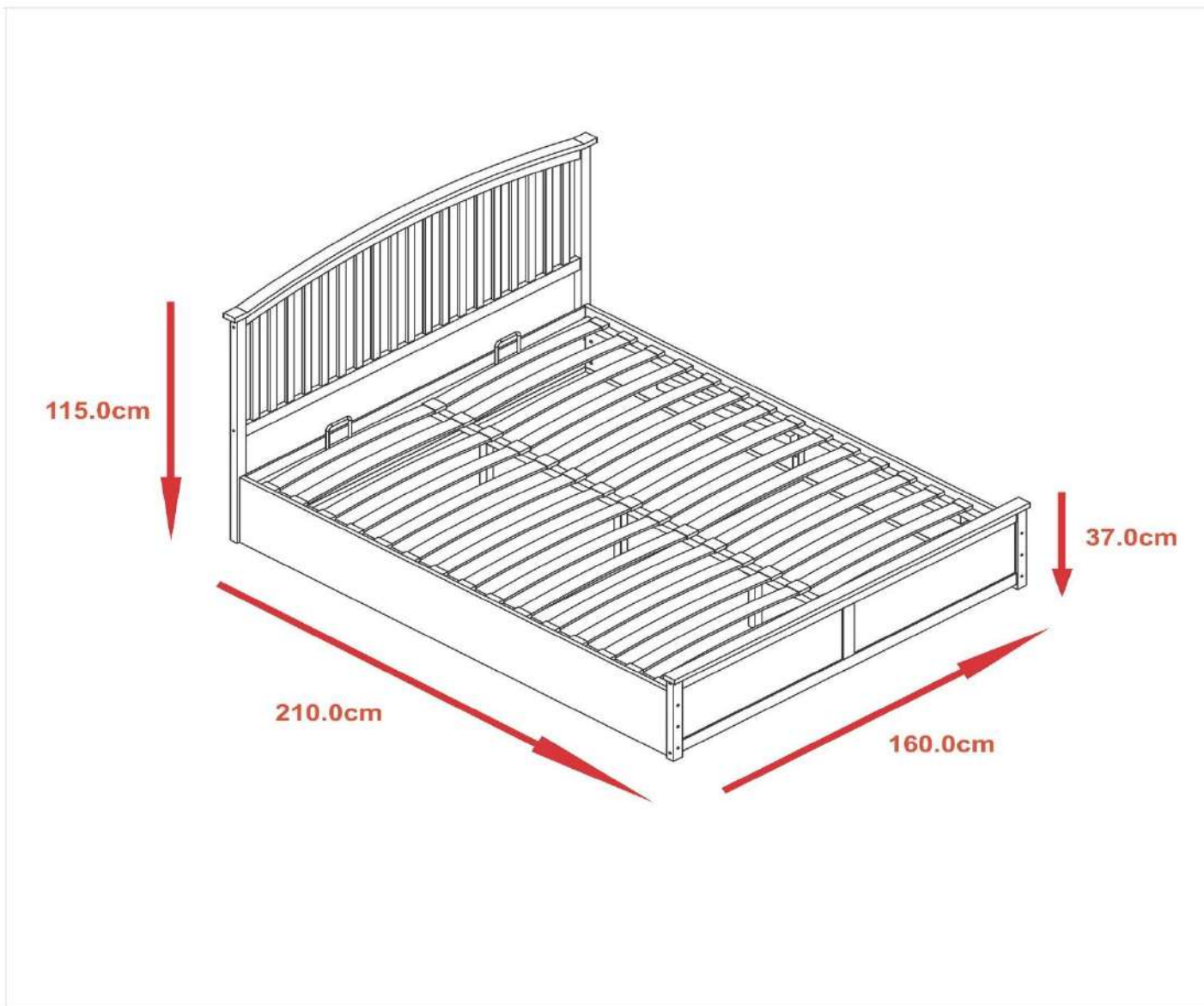



GLOBAL PROCUREMENT AND MARKETING LIMITED

MADRID END-LIFT OTTOMAN KINGSIZE BED

Assembly Instructions – Please keep for future reference

SKU: BEDMADOTK



Dimensions	No. people	Assembly Time	OW #
Width: 160.0 cm Depth: 210.0 cm Height: 115.0 cm		60 mins (approx.)	SKU: BEDMADOTK

thank you

For purchasing this
GPM Limited
product

Important


- PLEASE READ THESE INSTRUCTIONS FULLY BEFORE STARTING ASSEMBLY
- PLEASE DO NOT THROW THE PACKAGING AWAY UNTIL YOU ARE SATISFIED WITH PURCHASE, GOODS NEED TO BE RETURNED IN ORIGINAL PACKAGING.

If you need help or have damaged or missing parts, please email aftersales@gpmfurniture.co.uk


If you have damaged or missing components,
email: aftersales@gpmfurniture.co.uk

Important – Please read these instructions fully before starting assembly


If you need help or have damaged or missing parts, please email aftersales@gpmfurniture.co.uk

 **Safety and Care Advice**

Important – Please read these instructions fully before starting assembly

- Check you have all the components, parts, hardware and tools listed on pages 3, 4.
- Remove all fittings from the plastic bags and separate them into their groups.
- Keep children and animals away from the work area, small parts could choke if swallowed.
- Make sure you have enough space to lay out the parts before starting.
- Do not stand or put weight on the product, this could cause damage.
- Assemble the item as close to its final position (in the same room) as possible.
- Assemble on a soft, level surface to avoid damaging the unit or your floor.
- We do not recommend the use of power drill/drivers for inserting screws, as this could damage the unit.
 Only use hand screwdrivers.
- Dispose of all packaging carefully and responsibly.

HELPFUL HINTS

- Please read through the assembly instructions thoroughly before you begin.
- Check all fittings and panels against the parts list to ensure that you have everything before you start. In the unlikely event that any parts are missing, please contact your retailer immediately.
- Remove all fittings from the plastic bags and separate them into their groups in a bowl or other container to stop any small parts being lost.
- Do not use any tool that's not listed in these assembly instructions. The use of power tools is NOT advised, this could damage your product and cause over tightening to occur.
- Assemble the item as close to its final position (in the same room) as possible.
- Make sure you have enough space to layout the parts before starting.
- Assemble on a soft level surface to avoid damaging the unit or your floor.
- Parts of the assembly will be easier with 2 people. Look for this logo 
- Check you have all the components and tools listed on the next page.

SAFETY

- Keep children and animals away from the work area, small parts could cause choking if swallowed.
- Dispose of all packaging carefully and responsibly.

Care and Maintenance

- Only clean using a damp cloth and mild detergent, do not use bleach or abrasive cleaners.
- From time to time check that there are no loose screws on this unit.
- This product should not be discarded with household waste. Take to your local authority waste disposal centre.

**If you are unhappy with the product and wish to return it,
please follow the retailer's returns procedure.**

IMPORTANT INFORMATION

OTTOMAN OPERATING INSTRUCTIONS

Once your bed frame is completely assembled, the slat frame unit will not operate correctly unless a mattress is placed on the slat frame. Position the mattress onto the slat frame whilst it is in the closed position.

The pistons used in the construction of this product are extremely strong and cannot be operated by hand when not fitted to the ottoman hinges. All pistons are tested in the factory for correct pressure and operation before use.

Initially it might appear that the pistons are very stiff when opening and closing the ottoman frame, THIS IS NORMAL.

After operating the ottoman a few times, the movement of the pistons and the opening and closing of the ottoman will become easier.

PLEASE NOTE - It takes a lot of force to make the initial movement of the ottoman. **THIS IS A DESIGN FEATURE OF THE PRODUCT SO THAT IT DOES NOT FALL SHUT.**

When the ottoman is almost shut, it will close completely under its own weight. The speed of closing depends on the weight of the mattress so always keep fingers clear of the frame.

Periodically check and tighten bolts to ensure that the components are tight and secure.

When lowering the slat unit for the first time, take care to make sure it does not rub unevenly on the inside face of the Side Rail. If it does, the bed has been assembled slightly out of square. This can be rectified by moving the Footboard of the bed slightly to the left or right whilst leaving the headboard of the bed frame stationary.

If you are experiencing difficulty with the initial compression try fitting one piston at a time (following the Assembly Instructions) then press down on the side of the frame with the piston fitted - this acts like a big lever (The weight of the mattress can be used to supplement the load exerted). Effectively you are doubling the amount of force applied, because you have halved the resistance offered by the pistons. It can take slightly more effort than you might feel comfortable applying to the bed frame at first.

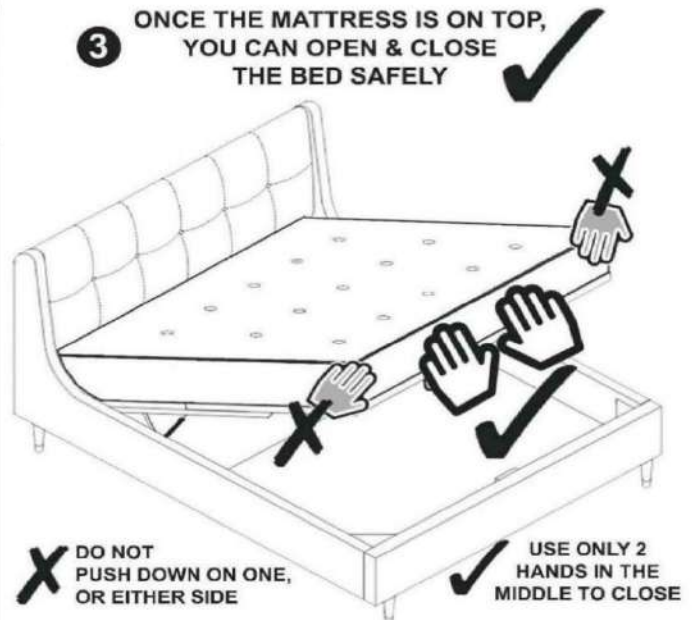
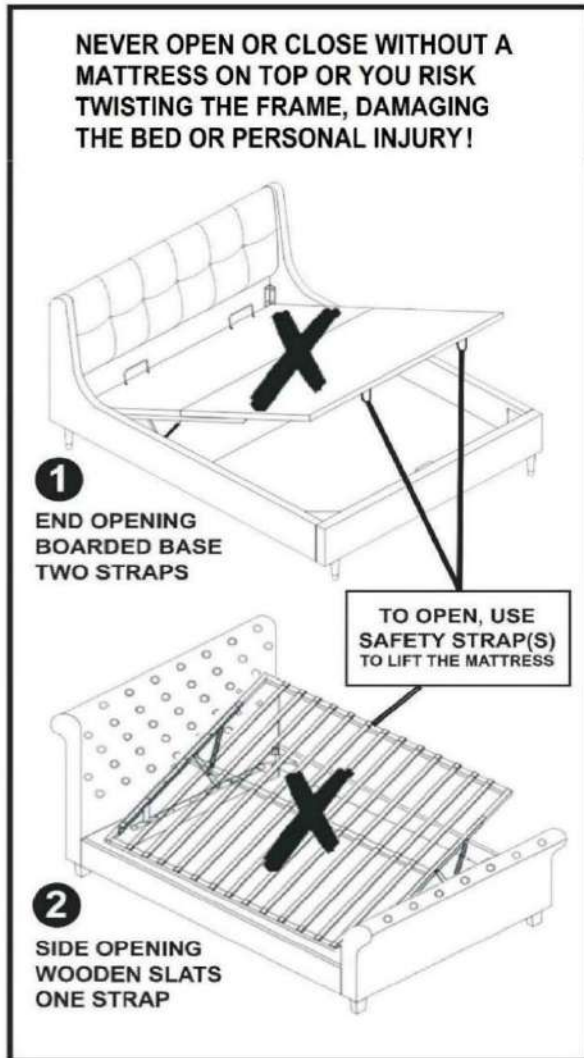
WARNING

For the safety of yourselves and others, please ensure that:

- **Children and pets are not left unattended when the frame is in the lifted position as they could become trapped inside the ottoman space.**
- **Please keep children and pets away from the ottoman bedstead whilst opening and closing the slat frame to avoid injury.**
- **The items store under the bed - i.e. the top of an item must not touch the underside of the mattress metal frame base or it may get damaged.**

ATTENTION Important Notes Regarding Gas Lifts

This information applies to all types of gas lift storage, regardless of the base top: boarded base **1** or wooden slats **2** and regardless of opening configuration: end opening **1** / side opening **2**

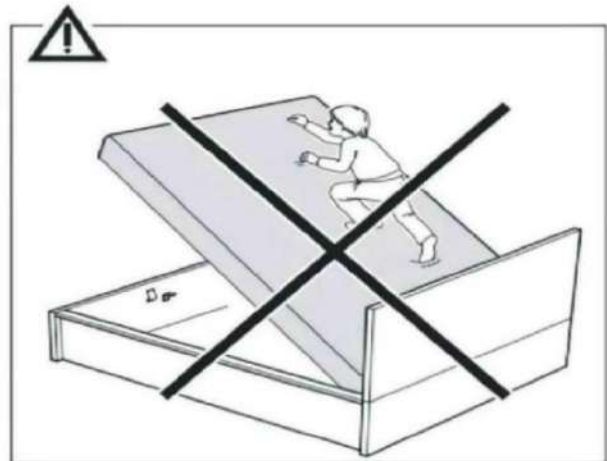
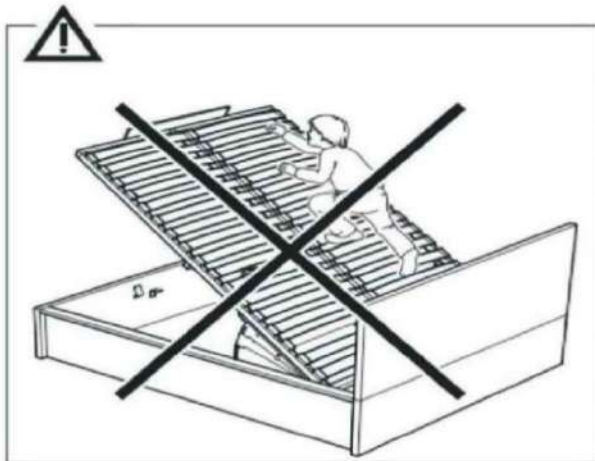
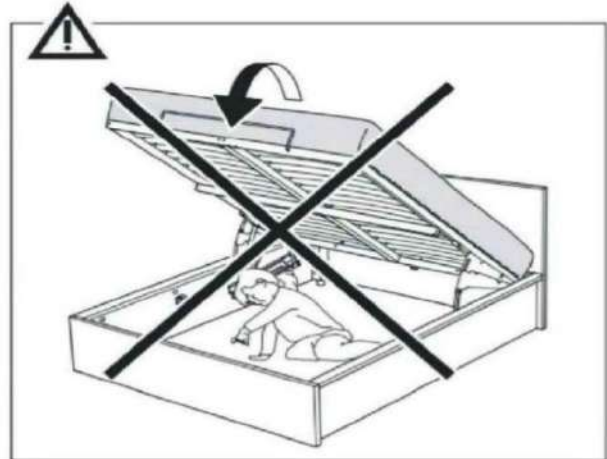
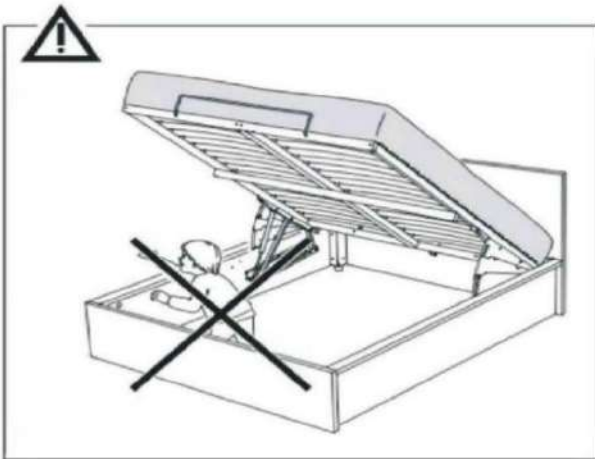


Once all the nuts and bolts are tightened firmly, the first time you close the lifting mechanism, push down with extra pressure to force open the seals on the pistons. This will feel like a lot of pressure, so be firm and it will close!

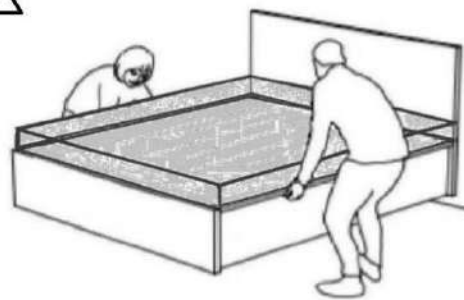
1. NEVER operate without a mattress on top. Failure to do so will damage the bed.
2. Close by pushing down firmly, with both hands towards the centre, with equal pressure.
3. NEVER push down on only one side or edge, or you will damage your bed.
4. NEVER sleep on the bed frame without a mattress.
5. Please remember to re-tighten all nuts & bolts within the bed frame after 2 weeks of use.

Hints and Tips

Failure to do so may result in injury.



Bed frame must be in it's CLOSED position when moving the bed.



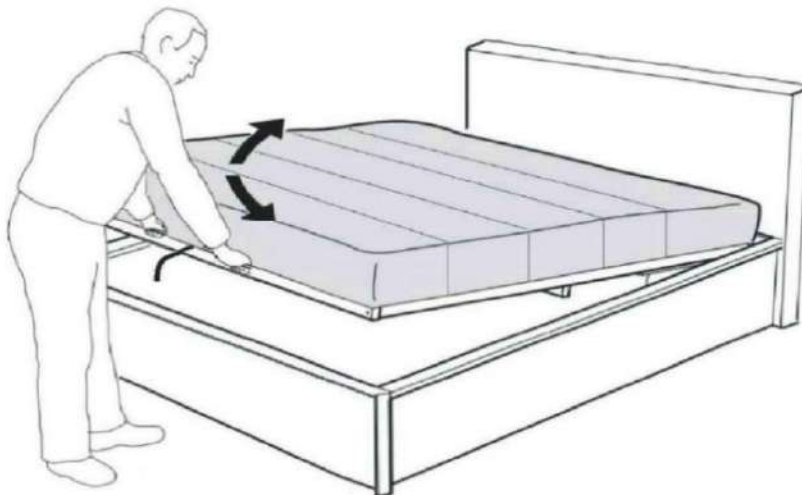
Hints and Tips

Failure to do so may result in injury.

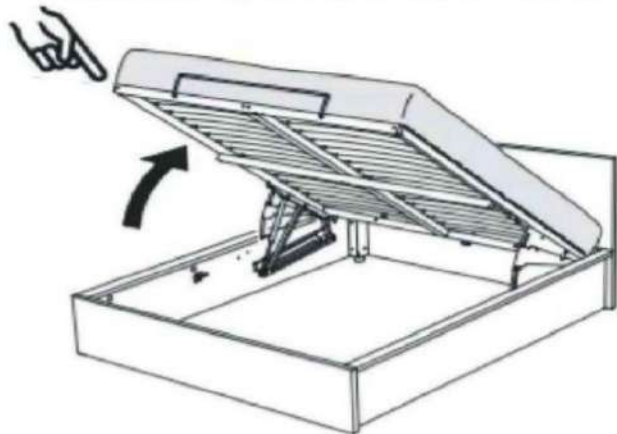
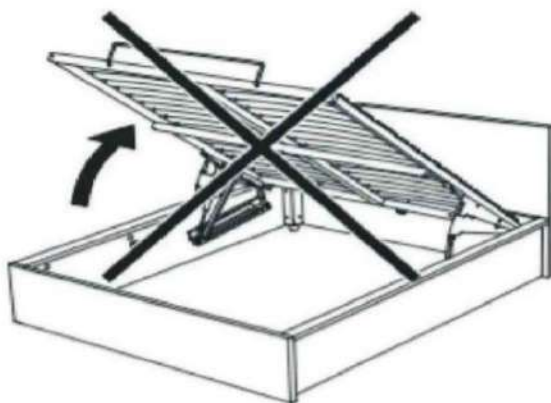
To operate the ottoman, always use two hands at arm's length to push down on the bed frame end, in between the 2 rows of slats (as shown below) to close the bed frame.

To open, lift up using the nylon strap on the bed end. You must always ensure the mattress is on the bed frame before lifting to open and close the bed frame.

The weight of the mattress loaded on the frame helps to close the bed frame easier and with less effort, also keep the frame in its closed position until it is pulled upwards by the user.

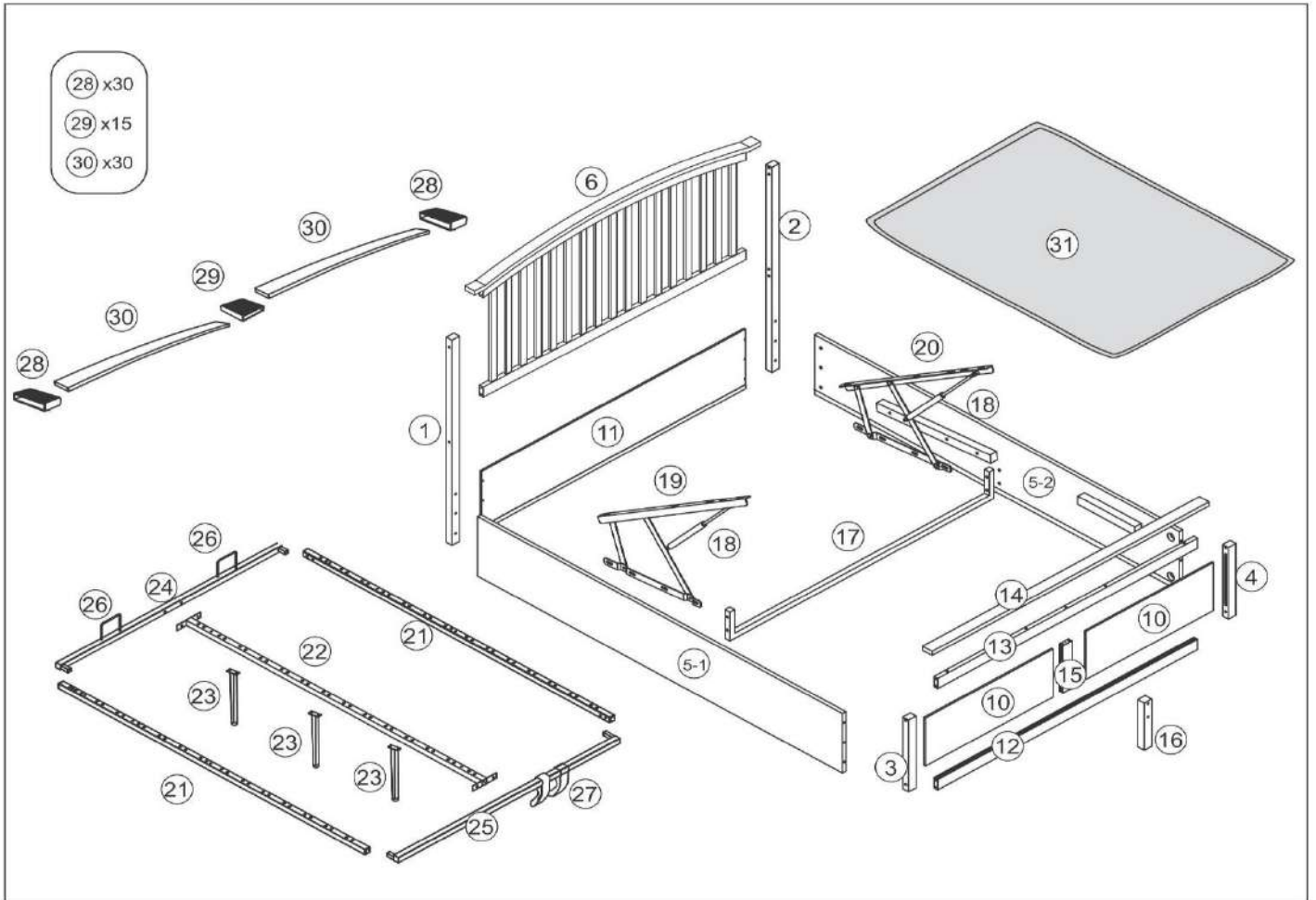


Always ensure a Mattress is on the bed frame



Components – Parts

Please check that you have all the components listed below before constructing your item.



If you have damaged or missing components,
email: aftersales@gpmfurniture.co.uk

Components - Parts

Please check that you have all the components listed below before constructing your item.



















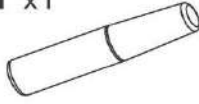


Part No	Description	Qty
1	Headboard Post (Left)	1
2	Headboard Post (Right)	1
3	Footboard Post (Left)	1
4	Footboard Post (Right)	1
5-1	Side Rail (Left)	1
5-2	Side Rail (Right)	1
6	Headboard Bottom stretcher	1
10	Footboard Center Panel	2
11	Headboard Bottom Panel	1
12	Footboard Bottom Stretcher	1
13	Footboard Top Stretcher	1
14	Footboard Crown	1
15	Footboard Vertical Center Divider	1
16	Metal Frame Support	1
17	Side Rail Center Stretcher	1
18	Gas Lift Piston	2
19	Folding Mechanism (Left)	1
20	Folding Mechanism (Right)	1
21	Side Frame Rail	2
22	Centre Support Rail	1
23	Centre Support Leg	3
24	Head End Frame Rail	1
25	Foot End Frame Rail	1
26	Mattress Stopper	2
27	Lifting Handle Strap	1
28	End Slat Cap	30
29	Centre Slat Cap	15
30	Slat	30
31	Non-Woven Fabric	1

Components - Fixings

If you have damaged or missing components,
email: aftersales@gpmfurniture.co.uk

Please check that you have all the components listed below before constructing your item.

Note: The quantities below are the correct amount to complete the assembly. In some cases more fittings may be supplied than are required.

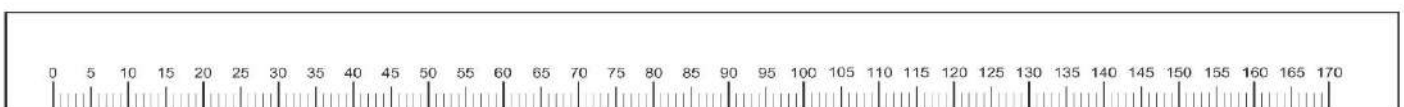
A x4  Wood Dowel Φ8x30mm	B x8  Wood Dowel Φ6x30mm	C x8  Bolt Φ6x70mm	D x6  Bolt M6x65mm	E x6  T-Nut
F x6  Bolt M6x50mm	G x4  Bolt M6x35mm	H x6  Stud M6x60mm	J x6  Nut M6	K x6  Half Moon Washer
L x1  Spanner M6	M x1  Allen Key M4	N x8  Bolt & Washer Φ8x20mm	O x24  Bolt Φ8x15mm	P x4  Nut M8
Q x1  Spanner M10	R x1  Allen Key M5	S x2  Screw Φ4x50mm	T x1  Wood Glue	U x6  Screw Φ4x20mm
I x1  Screw driver (not provided)				

Tools Required



NOTE: SCREW DRIVER & HAMMER ARE NOT PROVIDED.

Ruler – Use this to measure your screws (mm)



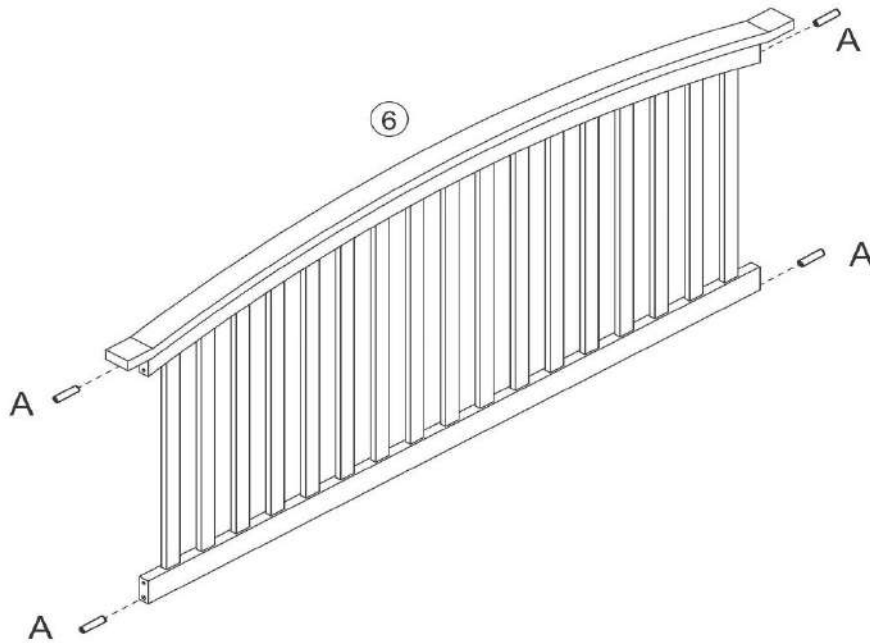
Important – Please read these instructions fully before starting assembly


If you need help or have damaged or missing parts, please email aftersales@gpmfurniture.co.uk

Assembly Instructions

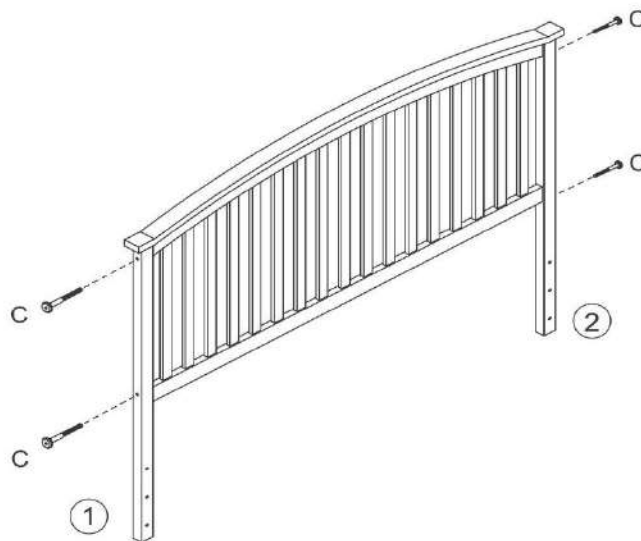
If you have damaged or missing components,
email: aftersales@gpmfurniture.co.uk


Step 01



A x4

Wood Dowel
Φ8x30mm

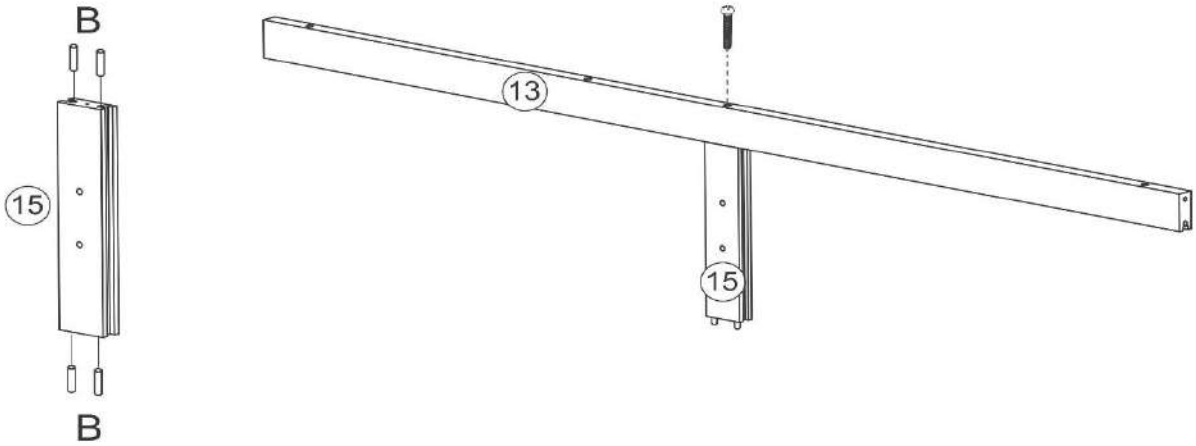
Step 02




C x4

Bolt
Φ6x70mm

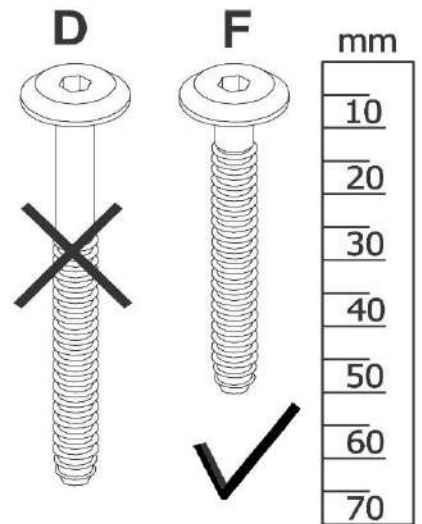
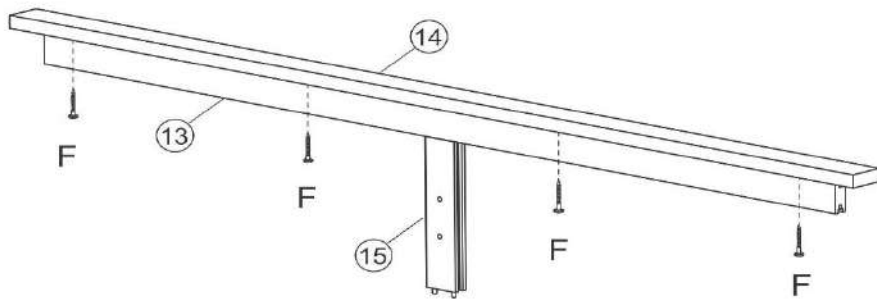
Step 03


B x4	S x1
	
Wood Dowel Φ6x30mm	Screw Φ4x50mm



Step 04

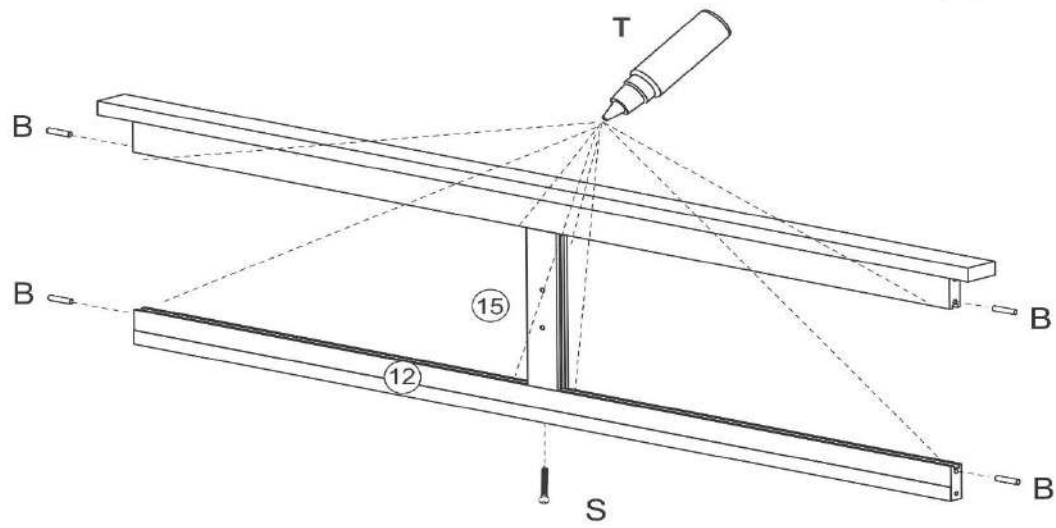
NOTE:  Use Bolt "F" to attached Top Footboard Stretcher "13" to Footboard Crown "14".



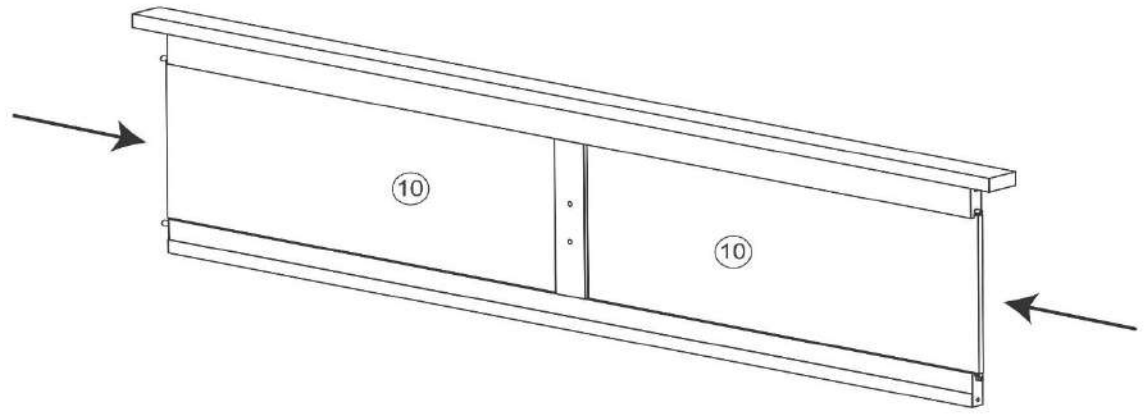
F x4

Bolt M6x50mm

Step 05

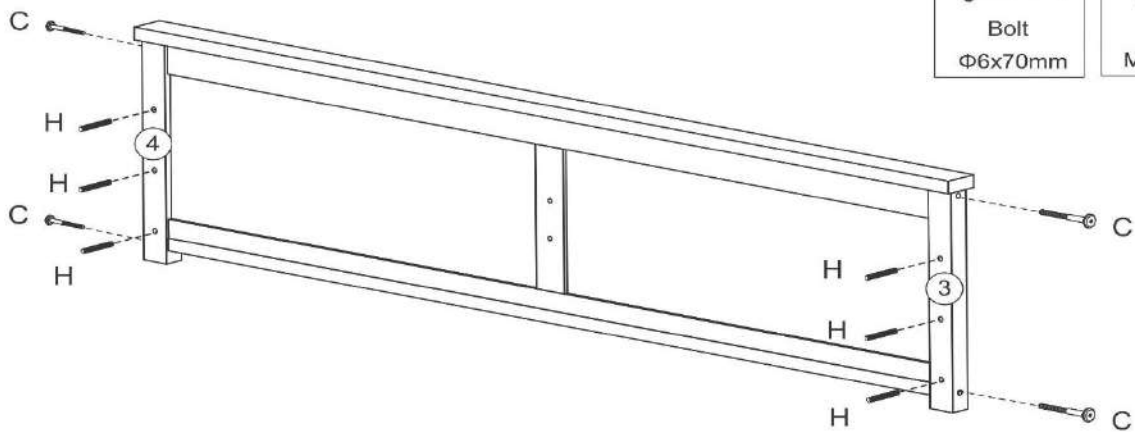
- B x4**
Wood Dowel
Φ6x30mm
- S x1**
Screw
Φ4x50mm
- T x1**
Wood Glue



Step 06



Step 07

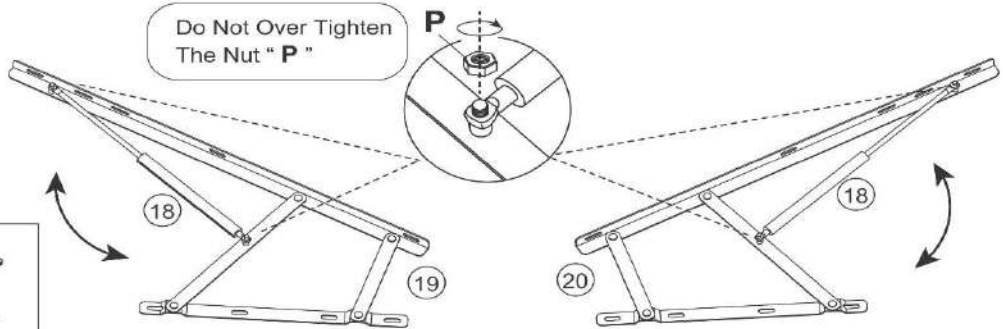


C x4
Bolt
Φ6x70mm

H x6
Stud
M6x60mm

Step 08

Do Not Over Tighten
The Nut "P"

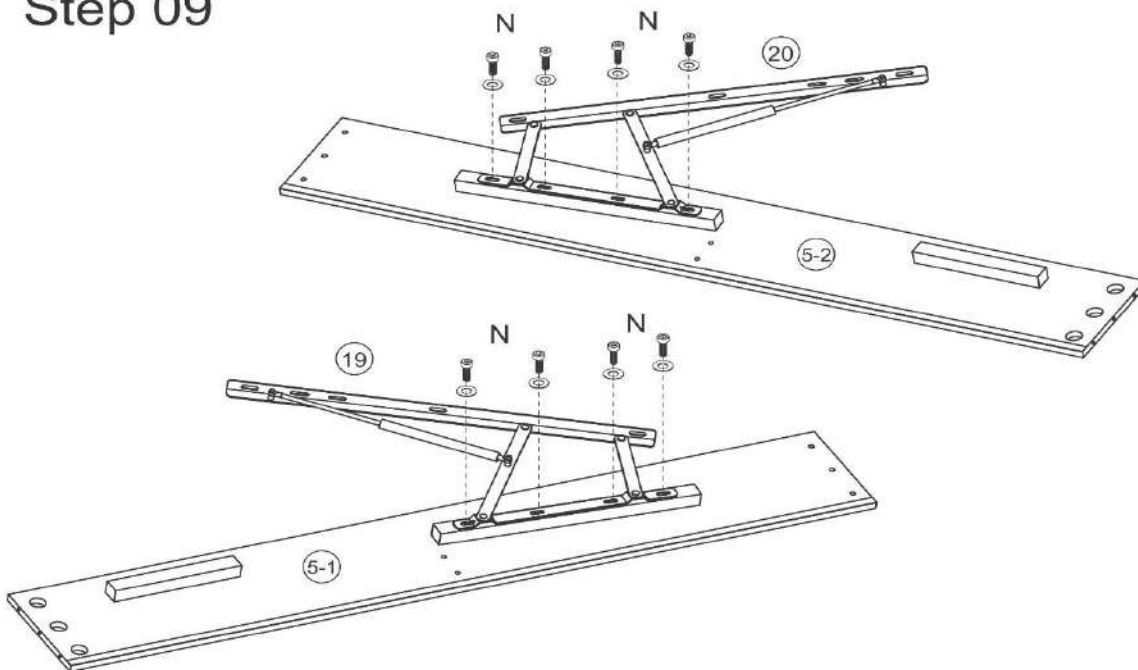


P x4
Nut
M8

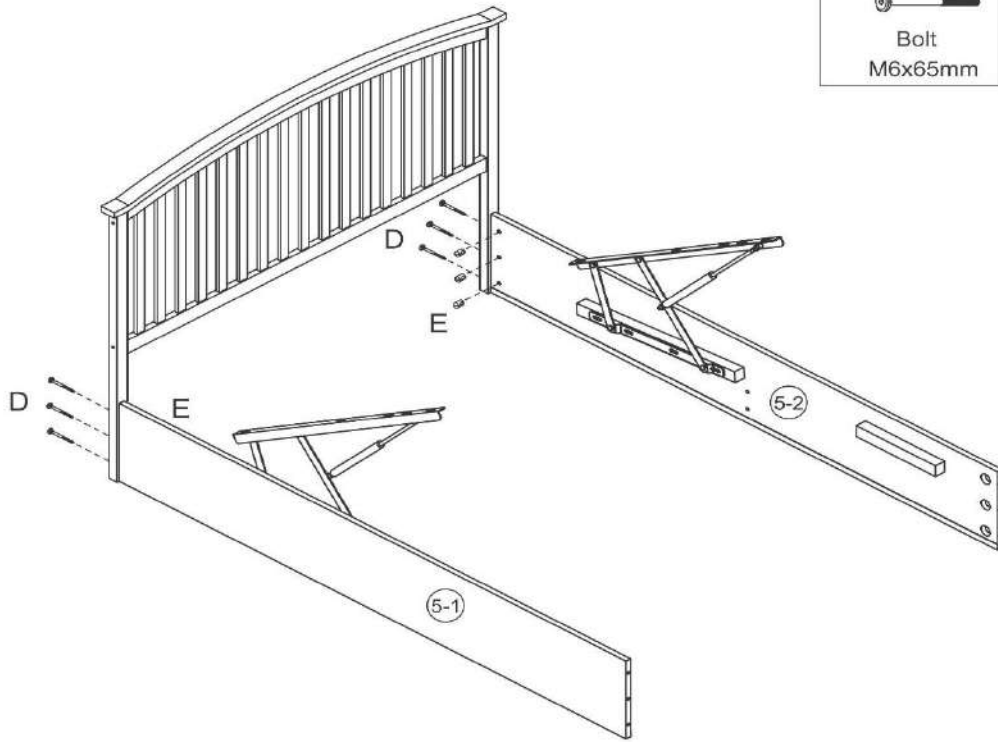
Q x1
Spanner
M10



Step 09

N x8
Bolt & Washer
Φ8x20mm

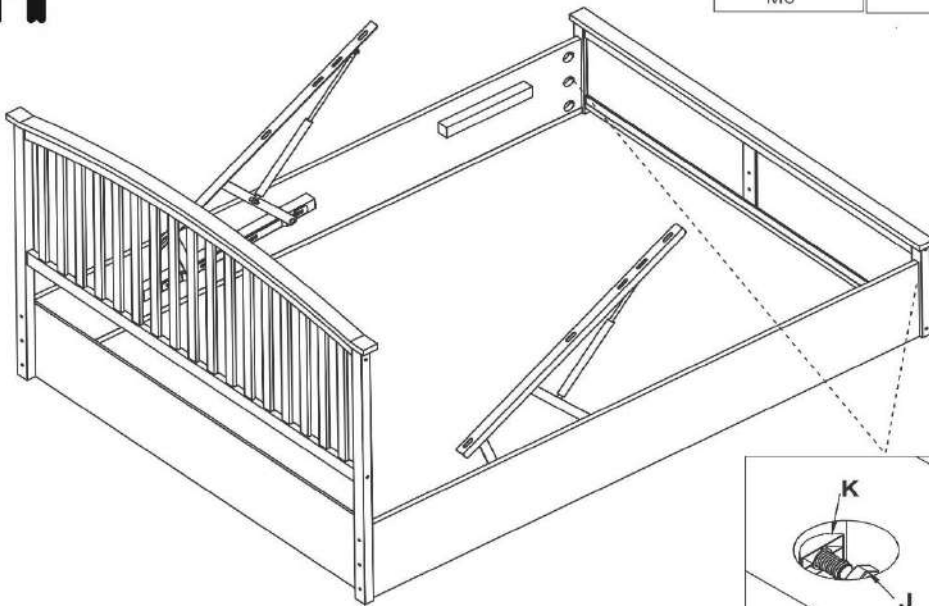


Step 10

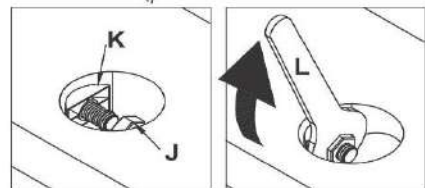


D x6  Bolt M6x65mm	E x6  T-Nut
---	---

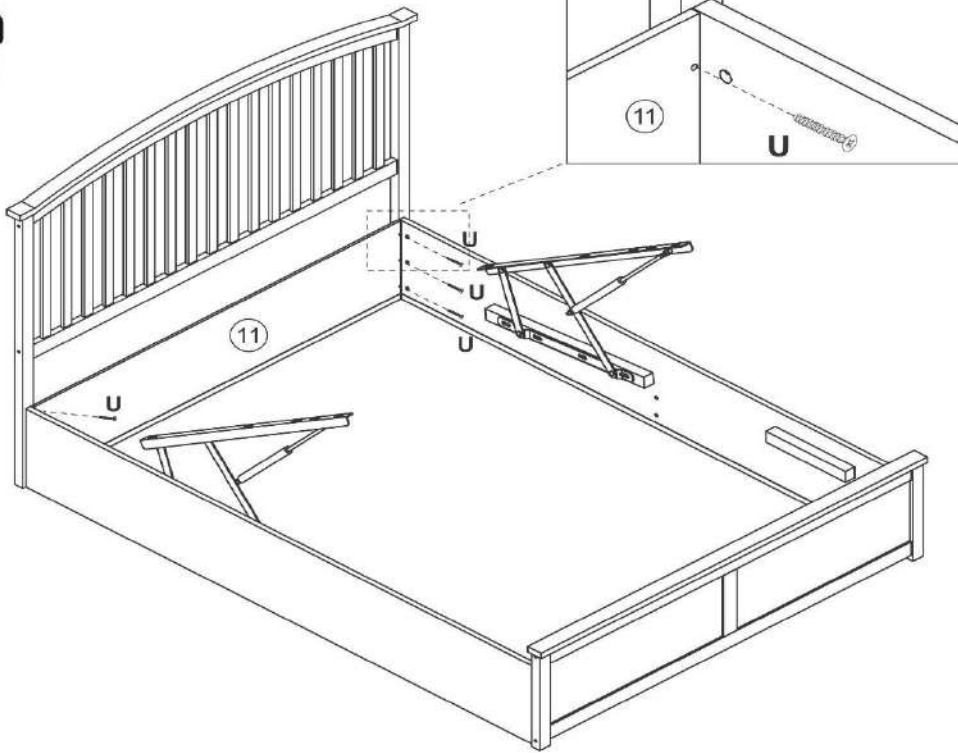
Step 11



J x6  Nut M6	K x6  Half Moon Washer	L x1  Spanner M6
--	--	---

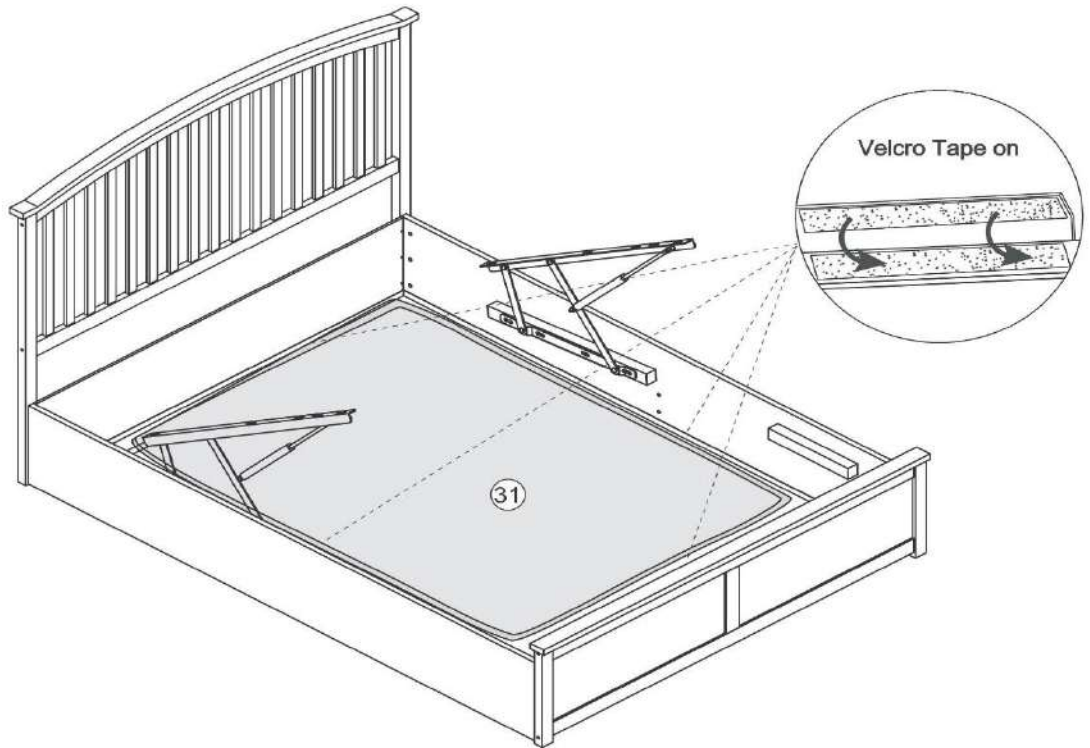


Step 12



U x6
Screw
Φ4x20mm

Step 13

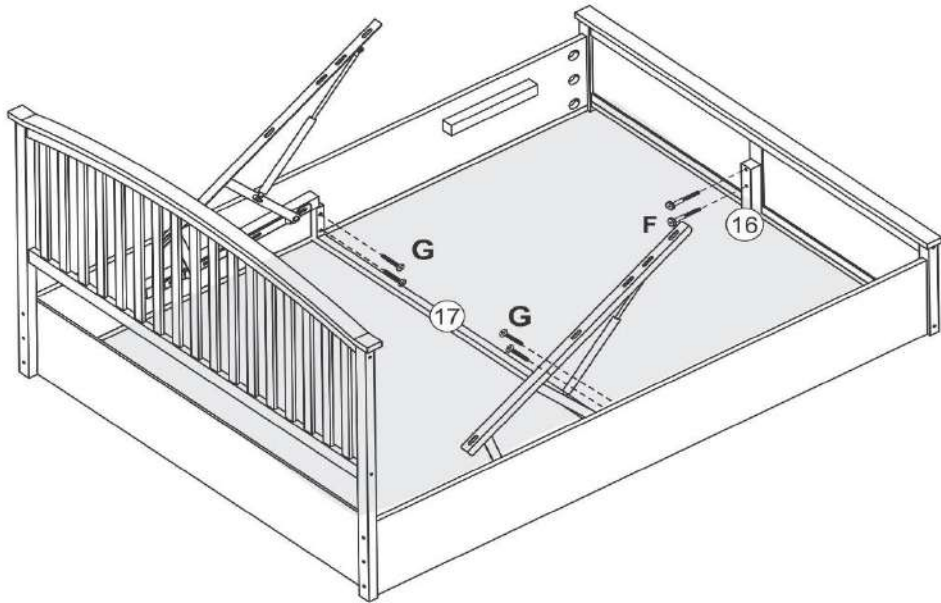


Velcro Tape on

Step 14

G x4
Bolt
M6x35mm

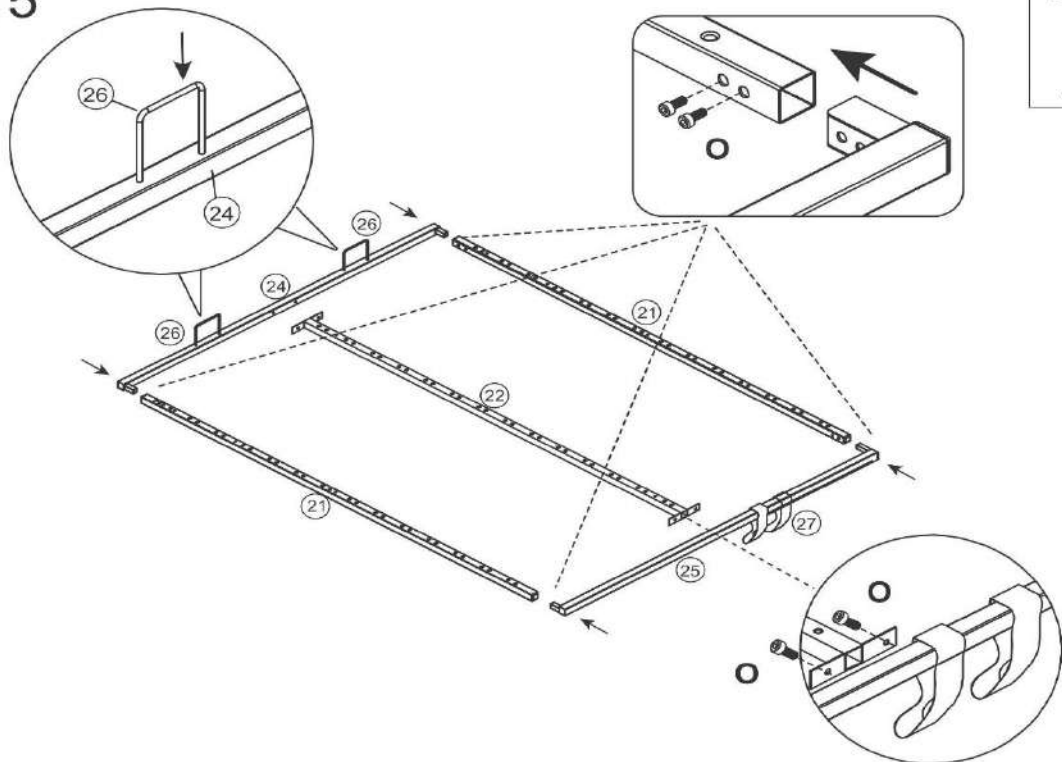
F x2
Bolt
M6x50mm



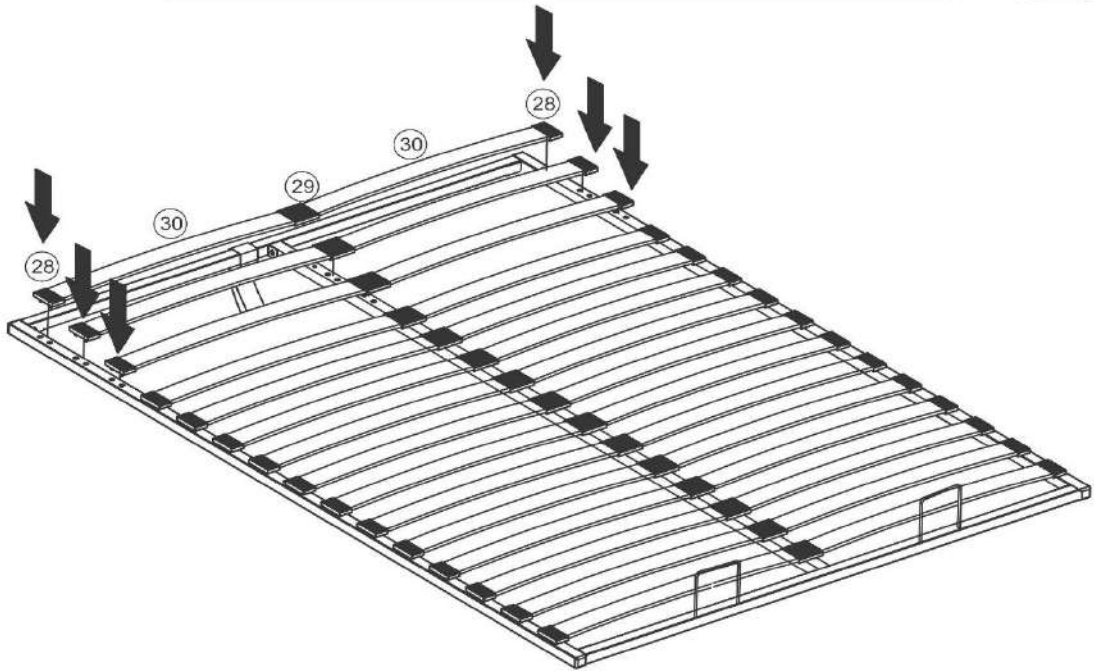
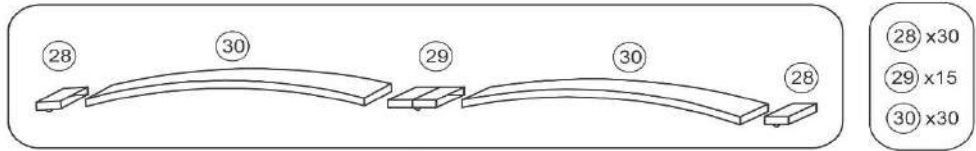
Step 15



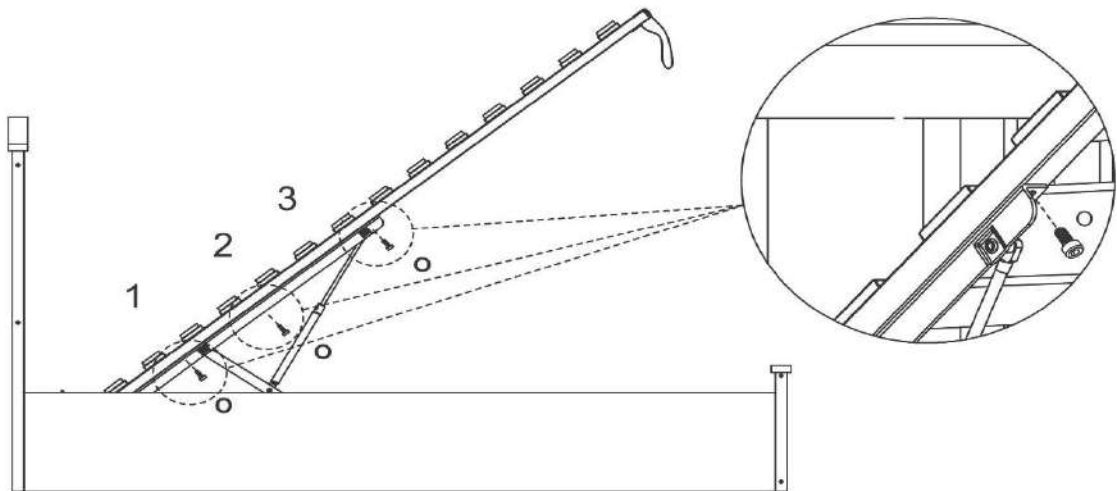
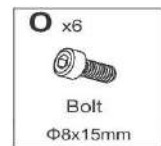
O x12
Bolt
Φ8x15mm



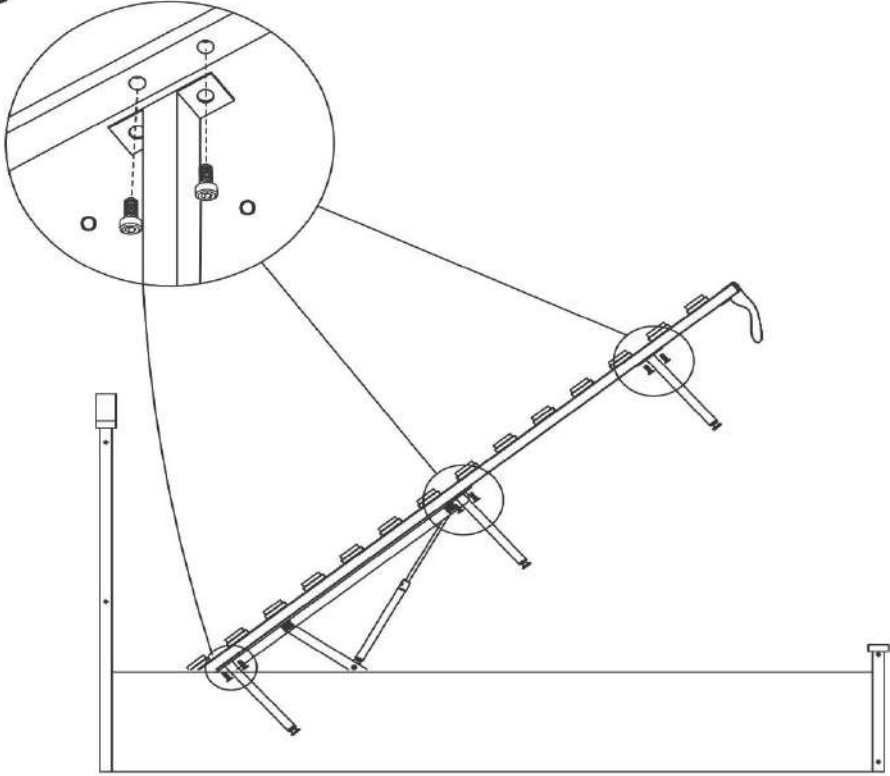
Step 16



Step 17



Step 18



Step 19

Assembly Complete

