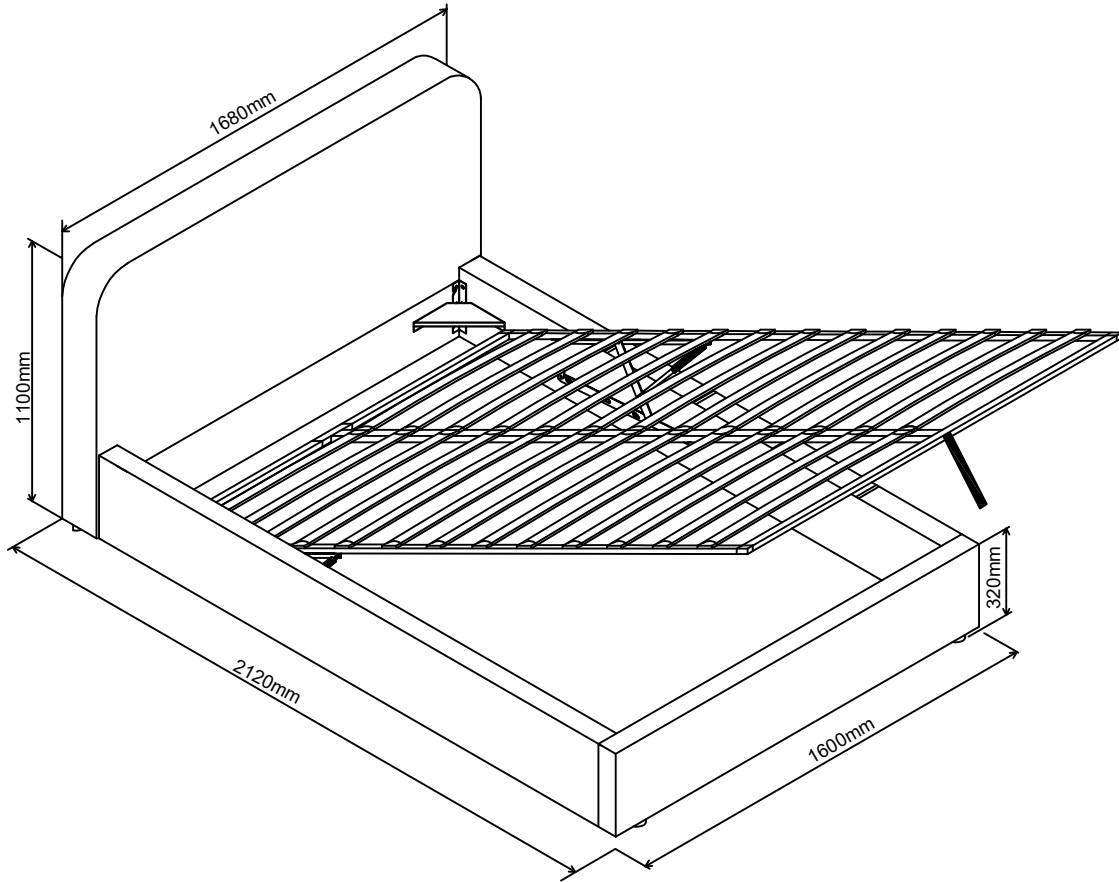


# SERENITY BED( 5 ft )

Assembly Instructions –Please keep for future reference

BEDSER5BC



*thank you*

For purchasing this  
**GPM Limited**  
product

	NO.people	Assembly Time	OW #
Width: HB 168 cm Width: FB 160 cm Length: 212 cm Height: HB 110cm Height: FB 32 cm		45 mins (approx.)	BEDSER5BC

### Important

- PLEASE READ THESE INSTRUCTIONS FULLY BEFORE STARTING ASSEMBLY
- PLEASE DO NOT THROW THE PACKAGING AWAY UNTIL YOU ARE SATISFIED WITH PURCHASE, GOODS NEED TO BE RETURNED IN ORIGINAL PACKAGING.


If you need help or have damaged or missing parts, please email [aftersales@gpmfurniture.co.uk](mailto:aftersales@gpmfurniture.co.uk)

**Important**–Please read these instructions fully before starting assembly


If you need help or have damaged or missing parts, please email [aftersales@gpmfurniture.co.uk](mailto:aftersales@gpmfurniture.co.uk)

# Safety and Care Advice

**Important – Please read these instructions fully before starting assembly**

- Check you have all the components, parts, hardware and tools listed on page 3 & 4.
- Remove all fittings from the plastic bags and separate them into their groups.
- Keep children and animals away from the work area, small parts could choke if swallowed.
- Make sure you have enough space to lay out the parts before starting.
- Do not stand or put weight on the product, this could cause damage.
- Assemble the item as close to its final position (in the same room) as possible.
- Assemble on a soft, level surface to avoid damaging the unit or your floor.
- We do not recommend the use of power drill/drivers for inserting screws, as this could damage the unit.  Only use hand screwdrivers.
- Dispose of all packaging carefully and responsibly.

## HELPFUL HINTS

- Please read through the assembly instructions thoroughly before you begin.
- Check all fittings and panels against the parts list to ensure that you have everything before you start. In the unlikely event that any parts are missing, please contact your retailer immediately.
- Remove all fittings from plastic bags and separate them into their groups in a bowl or other container to stop any small parts being lost.
- Do not use any tools that's not listed in the assembly instructions. The use of power tools is NOT advice, this could damage your product and cause over tightening to occur.
- Assemble the item as close to its final position (in the same room) as possible.
- Make sure you have enough space to layout the parts before starting.
- Assemble on a soft level surface to avoid damaging the unit or your floor.
- Parts of the assembly will be easier with 2 people. Look for this logo. 
- Check you have all the components and tools listed on the next page.

## SAFETY

- Keep Children and animals away from the work area, small parts could cause choking if swallowed.
- Dispose of all packaging carefully and responsibly.

## Care and Maintenance

- Only clean using a damp cloth and mild detergent, do not use bleach or abrasive cleaners.
- From time to time check that there are no loose screws on this unit.
- This product should not be discarded with household waste. Take to your local authority waste disposal centre.

**If you are unhappy with the product and wish to return it, please follow the retailer's returns procedure.**

## IMPORTANT INFORMATION

### OTTOMAN OPERATING INSTRUCTIONS

Once your bed frame is completely assembled, the slat frame unit will not operate correctly unless a mattress is placed on the slat frame. Position the mattress onto the slat frame whilst it is in the closed position.

The pistons used in the construction of this product are extremely strong and cannot be operated by hand when not fitted to the ottoman hinges. All pistons are tested in the factory for correct pressure and operation before use.

**Initially it might appear that the pistons are very stiff when opening and closing the ottoman frame, THIS IS NORMAL.**

After operating the ottoman a few times, the movement of the pistons and the opening and closing of the ottoman will become easier.

**PLEASE NOTE** - It takes a lot of force to make the initial movement of the ottoman. **THIS IS A DESIGN FEATURE OF THE PRODUCT SO THAT IT DOES NOT FALL SHUT.** When the ottoman is almost shut, it will close completely under its own weight. The speed of closing depend on the weight of the mattress so always keep fingers clear of the frame. Periodically check and tighten bolts to ensure that the components are tight and secure.

When lowering the slat unit for the first time, take care to make sure it does not rub unevenly on the inside face of the Side Rail. If it does, the bed has been assembled slightly out of square. This can be rectified by moving the Footboard of the bed slightly to the left or right whilst leaving the headboard of the bed frame stationary.

If you are experiencing difficulty with the initial compression try fitting one piston at a time (following the Assembly Instructions) then press down on the side of the frame with the piston fitted - this acts like a big lever (The weight of the mattress can be used to supplement the load exerted). Effectively you are doubling the amount of force applied, because you have halved the resistance offered by the pistons. It can take slightly more effort than you might feel comfortable applying to the bed frame at first.

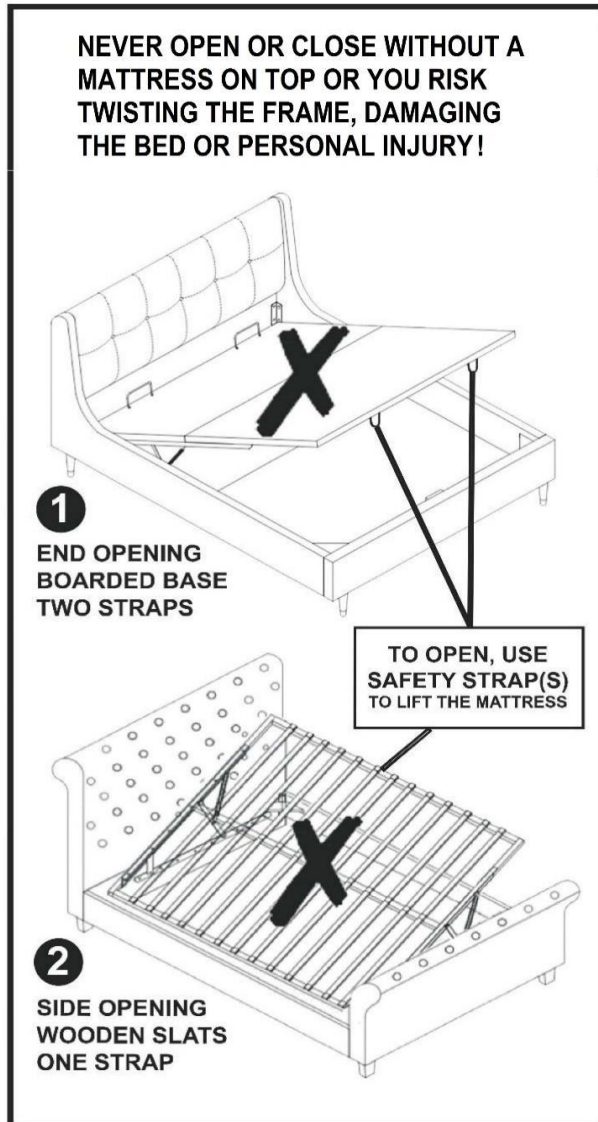
### **WARNING**

**For the safety of yourselves and others, please ensure that:**

- **Children and pets are not left unattended when the frame is in the lifted position as they could become trapped inside the ottoman space.**
- **Please keep children and pets away from the ottoman bedstead whilst opening and closing the slat frame to avoid injury.**
- **The items store under the bed - i.e. the top of an item must not touch the underside of the mattress metal frame base or it may get damaged.**

## ATTENTION Important Notes Regarding Gas Lifts

This information applies to all types of gas lift storage, regardless of the base top: boarded base **1** or wooden slats **2** and regardless of opening configuration: end opening **1** / side opening **2**

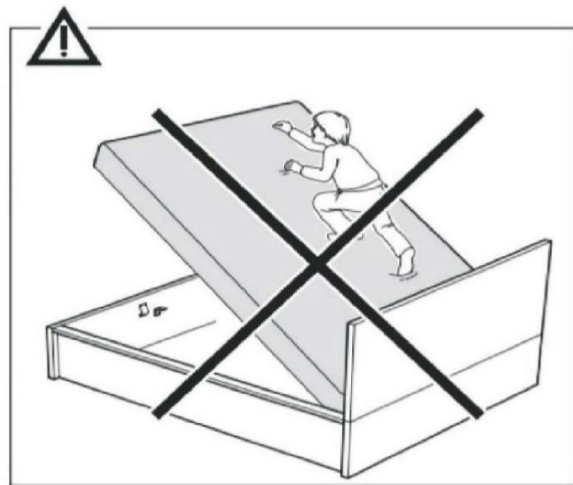
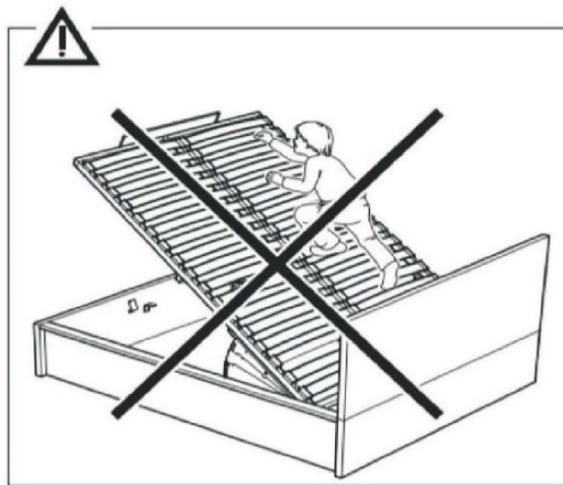
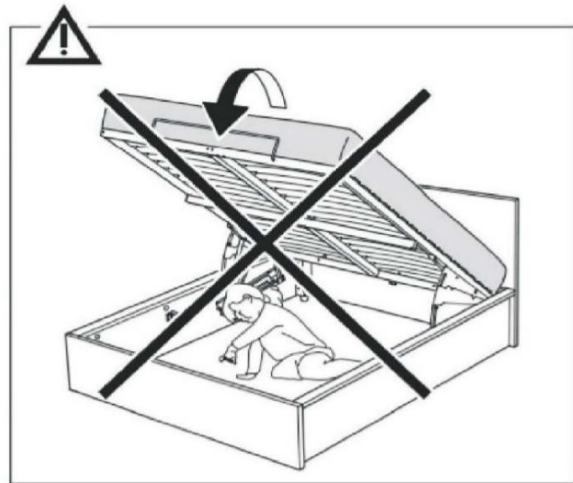
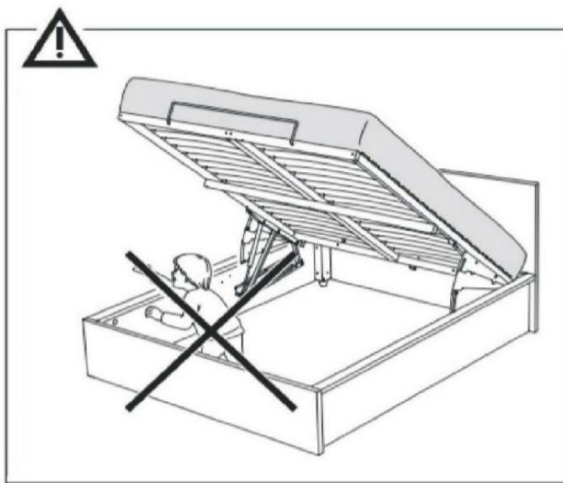


Once all the nuts and bolts are tightened firmly, the first time you close the lifting mechanism, push down with extra pressure to force open the seals on the pistons. This will feel like a lot of pressure, so be firm and it will close!

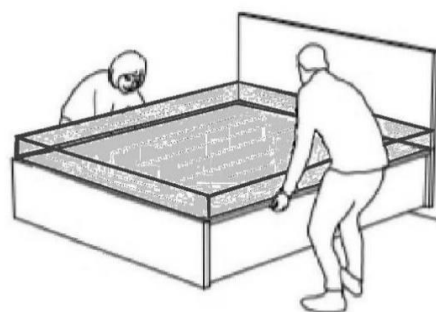
1. NEVER operate without a mattress on top. Failure to do so will damage the bed.
2. Close by pushing down firmly, with both hands towards the centre, with equal pressure.
3. NEVER push down on only one side or edge, or you will damage your bed.
4. NEVER sleep on the bed frame without a mattress.
5. Please remember to re-tighten all nuts & bolts within the bed frame after 2 weeks of use.

## Hints and Tips

Failure to do so may result in injury.



Bed frame must be in CLOSED position when moving the bed.



## Hints and Tips

**Failure to do so may result in injury.**

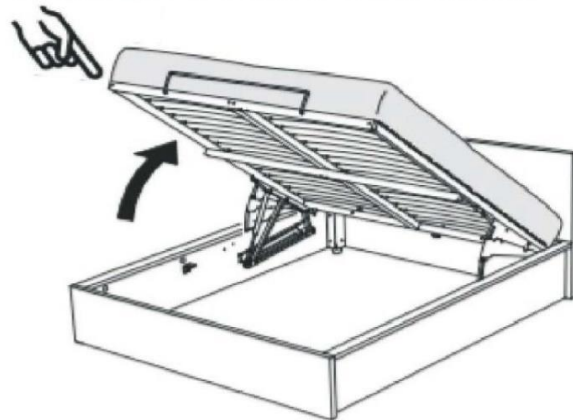
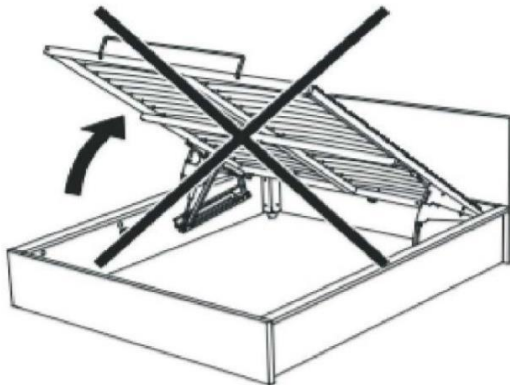
To operate the ottoman, always use two hands at arm's length to push down on the bed frame end, in between the 2 rows of slats (as shown below) to close the bed frame.

To open, lift up using the nylon strap on the bed end. You must always ensure the mattress is on the bed frame before lifting to open and close the bed frame.

The weight of the mattress loaded on the frame helps to close the bed frame easier and with less effort, also keep the frame in closed position until it is pulled upwards by user.



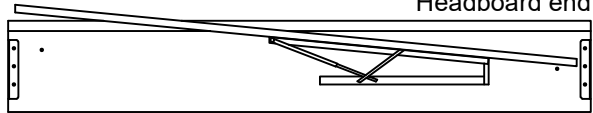

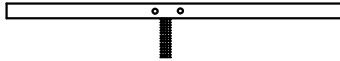
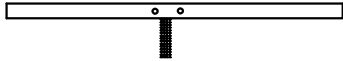
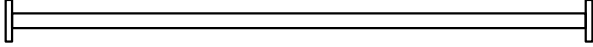
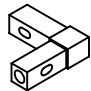
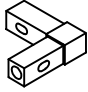
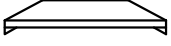
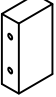
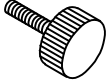





 Always ensure Mattress is on the bed frame



# Components –Part List

If you have damaged or missing components,  
email: [aftersales@gpmfurniture.co.uk](mailto:aftersales@gpmfurniture.co.uk)

 <p><b>1</b> Headboard x1</p>	 <p><b>2</b> Footboard x1</p>	 <p><b>3</b> Left side rail x1</p> <p><b>4</b> Right side rail x1</p>	
 <p><b>5-a</b> Front frame rail x1</p>	 <p><b>5-b</b> Back frame rail x1</p>	 <p><b>6</b> Horizontal frame rail x3</p>	
 <p><b>7</b> Centre frame rail x1</p>		 <p><b>8</b> Plastic bracket sets x4</p>	 <p><b>9</b> Corner brackets x4</p>
 <p><b>10</b> Holding blocks x1</p>	 <p><b>11</b> Adjustable legs x 4</p>	 <p><b>12</b> Bent slats x 30</p>	 <p><b>13</b> Side slat caps x 30</p>
 <p><b>14</b> Centre slat caps x 15</p>	 <p><b>15</b> Woven fabric x1</p>		

# Components –Part List

Please check that you have all the components listed below before constructing your item.

Part No	Description	Qty	Part No	Description	Qty
1	Headboard	1	9	Corner brackets	4
2	Footboard	1	10	Holding blocks	1
3	Left side rail	1	11	Adjustable legs	4
4	Right side rail	1	12	Bent slats	30
5	Front frame rail	1	13	Side slat caps	30
6	Back frame rail	3	14	Centre slat caps	15
7	Centre frame rail	1	15	Woven fabric	1
8	Plastic bracket sets	4			








Important–Please read these instructions fully before starting assembly

If you need help or have damaged or missing parts, please email [aftersales@gpmfurniture.co.uk](mailto:aftersales@gpmfurniture.co.uk)

# Components - Fixings

**Please check that you have all the components listed below before constructing your item.**

**Note:** The quantities below are the correct amount to complete the assembly. In some cases more fittings may be supplied than are required.

(A)	 Bolt M8 x 25mm X12	(B)	 Bolt M6 x 15mm X12	(C)	 Nut X2	(D)	 Bolt M6 x 30mm X6
(E)	 Bolt M6 x 68mm X2	(F)	 Spring Washer X12	(G)	 Flat Washer X12		

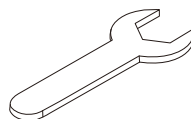
## Tools Required



Allen Key M4

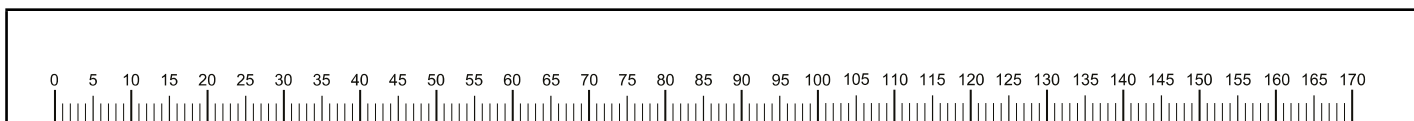


Allen Key M5



Spanner

**Scale Ruler – Use this to measure your screws (mm) ( Actual Ruler Not Provided )**



**Important – Please read these instructions fully before starting assembly**

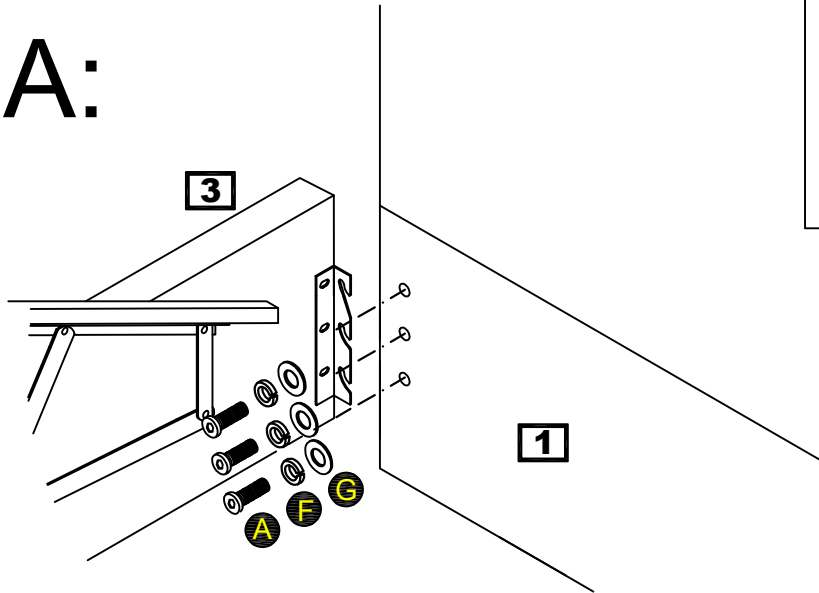
If you need help or have damaged or missing parts, please email [aftersales@gpmfurniture.co.uk](mailto:aftersales@gpmfurniture.co.uk)

# Assembly Instructions

If you have damaged or missing components,  
email: [aftersales@gpmfurniture.co.uk](mailto:aftersales@gpmfurniture.co.uk)

## Step 1:

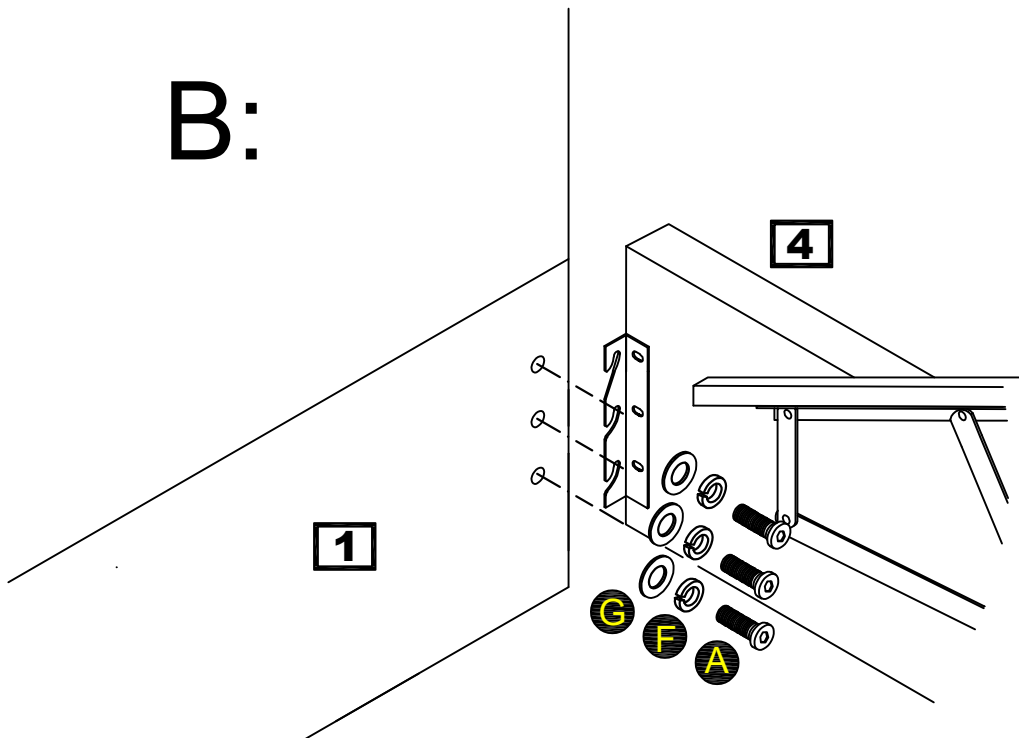
### A:



### Parts Required

- 1 Headboard x1
- 3 Left side rail x1
- 4 Right side rail x1
- A M8x25mm Bolt x6
- F Spring Washer x6
- G Flat Washer x6

### B:



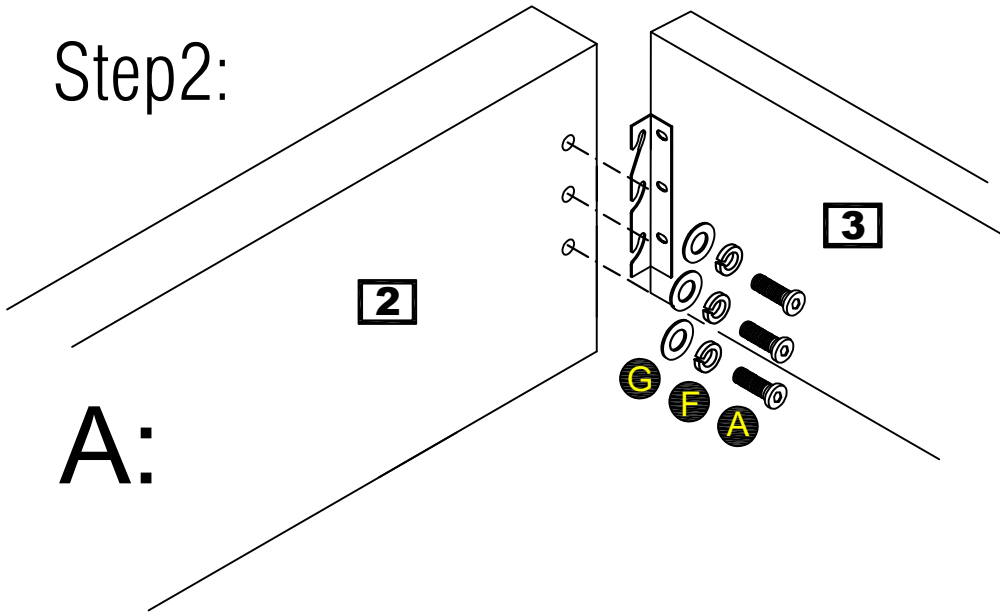
# Assembly Instructions

If you have damaged or missing components,  
email: [aftersales@gpmfurniture.co.uk](mailto:aftersales@gpmfurniture.co.uk)

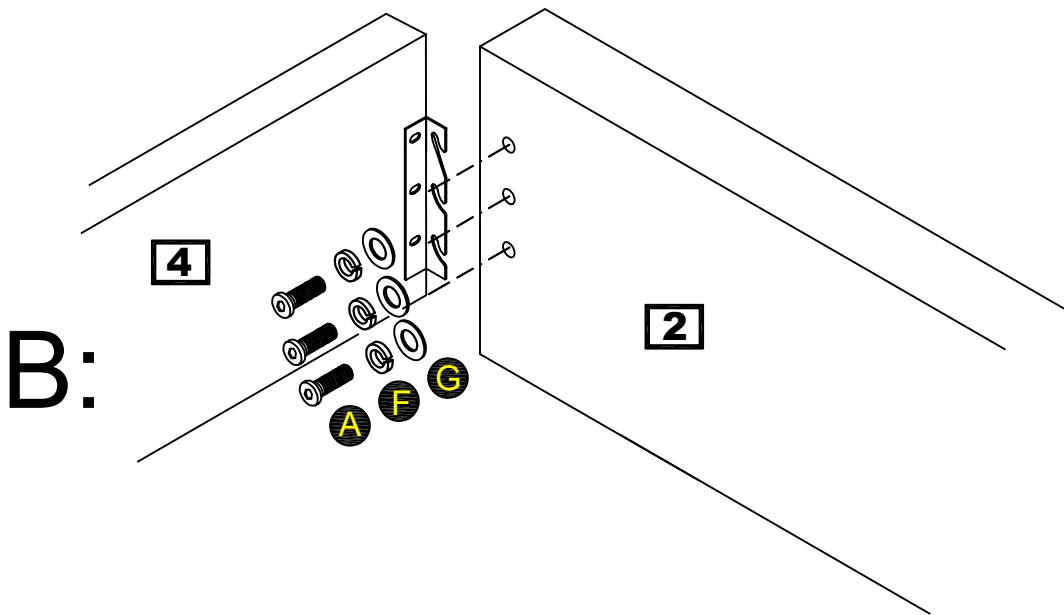
## Parts Required

- 2** Footboard x1
- 3** Left side rail x1
- 4** Right side rail x1
- A** M8x25mm Bolt x6
- F** Spring Washer x6
- G** Flat Washer x6

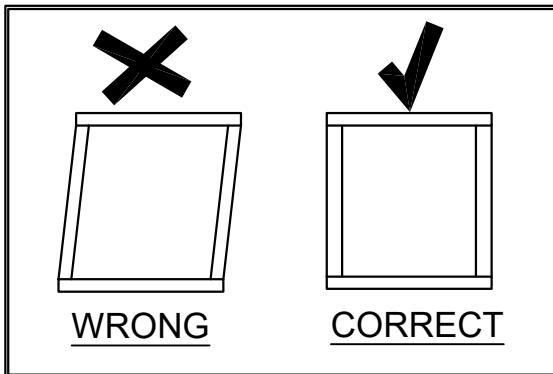
Step2:



A:



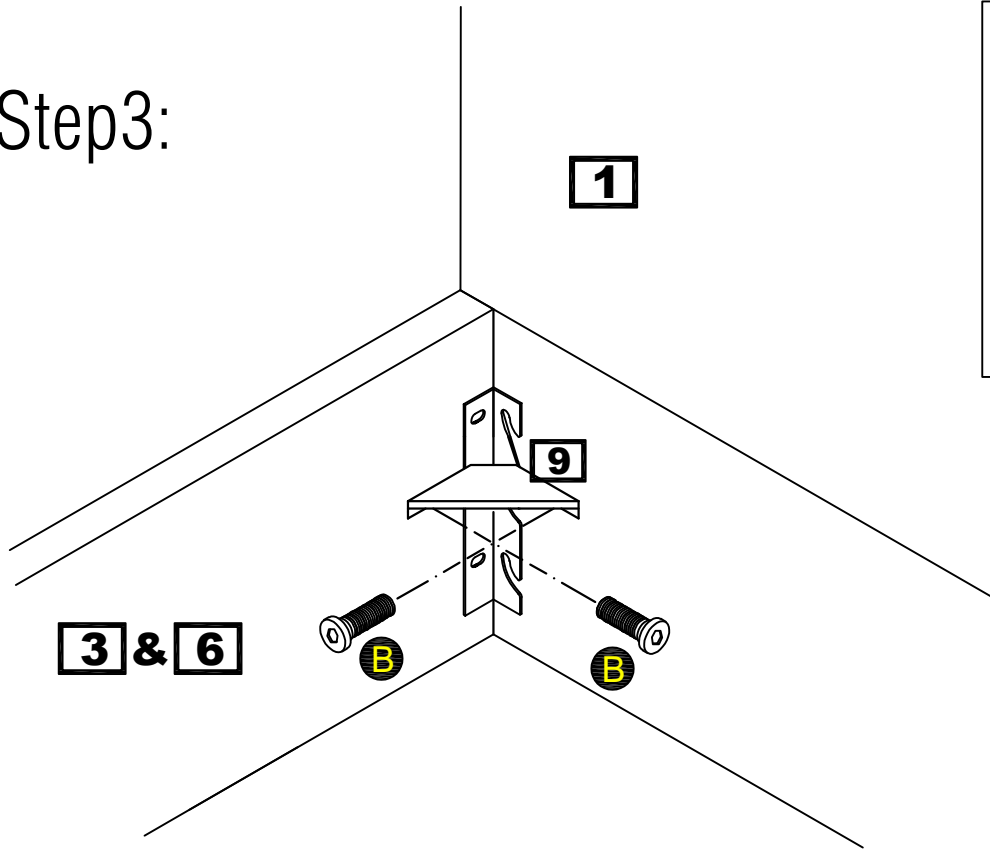
B:



# Assembly Instructions

If you have damaged or missing components,  
email: [aftersales@gpmfurniture.co.uk](mailto:aftersales@gpmfurniture.co.uk)

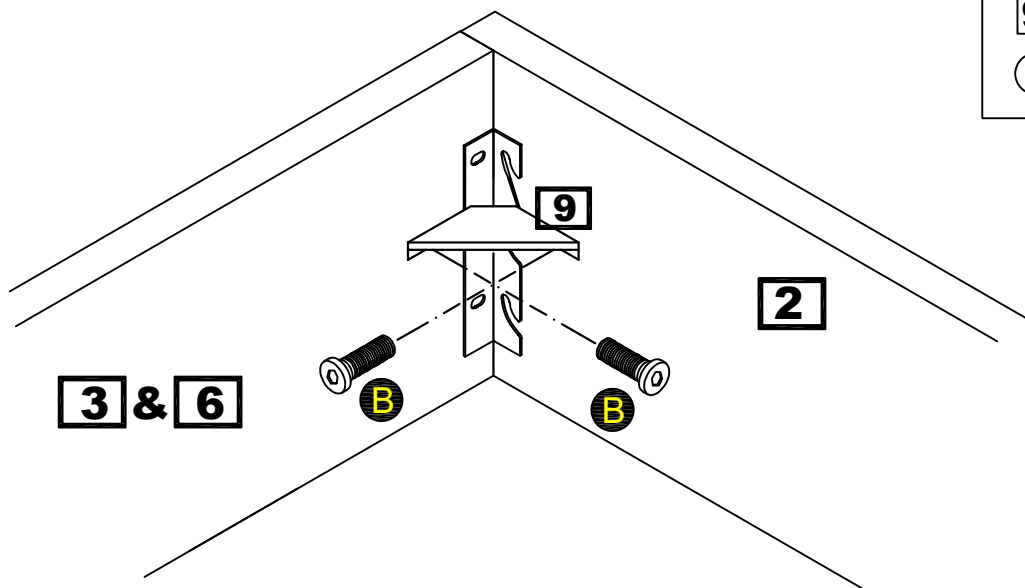
## Step3:



### Parts Required

- 1 Headboard x1
- 3 Left side rail x1
- 4 Right side rail x1
- 9 Corner brackets x1
- (B) M6x15mm Bolt x4

## Step4:



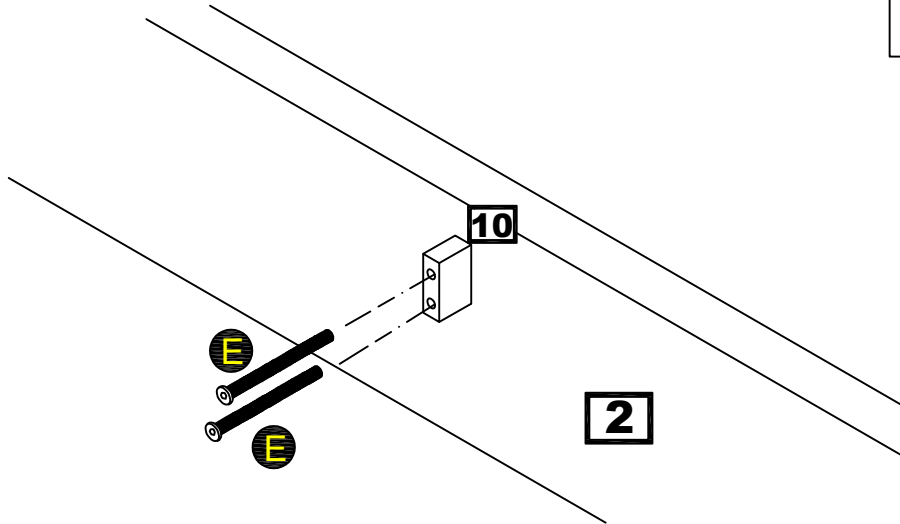
### Parts Required

- 2 Footboard x1
- 3 Left side rail x1
- 4 Right side rail x1
- 9 Corner brackets x1
- (B) M6x15mm Bolt x4

# Assembly Instructions

If you have damaged or missing components,  
email: [aftersales@gpmfurniture.co.uk](mailto:aftersales@gpmfurniture.co.uk)

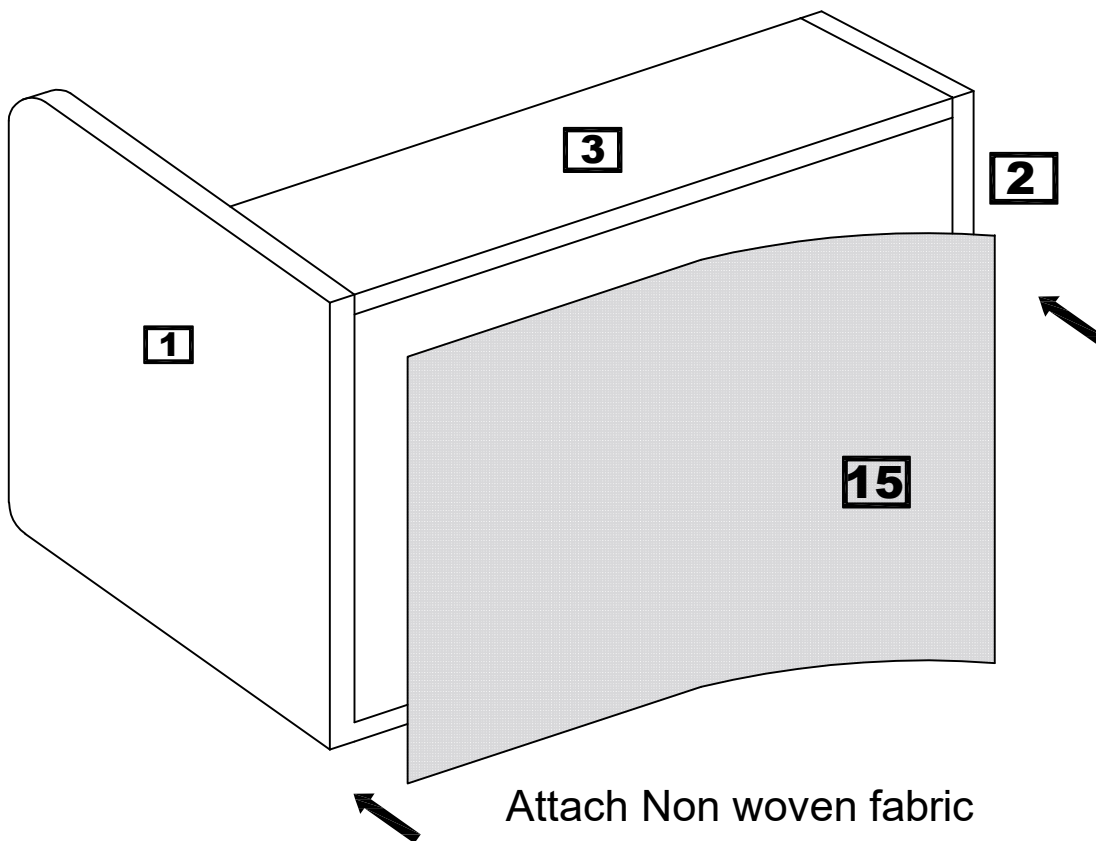
## Step5:



### Parts Required

- 2** Footboard x1
- 10** Holding blocks x1
- E** M6x68mm Bolt x2

## Step6:



### Parts Required

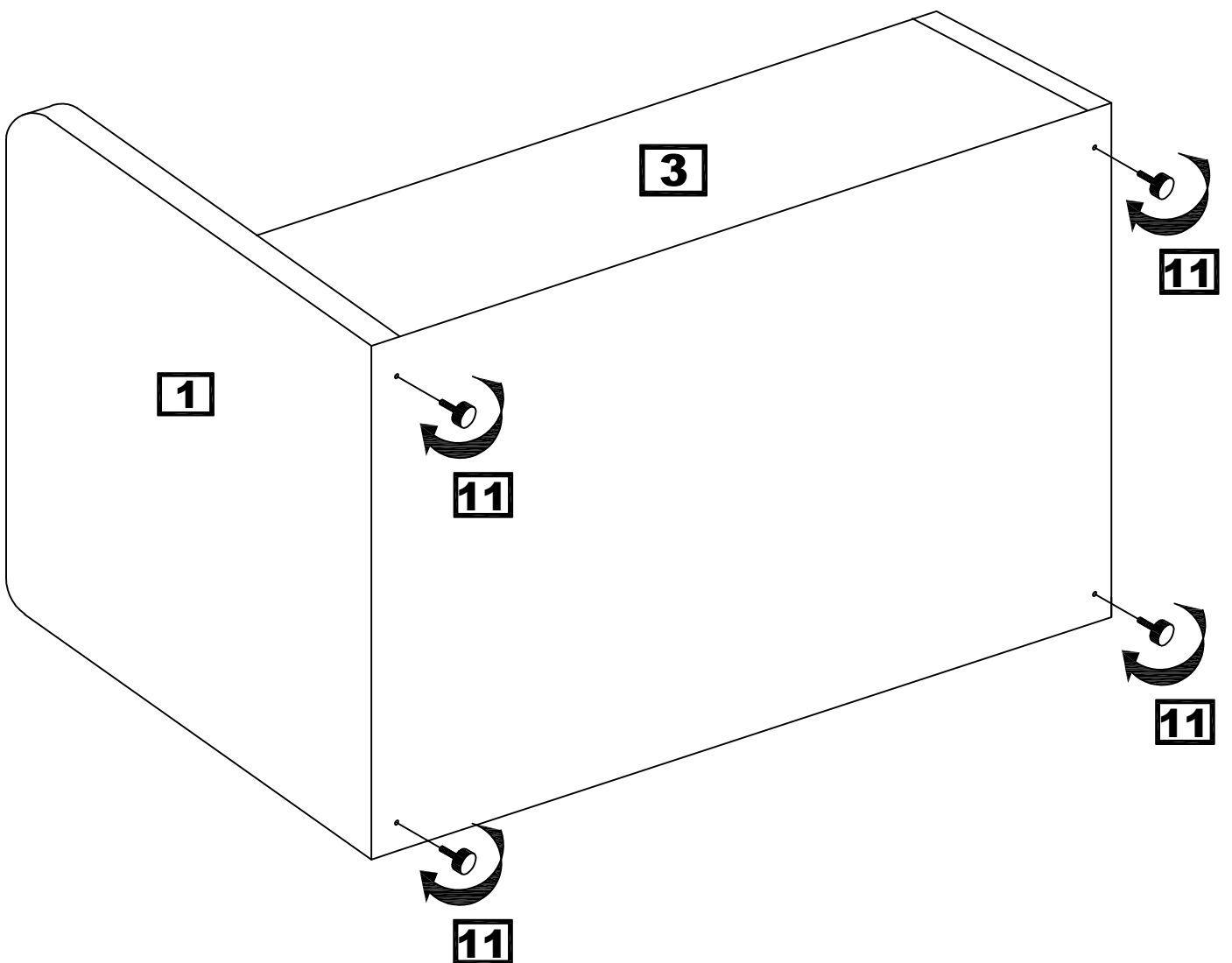
- 15** Woven fabric x1

Attach Non woven fabric  
Turn bed on its side and attach  
Non-woven fabric 15 to base.

## Step 7:

### Parts Required

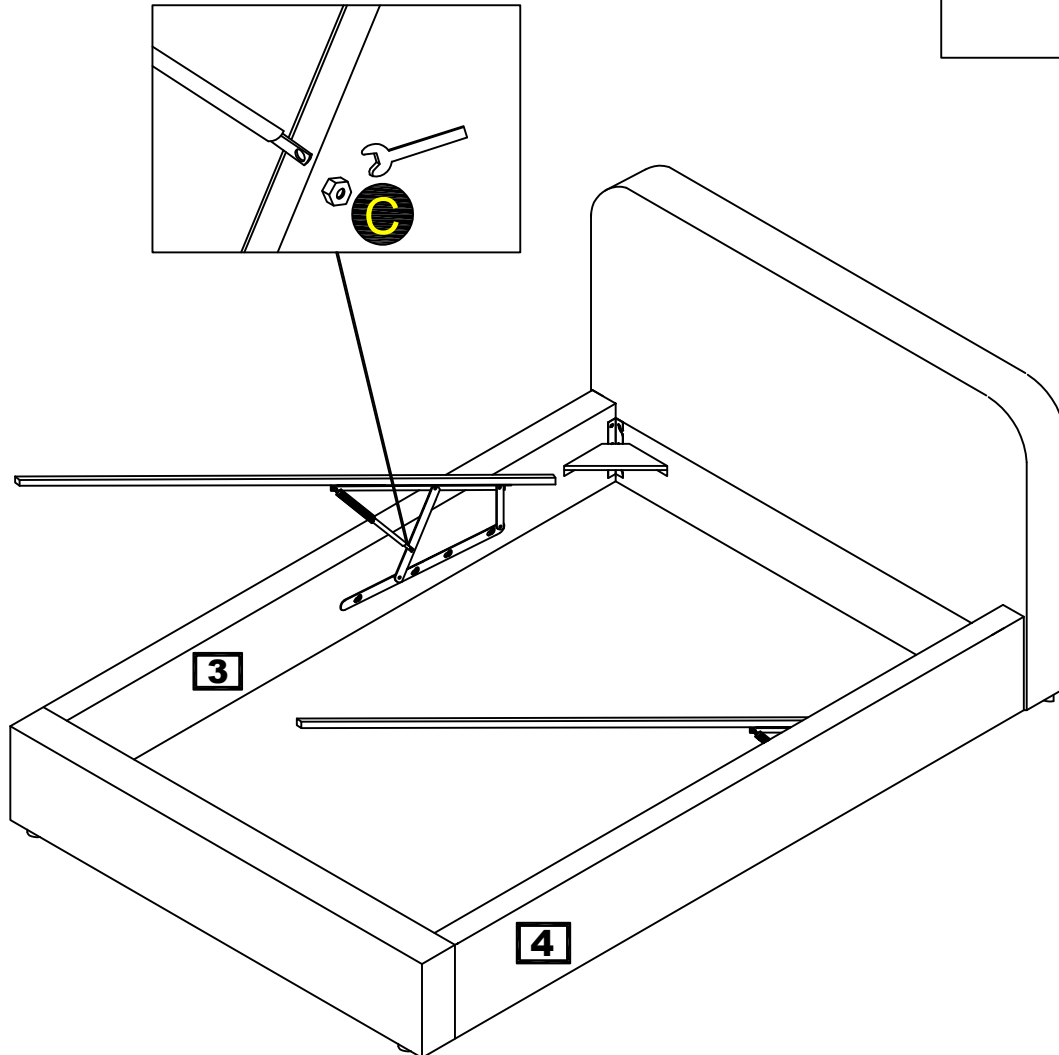
**11** Adjustable legs x4



## Step 8:

### Parts Required

Ⓒ NUT x2



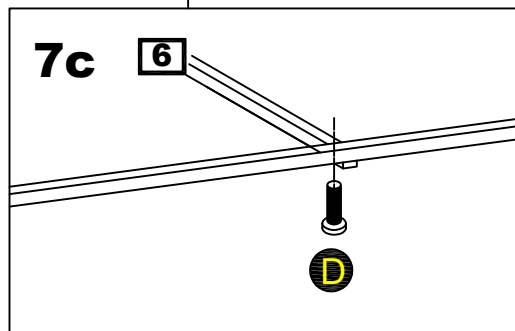
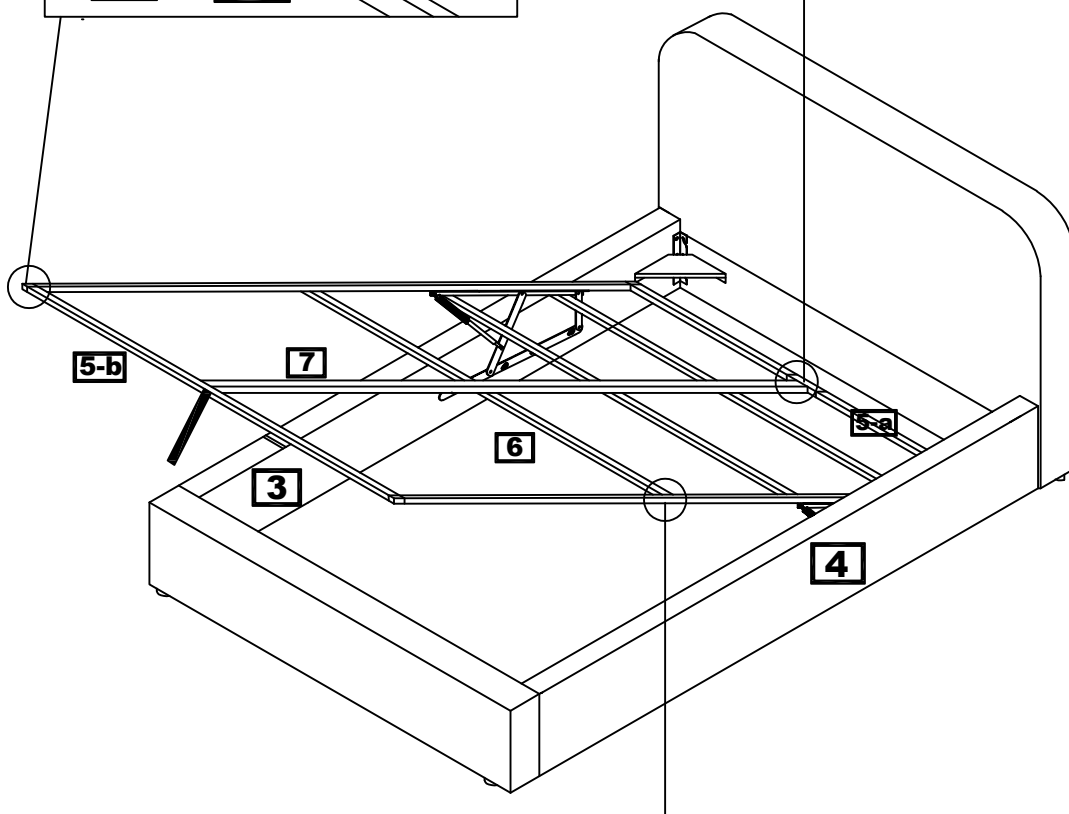
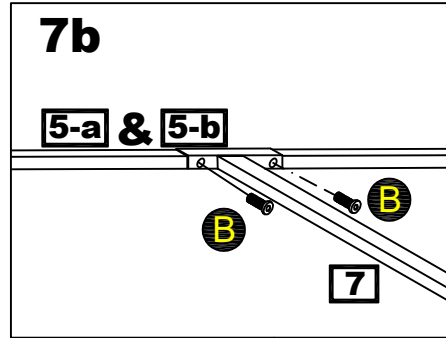
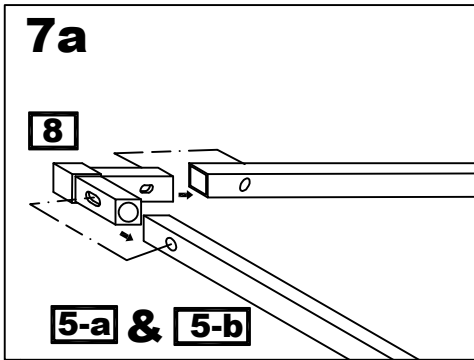
**secure the pneumatic lifting mechanisms on the side rails (3) & (4) into place by using flange nuts (C) as shown.**

**Do not overtighten the nuts.**

## Step 9:

### Parts Required

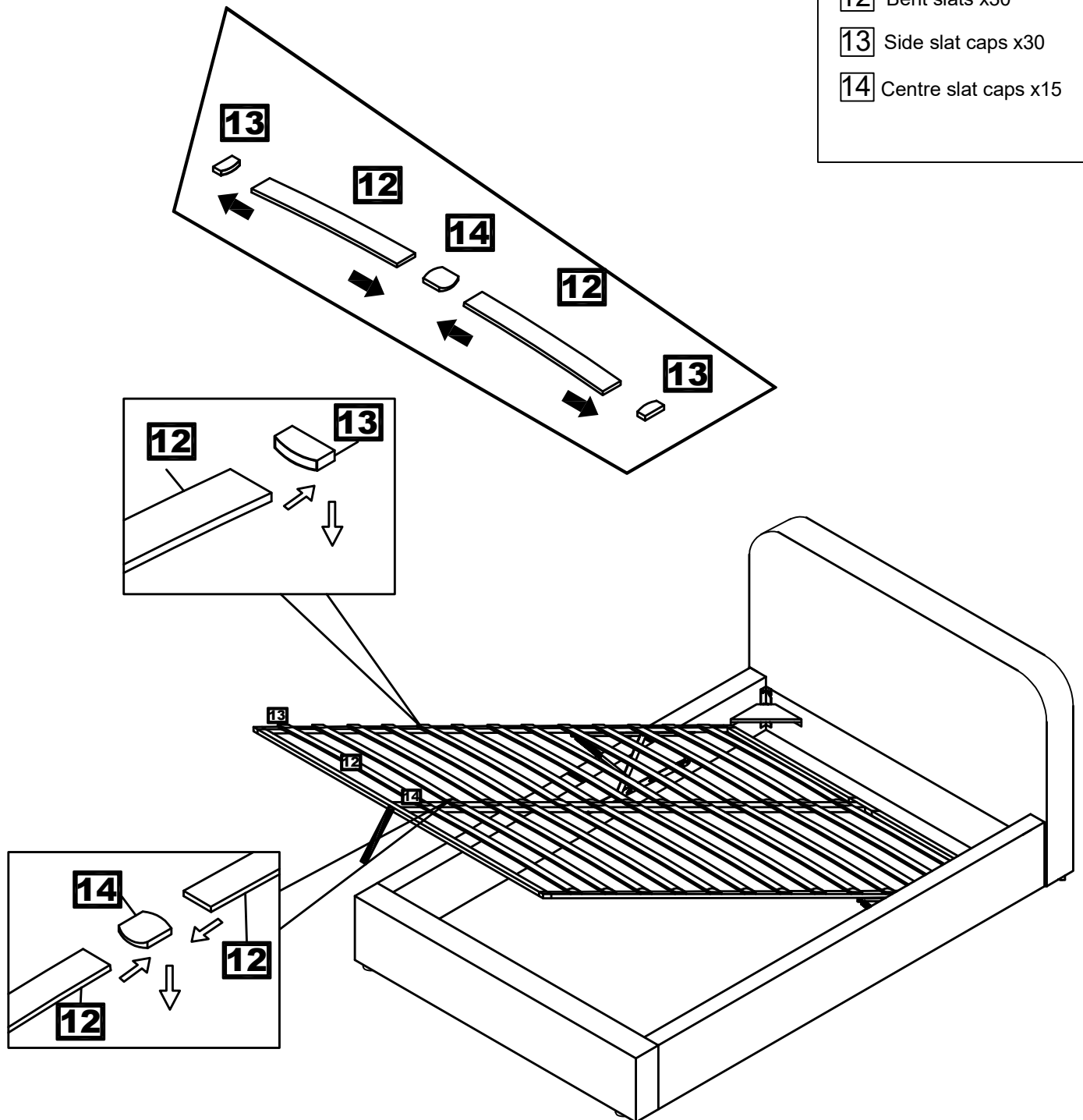
- 5-a** Front frame rail x1
- 5-b** Back frame rail x1
- 6** Horizontal frame rail x3
- 7** Centre frame rail x1
- 8** Plastic bracket sets x4
- B** M6x15mm Bolt x4
- D** M6x30mm Bolt x6



## Step 10:

### Parts Required

- 12** Bent slats x30
- 13** Side slat caps x30
- 14** Centre slat caps x15



### WARNING:

Should one of the side of the gaslift struts failed / lost of pressure or suspected to be failed or lost of pressure please stop using the ottoman storage function and contact retailer you bought your bed from.