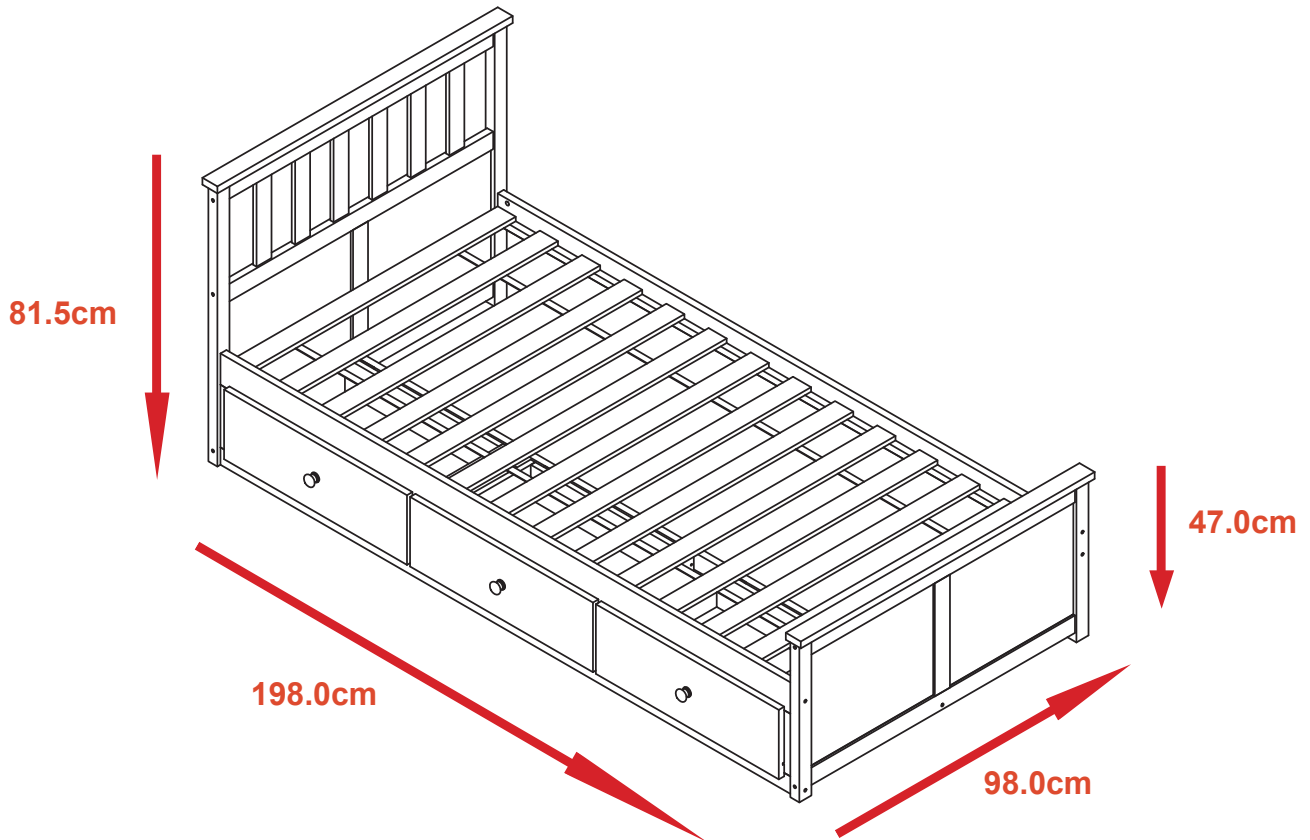


GLOBAL PROCUREMENT AND MARKETING LIMITED

Product Name Here


Assembly Instructions – Please keep for future reference

BEDFLOSBW



thank you

For purchasing this
GPM Limited
 product

	No. people	Assembly Time	OW #
Width: 98.0 cm Depth: 198.0 cm Height: 81.5 cm		approx. 60 mins	BEDFLOSBW

Important – Please read these instructions fully before starting assembly

If you need help or have damaged or missing parts, please email aftersales@gpmfurniture.co.uk


Safety and Care Advice

Important – Please read these instructions fully before starting assembly

- Check you have all the components, parts, hardware and tools listed on pages 3, 4.
- Remove all fittings from the plastic bags and separate them into their groups.
- Keep children and animals away from the work area, small parts could choke if swallowed.
- Make sure you have enough space to lay out the parts before starting.
- Do not stand or put weight on the product, this could cause damage.
- Assemble the item as close to its final position (in the same room) as possible.
- Assemble on a soft, level surface to avoid damaging the unit or your floor.
- We do not recommend the use of power drill/drivers for inserting screws, as this could damage the unit. Only use hand screwdrivers.
- Dispose of all packaging carefully and responsibly.



HELPFUL HINTS

- Please read through the assembly instructions thoroughly before you begin.
- Check all fittings and panels against the parts list to ensure that you have everything before you start. In the unlikely event that any parts are missing, please contact your retailer immediately.
- Remove all fittings from the plastic bags and separate them into their groups in a bowl or other container to stop any small parts being lost.
- Do not use any tool that's not listed in these assembly instructions. The use of power tools is NOT advised, this could damage your product and cause over tightening to occur.
- Assemble the item as close to its final position (in the same room) as possible.
- Make sure you have enough space to layout the parts before starting.
- Assemble on a soft level surface to avoid damaging the unit or your floor.
- Parts of the assembly will be easier with 2 people. Look for this logo 
- Check you have all the components and tools listed on the next page.

SAFETY

- Keep children and animals away from the work area, small parts could cause choking if swallowed.
- Dispose of all packaging carefully and responsibly.

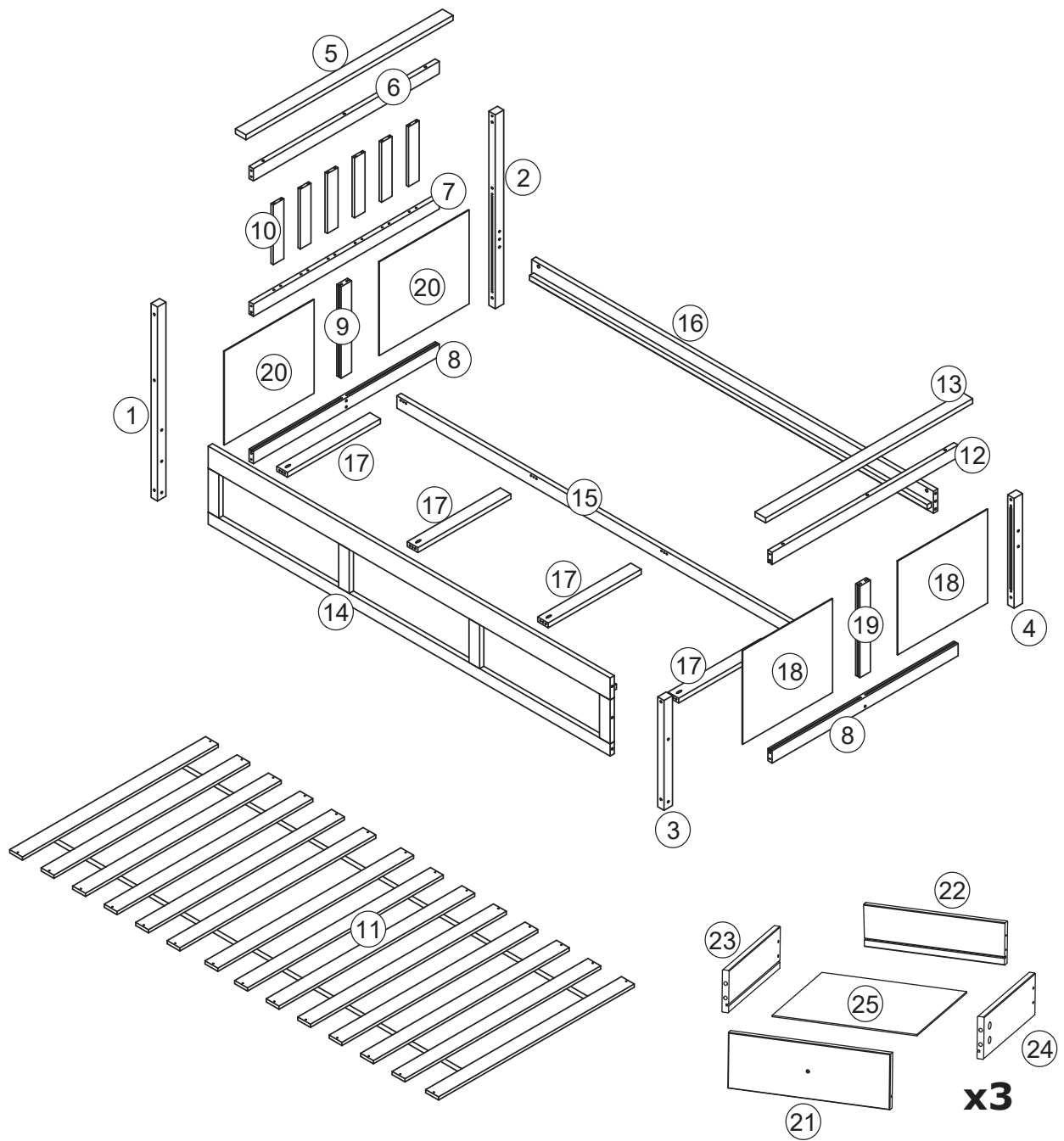
Care and Maintenance

- Only clean using a damp cloth and mild detergent, do not use bleach or abrasive cleaners.
- From time to time check that there are no loose screws on this unit.
- This product should not be discarded with household waste. Take to your local authority waste disposal centre.

If you are unhappy with the product and wish to return it, please follow the retailer's returns procedure.

Components – Parts

If you have damaged or missing components,
email: aftersales@gpmfurniture.co.uk



Components - Parts

Please check that you have all the components listed below before constructing your item.




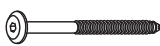

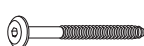
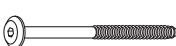






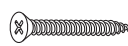




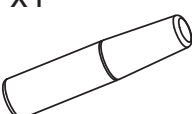
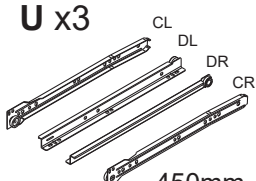

Part No	Description	Qty
1	Headboard Post - Left	1
2	Headboard Post - Right	1
3	Footboard Post - Left	1
4	Footboard Post - Right	1
5	Headboard Crown	1
6	Headboard Top Stretcher	1
7	Headboard Center Stretcher	1
8	Head Board / Footboard Bottom Stretcher	2
9	Headboard Vertical Partition Rail	1
10	Headboard Vertical Rail	6
11	Bed Slat	1
12	Footboard Top Stretcher	1
13	Footboard Crown	1
14	Left Siderail Drawer Carcase	1
15	Drawer Frame Centre Rail	1
16	Right Side Rail	1
17	Drawer Frame Cross Rail	4
18	Footboard panel board	2
19	Footboard Vertical Partition Rail	1
20	Headboard Panel board	2
21	Drawer Front Panel	3
22	Drawer Rear Panel	3
23	Drawer Left Side Panel	3
24	Drawer Right Side Panel	3
25	Drawer Base Panel	3

Components - Fixings

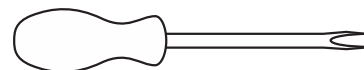
If you have damaged or missing components,
email: aftersales@gpmfurniture.co.uk

Please check that you have all the components listed below before constructing your item.

Note: The quantities below are the correct amount to complete the assembly. In some cases more fittings may be supplied than are required.

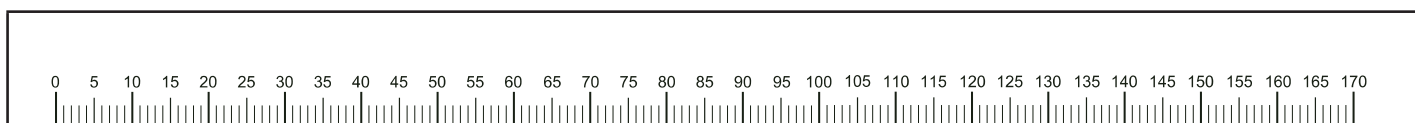
A x6  Wood Dowel Φ8x30mm	B x58  Wood Dowel Φ6x30mm	C x10  Bolt Φ6x70mm	D x3  Bolt M6x65mm	E x8  T-Nut
F x3  Bolt M6x50mm	G x8  Bolt M6x75mm	H x2  Bolt Φ6x50mm	J x12  Screw Φ5x50mm	K x12 
L x12  Φ6x40mm	M x12  Φ12x11mm	N x1  Allen Key M4	O x8  Screw Φ4x40mm	P x28  Screw Φ4x25mm
Q x42  Φ3.5x14mm	R x3  M4x22mm	S x3 	T x1  Wood Glue	U x3  450mm
I x1  Screw driver (not provided)				

Tools Required



NOTE: SCREW DRIVER & HAMMER ARE NOT PROVIDED.

Ruler – Use this to measure your screws (mm)




Important – Please read these instructions fully before starting assembly

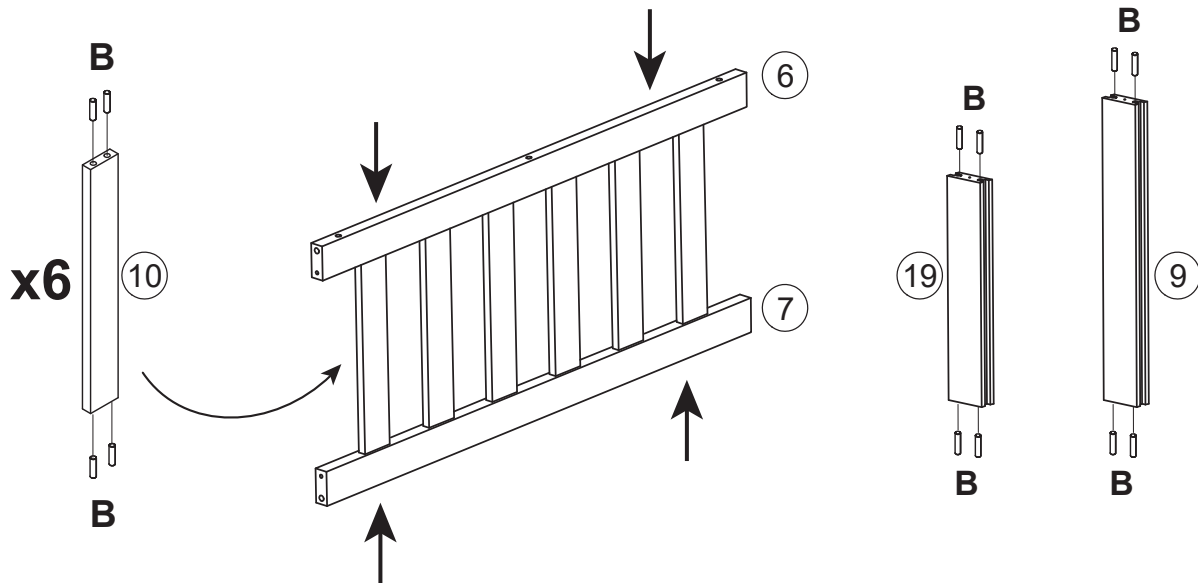
If you need help or have damaged or missing parts, please email aftersales@gpmfurniture.co.uk

Assembly Instructions


If you have damaged or missing components, email: aftersales@gpmfurniture.co.uk

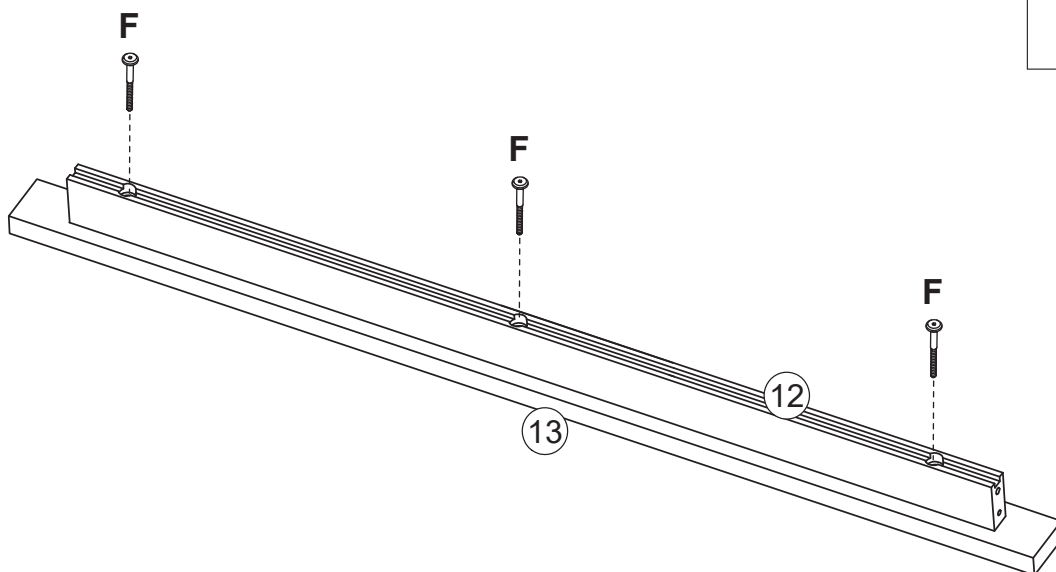
Step 01

B x32

Wood Dowel
Φ6x30mm




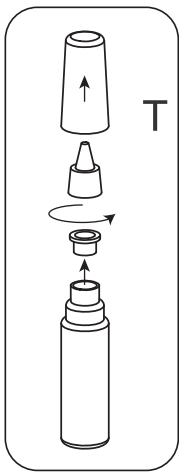
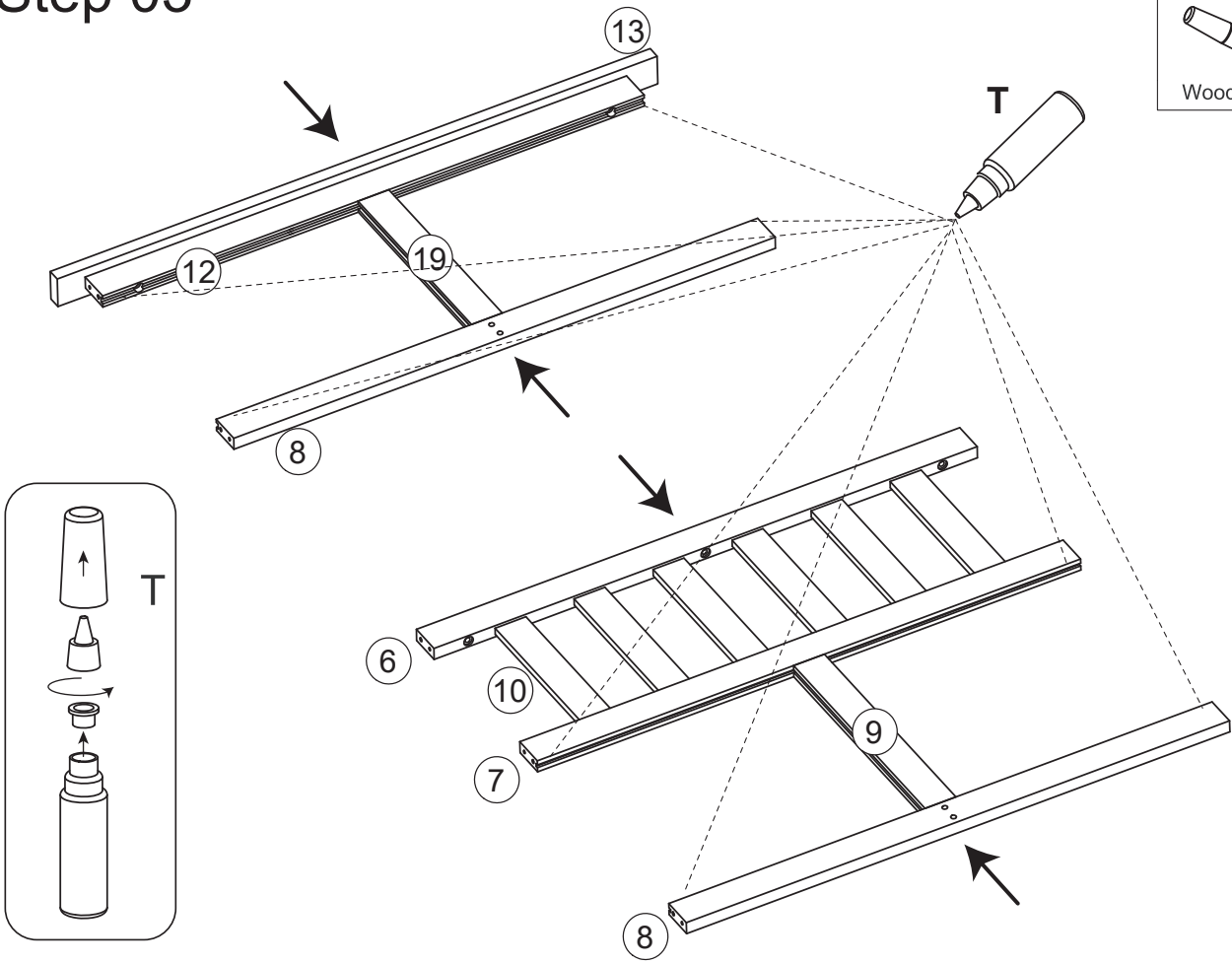
Step 02

F x3

Bolt
M6x50mm




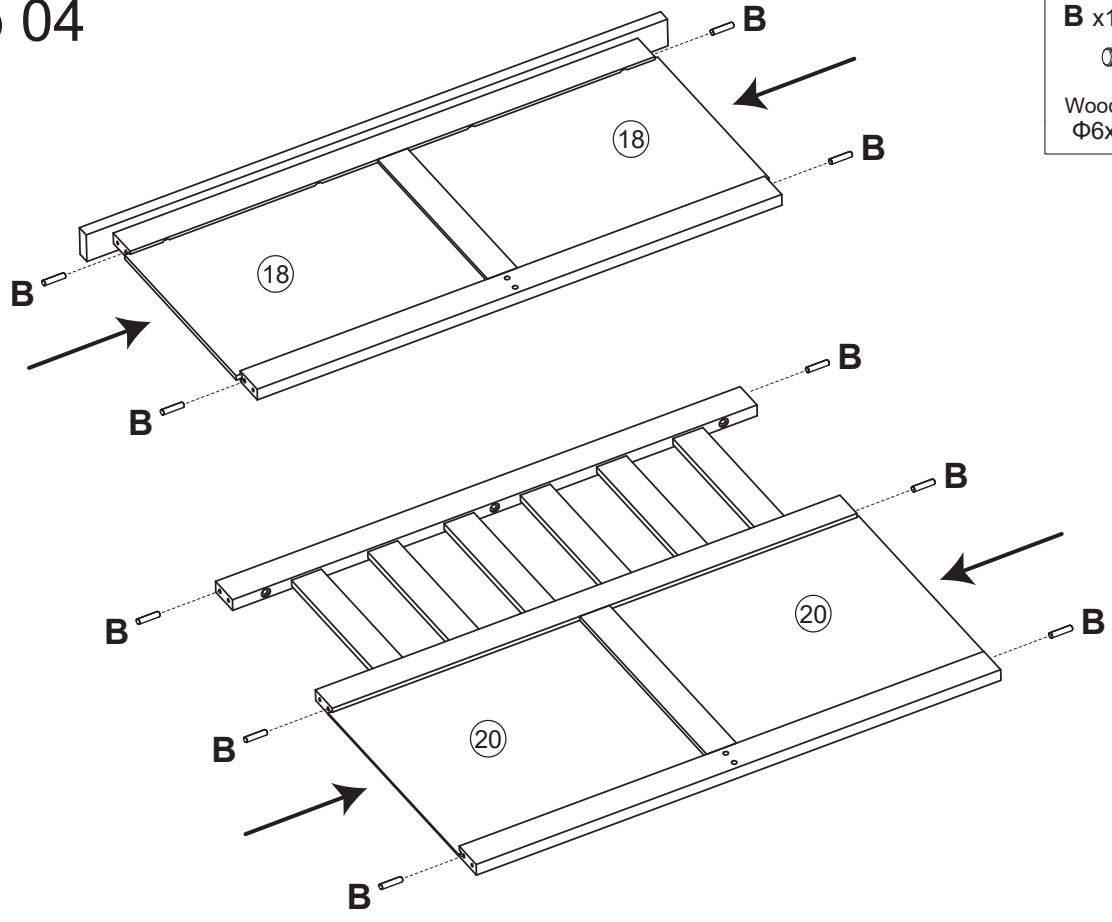
Step 03

T x1

Wood Glue




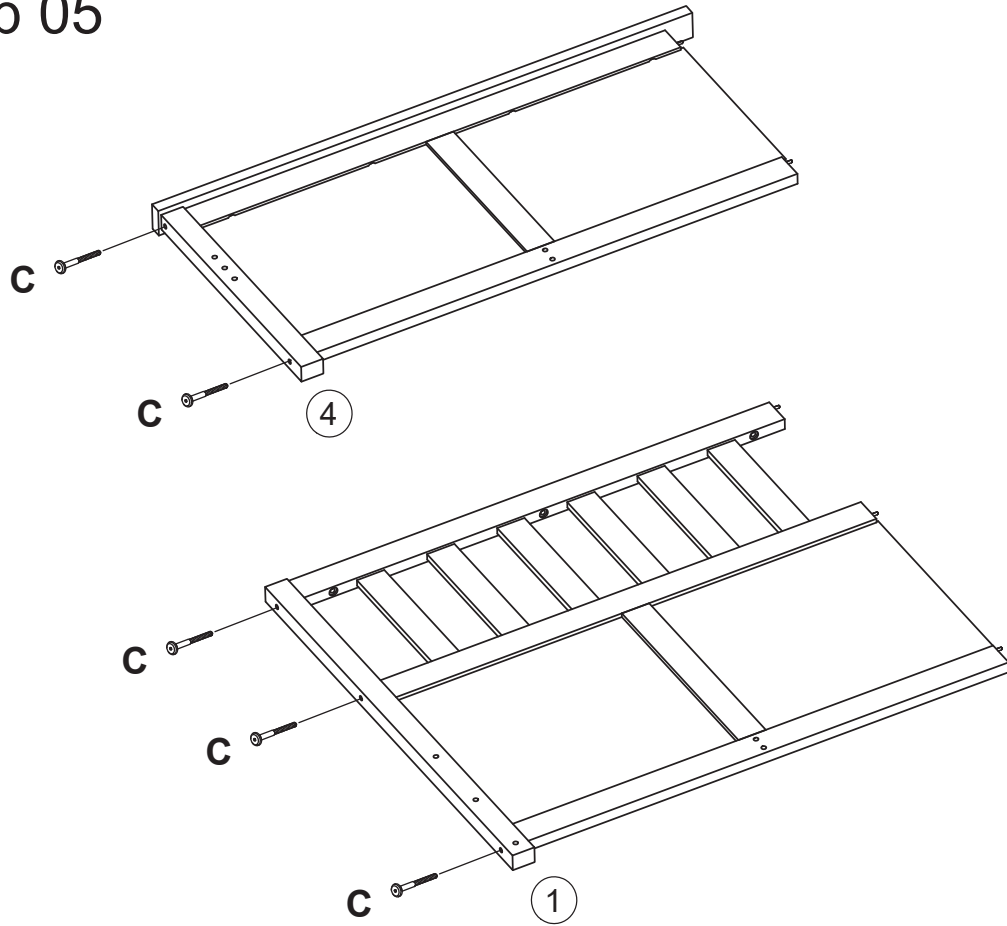
Step 04

B x10

Wood Dowel
Φ6x30mm




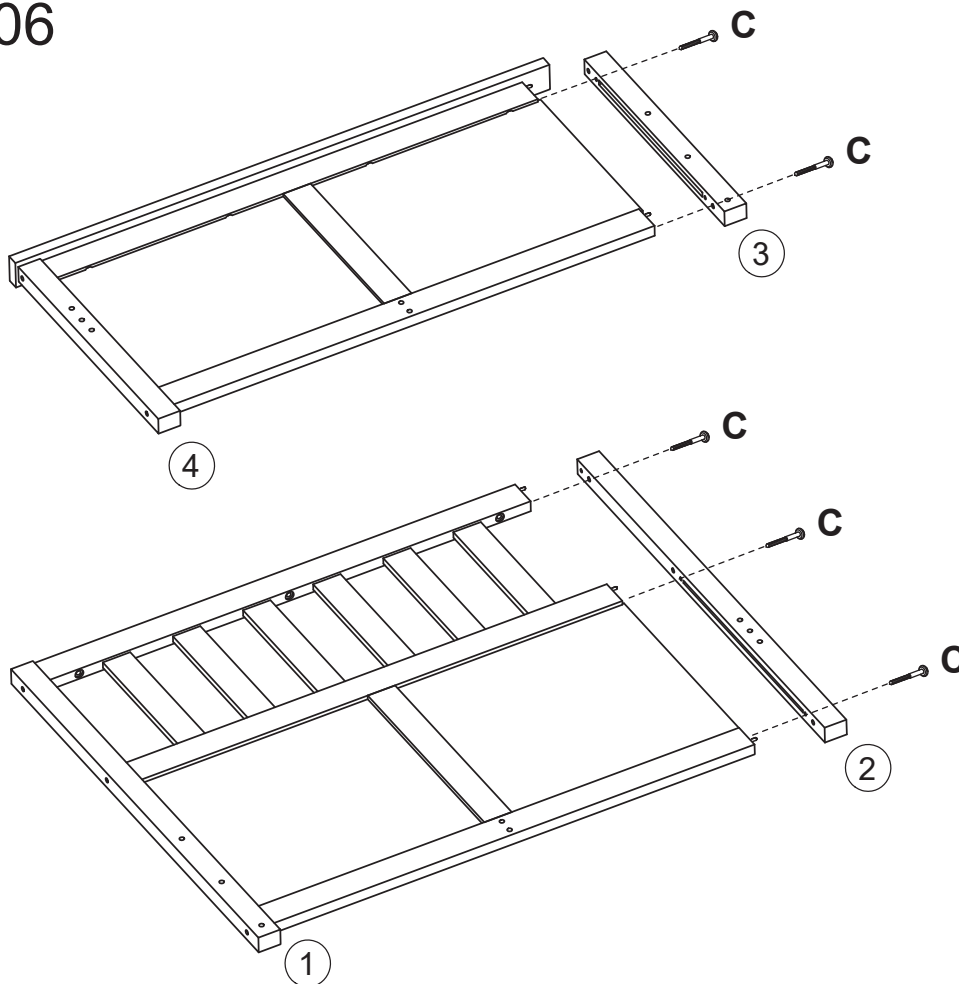
Step 05

C x5

Bolt
Φ6x70mm




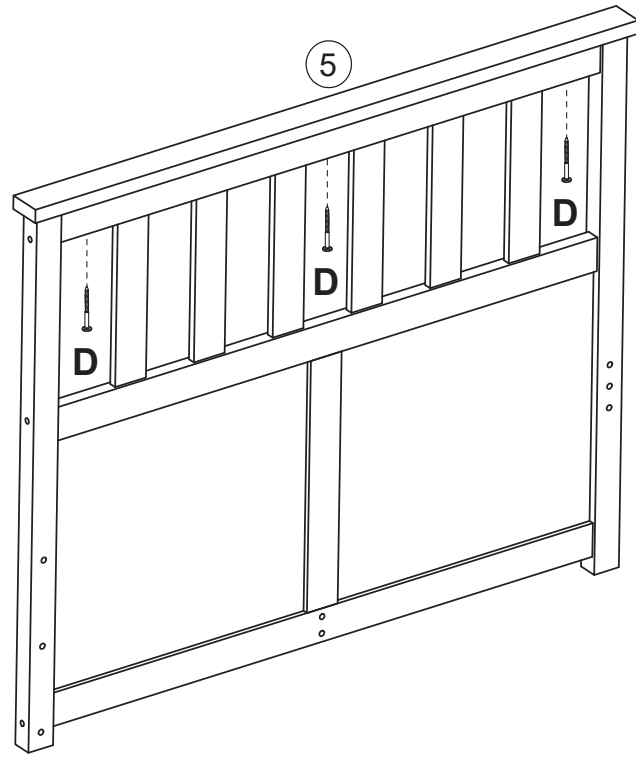
Step 06

C x5

Bolt
Φ6x70mm





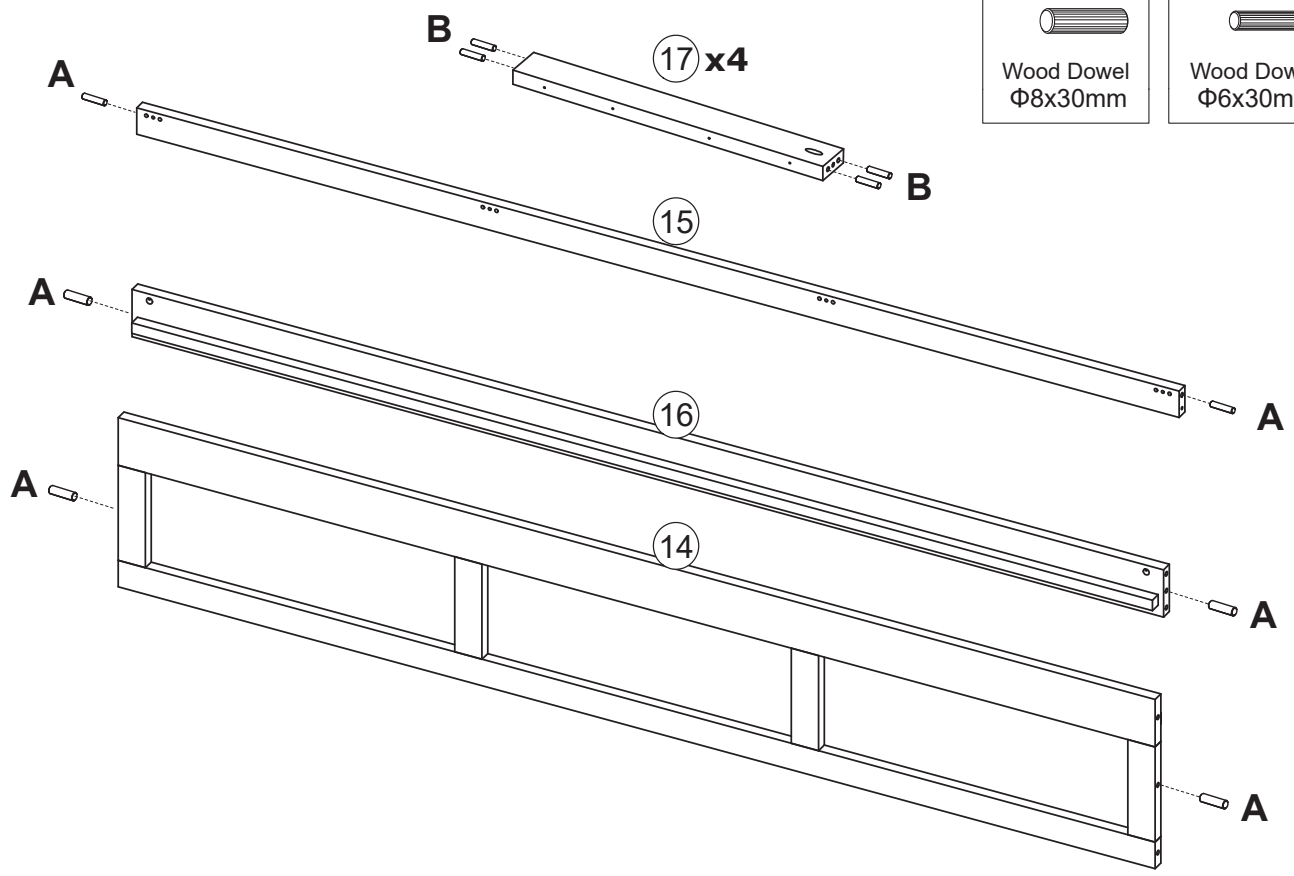
Step 07

D x3

Bolt
M6x65mm

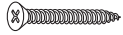


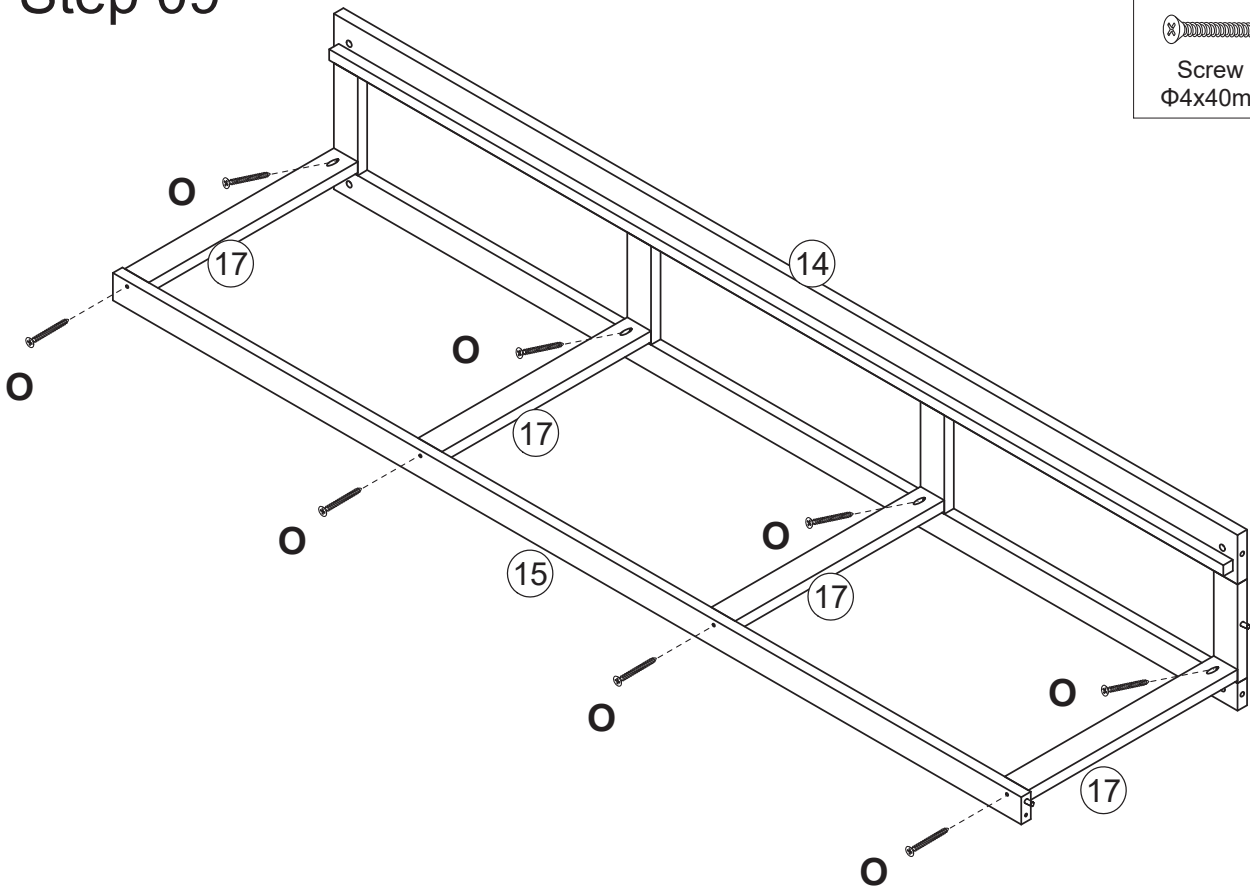
Step 08

A x6  Wood Dowel Φ8x30mm	B x16  Wood Dowel Φ6x30mm
---	--




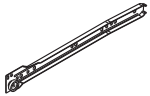
Step 09


O x8

 Screw
 Φ4x40mm

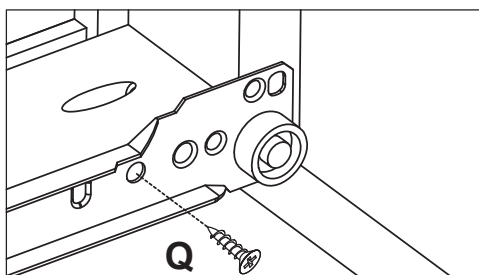
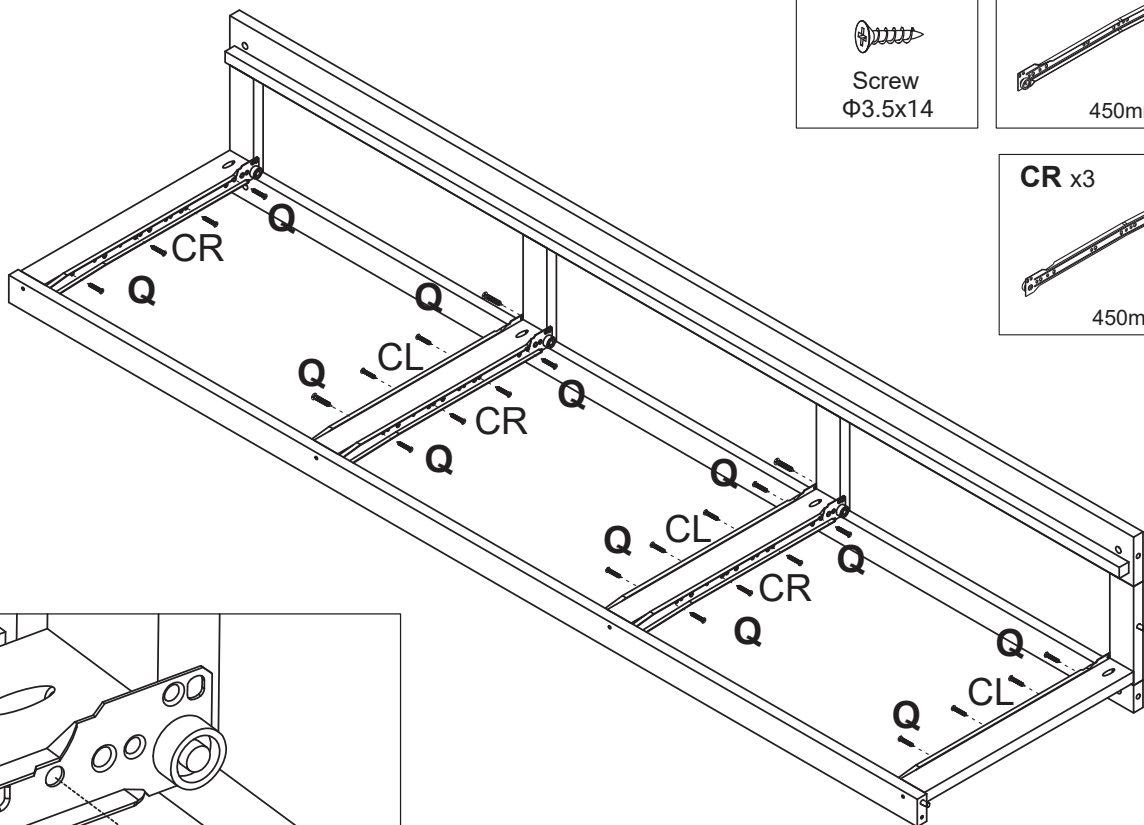


Step 10

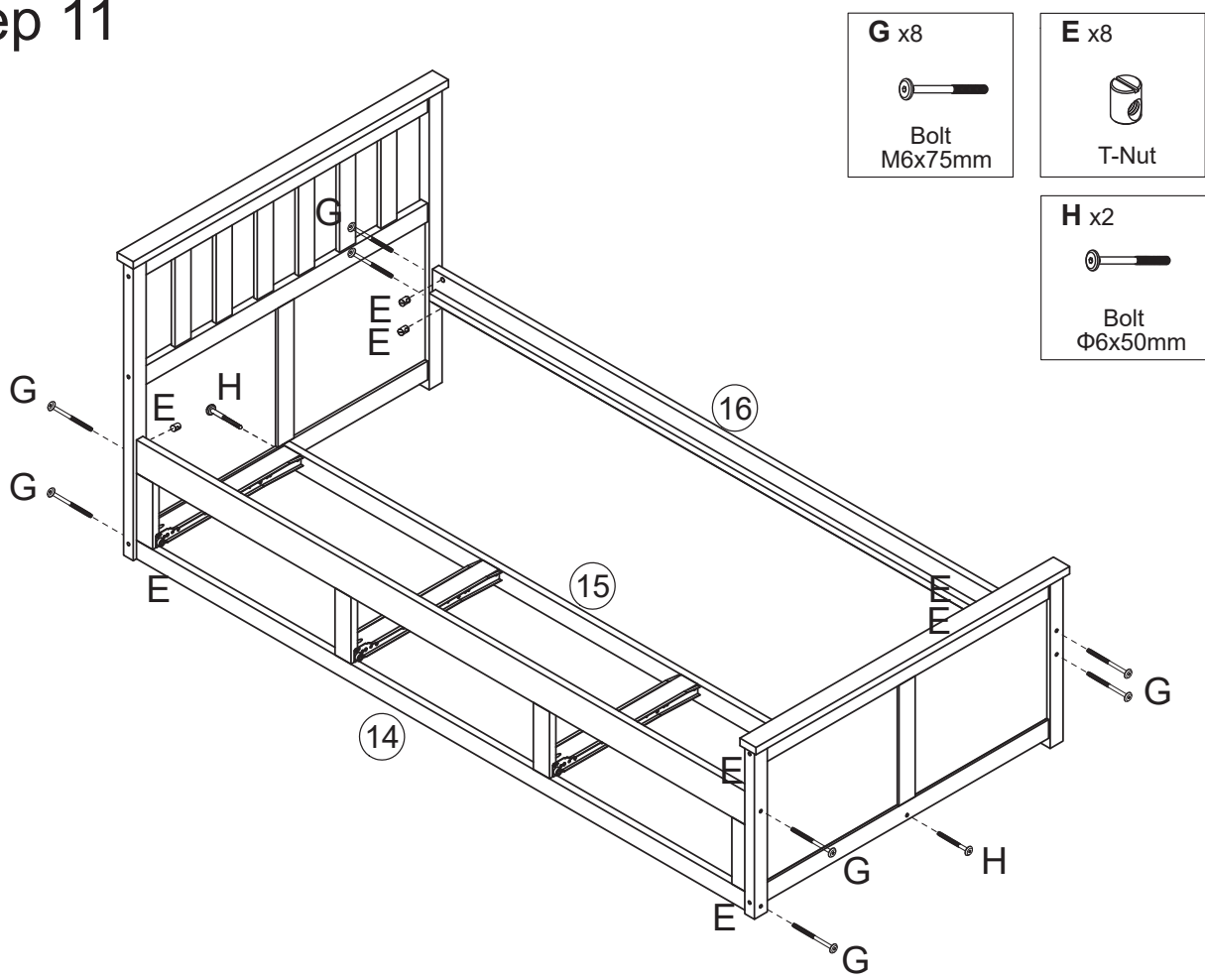
Q x24

 Screw
 Φ3.5x14

CL x3

 450mm

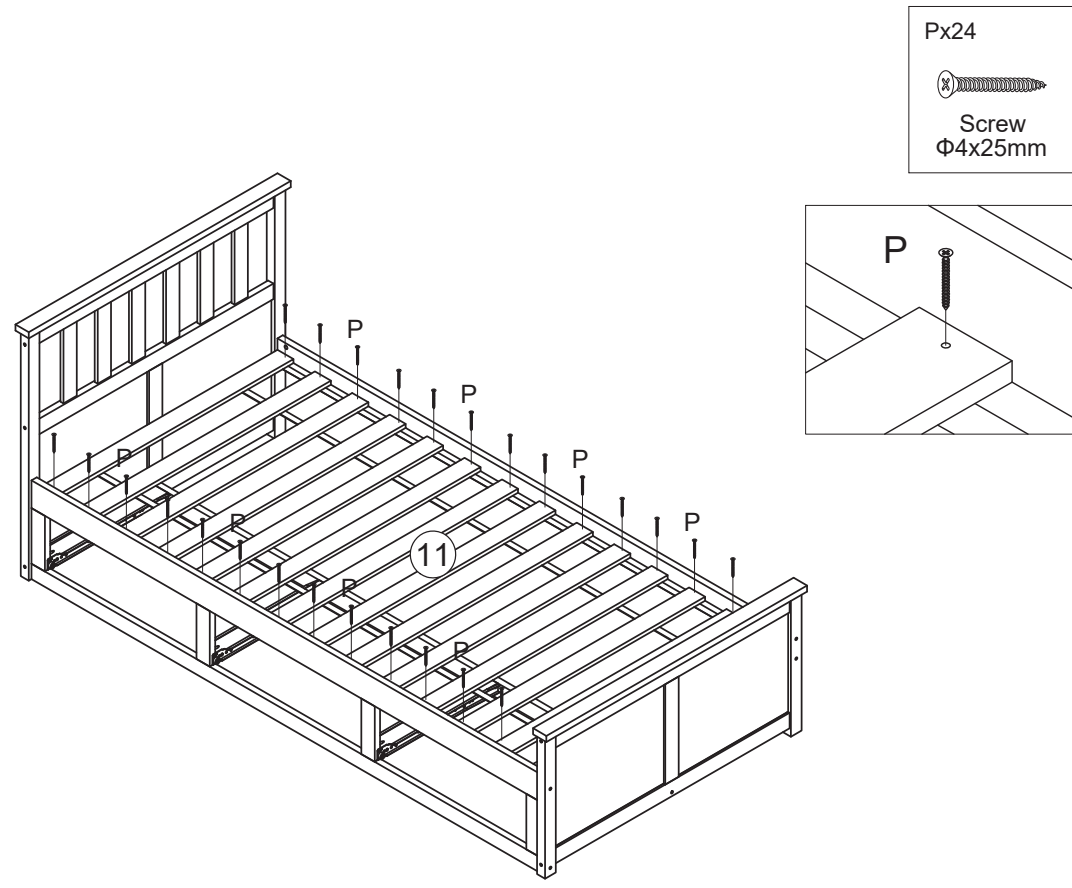
CR x3

 450mm



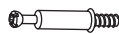

Step 11

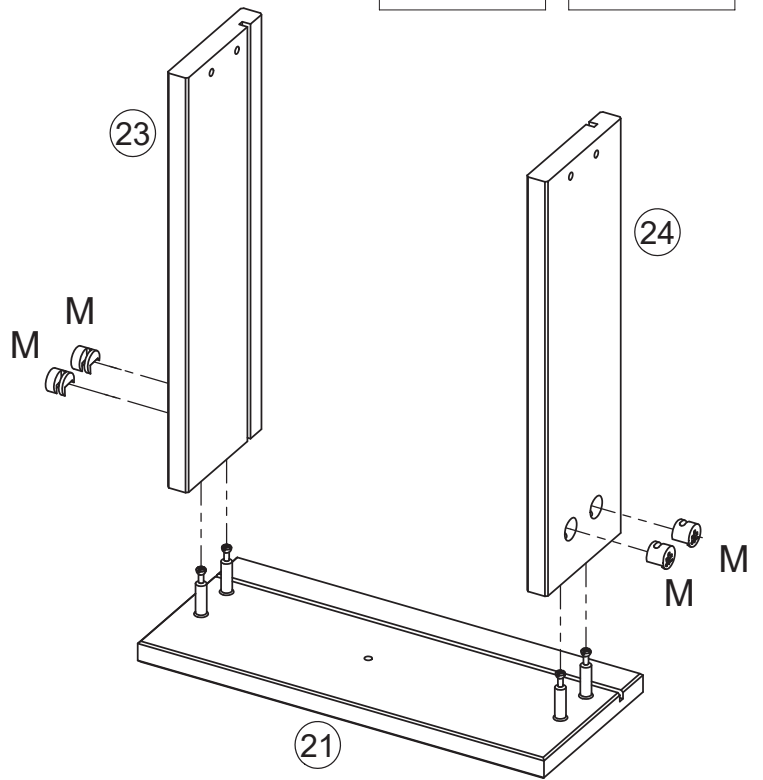
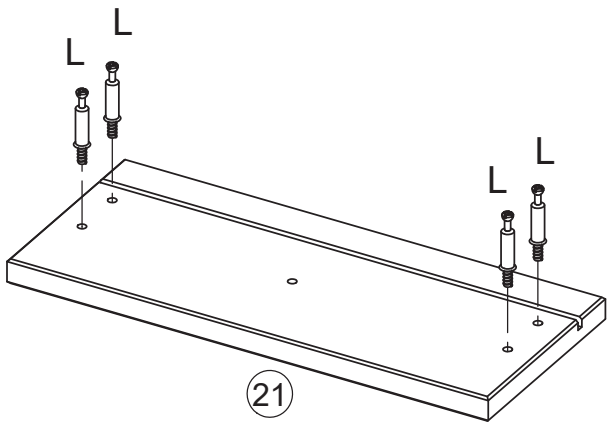


Step 12





Step 13

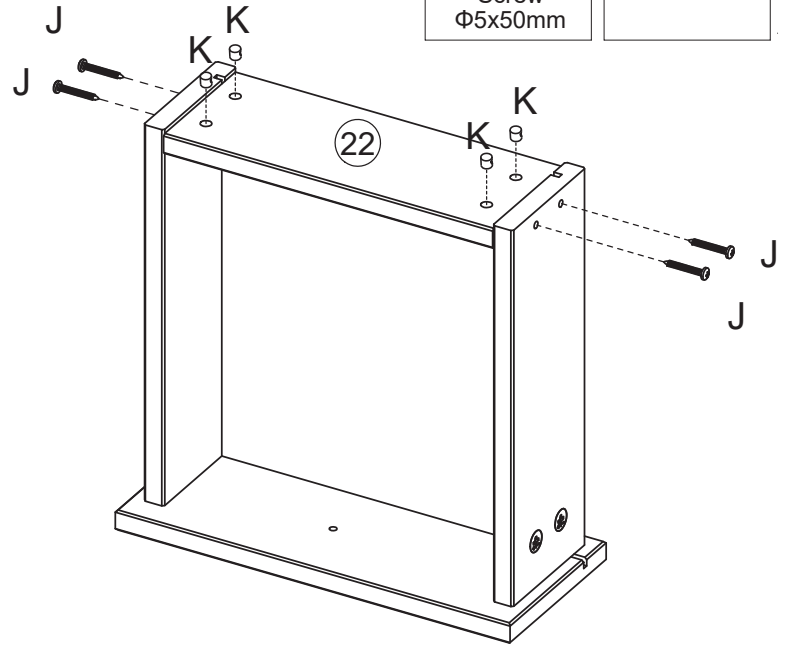
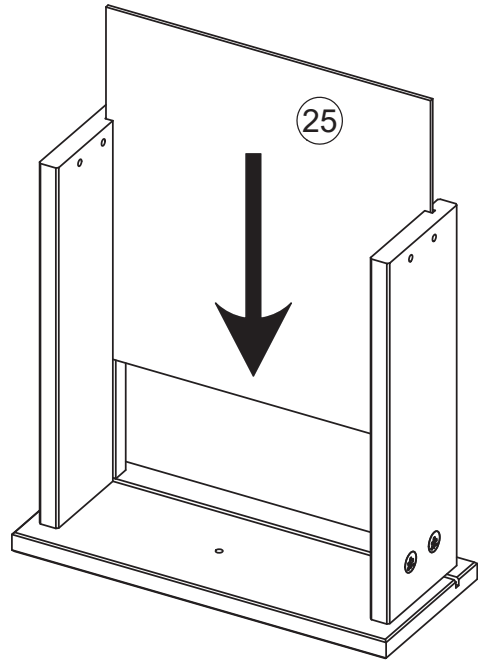
L x12	M x12
	
Φ6x40mm	Φ12x11mm



x3

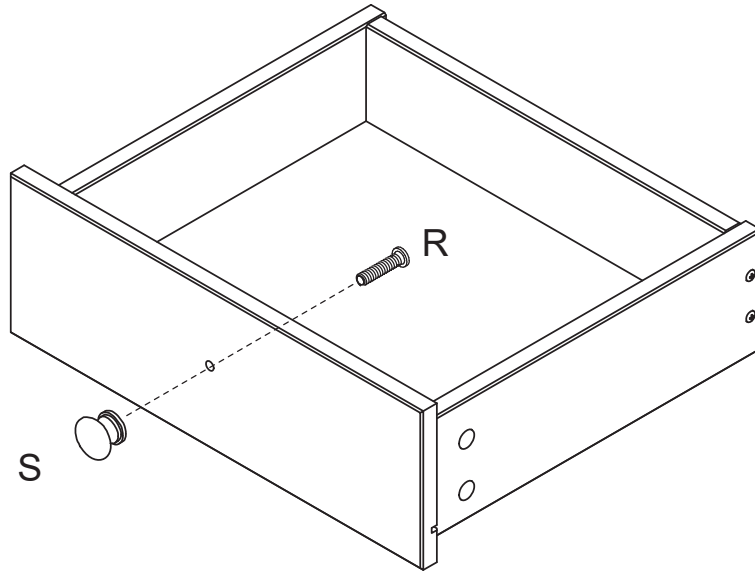
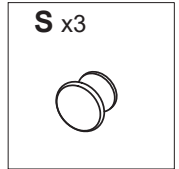
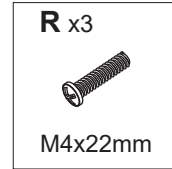
Step 14

J x12	K x12
	
Screw Φ5x50mm	



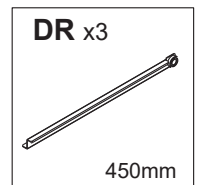
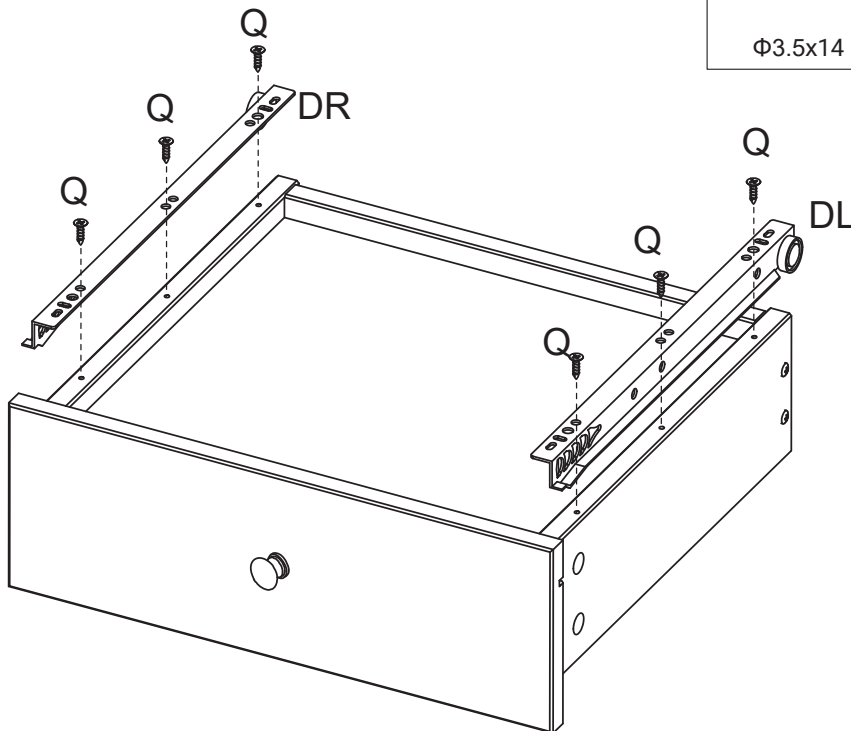
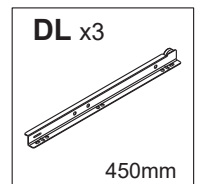
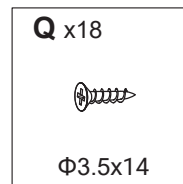
x3

Step 15



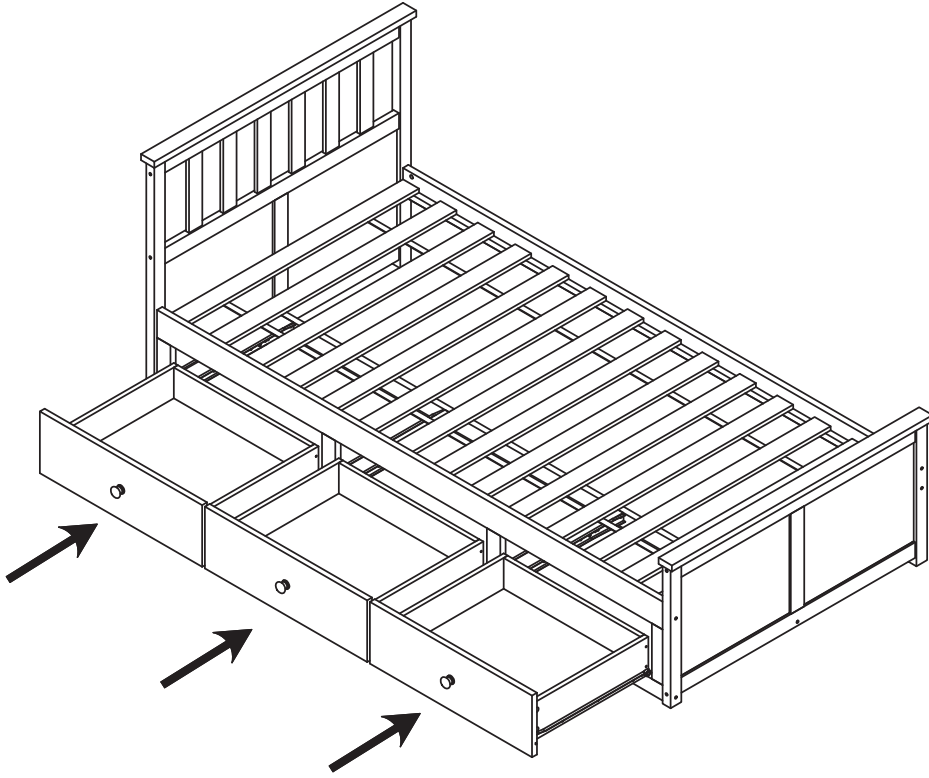
x3

Step 16



x3

Step 17



Step 18

Assembly Complete

