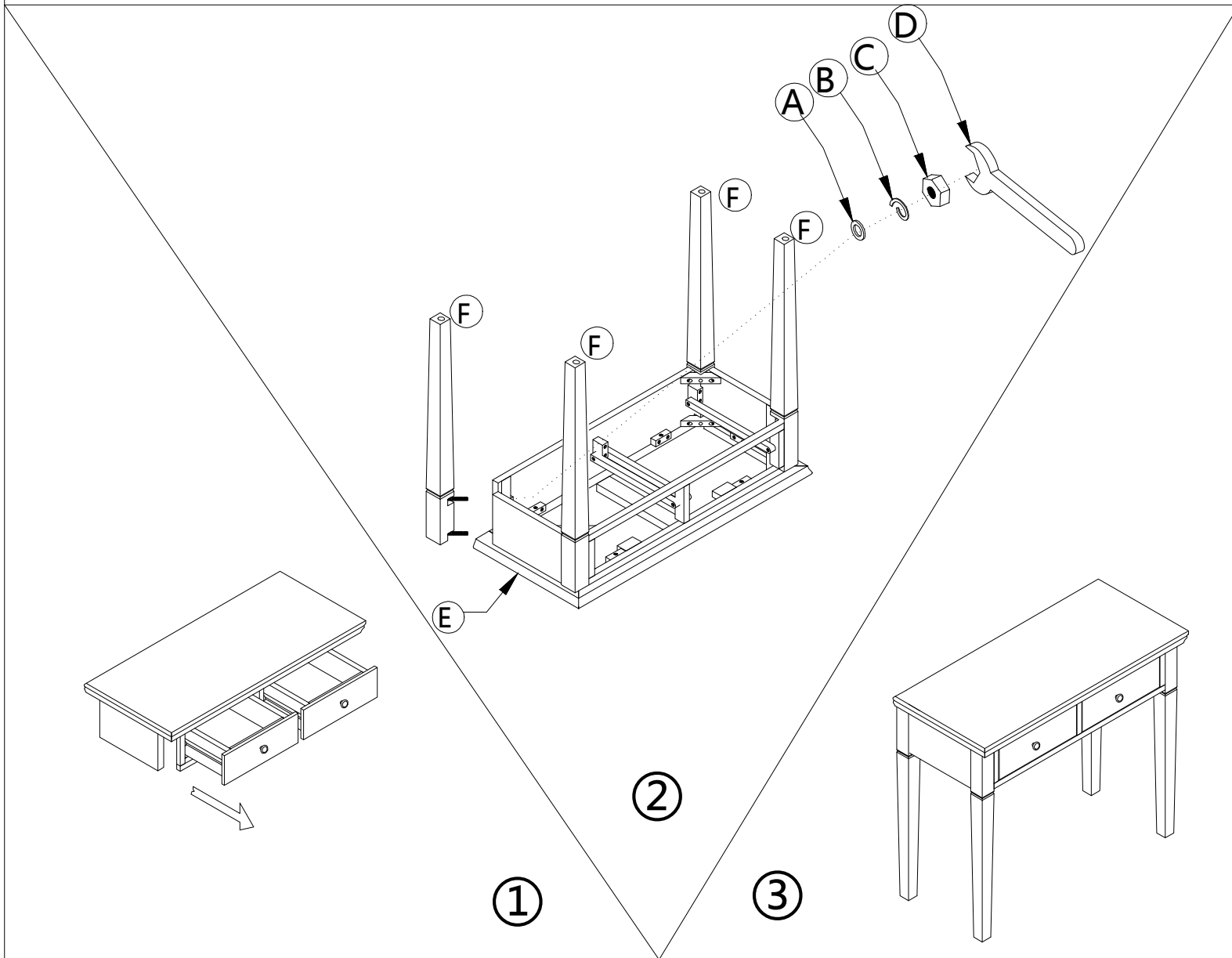



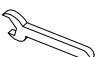
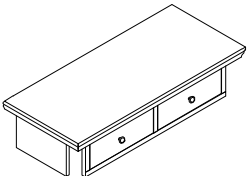



SW-DT

Assembly Instruction

Components list



A	∅8-16		8
B	M8		8
C	M8		8
D	M14		1
E			1
F			4