

# GLOBAL PROCUREMENT & MARKETING LIMITED

## Trapani 4pc Rattan Garden Set

Assembly Instructions – Please keep for future reference

Product Code

GARTRA4PC



Dimensions	No. people	Assembly Time	OW #
Width: cm		90 mins (approx.)	00000 / 00000 00000 / 00000
Depth: cm			
Height: cm			

*thank you*

For purchasing this  
**GPM Limited**  
product

### Important

- PLEASE READ THESE INSTRUCTIONS FULLY BEFORE STARTING ASSEMBLY
- PLEASE DO NOT THROW THE PACKAGING AWAY UNTIL YOU ARE SATISFIED WITH PURCHASE, GOODS NEED TO BE RETURNED IN ORIGINAL PACKAGING.

If you need help or have damaged or missing parts, please email [support@home-source.co.uk](mailto:support@home-source.co.uk)

## Safety and Care Advice

### Important

- PLEASE READ THESE INSTRUCTIONS FULLY BEFORE STARTING ASSEMBLY
- PLEASE DO NOT THROW THE PACKAGING AWAY UNTIL YOU ARE SATISFIED WITH PURCHASE, GOODS NEED TO BE RETURNED IN ORIGINAL PACKAGING.

- Check you have all the components and tools listed on pages 4 and 5.
- Remove all fittings from the plastic bags and separate them into their groups.
- Keep children and animals away from the work area, small parts could choke if swallowed.
- Make sure you have enough space to lay out the parts before starting.
- Do not stand or put weight on the product, this could cause damage.
- Assemble the item as close to its final position (in the same room) as possible.
- Assemble on a soft, level surface to avoid damaging the unit or your floor.
- We do not recommend the use of power drill/drivers for inserting screws, as this could damage the unit. Only use hand screwdrivers.
- Dispose of all packaging carefully and responsibly.



use of power drill/drivers for inserting screws, as this could damage the unit.

Only use hand screwdrivers.

- Dispose of all packaging carefully and responsibly.

### Glass Warnings

1. Do not place very hot or very cold items against or in close proximity to glass surfaces unless an adequately thick insulating material is used to prevent such items from coming into contact with the glass.
2. Do not strike the glass with hard or pointed items.
3. When cleaning glass panels or mirrors use a damp cloth or leather with washing up liquid or soft soap if necessary: do not use washing powders or any other substance containing abrasives since these substances can scratch glass.
4. It is essential that this unit is fixed to a wall with the fixings provided (if applicable).
5. The class of glass used complies with Class **x** of BS6206  
This product complies with BS7449: 1991  
Imported by Global Procurement and Marketing Ltd  
**xxmm** thickness tempered glass  
Model no. **xxx** Batch no. **xxx**  
Dimensions: **00 x 00 x 00mm**
6. If a glass component is chipped or broken, replace with glass of the type described above. Consult the manufacturer, retailer or agent with regard to obtaining a manufacturing specification and shape for replacement glass quoting the model number and batch number or date of manufacture.

### Care and Maintenance

- Only clean using a damp cloth and mild detergent, do not use bleach or abrasive cleaners.
- From time to time check that there are no loose screws on this unit.
- This product should not be discarded with household waste. Take to your local authority waste disposal centre.

If kept outside please ensure in the winter months that the product is correctly covered or put away into a dry environment to prevent corrosion, weathering or damage.

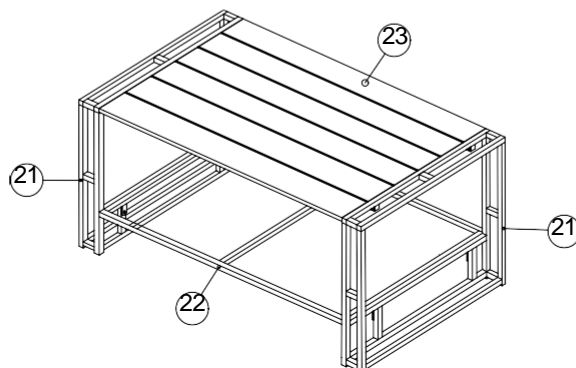
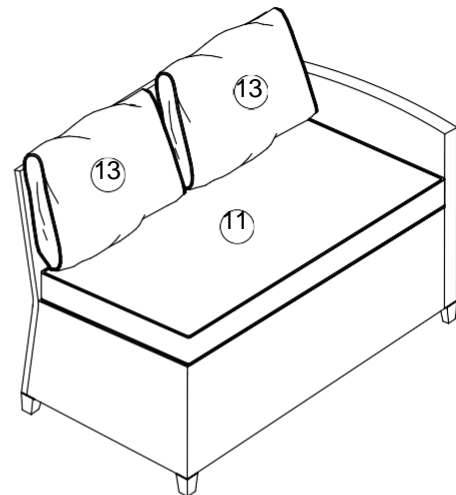
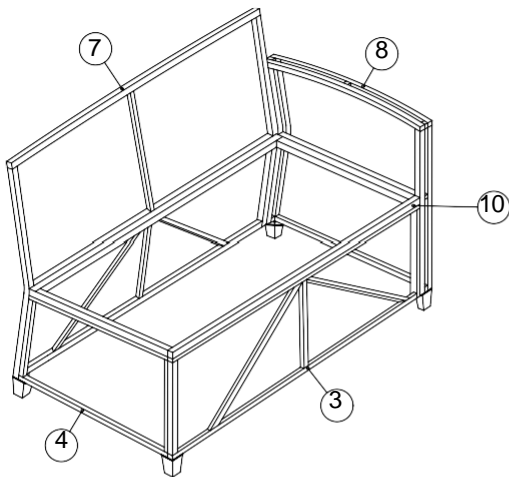
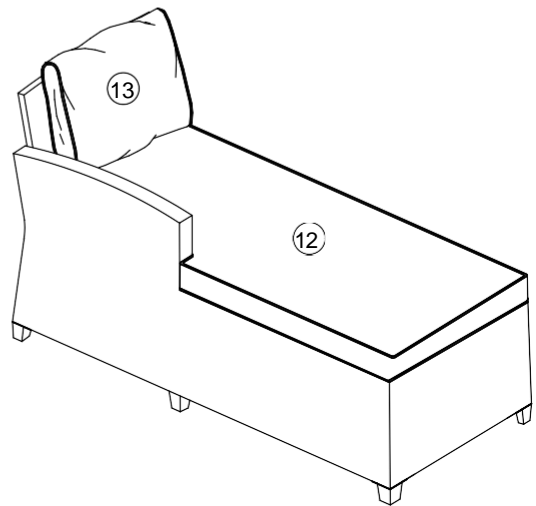
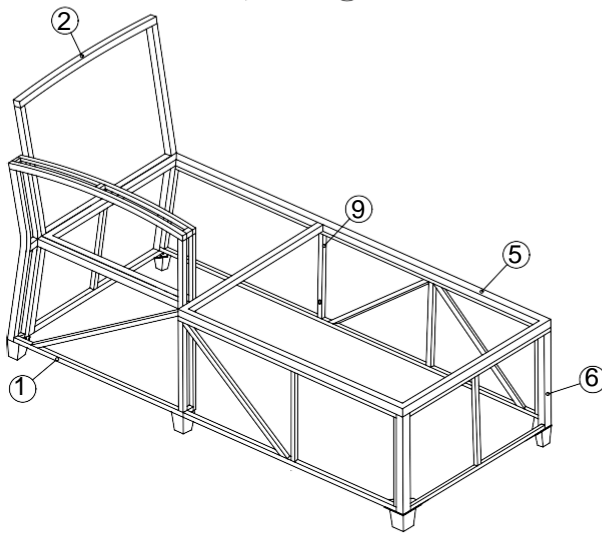
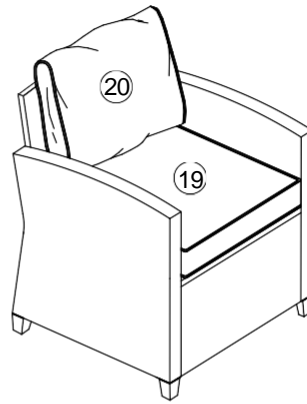
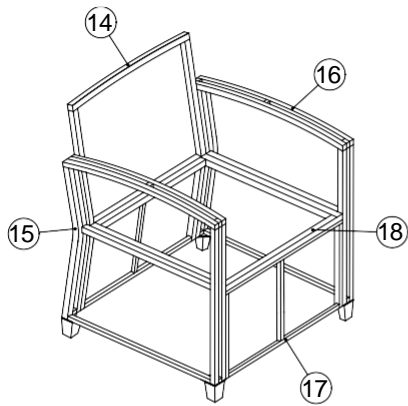
If your product is not designed to be outside, we recommend that it is always kept indoors in a dry environment.

## THE DO'S AND DON'TS OF GARDEN FURNITURE ASSEMBLY

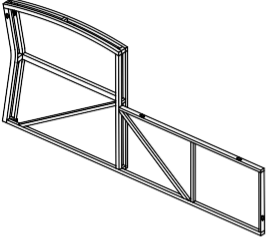
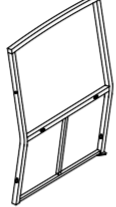
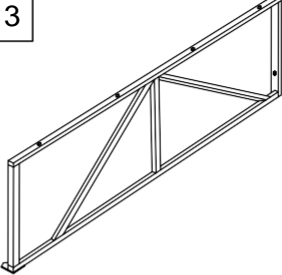
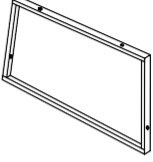
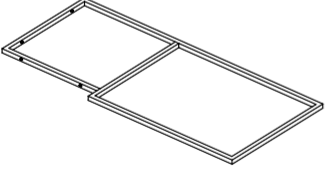
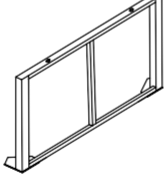
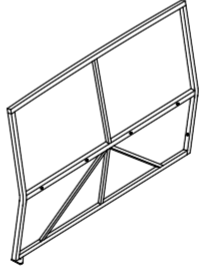
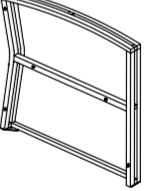
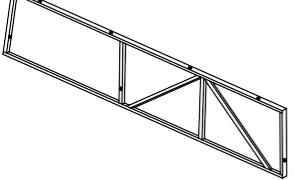
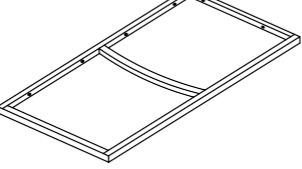
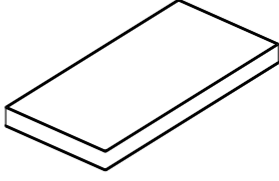
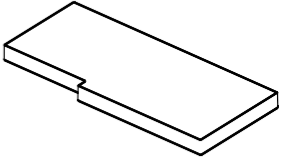



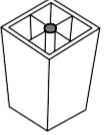




*Please note that we cannot guarantee compensation or refunds for damage incurred as a result of failure to follow these guidelines.*

- ✔ **DO** assemble your furniture on a grass area where possible. Alternatively, use a clean rug/sheet/drop cloth or even the furniture's cardboard packaging as a protective surface for assembly
- ✔ **DO** try to assemble your furniture near to where it will be placed to avoid having to move it too far once it is assembled
- ✔ **DO** place your furniture on a flat and even surface to prevent unnecessary stress on the connecting joints
- ✔ **DO** regularly check the bolts and re-tighten them if necessary
- ✘ **DON'T** assemble your furniture on an abrasive surface, such as gravel or concrete, as even small pieces of grit or debris can mark the furniture's surface
- ✘ **DON'T** lean parts against walls or hard surfaces during assembly to avoid the risk of your furniture marking or scratching.
- ✘ **DON'T** drag your furniture, as this can damage it. Instead, make sure you get somebody to help you lift your furniture if you need to move it

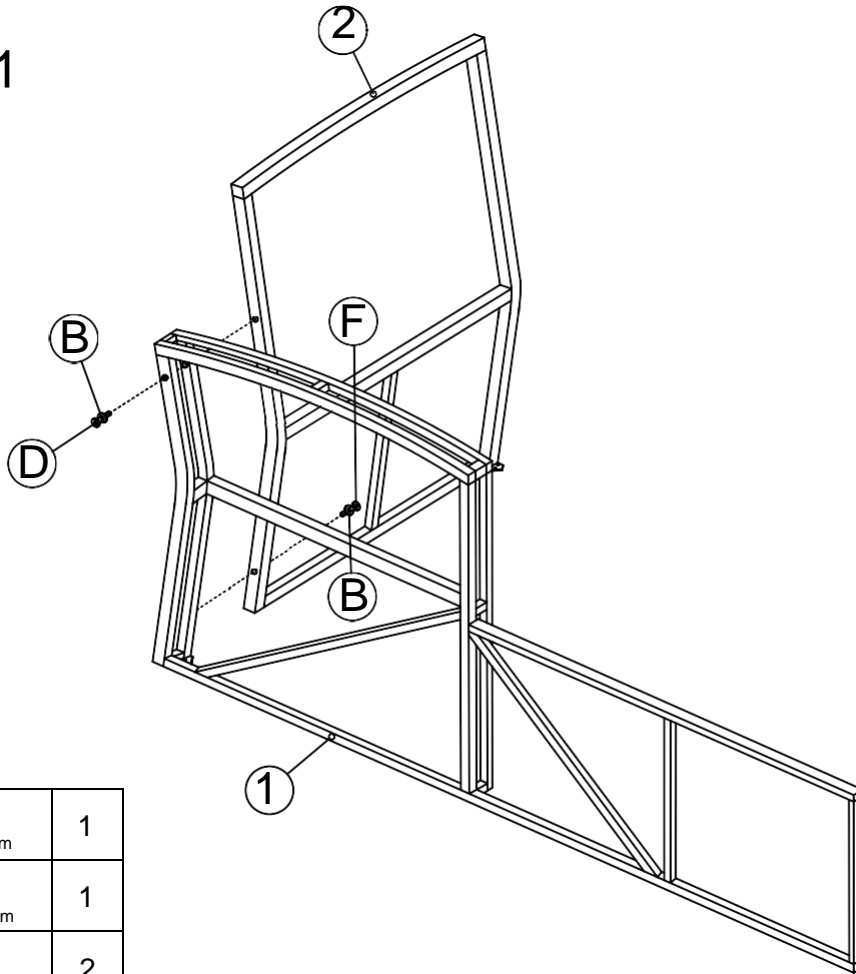
# ASSEMBLY INSTRUCTION






## Part List & Hardware

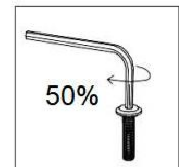
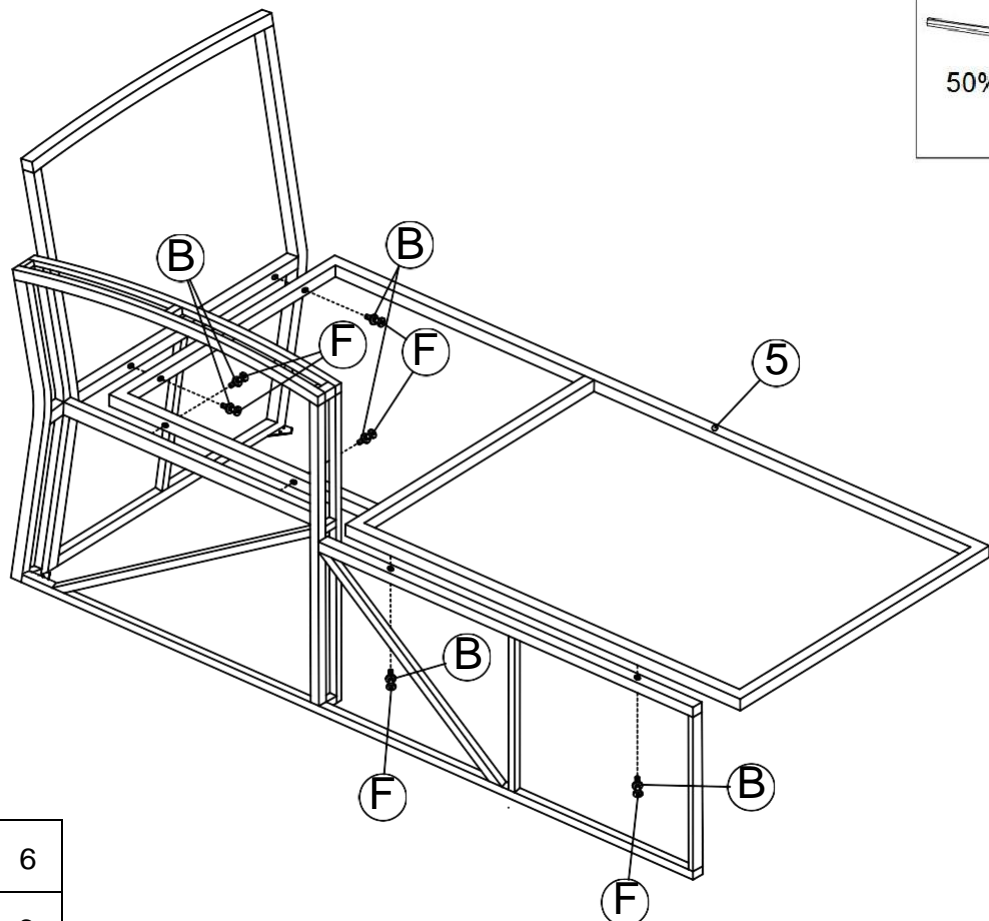
<p style="text-align: center;"><b>1</b></p>  <p style="text-align: center;">HW-STCH-RARM-1 (1 pc)</p>	<p style="text-align: center;"><b>2</b></p>  <p style="text-align: center;">HW-STCH-CHAISE-2 (1 pc)</p>	<p style="text-align: center;"><b>3</b></p>  <p style="text-align: center;">HW-STCH-SOFA-3 (1 pc)</p>	<p style="text-align: center;"><b>4</b></p>  <p style="text-align: center;">HW-STCH-SOFA-4 (1 pc)</p>
<p style="text-align: center;"><b>5</b></p>  <p style="text-align: center;">HW-STCH-CHAISE-5 (1 pc)</p>	<p style="text-align: center;"><b>6</b></p>  <p style="text-align: center;">HW-STCH-CHAISE-6 (1 pc)</p>	<p style="text-align: center;"><b>7</b></p>  <p style="text-align: center;">HW-STCH-SOFA-7 (1 pc)</p>	<p style="text-align: center;"><b>8</b></p>  <p style="text-align: center;">HW-STCH-SOFA-8 (1 pc)</p>
<p style="text-align: center;"><b>9</b></p>  <p style="text-align: center;">HW-STCH-CHAISE-9 (1 pc)</p>	<p style="text-align: center;"><b>10</b></p>  <p style="text-align: center;">HW-STCH-SOFA-10 (1 pc)</p>	<p style="text-align: center;"><b>11</b></p>  <p style="text-align: center;">HW-STCH-SOFA-11 (1 pc)</p>	<p style="text-align: center;"><b>12</b></p>  <p style="text-align: center;">HW-STCH-CUSH-12 (1 pc)</p>
<p style="text-align: center;"><b>13</b></p>  <p style="text-align: center;">HW-STCH-CUSH-13 (3 pcs)</p>	<p style="text-align: center;"><b>A</b></p>  <p style="text-align: center;">Allen key 4x80 mm (1 pc)</p>	<p style="text-align: center;"><b>B</b></p>  <p style="text-align: center;">Ø6 x 16 mm (39 pcs)</p>	<p style="text-align: center;"><b>C</b></p>  <p style="text-align: center;">HW-STCH-FEET-C (9 pcs)</p>
<p style="text-align: center;"><b>D</b></p>  <p style="text-align: center;">M6x70 mm (2 pcs)</p>	<p style="text-align: center;"><b>E</b></p>  <p style="text-align: center;">M6x60 mm (9 pcs)</p>	<p style="text-align: center;"><b>F</b></p>  <p style="text-align: center;">M6x40 mm (21 pcs)</p>	<p style="text-align: center;"><b>G</b></p>  <p style="text-align: center;">M6x30 mm (16 pcs)</p>



# STEP 1



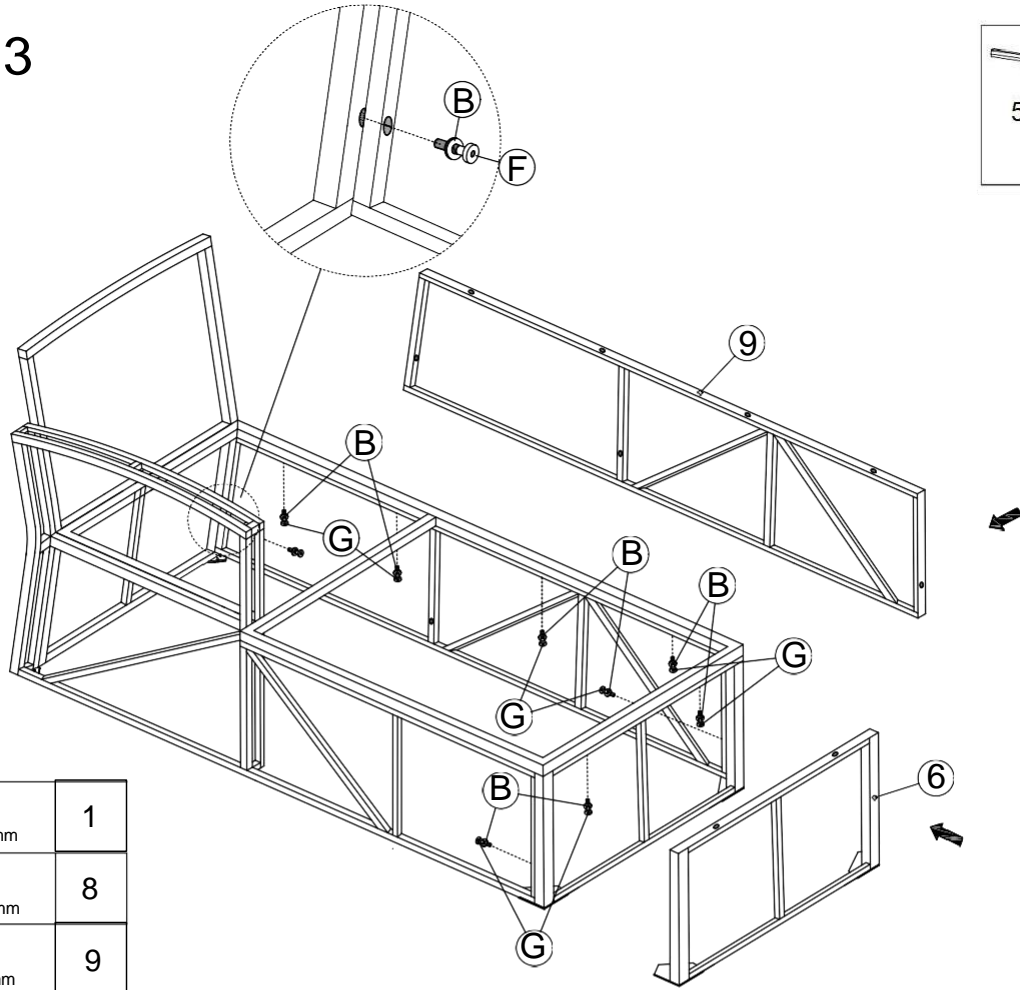
D	 M6 x 70 mm	1
F	 M6 x 40 mm	1
B	 Ø6 x 16 mm	2




# STEP 2



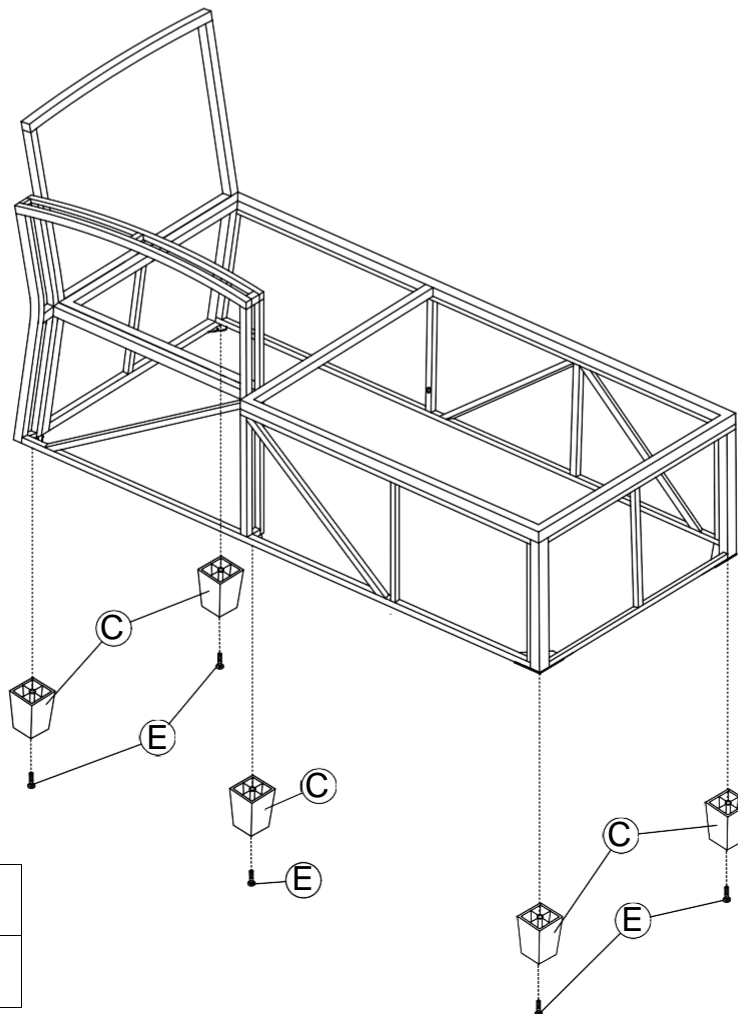
F	 M6 x 40 mm	6
B	 Ø6 x 16 mm	6



# STEP 3



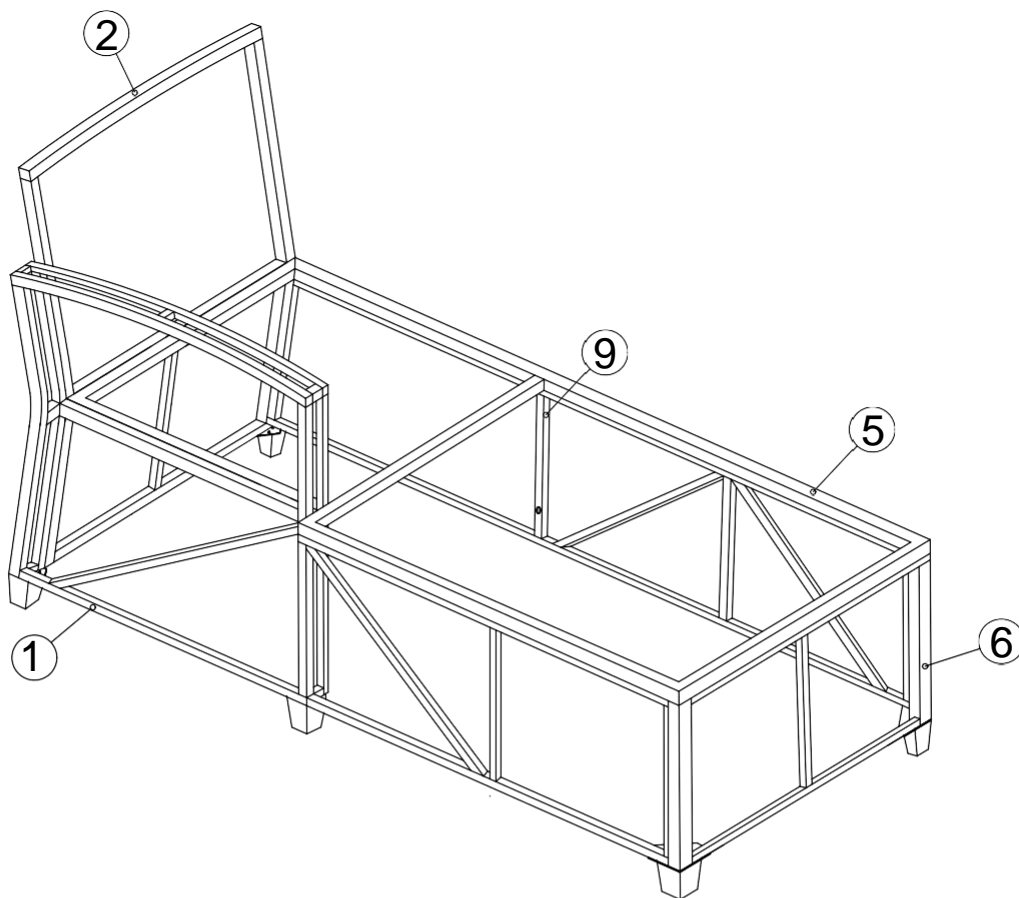
F	 M6 x 40 mm	1
G	 M6 x 30 mm	8
B	 Ø6 x 16 mm	9

# STEP 4

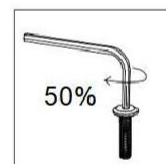
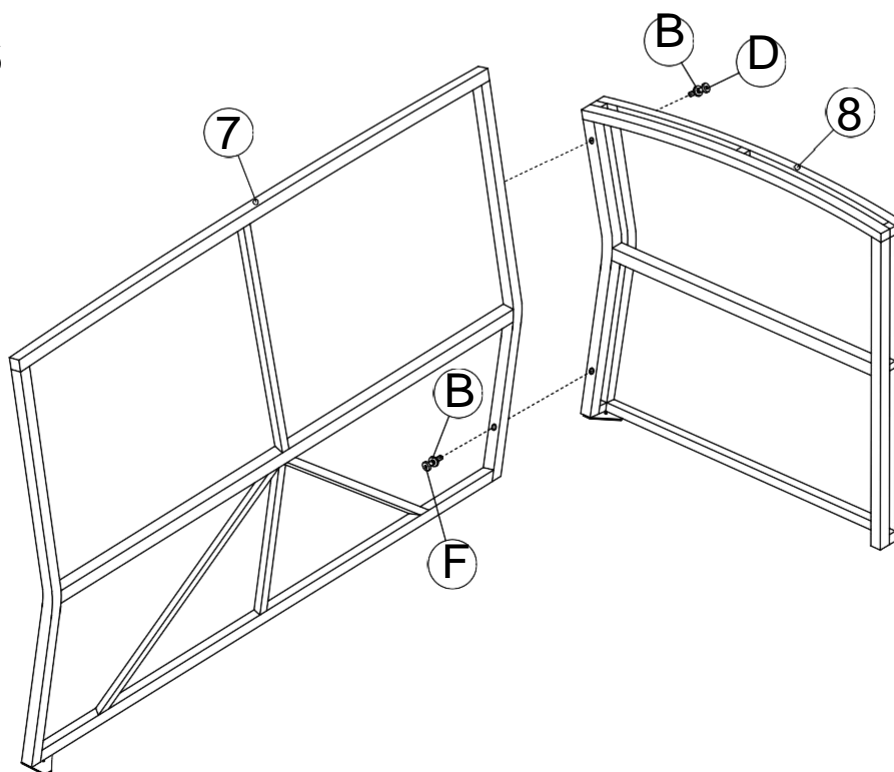





C		5
E	 M6 x 60 mm	5

# STEP 5

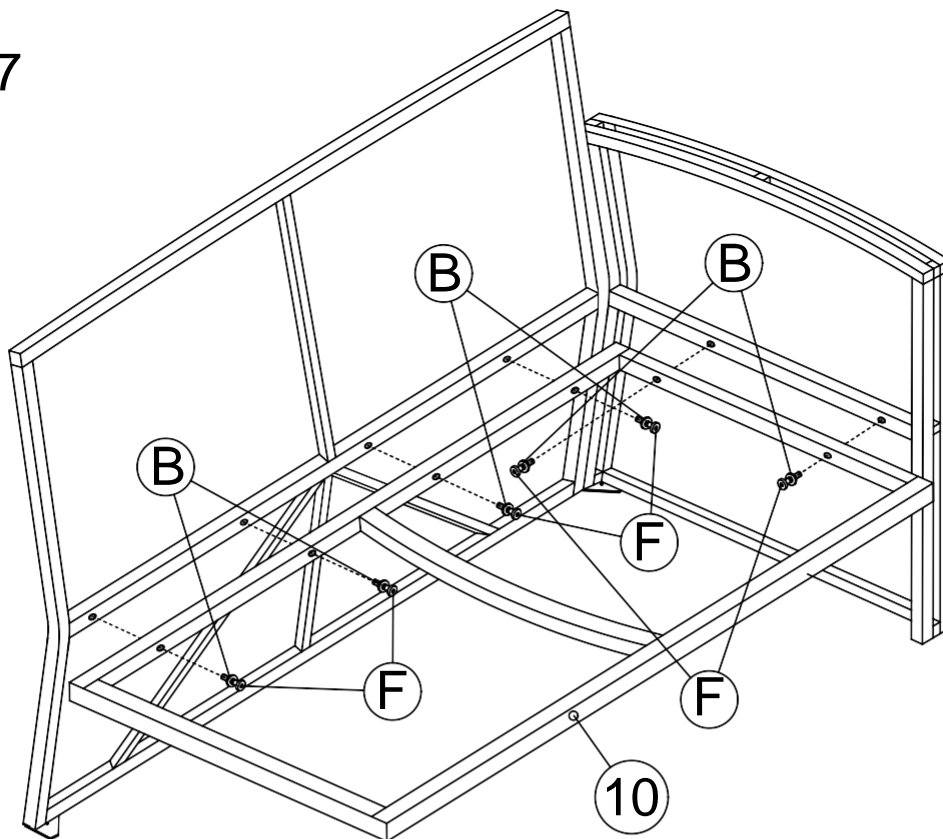




# STEP 6



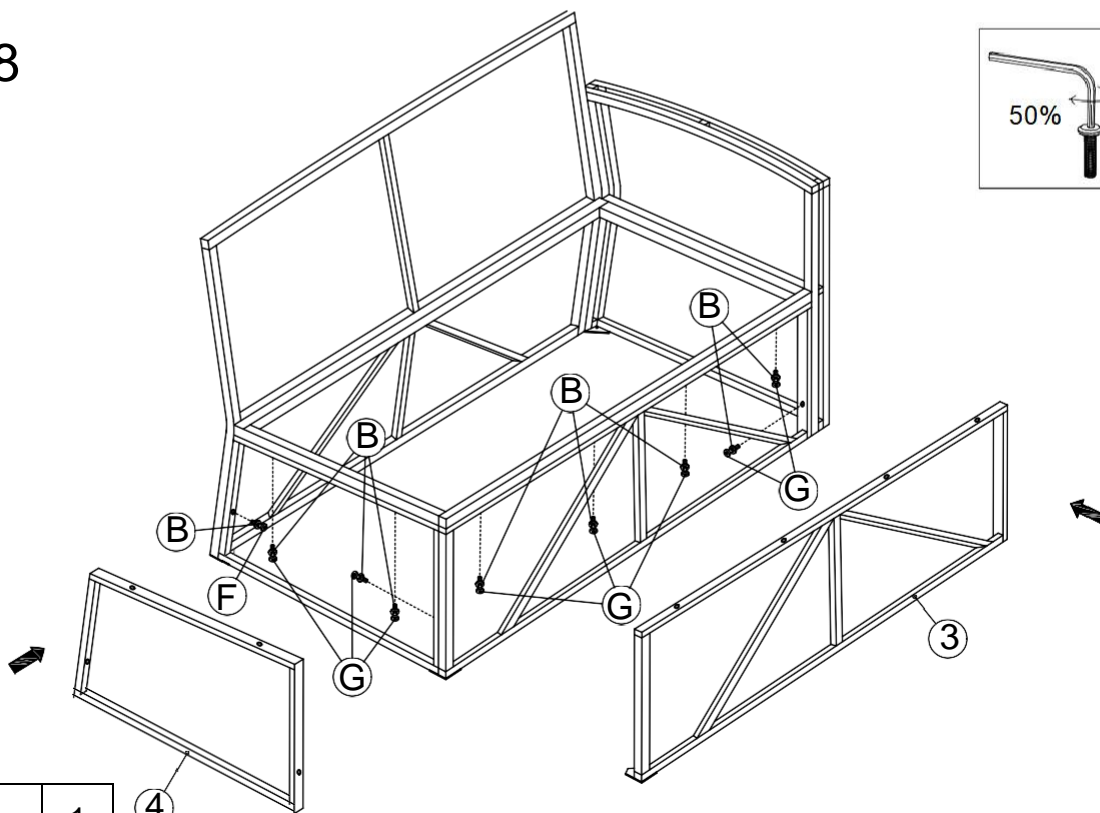
D	 M6 x 70 mm	1
F	 M6 x 40 mm	1
B	 Ø6 x 16 mm	2




# STEP 7



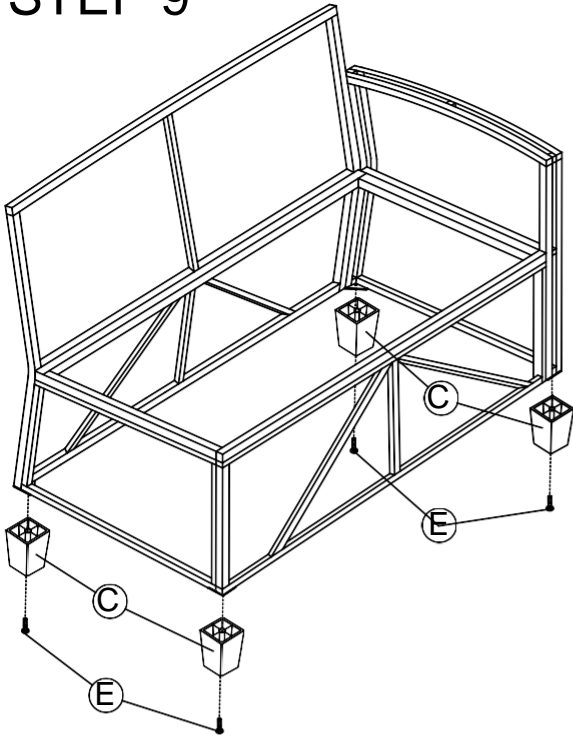
F	 M6 x 40 mm	6
B	 Ø6 x 16 mm	6


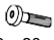
# STEP 8



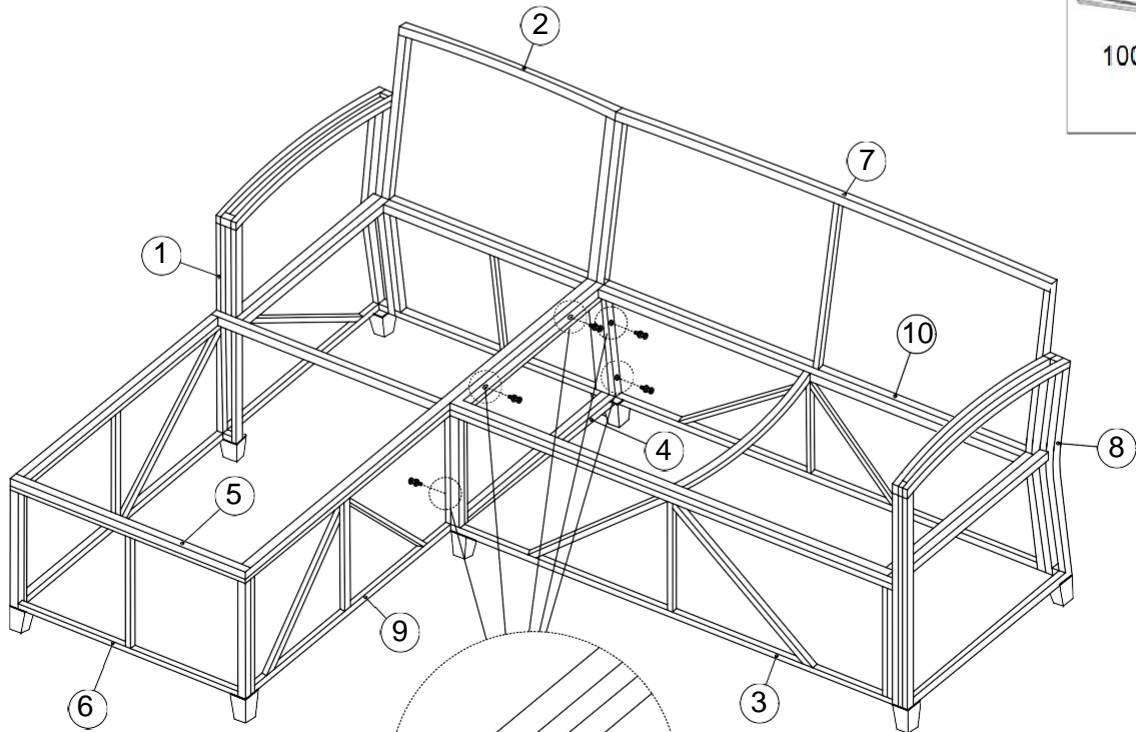
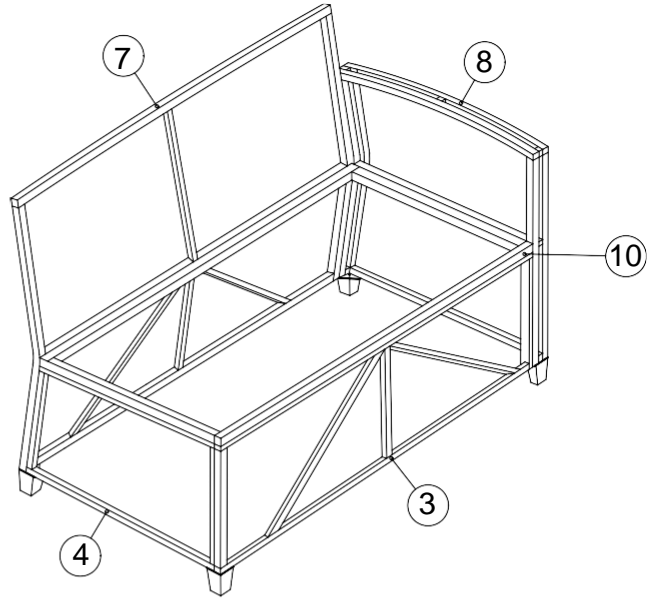
F	 M6 x 40 mm	1
G	 M6 x 30 mm	8
B	 Ø6 x 16 mm	9



# STEP 9

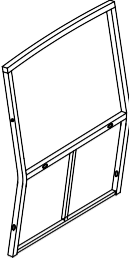
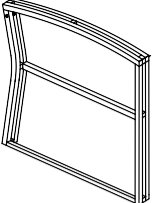
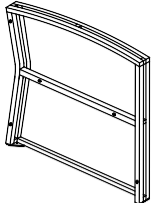
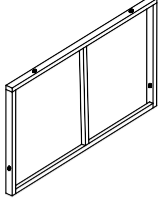
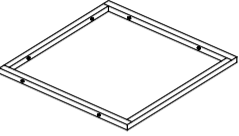
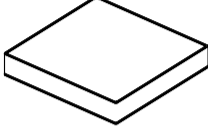



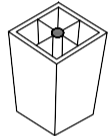






C		4
E	 M6 x 60 mm	4

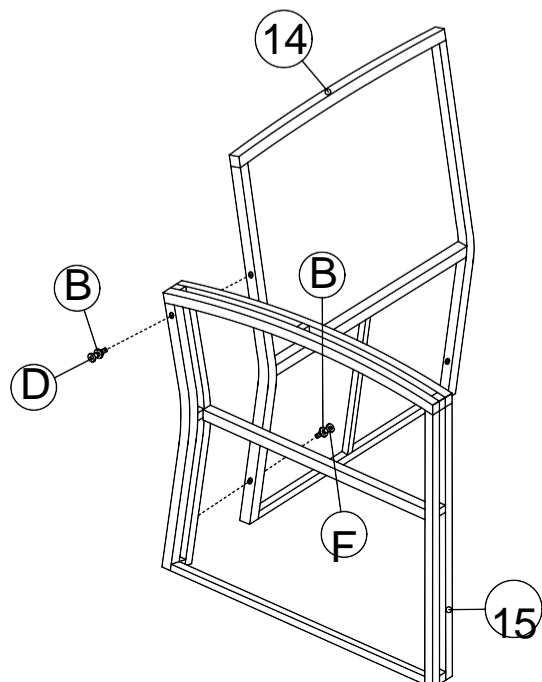
# STEP 10


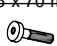
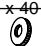


F	 M6 x 40 mm	5
B	 Ø6 x 16 mm	5

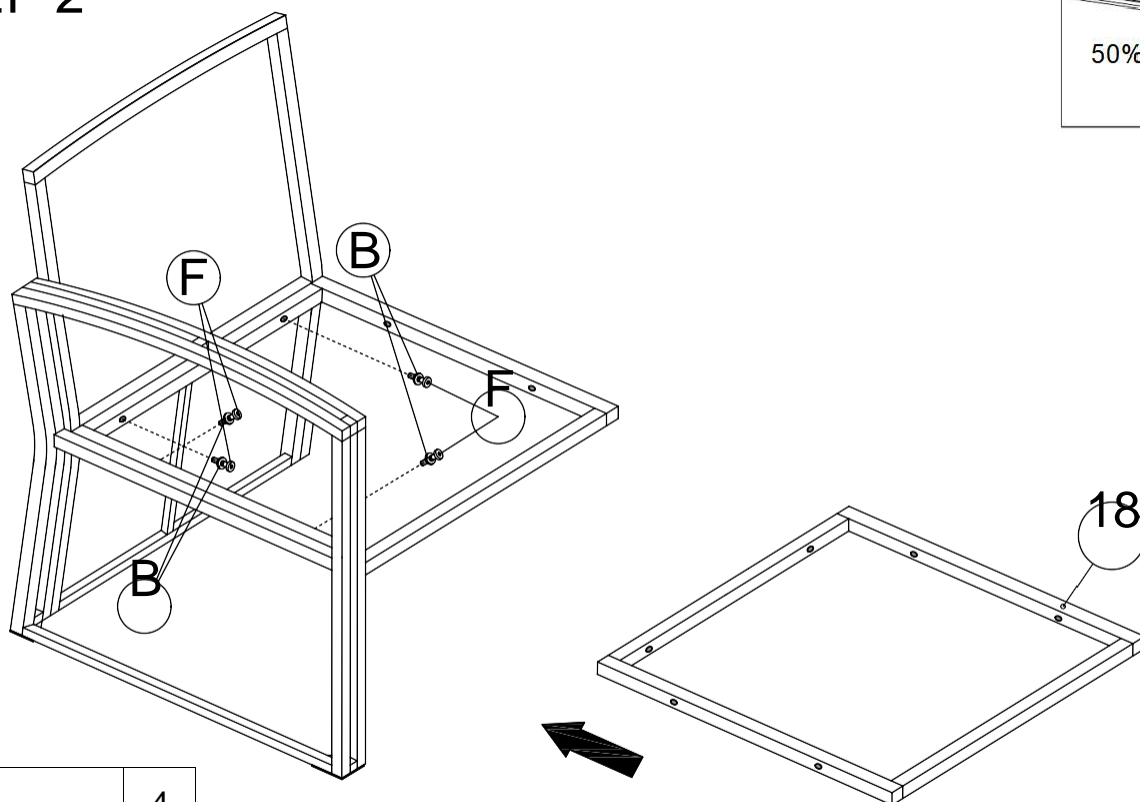
<p>14</p>  <p>HW-STCH-BKCH-14 (1 pc)</p>	<p>15</p>  <p>HW-STCH-LARM-15 (1 pc)</p>	<p>16</p>  <p>HW-STCH-LARM-16 (1 pc)</p>	<p>17</p>  <p>HW-STCH-FPCH-17 (1 pc)</p>
<p>18</p>  <p>HW-STCH-STCH-18 (1 pc)</p>	<p>19</p>  <p>HW-STCH-CUSH-19 (1 pc)</p>	<p>20</p>  <p>HW-STCH-CUSH-20 (1 pc)</p>	
<p>A</p>  <p>Allen key 4x80 mm (1 pc)</p>	<p>B</p>  <p>Ø6 x 16 mm (14 pcs)</p>	<p>C</p>  <p>HW-STCH-FEET-C (4 pcs)</p>	<p>D</p>  <p>M6x70 mm (2 pcs)</p>
<p>E</p>  <p>M6x60 mm (4 pcs)</p>	<p>F</p>  <p>M6x40 mm (8 pcs)</p>	<p>G</p>  <p>M6x30 mm (4 pcs)</p>	

## STEP 1



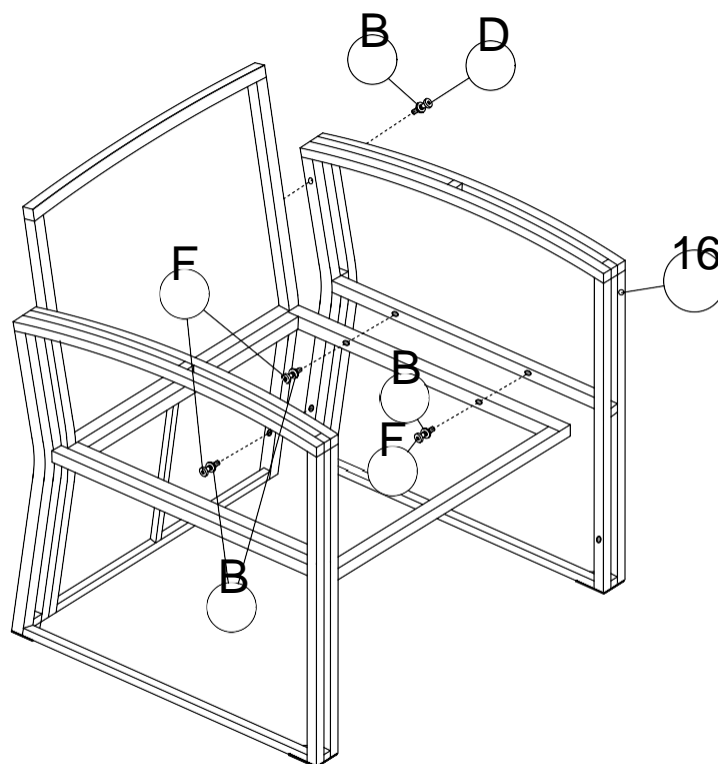
D		1
F		1
B		2

## STEP 2



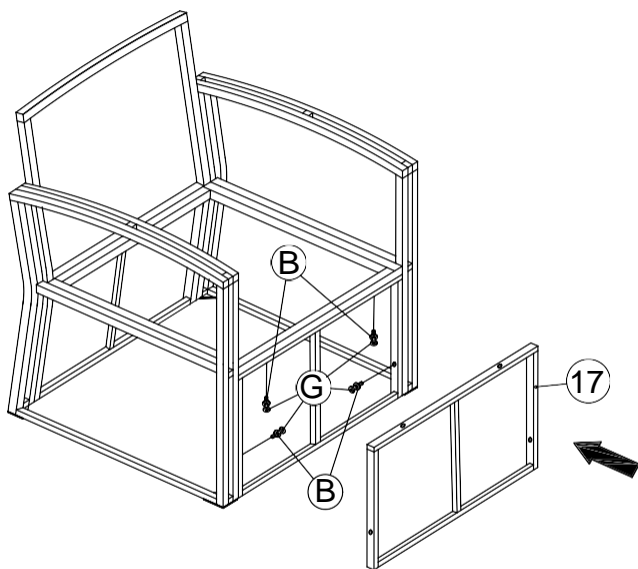
F	M6 x 40 mm	4
B	Ø6 x 16 mm	4



## STEP 3



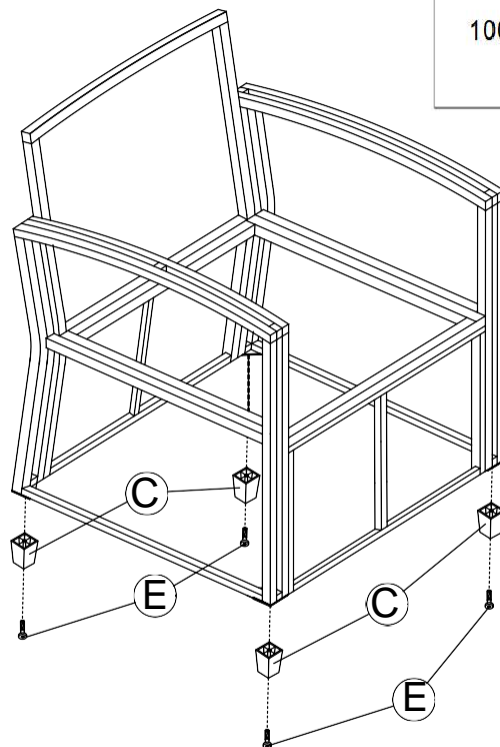
D	M6 x 70 mm	1
F	M6 x 40 mm	3
B	Ø6 x 16 mm	4


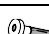
## STEP 4



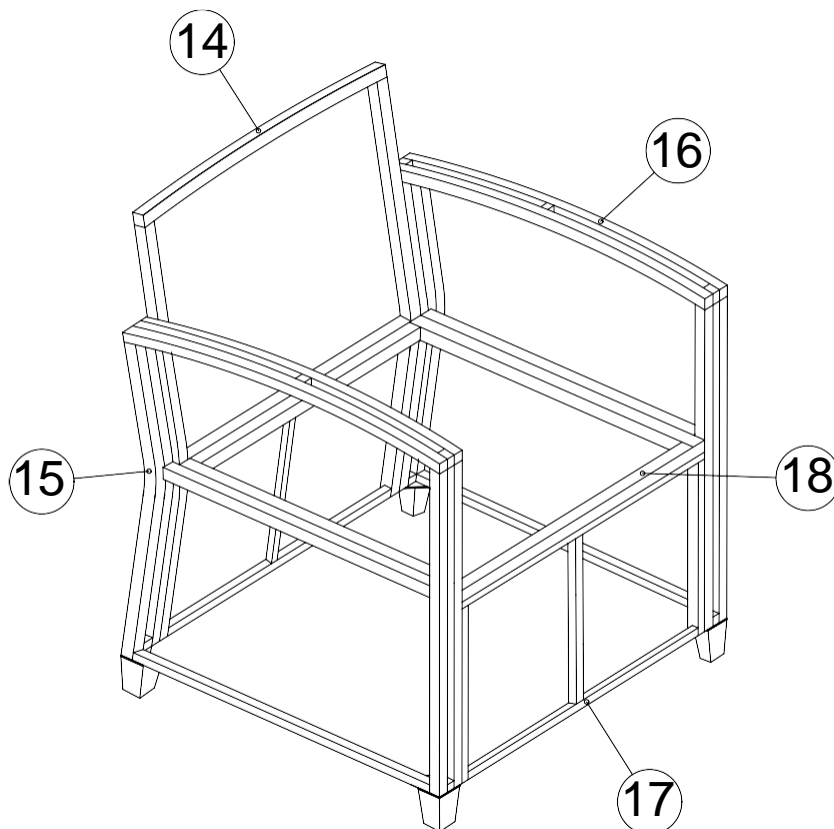
G	 M6 x 30 mm	4
B	 Ø6 x 16 mm	4

## STEP 5

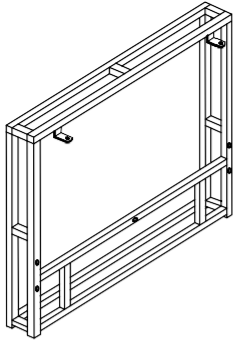


C		4
E	 M6 x 60 mm	4

## STEP 6

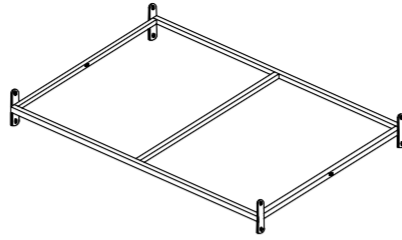


21



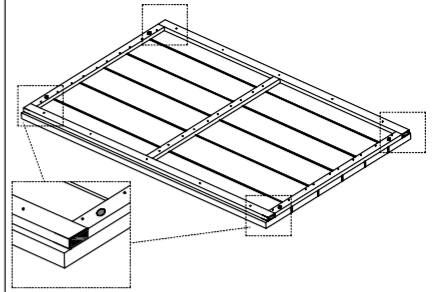
HW-STCH-TABLE-21  
(2 pcs)

22



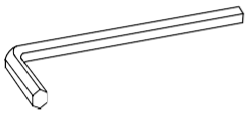
HW-STCH-TABLE-22  
(1 pc)

23



HW-STCH-TABLE-23  
(1 pc)

A



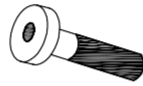
Allen key 4x80 mm  
(1 pc)

B



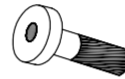
Ø6 x 16 mm  
(14 pcs)

G



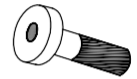
M6x30 mm  
(2 pcs)

H



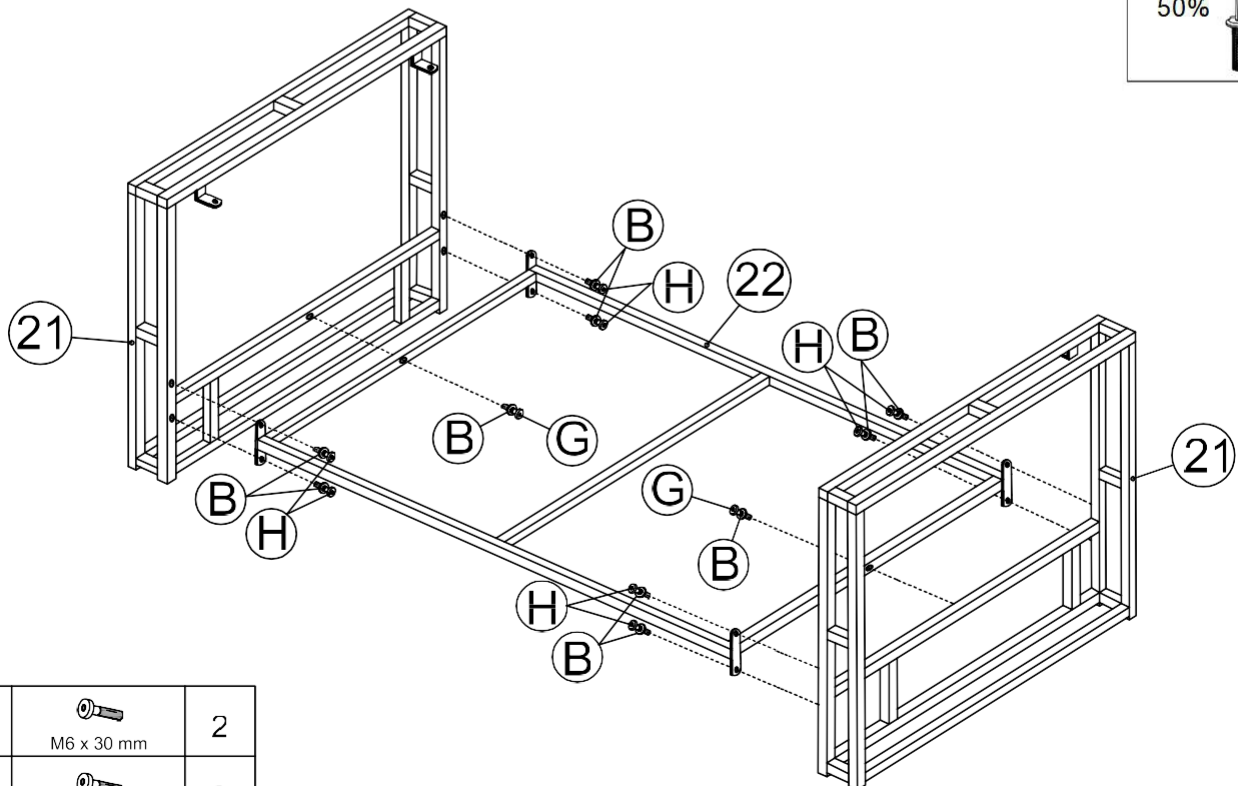
M6x20 mm  
(8 pcs)




I



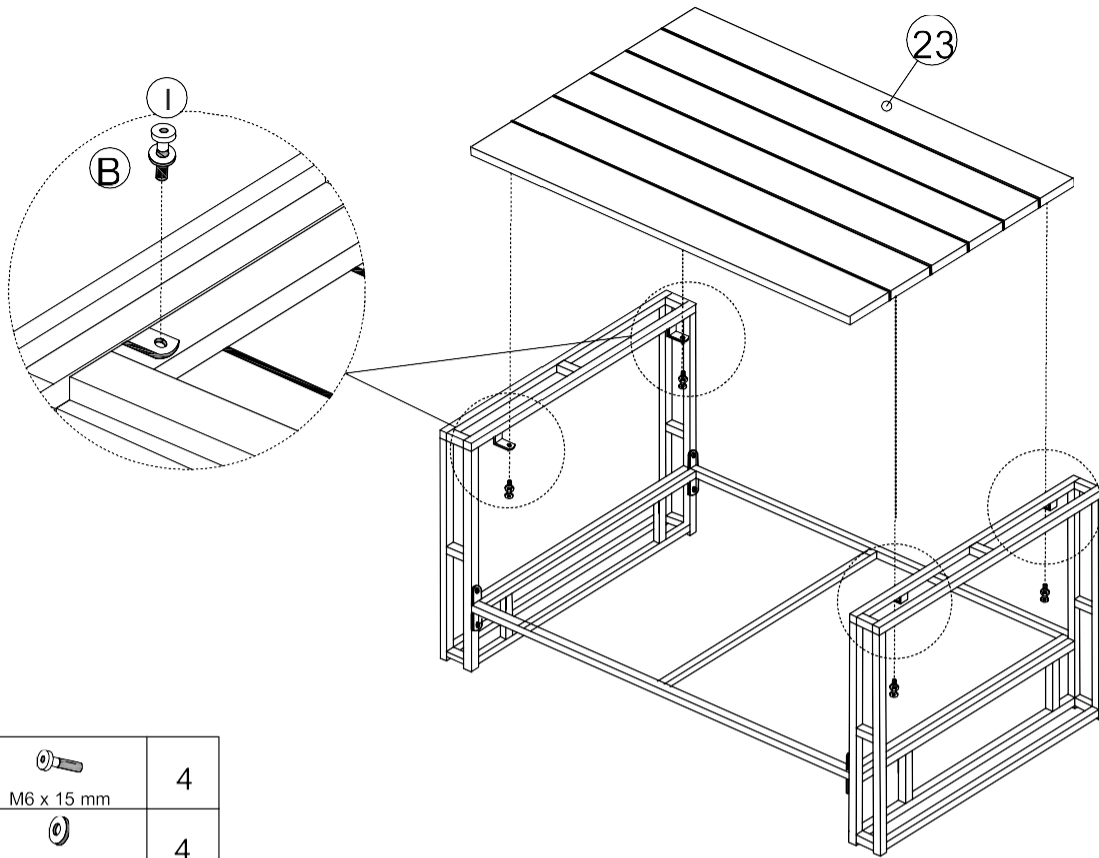
M6x15 mm  
(4 pcs)



## STEP 1



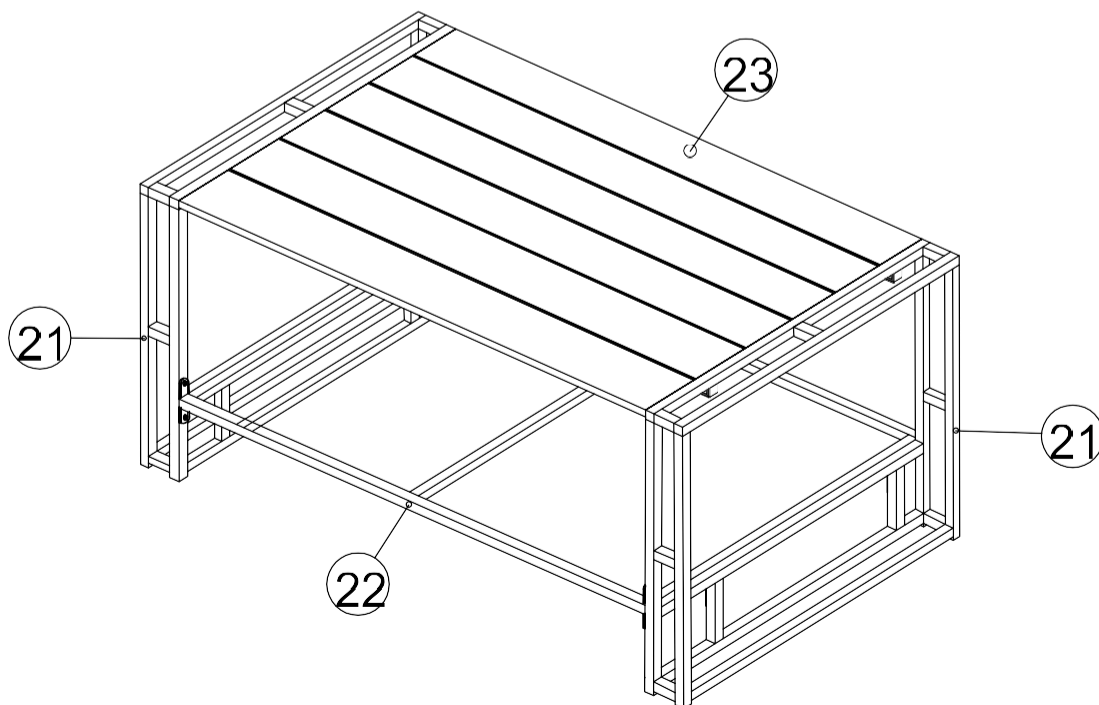
G	 M6 x 30 mm	2
H	 M6 x 20 mm	8
B	 Ø6 x 16 mm	10

## STEP 2

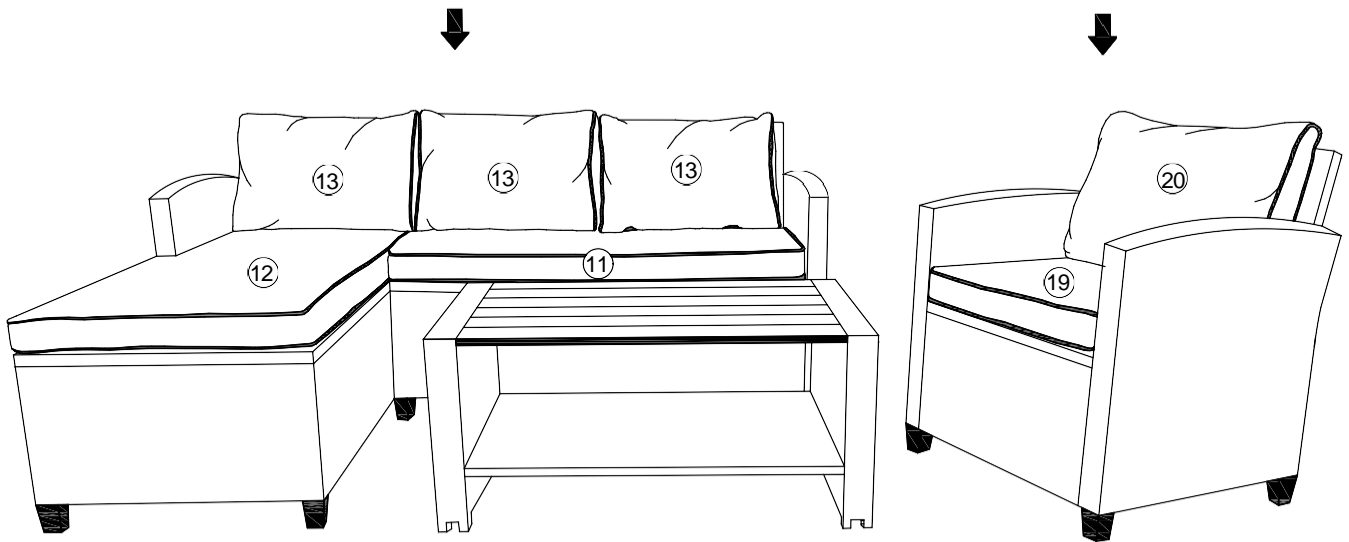


I	 M6 x 15 mm	4
B	 Ø6 x 16 mm	4

## STEP 3



Finished



## CLEANING & CARE FAQ'S

### **Can my furniture be left outside year-round?**

PE rattan is a highly durable synthetic rattan designed to withstand outdoor use. However, if you want to keep your furniture in the best condition, then we recommend covering it over with a furniture cover during the winter and when not in use.

If your furniture is usually positioned on a terrace, be sure to move the furniture and clean the area underneath from time to time and especially before covering your furniture over. Doing this will prevent the build-up of mould or fungi which can cause discolouration of terraces, due to moisture being trapped under surfaces for prolonged periods of time. This does not just apply to our furniture, you should also clean underneath any plant pots or other garden accessories and furniture with closed surfaces as all can discolour terraces and decking, due to a build up of mould over time.

### **Do I need to do any regular maintenance on my furniture?**

All of our artificial rattan furniture has powder coated steel frames to ensure excellent durability and significantly minimise the onset of rusting. However, given the nature of steel as a material, it is possible that some rust spots may appear on the inside of the frame after long term use. Please be assured that such spots are non-visible and do not impact the structural integrity of the furniture in any way.

In order to further prolong the onset of rusting, we strongly advise against jet washing your furniture with any kind of chemical cleaning solution, as this can accelerate rusting and cause rust water to permeate from the set. Instead, gently clean the set using soapy water and a cloth to wipe down the rattan. Synthetic rattan can be easily cleaned with soapy warm water and a cloth if necessary, but other than that it requires no maintenance.

### **Can the cushions be left outside when not in use?**

We recommend storing cushions indoors (such as in a shed or outbuilding) during any adverse weather or when the set is not in use to keep them in good condition.

### **How do I look after the cushions?**

- Regularly brush off any dirt when the fabric is dry
- In case of accidental spillage, immediately wipe away any excess liquid and gently press paper towels/ tissue onto the spilled area to minimise seepage into the cushion. Sponge lightly with a mild solution of natural soap and lukewarm water, followed by rinsing thoroughly with fresh water. Allow fabric to air dry thoroughly out of direct sunlight. Avoid using bleach based cleaners.
- Do not machine wash, spin dry or tumble dry to prevent shrinkage or distortion.
- Wet or damp cushions should be dried on their side in a well aired location