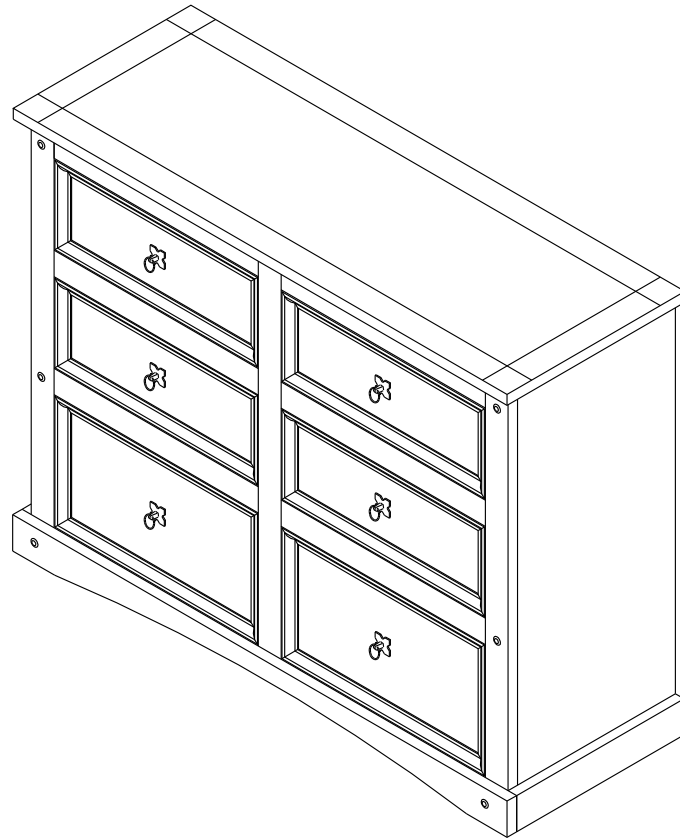


Corona 6 Drawer Chest

ASSEMBLY INSTRUCTIONS



IMPORTANT

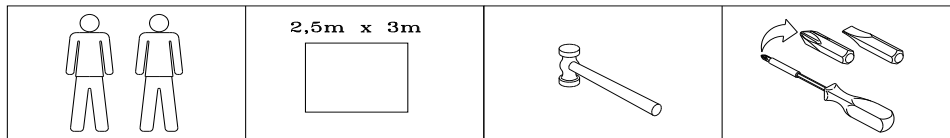
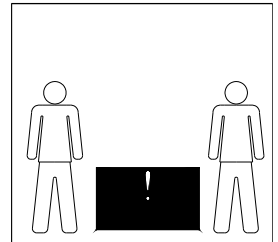
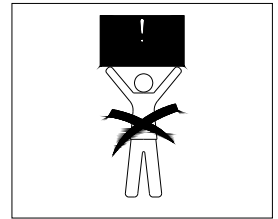
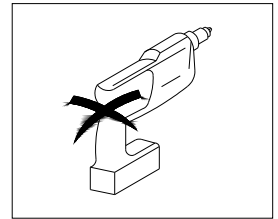
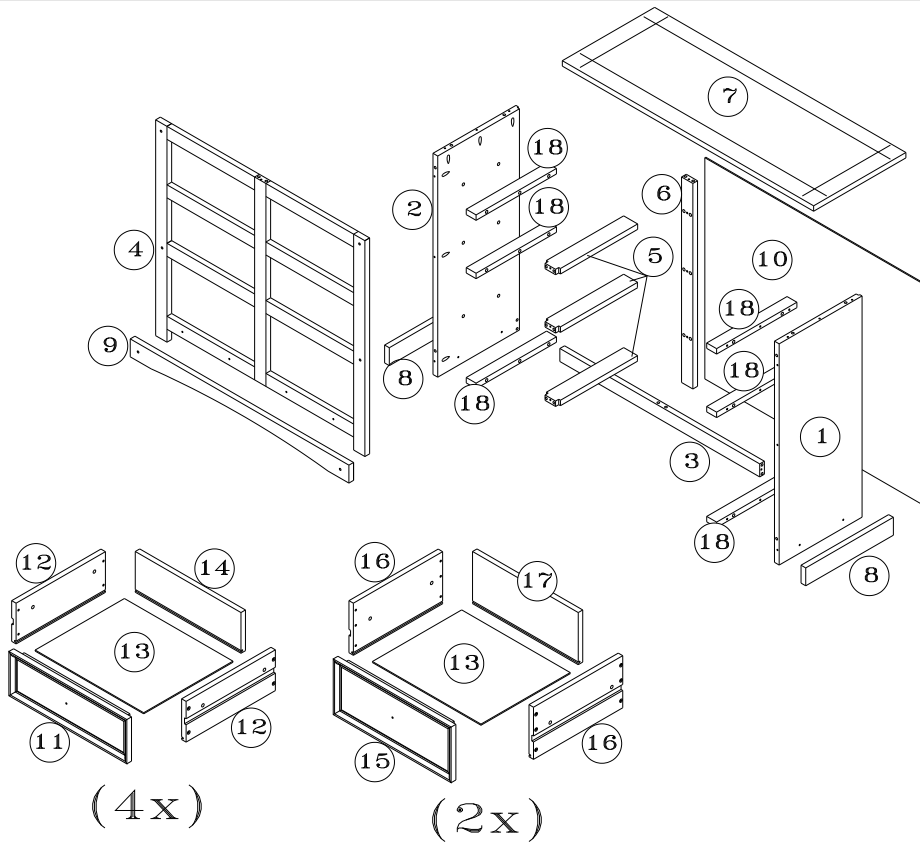
PLEASE READ BEFORE YOU CONTINUE FURTHER

FOR DOMESTIC USE ONLY

CARE AND MAINTENANCE

After unpacking this product please keep the original packaging in case it needs to be returned for any reason.

- Please ensure all fittings and parts are present before commencing with assembly.
- We recommend that you lay a blanket or sheet on the floor to avoid damage to both your floor and the product.
- We strongly recommend that you keep children away from your work area.
- Assemble this product as close to its final position as possible.
- Never drag or push products as this could cause damage to the joints making it inferior.
- Do not place this product next to a radiator or in direct sunlight.
- Wood is a natural product and may expand if subjected to damp and may shrink or crack if subjected to heat. Therefore it is recommended that room temperature is maintained, with no sudden temperature fluctuations.
- Make sure any spillage is wiped off immediately.
- Do not place hot or chilled items directly on to the surface, use a place mat or marking will occur.
- For general cleaning use a duster, and do not use detergents of any kind. However, the surface will need to be retreated from time to time. This can be done by using block wax (unperfumed) and rubbing it over the whole item.
- From time to time it may be necessary to tighten fittings, regular inspections should be carried out.



! * Use of power tools to assemble this product will invalidate any claim and damage this product making unsafe !!!
* Please assemble on a clean soft surface to avoid damage.

! * Please check contents and read the instructions before commencing assembly.
* Assemble this product following the enclosed instructions carefully.
* Please take care to avoid damaging panels during assembly.

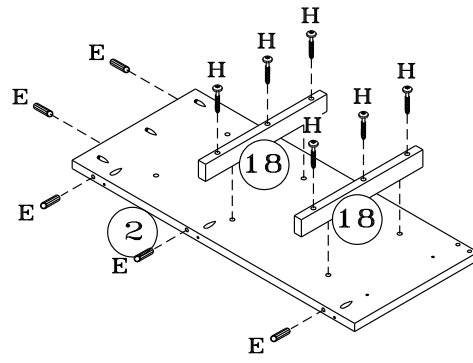
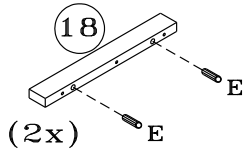
PARTS LIST

1	Right Side Panel	01	8	Side Plinth	02	15	Large Drawer Front	02
2	Left Side Panel	01	9	Front Plinth	01	16	Large Drawer Side	04
3	Back Crossbeam	01	10	Back Panel	01	17	Large Drawer Back	02
4	Front Frame	01	11	Small Drawer Front	04	18	Drawer Runner	06
5	Centre Drawer Runner	03	12	Small Drawer Side	08			
6	Back Upright	01	13	Drawer Bottom	06			
7	Top	01	14	Small Drawer Back	04			

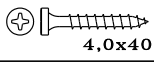
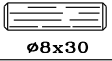
FITTINGS

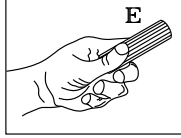
A	3.5x35	31	E	8x30	54	H	4.0x40	18
B	3.0x30	56	F		06	I	3.5 x 16	07
C		06	G		06	J	1x	01
D	10x10	23					2x	

01

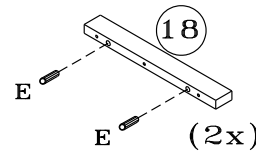
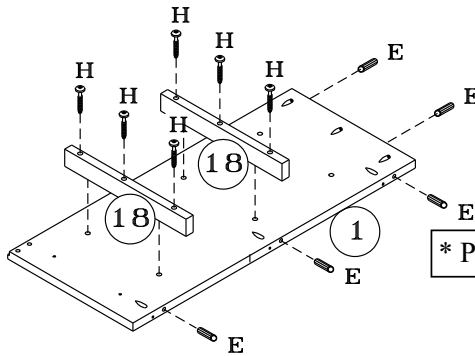


* Please assemble on a clean soft surface to avoid damage.

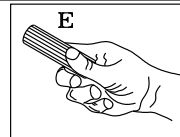
H	 4,0x40	06
E	 $\varnothing 8 \times 30$	09

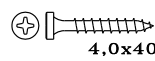
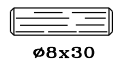


02

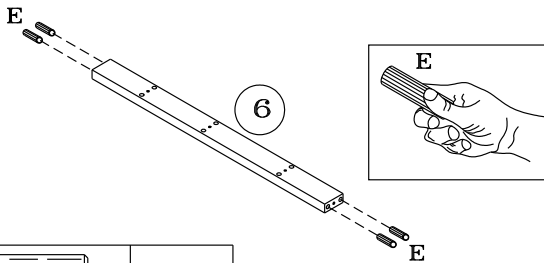


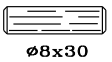
* Please assemble on a clean soft surface to avoid damage.



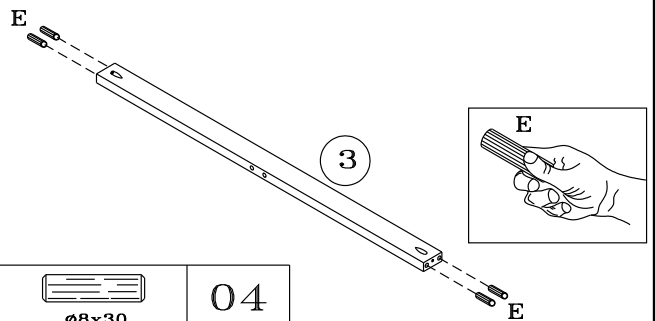
H	 4,0x40	06
E	 $\varnothing 8 \times 30$	09

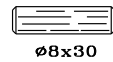
03



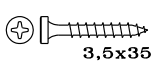
E	 $\varnothing 8 \times 30$	04
---	---	----

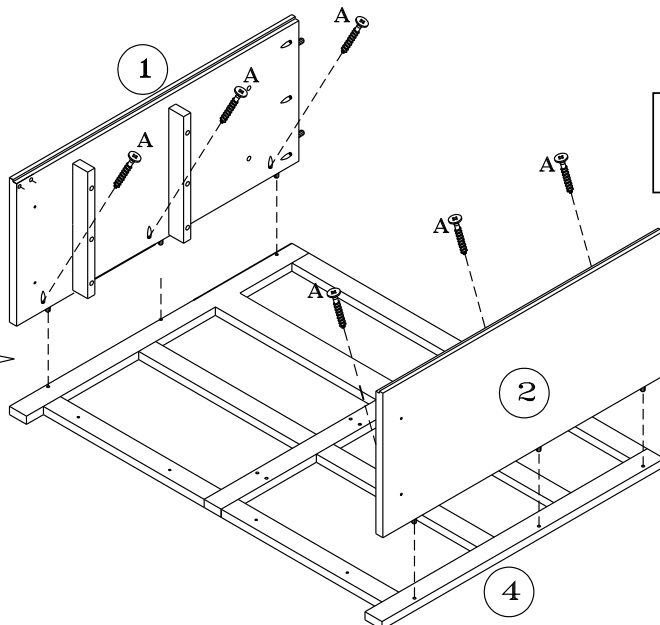
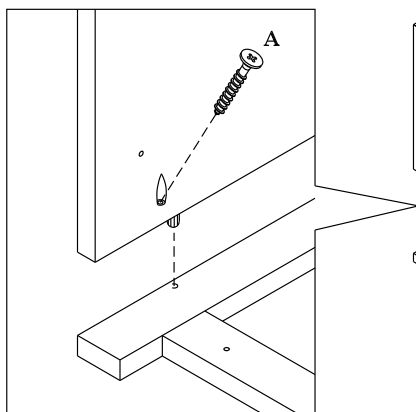
04



E	 $\varnothing 8 \times 30$	04
---	--	----

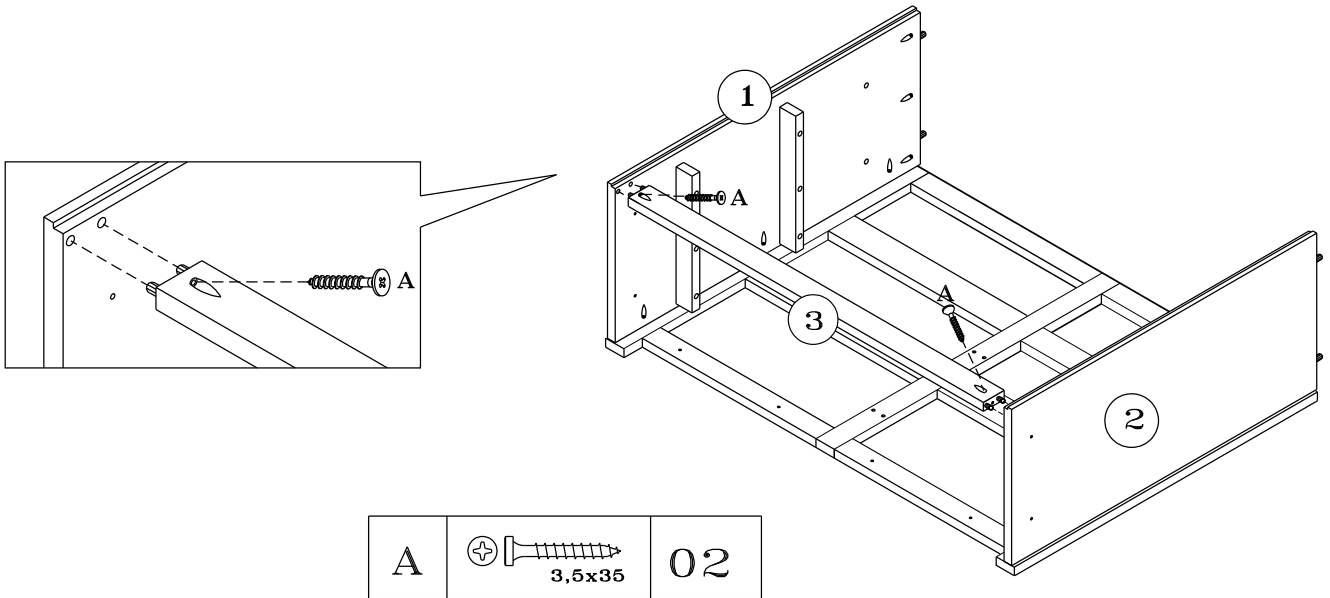
05


A	 3,5x35	06
---	--	----



Please assemble on a clean soft surface to avoid damage.

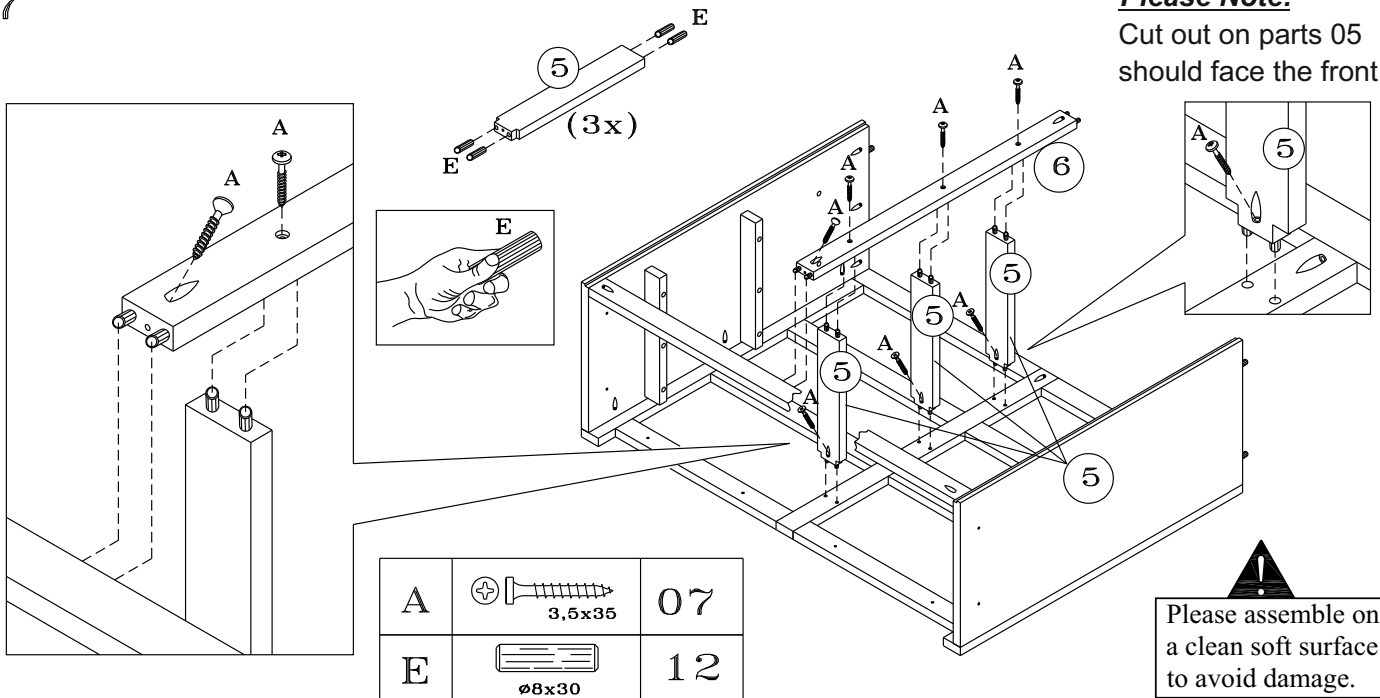
06






A	 3,5x35	02
---	--	----

07

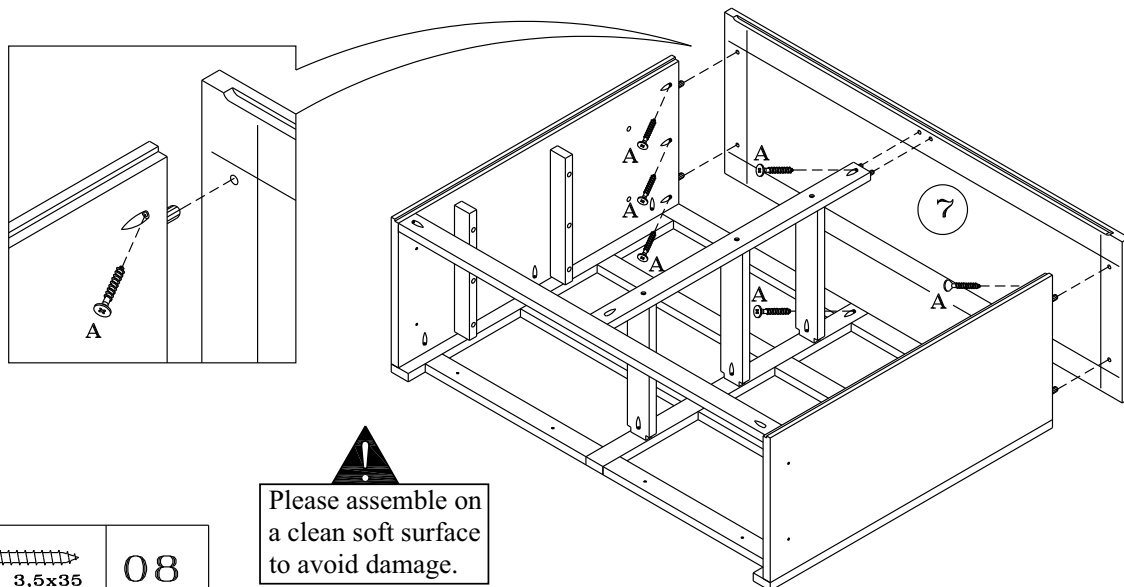
Please Note:
Cut out on parts 05 should face the front.





A	 3,5x35	07
E	 Ø8x30	12

 Please assemble on a clean soft surface to avoid damage.

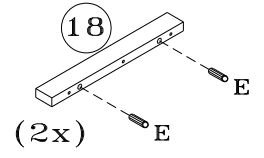
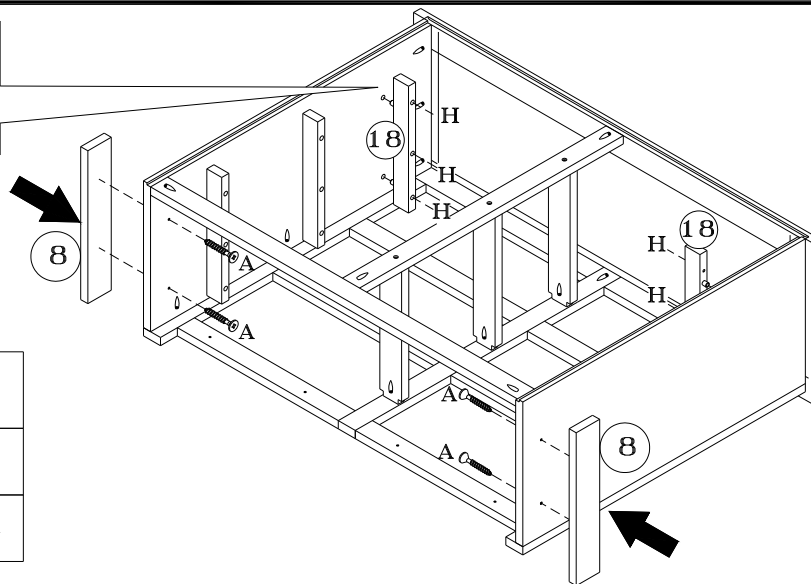
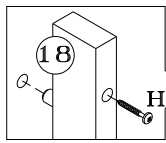
08



A	 3,5x35	08
---	--	----

 Please assemble on a clean soft surface to avoid damage.

09

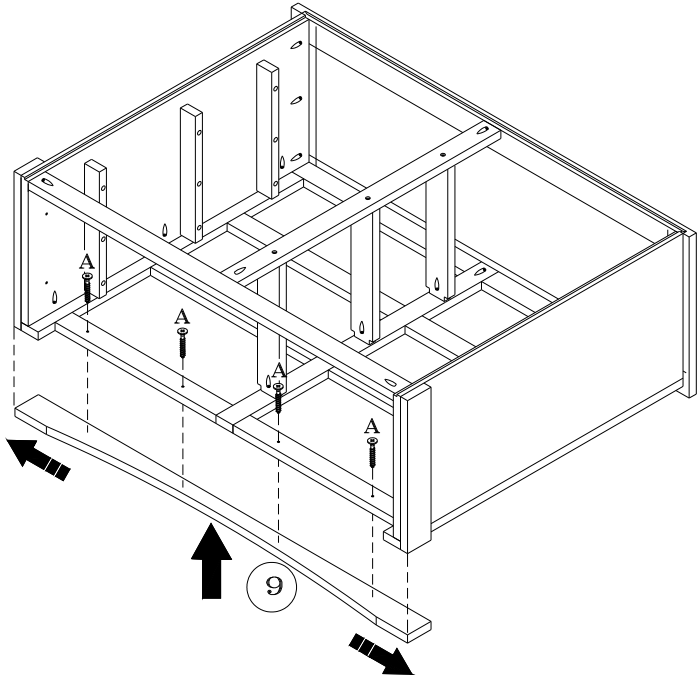


!
Please assemble on a clean soft surface to avoid damage.

A	3,5x35	04
H	4,0x40	06
E	ø8x30	04

10

!
Please assemble on a clean soft surface to avoid damage.

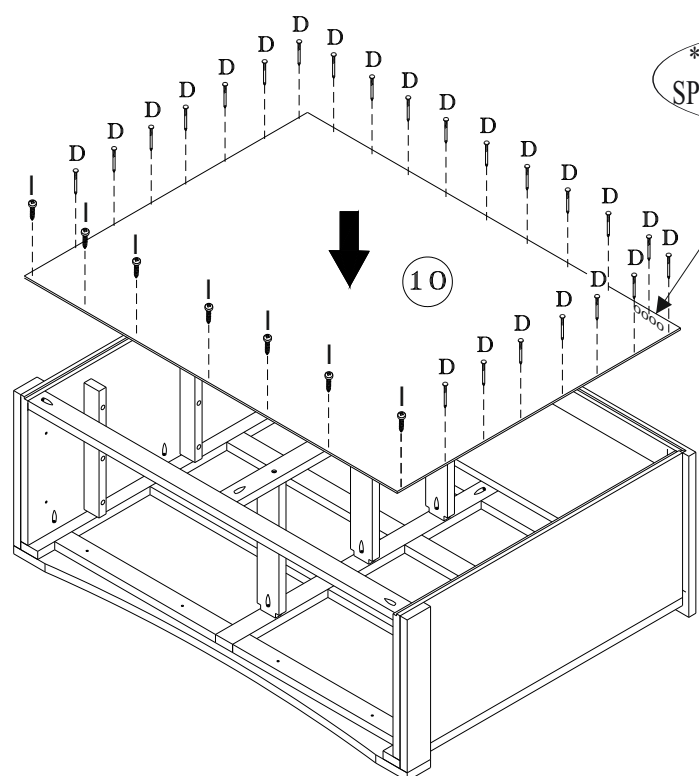


A	3,5x35	04
---	--------	----

11

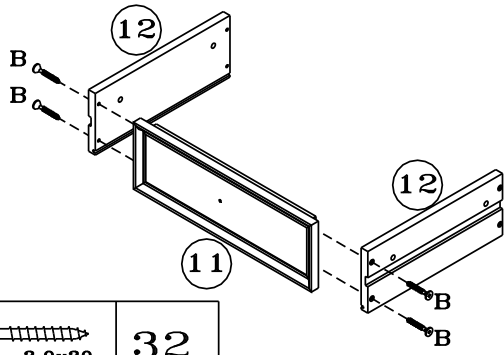
* For your future reference SPD Number should be here

!
Please assemble on a clean soft surface to avoid damage.



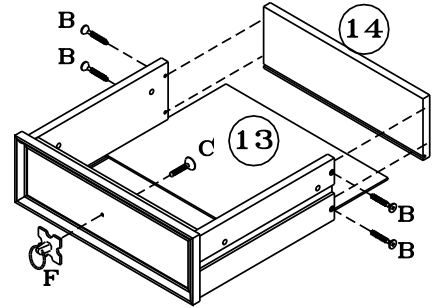
I	3,5x16	07
D	10x10	23

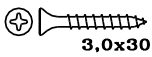


12



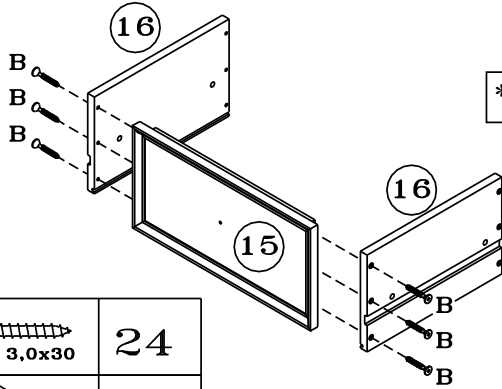
* Please assemble on a clean soft surface to avoid damage.

(4x)



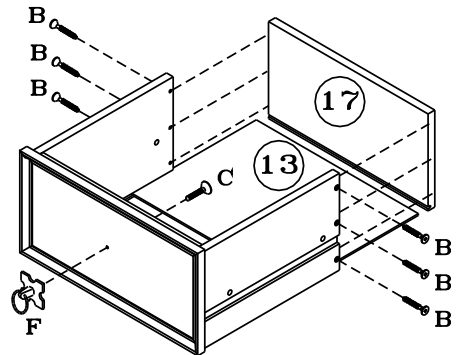
B	 3,0x30	32
F		04
C		04

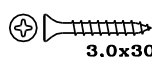


13



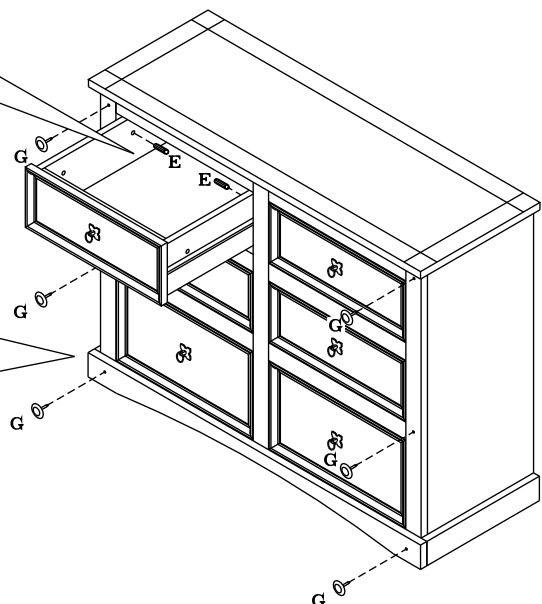
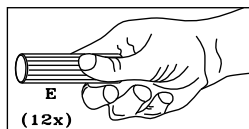
* Please assemble on a clean soft surface to avoid damage.

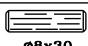

(2x)

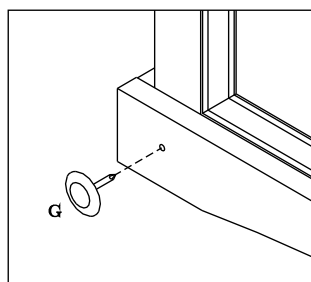


B	 3,0x30	24
F		02
C		02

14



E	 Ø8x30	12
G		06

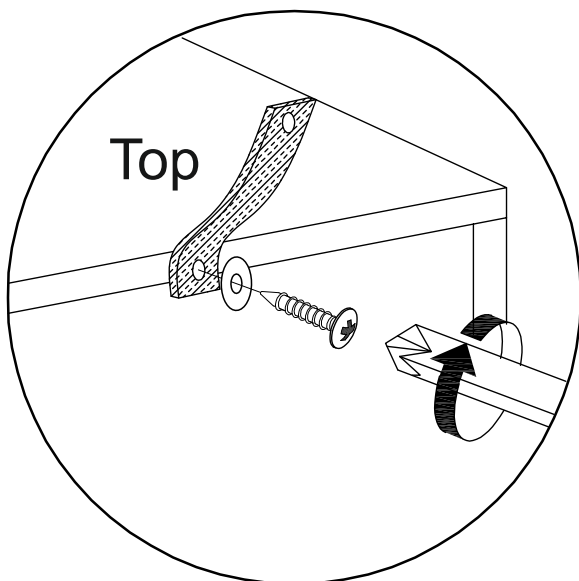


WARNING

Serious or fatal injuries can occur from furniture tipping over. To prevent the furniture from tipping over we recommend that it is permanently fixed to the wall.

Wall fixings are not supplied with this product as different wall materials require different types of fixing devices.

Please make sure you use fixings suitable for the walls in your home.



J - HARDWARE LIST



Strap (Anti-Tip Kit)
(1x)



Wood Screw (Anti-Tip Kit)
3,5 x 25mm (1x)



Washer (Anti-Tip Kit)
(2x)

