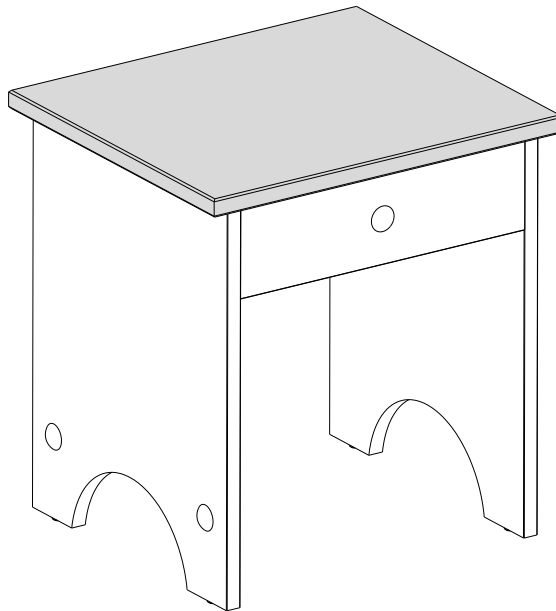


# CORONA DRESSING TABLE STOOL

## ASSEMBLY INSTRUCTIONS

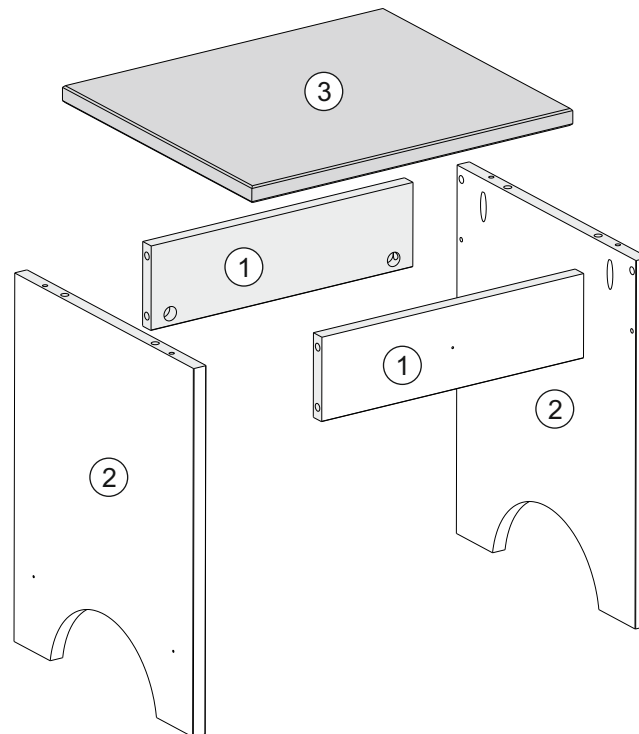
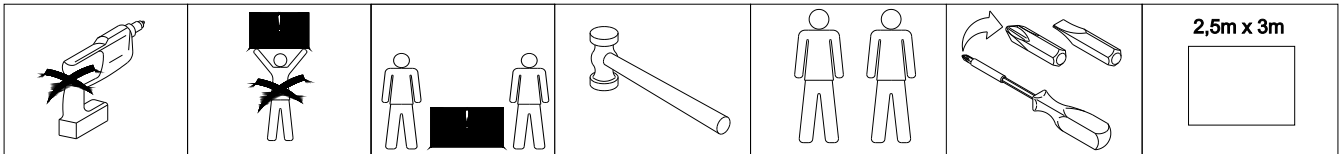


**IMPORTANT**  
**FOR DOMESTIC USE ONLY**  
**PLEASE READ BEFORE YOU CONTINUE FURTHER**

## CARE AND MAINTENANCE

After unpacking this product please keep the original packaging in case it needs to be returned for any reason.


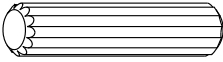
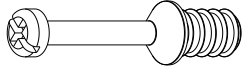

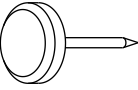
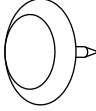
- Please ensure all fittings and parts are present before commencing with assembly.
- We recommend that you lay a blanket or sheet on the floor to avoid damage to both your floor and the product.
- We strongly recommend that you keep children away from your work area.
- Assemble this product as close to its final position as possible.
- Never drag or push products as this could cause damage to the joints making it inferior.
- Do not place this product next to a radiator or in direct sunlight.
- Wood is a natural product and may expand if subjected to damp and may shrink or crack if subjected to heat. Therefore it is recommended that room temperature is maintained, with no sudden temperature fluctuations.
- Make sure any spillage is wiped off immediately.
- Do not place hot or chilled items directly on to the surface, use a place mat or marking will occur.
- For general cleaning use a duster, and do not use detergents of any kind. However, the surface will need to be retreated from time to time. This can be done by using block wax (unperfumed) and rubbing it over the whole item.
- From time to time it may be necessary to tighten fittings, regular inspections should be carried out.



### PARTS LIST

<i>No.</i>	<i>Part Name</i>	<i>Qty</i>	<i>Box No.</i>
1	Crossbeam	02	1/1
2	Left/Right side	02	1/1
3	Seat pad	01	1/1

## FITTINGS

A	 Ø 3,5 x 35mm	04
B	 Ø 8 x 30mm	08
C		04
D		04
E		04
F		06



**\*Use of power tools to assemble this product will invalidate any claim and could damage this product making it unsafe!!!**

**\*Please assemble on a clean soft surface to avoid damage.**

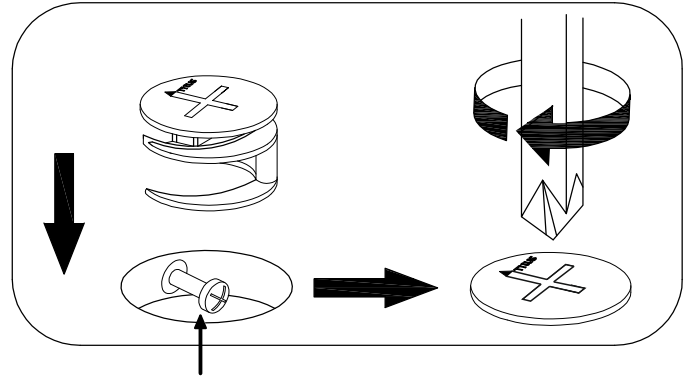
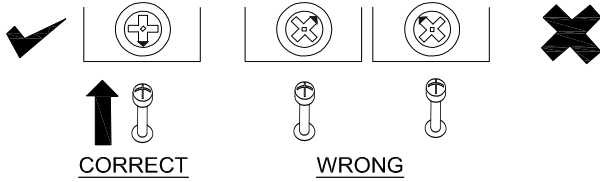
**\*Please check contents and read the instructions before commencing assembly.**

**\*Assemble this product following the enclosed instructions carefully.**

**\*Please take care to avoid damaging parts during assembly.**

# TIPS FOR FITTING CAM-LOCKS

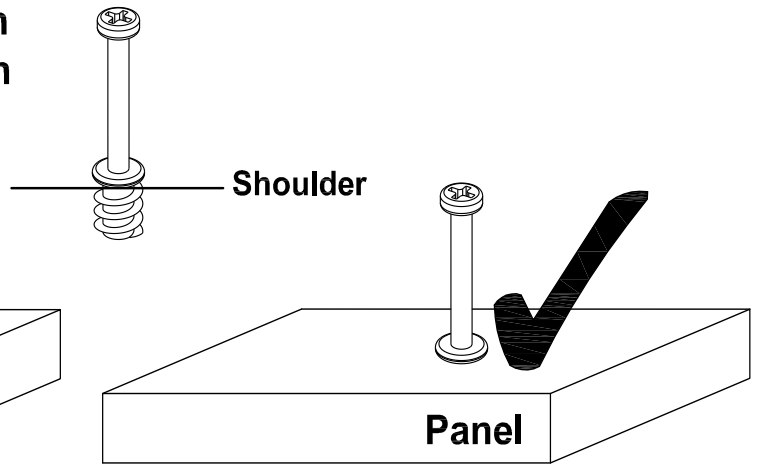
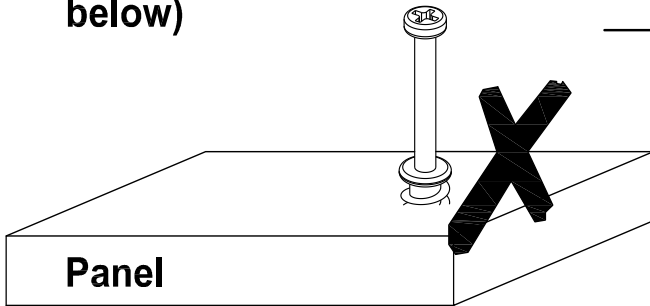
WHEN FITTING CAM-LOCK  
ENSURE STARTING POSITION IS CORRECT  
BEFORE YOU INSERT CONNECTING CAM BOLT  
TURN CLOCKWISE UNTIL SECURE



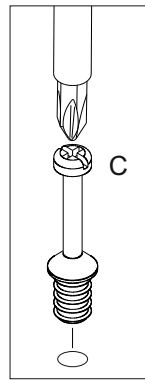
Cam bolt head needs to be in centre


## CAMBOLT

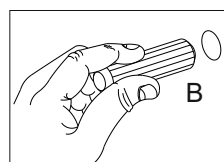
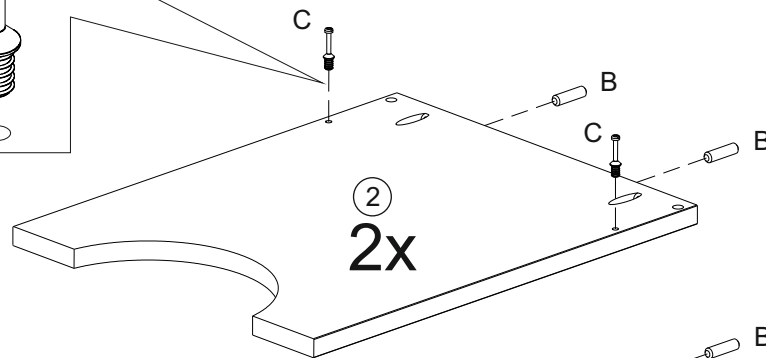
Tighten until shoulder is flush with panel. Do not overtighten or undertighten (see example below)


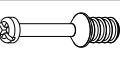


## PRE-ASSEMBLY



 Please assemble on a clean soft surface to avoid damage.

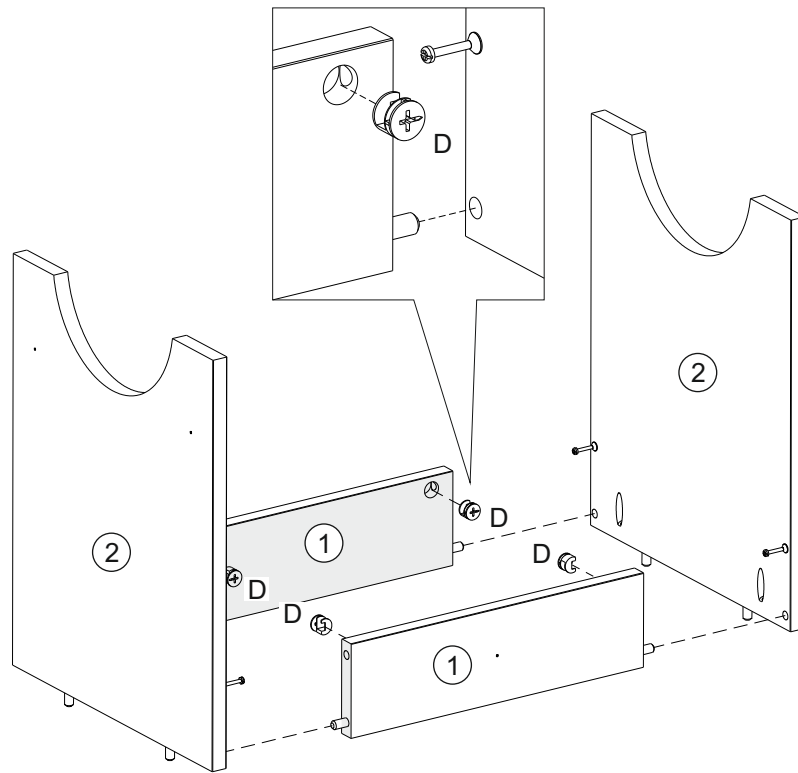


B	 Ø 8 x 30mm	08
C		04

01



Please assemble on  
a clean soft surface  
to avoid damage.



D

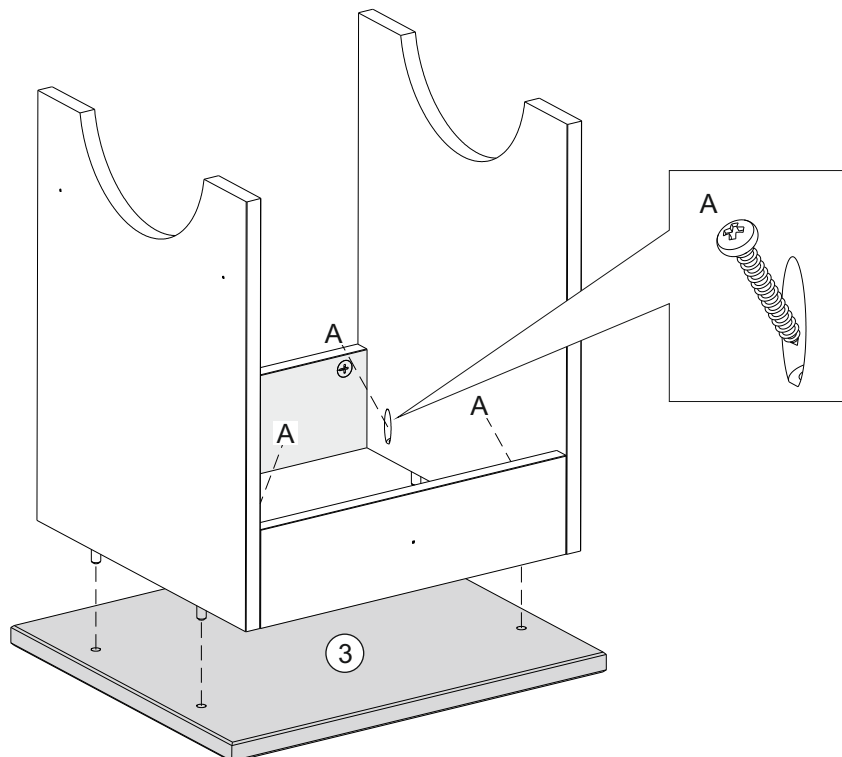


04

02



Please assemble on  
a clean soft surface  
to avoid damage.

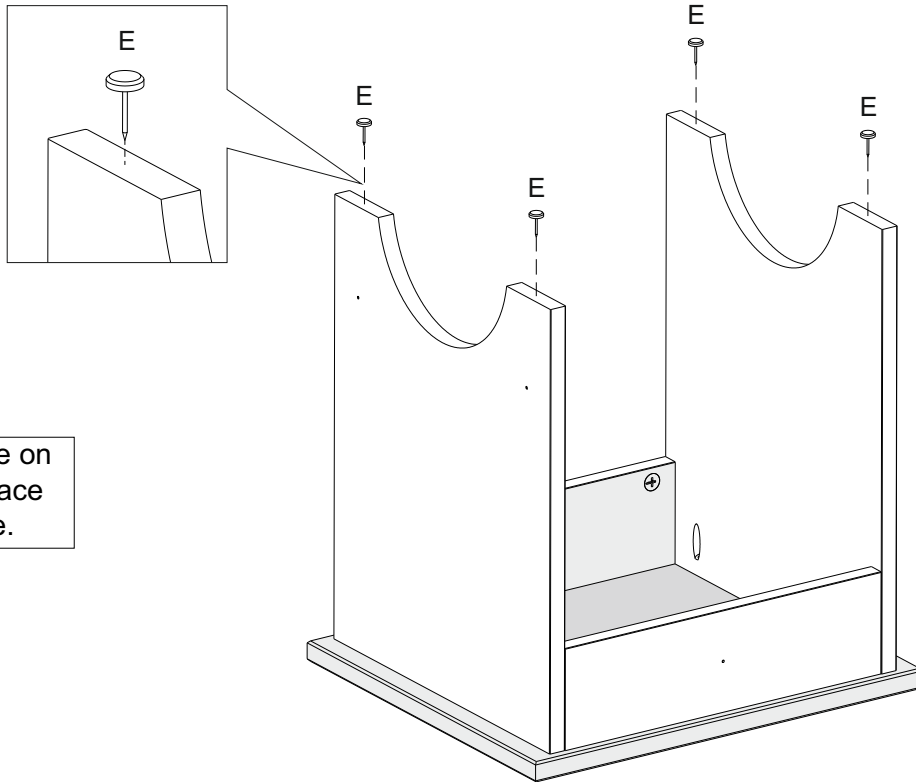


A

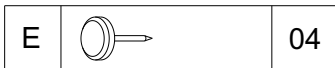


04

03



Please assemble on a clean soft surface to avoid damage.



04

