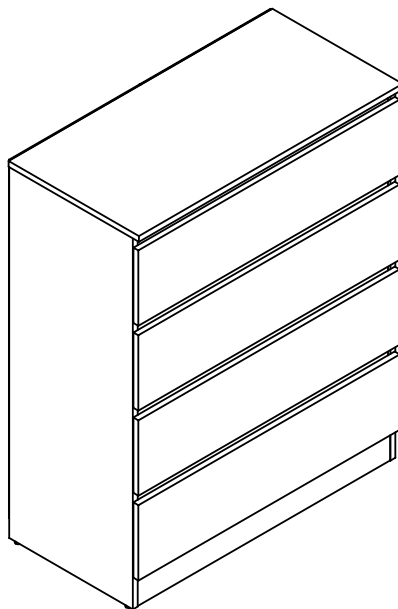


# BLACK MALVERN 4 DRAWER CHEST ASSEMBLY INSTRUCTIONS



## FOR DOMESTIC USE ONLY

### IMPORTANT

PLEASE READ BEFORE YOU CONTINUE FURTHER

THE PRODUCT YOU HAVE PURCHASED WILL GIVE YOU MANY YEARS OF SERVICE IF YOU FOLLOW THE GUIDELINES FOR ITS SAFE ASSEMBLY AND PERIODIC MAINTENANCE AND CLEANING.

ASSEMBLE ON A SOFT CLEAN SURFACE.

DO NOT USE ANY TOOLS OTHER THAN THOSE SHOWN.

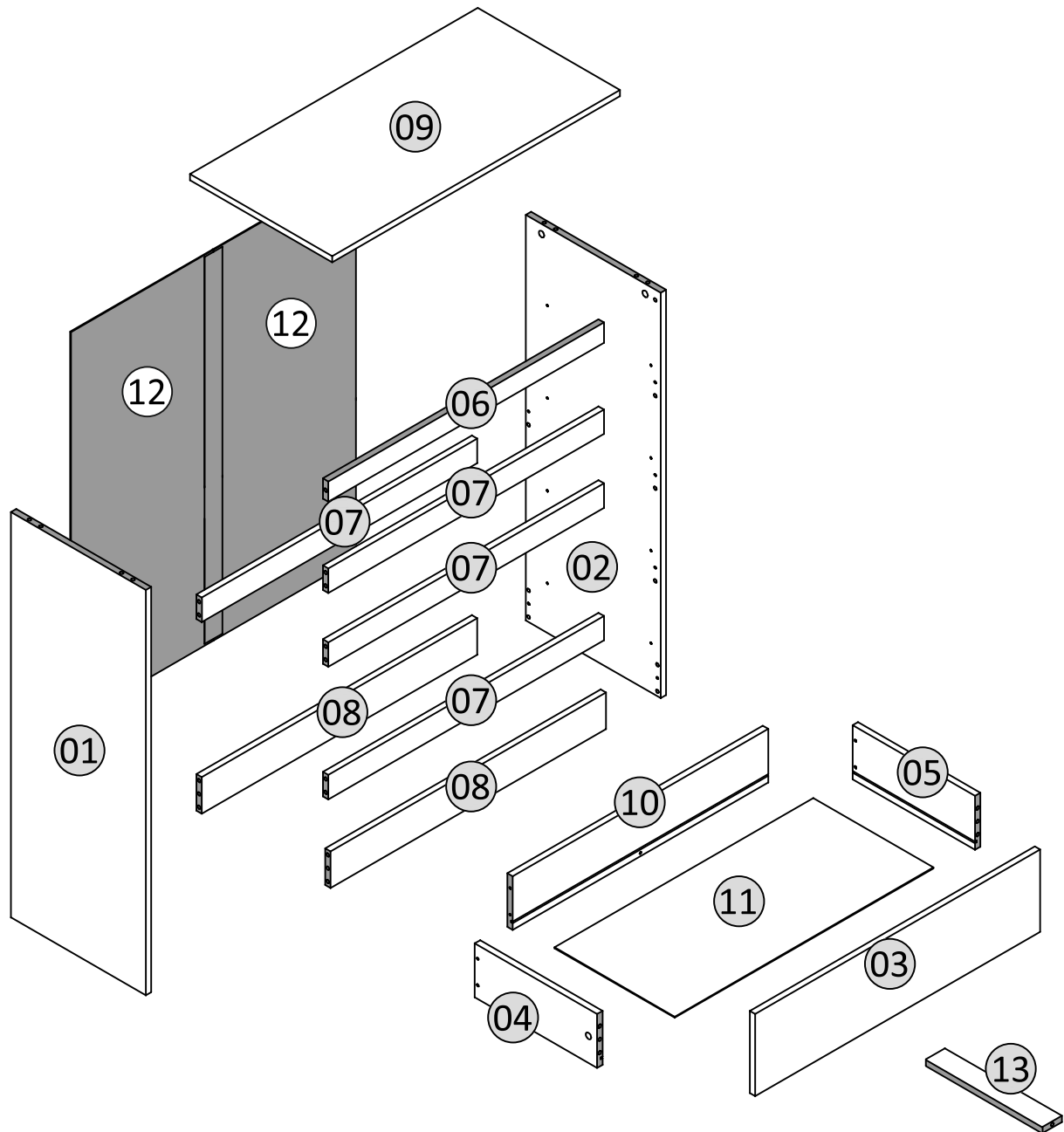
ANY SPANNERS OR ALLEN KEYS REQUIRED ARE INCLUDED WITH THE FITTING KIT.

DO NOT FOR ANY REASON USE A POWER TOOL TO ASSEMBLE THIS PRODUCT. ITS USE WILL INVALIDATE ANY CLAIM YOU MAY HAVE AND COULD MAKE THIS PRODUCT UNSAFE.

DEPENDING ON THE AMOUNT OF USE THIS PRODUCT RECEIVES. IT MAY BE NECESSARY TO TIGHTEN UP THE FIXINGS FROM TIME TO TIME. THIS IS COMPLETELY NORMAL FOR ANY FLAT PACK FURNITURE. DO NOT OVERTIGHTEN FIXINGS.

FOR CLEANING, YOU MAY USE A DAMP CLOTH (NOT WET). DO NOT USE POLISH, DETERGENT OR CHEMICAL CLEANERS.

THIS SURFACE OF THIS ITEM IS NOT HEAT RESISTANT. ALWAYS USE A PLACE MAT UNDER HOT OR COLD ITEMS TO PREVENT MARKING.



## PART LIST

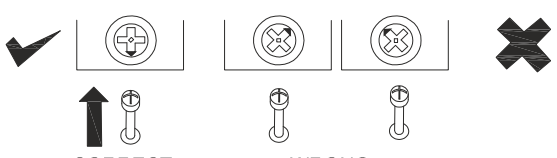
<b>Part Number</b>	<b>Part Code</b>	<b>Part Description</b>	<b>Quantity</b>	<b>Carton</b>
01	S100-102-134-ZF1-01	Left Panel	1	1/2
02	S100-102-134-ZF1-02	Right Panel	1	1/2
03	S100-102-134-ZF1-03	Drawer Front	4	1/2
04	S100-102-134-ZF1-04	Drawer Left Panel	4	2/2
05	S100-102-134-ZF1-05	Drawer Right Panel	4	2/2
06	S100-102-134-ZF1-06	Top Support Panel	1	2/2
07	S100-102-134-ZF1-07	Centre Support Panel	4	2/2
08	S100-102-134-ZF1-08	Bottom Support Panel	2	2/2
09	S100-102-134-ZF1-09	Top Panel	1	1/2
10	S100-102-134-ZF1-10	Drawer Back Panel	4	2/2
11	S100-102-134-ZF1-11	Drawer Bottom Panel	4	1/2
12	S100-102-134-ZF1-12	Back Panel	2	1/2
13	S100-102-134-ZF1-13	Drawer Support Panel	4	1/2

# HARDWARE LIST

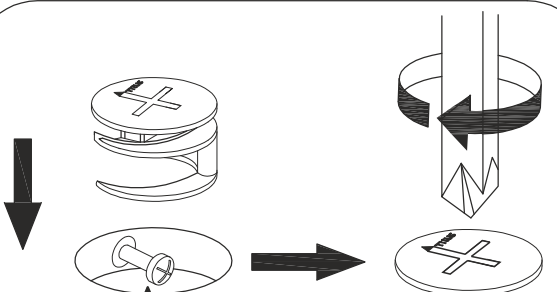
No.	Part Name		Qty
A	Cam Nut		28
B	Cam Bolt		28
C	M8 x 25mm Wood Dowel		38
D	38mm Chipboard Screw		20
E	14mm Chipboard Screw		44
F	14" Drawer Slide		4 sets
G	PVC L Braket		1
H	Plastic Foot		4
J	18mm Panel Pin		45
K	Wall Fittings (4 x 20mm x 1)		1

## TIPS FOR FITTING CAM-LOCKS

WHEN FITTING THE CAM-LOCK  
ENSURE STARTING POSITION IS CORRECT  
BEFORE YOU INSERT CONNECTING CAM BOLT  
TURN CLOCKWISE UNTIL SECURE



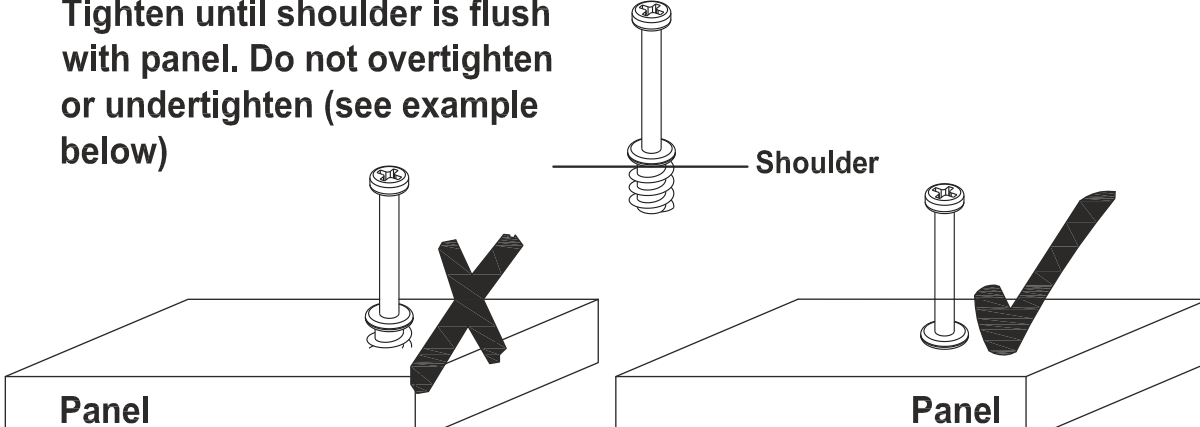
**CORRECT**      **WRONG**



Cam bolt head needs to be in centre

### CAMBOLT

Tighten until shoulder is flush with panel. Do not overtighten or undertighten (see example below)



Shoulder

Panel

Panel

# STEP 1

## PARTS REQUIRED

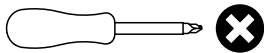
01 - LEFT PANEL x1

## HARDWARE REQUIRED

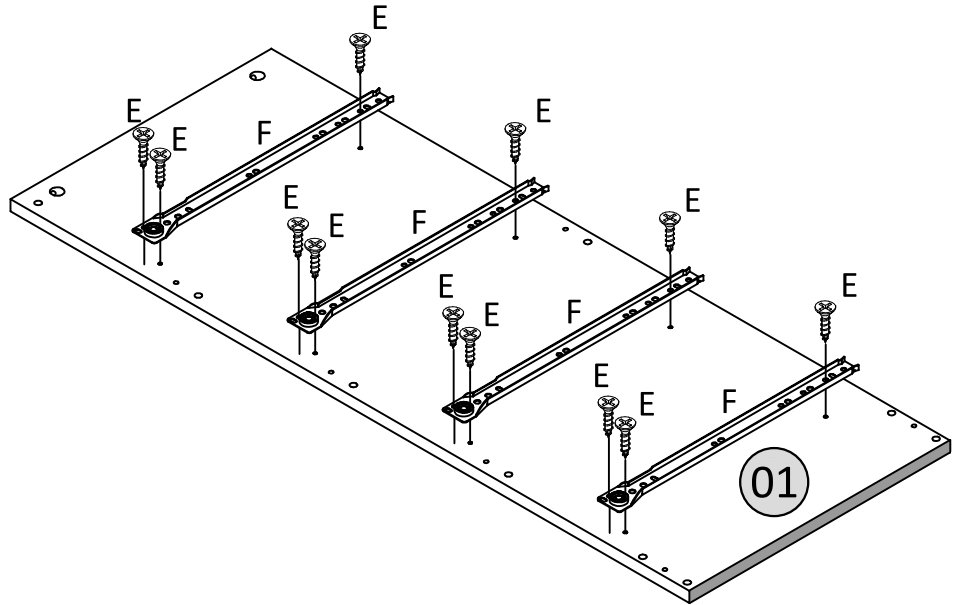
E  12

F  04

## TOOLS REQUIRED



### To Assemble the Drawer Slide, Please Follow Step as Below



# STEP 2

## PARTS REQUIRED

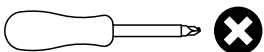
02 - RIGHT PANEL x1

## HARDWARE REQUIRED

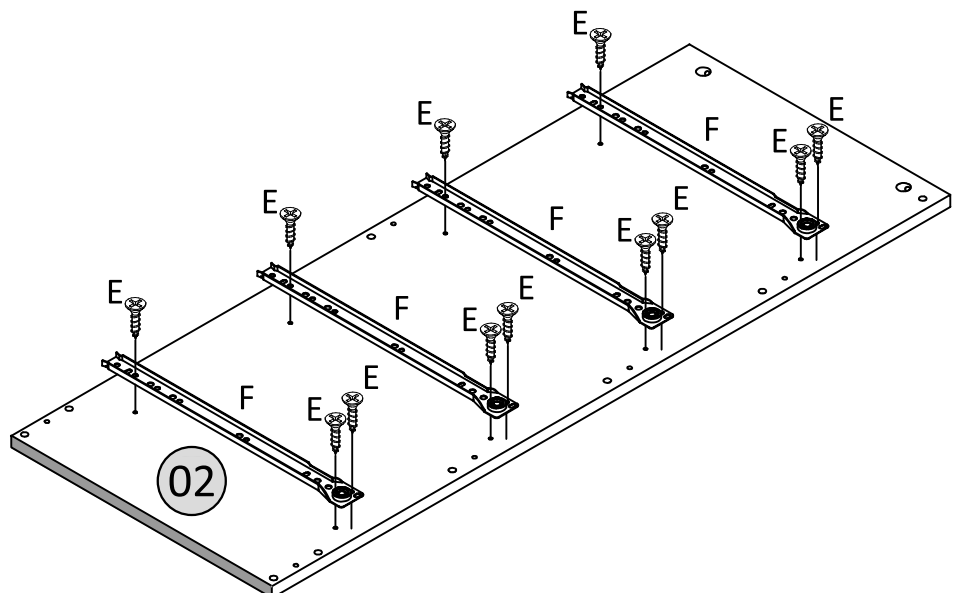
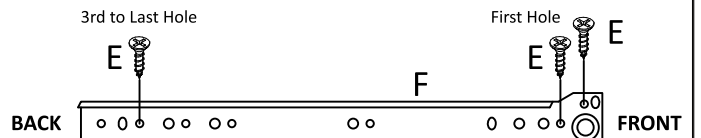
E  12

F  04

## TOOLS REQUIRED



### To Assemble the Drawer Slide, Please Follow Step as Below


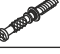



# STEP 3

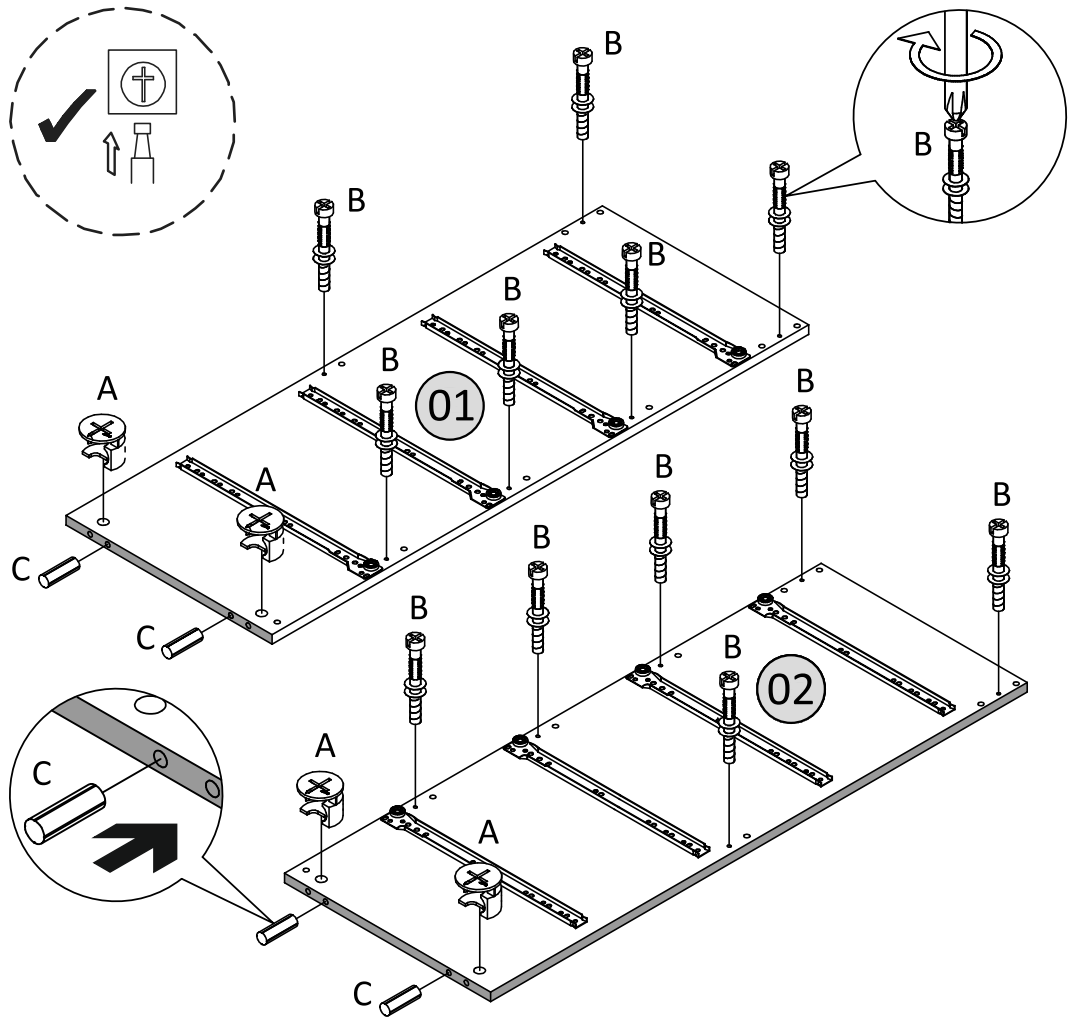
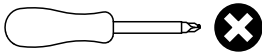
## PARTS REQUIRED

01 - LEFT PANEL	x1
02 - RIGHT PANEL	x1

## HARDWARE REQUIRED

A		04
B		12
C		04

## TOOLS REQUIRED






# STEP 4

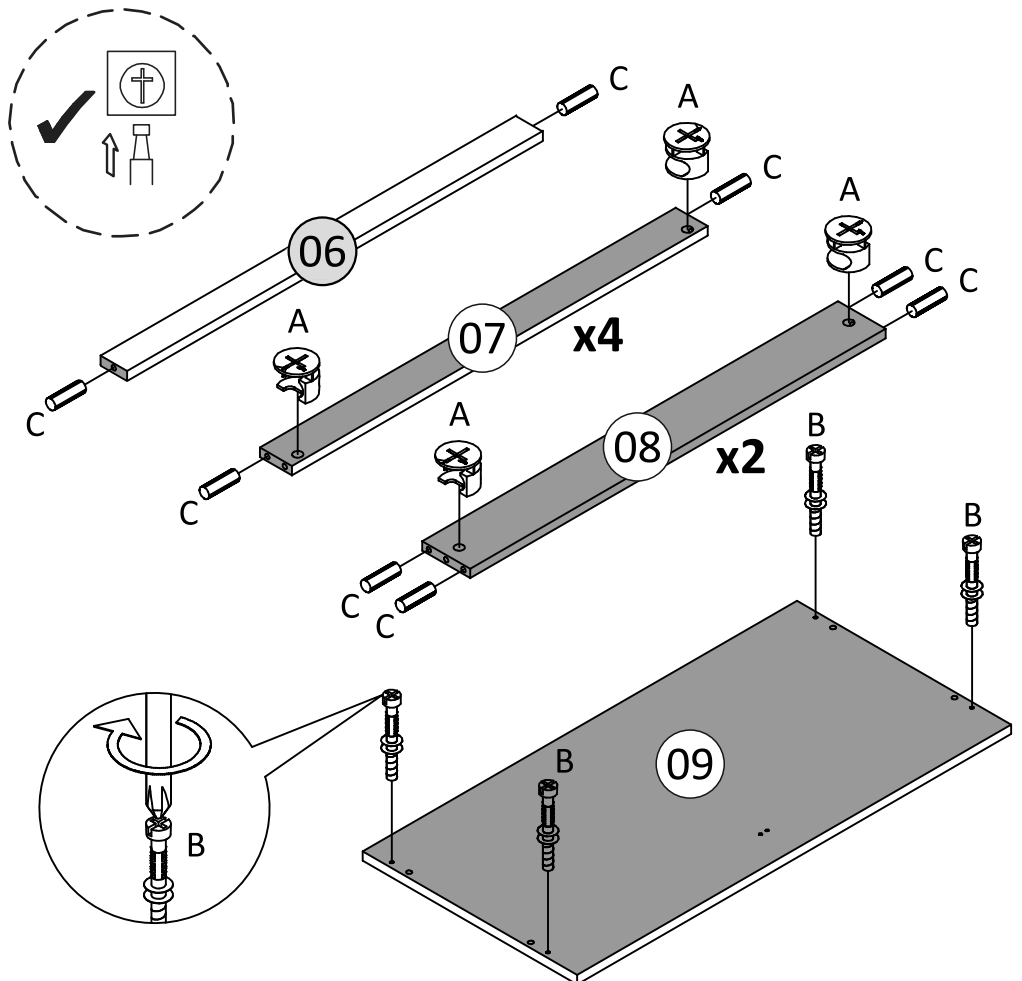
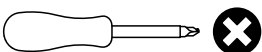
## PARTS REQUIRED

06 - TOP SUPPORT PANEL	x1
07 - CENTRE SUPPORT PANEL	x4
08 - BOTTOM SUPPORT PANEL	x2
09 - TOP PANEL	x1

## HARDWARE REQUIRED

A		12
B		04
C		18

## TOOLS REQUIRED



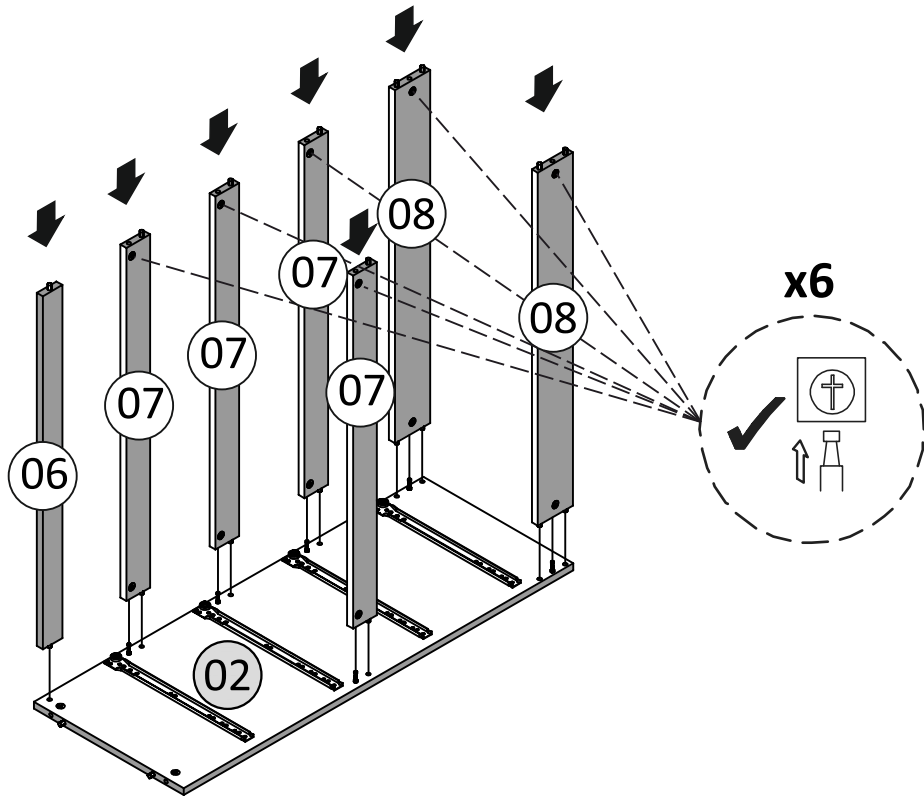
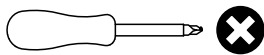
# STEP 5

## PARTS REQUIRED

- 02 - RIGHT PANEL x1
- 06 - TOP SUPPORT PANEL x1
- 07 - CENTRE SUPPORT PANEL x4
- 08 - BOTTOM SUPPORT PANEL x2

## HARDWARE REQUIRED

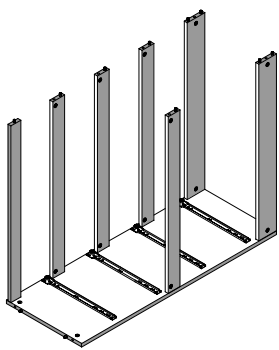
## TOOLS REQUIRED



# STEP 6

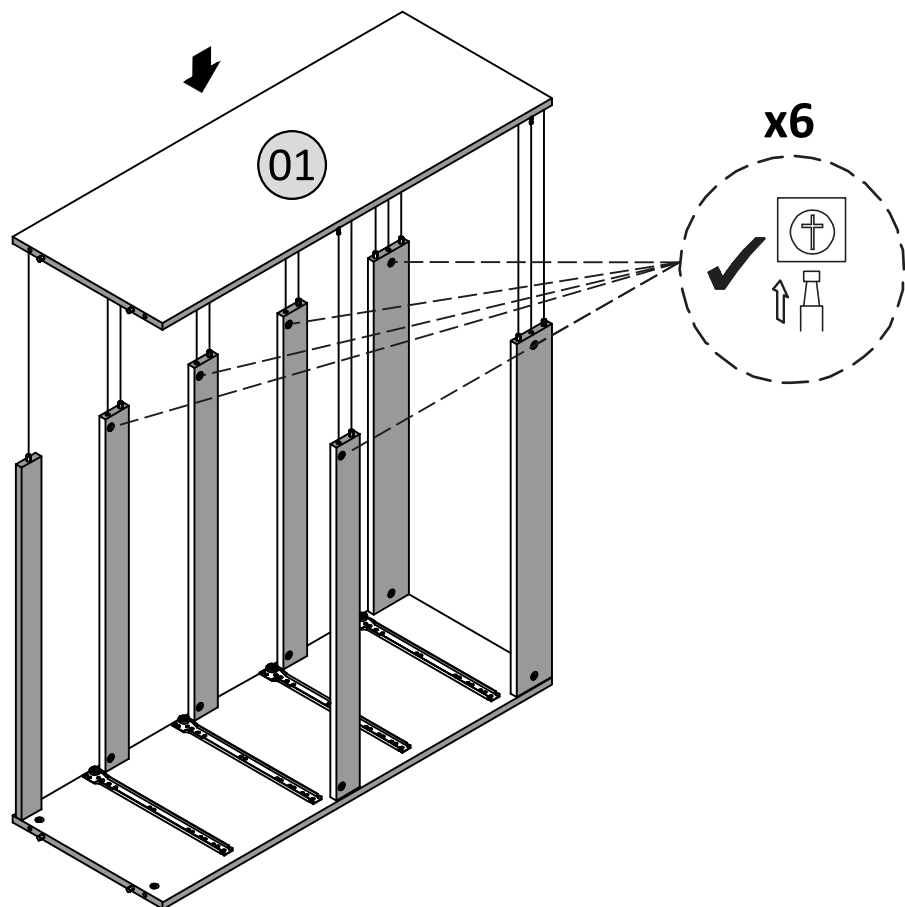
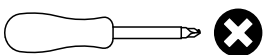
## PARTS REQUIRED

- 01 - LEFT PANEL x1



## HARDWARE REQUIRED

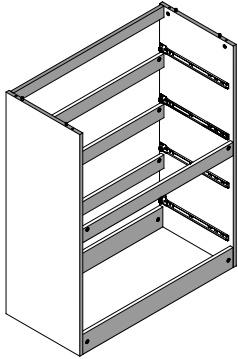
## TOOLS REQUIRED



# STEP 7

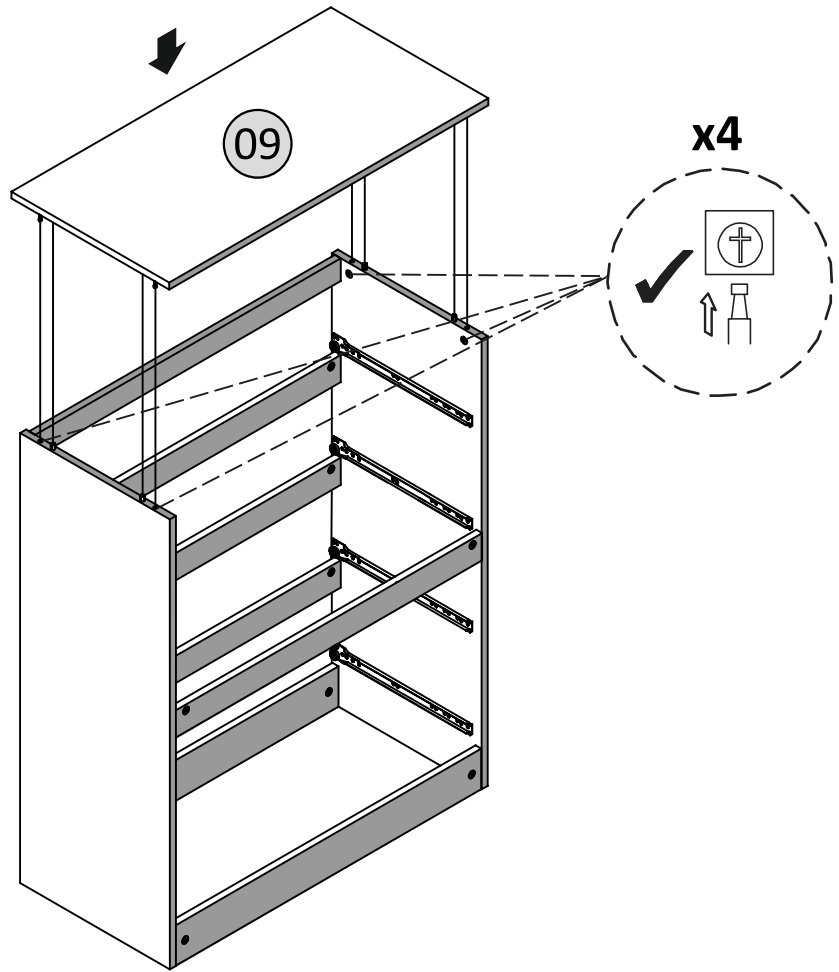
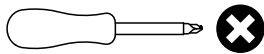
## PARTS REQUIRED

09 - TOP PANEL x1



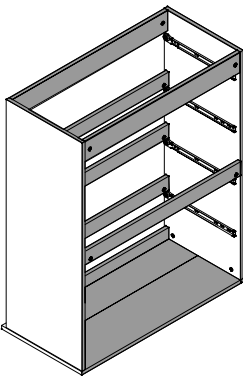
## HARDWARE REQUIRED

## TOOLS REQUIRED




# STEP 8

## PARTS REQUIRED

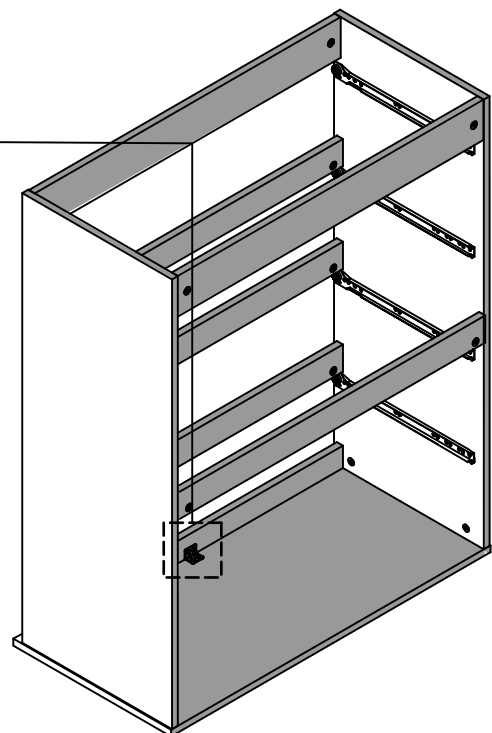
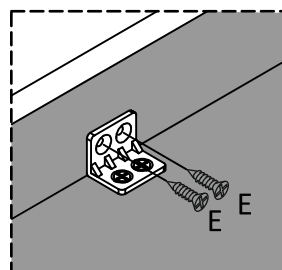
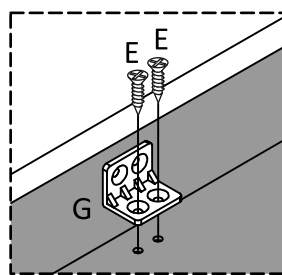
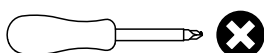


## HARDWARE REQUIRED

E  04

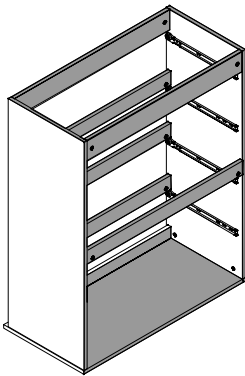
G  01

## TOOLS REQUIRED



# STEP 9

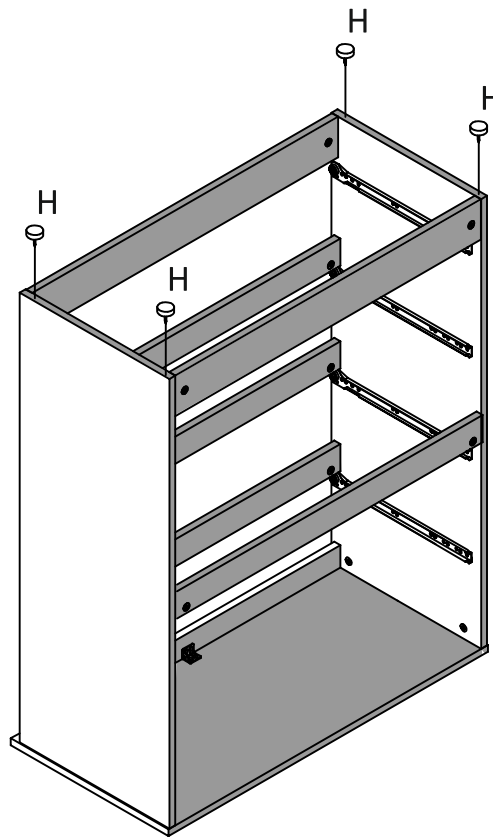
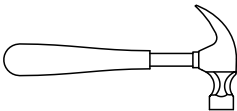
**PARTS REQUIRED**



**HARDWARE REQUIRED**

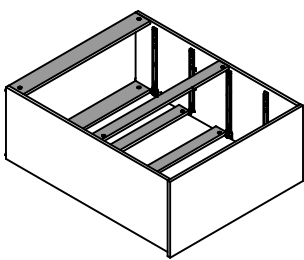


**TOOLS REQUIRED**

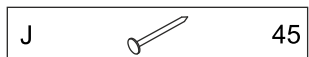


# STEP 10

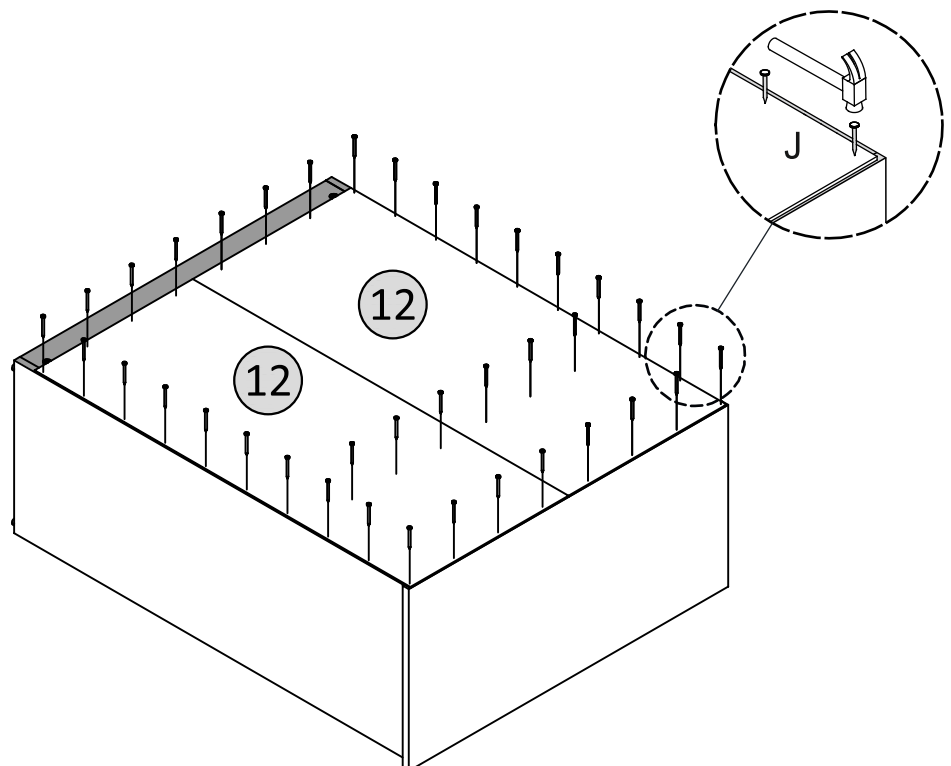
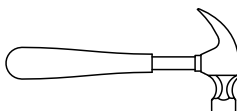
**PARTS REQUIRED**



**HARDWARE REQUIRED**



**TOOLS REQUIRED**



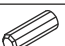


# STEP 11

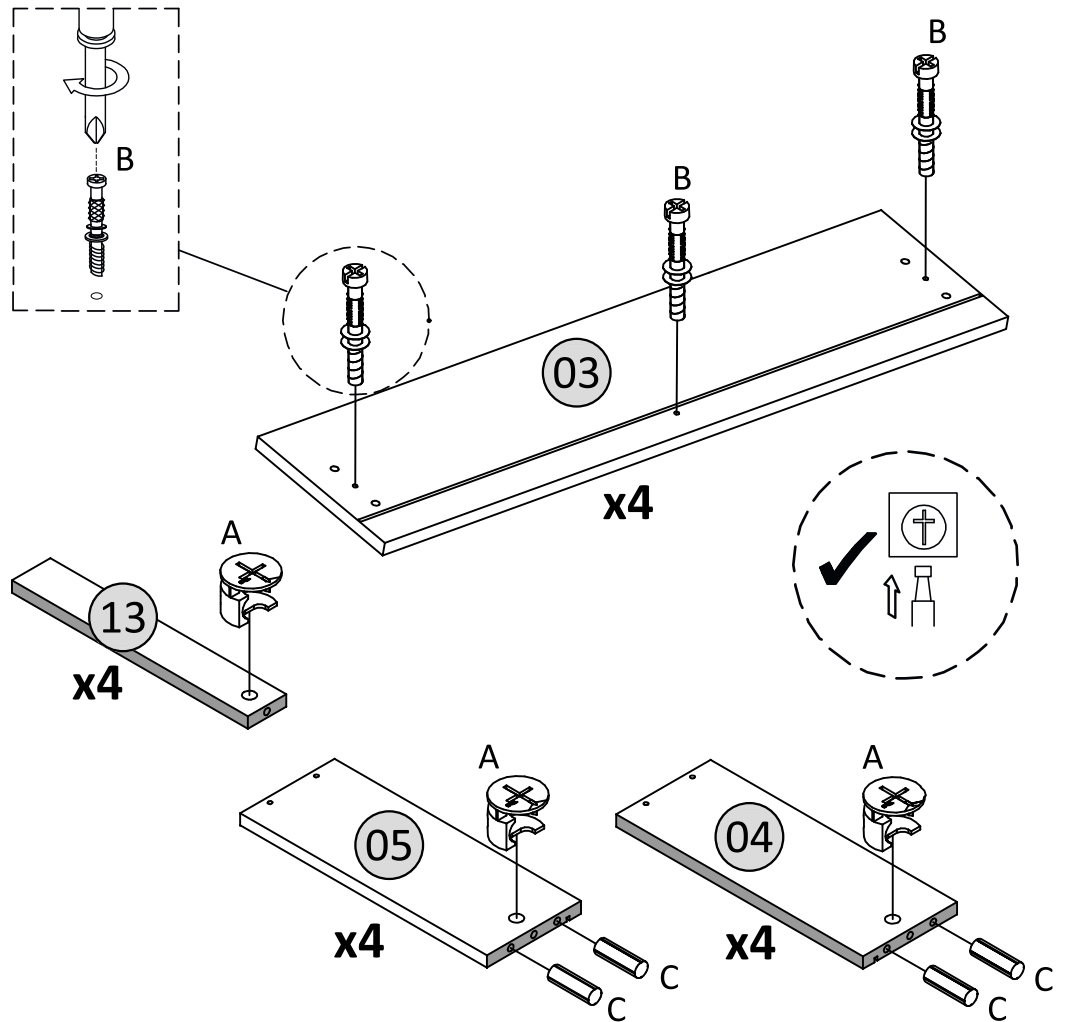
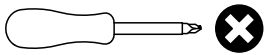
## PARTS REQUIRED

03 - DRAWER FRONT	x4
04 - DRAWER LEFT PANEL	x4
05 - DRAWER RIGHT PANEL	x4
13- DRAWER SUPPORT PANEL x4	

## HARDWARE REQUIRED

A		12
B		12
C		16

## TOOLS REQUIRED



# STEP 12

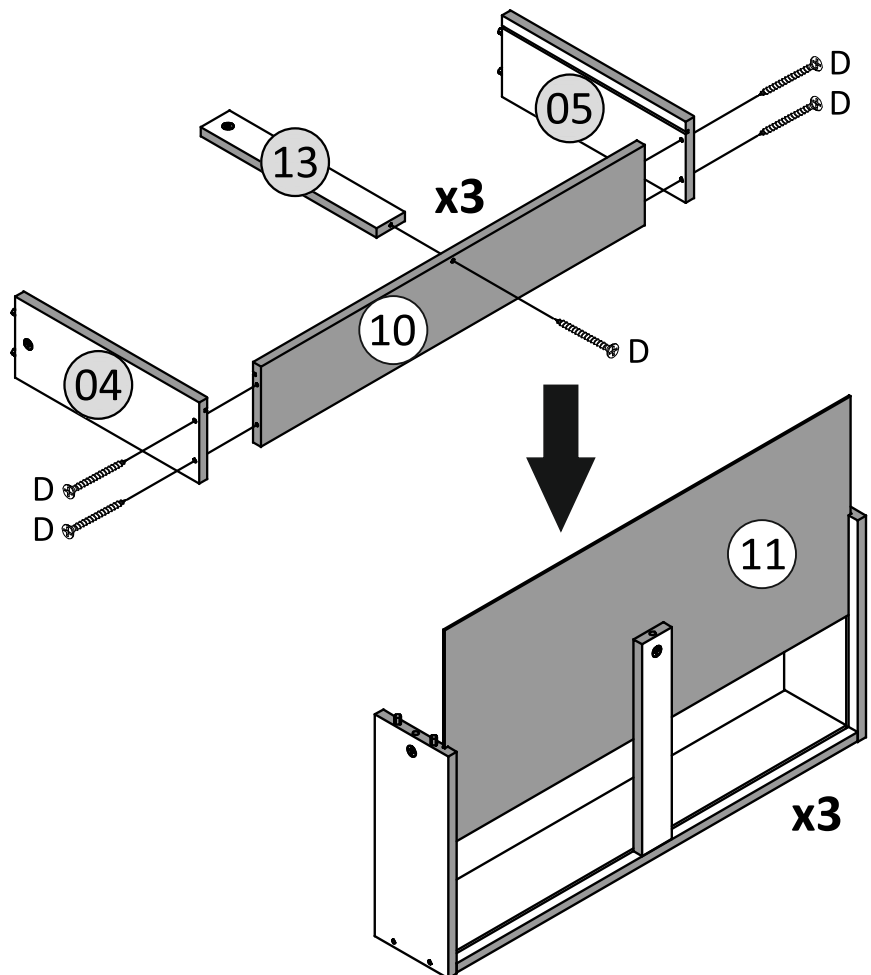
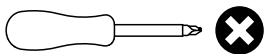
## PARTS REQUIRED

04 - DRAWER LEFT PANEL	x4
05 - DRAWER RIGHT PANEL	x4
10- DRAWER BACK PANEL	x4
11- DRAWER BOTTOM PANEL	x4
13- DRAWER SUPPORT PANEL x4	

## HARDWARE REQUIRED

D		20
---	---	----

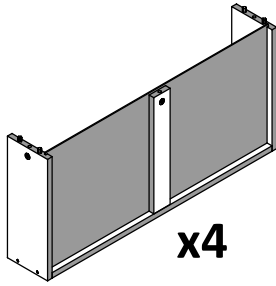
## TOOLS REQUIRED



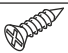
# STEP 13

**PARTS REQUIRED**

03 - DRAWER FRONT x4

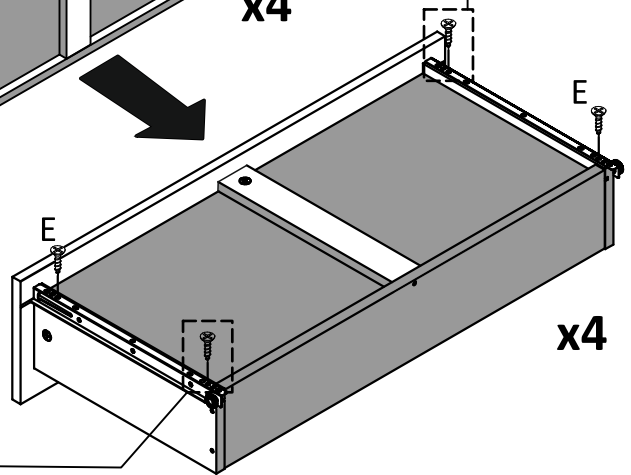
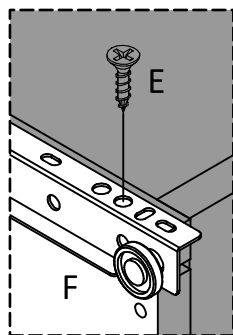
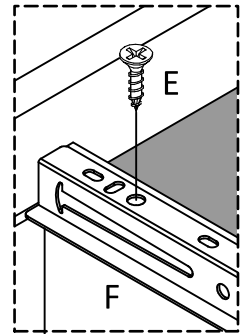
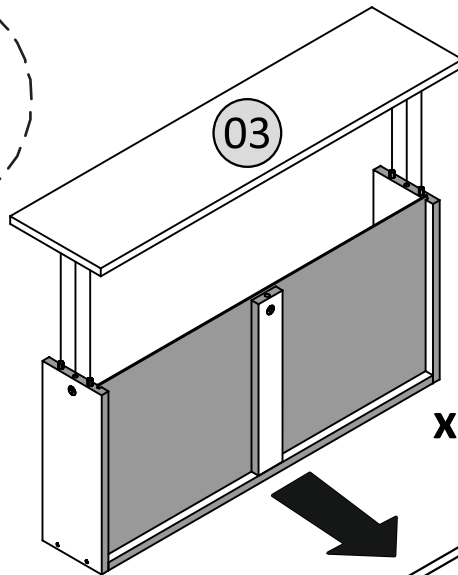
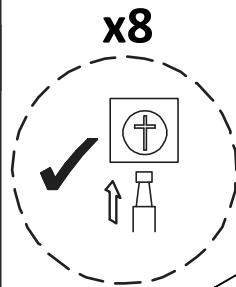
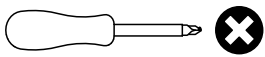


**HARDWARE REQUIRED**

E  16

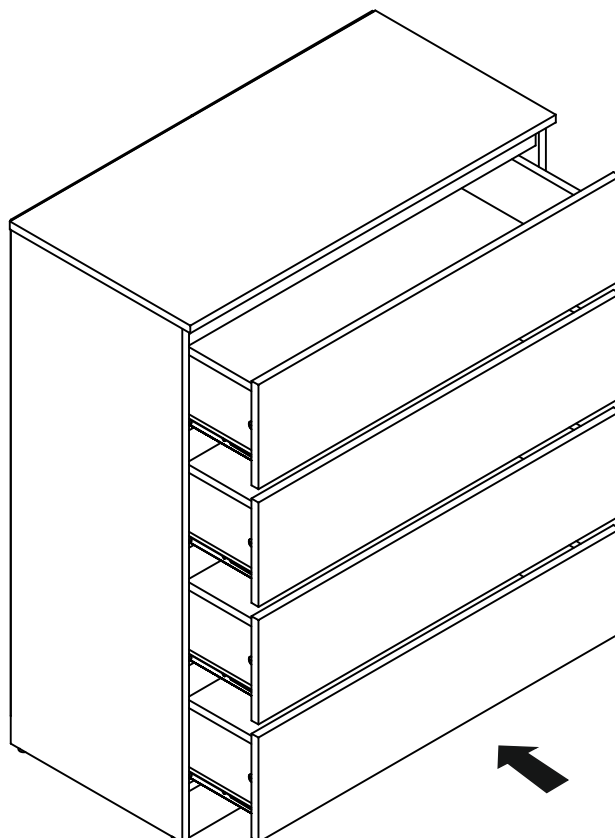
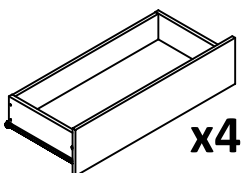
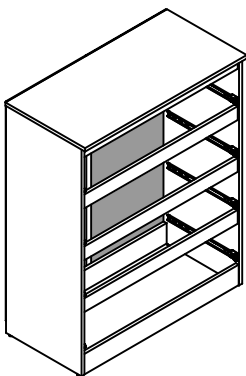
F  04

**TOOLS REQUIRED**



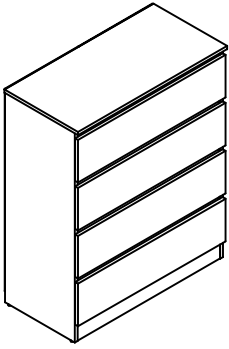
# STEP 14

**PARTS REQUIRED**



# STEP 15

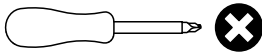
## PARTS REQUIRED



## HARDWARE REQUIRED

K  01

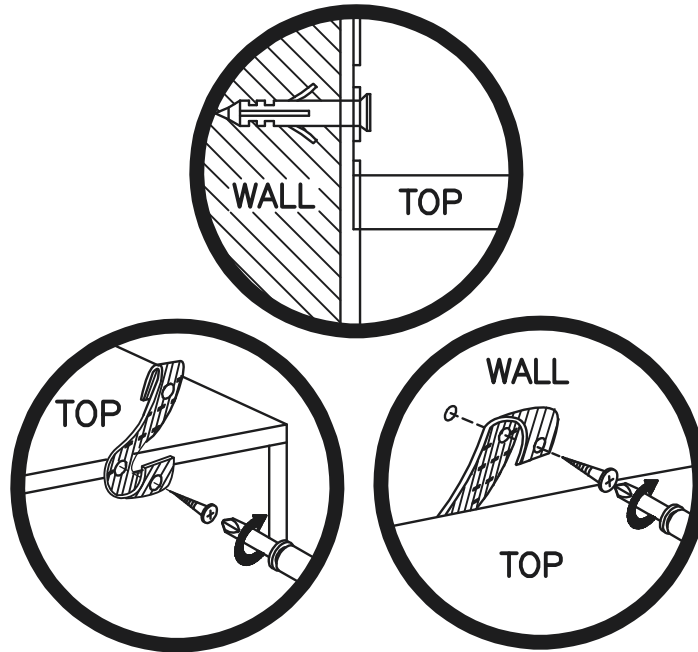
## TOOLS REQUIRED



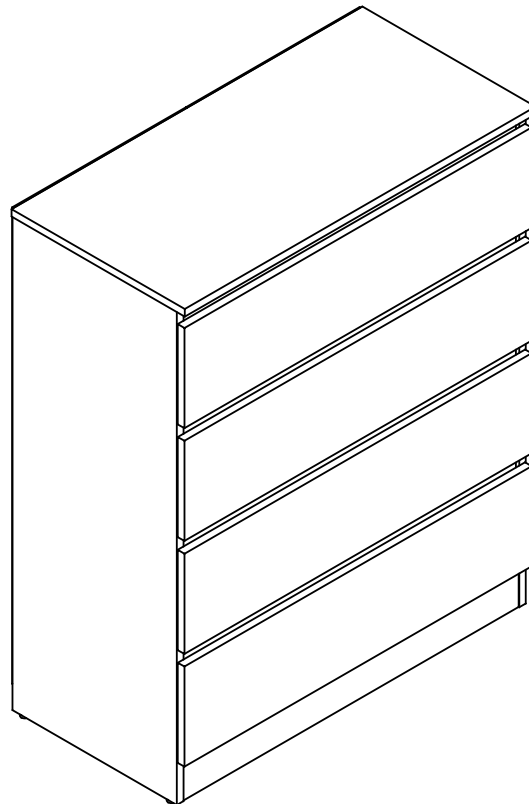
# WARNING

**Serious or fatal injuries can occur from furniture tipping over. To prevent the furniture from tipping over we recommend that it is permanently fixed to the wall.**

Wall fixings are not supplied with this product as different wall materials require different types of fixing devices. Please make sure you use fixings suitable for the walls in your home.



# STEP 16



# FINISH