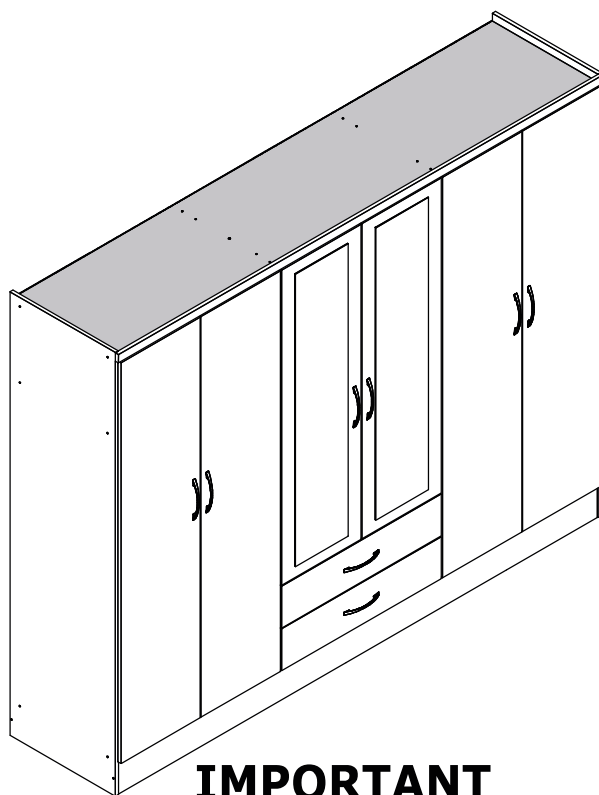


# NEVADA 6 DOOR 2 DRAWER WARDROBE ASSEMBLY INSTRUCTIONS



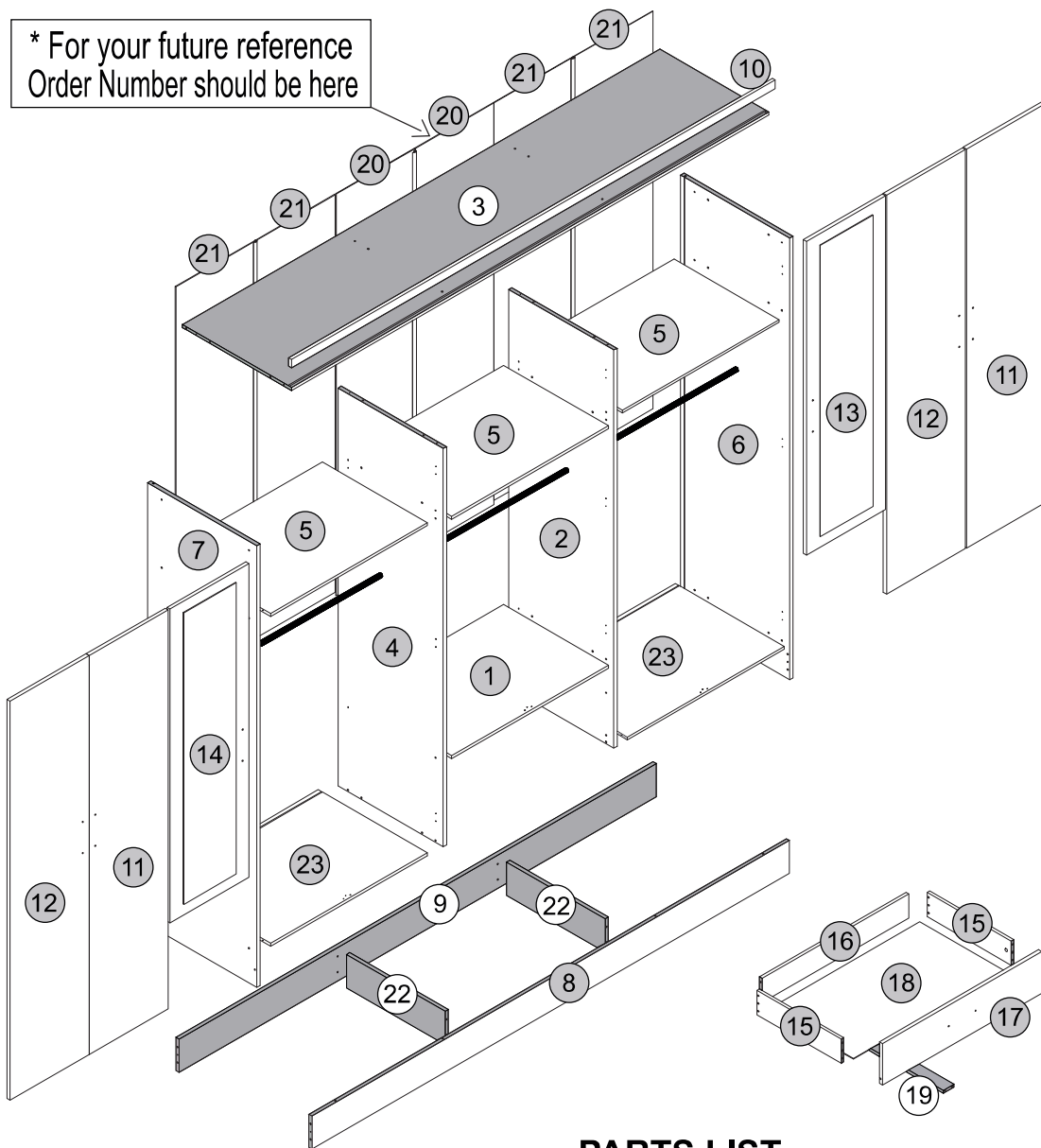
## **IMPORTANT FOR DOMESTIC USE ONLY**

**PLEASE READ BEFORE YOU CONTINUE FURTHER**

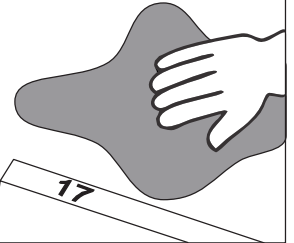
## **CARE AND MAINTENANCE**

- After unpacking this product please keep the original packaging in case it needs to be returned for any reason.
- Please ensure all fittings and parts are present before commencing with assembly.
  - Never drag or push products as this could cause damage to the joints making it inferior.
  - We strongly recommend that you keep children away from your work area.
  - We recommend that you lay a blanket or sheet on the floor to avoid damage to both your floor and the product.
  - Assemble this product as close to its final position as possible.
  - Do not place this product next to a radiator or in direct sunlight.
  - Do not drag or push items across your high gloss furniture as this may cause the surface to scratch
  - Wood is a natural product and may expand if subjected to damp and may shrink or crack if subjected to heat. Therefore it is recommended that room temperature is maintained, with no sudden temperature fluctuations.
  - Make sure any spillage is wiped off immediately.
  - Do not place hot or chilled items directly on to the surface, use a place mat or marking will occur.
  - For general cleaning use a soft cotton or micro fibre cloth, and do not use detergents of any kind.
  - From time to time it may be necessary to tighten fittings, regular inspections should be carried out.
  - Do not place on a wet or damp floor as staining may occur to your floor.

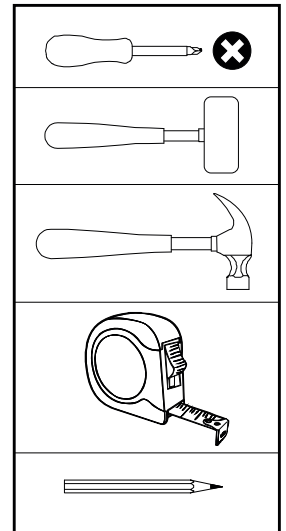
\* For your future reference  
Order Number should be here



After assembly use an alcohol based product/cleaner to erase the numbers printed on the parts that are visual.



**TOOLS REQUIRED**




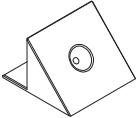
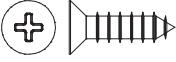
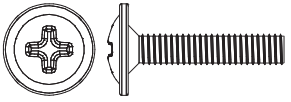
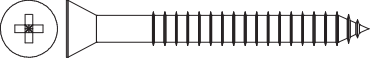



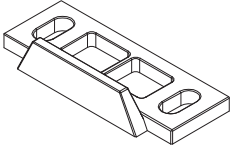
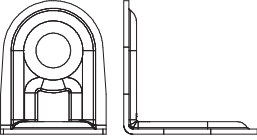

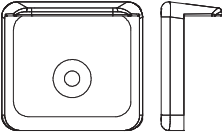
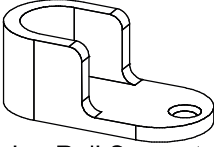

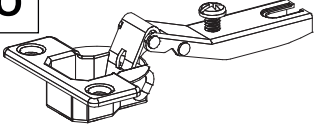
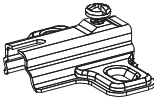
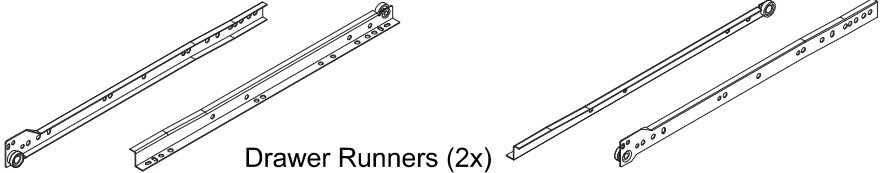




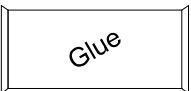
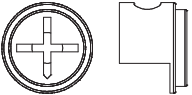
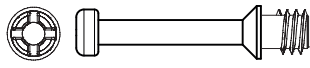
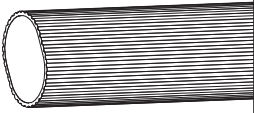
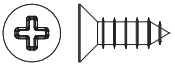
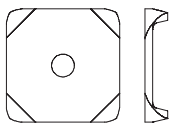
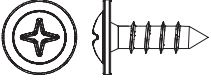

**PARTS LIST**

***Please Note:***

The below parts have all been stamped with the part number/color to help identify them during assembly.


Part Number	Part Description	Quantity	Carton
1	Shelf Over Drawer	1	2/4
2	Right Division Panel	1	1/4
3	Top Panel	1	3/4
4	Left Division Panel	1	2/4
5	Upper Panel	3	2/4
6	Right Side Panel	1	1/4
7	Left Side Panel	1	1/4
8	Front Baseboard	1	3/4
9	Back Baseboard	1	3/4
10	Frame	1	3/4
11	Right Large Door	2	4/4
12	Left Lagre Door	2	3/4
13	Right Small Door	1	4/4
14	Left Small Door	1	4/4
15	Drawer Side	4	1/4
16	Drawer Back Panel	2	1/4
17	Drawer Front	2	1/4
18	Drawer Bottom	2	2/4
19	Drawer Bottom Support Bar	2	1/4
20	Centre Back Panel	2	2/4
21	Back Panel	4	4/4
22	Central Baseboard	2	1/4
23	Base Panel	2	2/4


## FITTINGS LIST

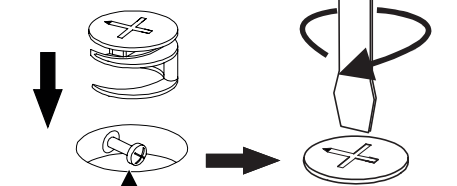
<b>A</b>  Flat Head Screw Ø6,0 x 10mm (8x) +/1	<b>B</b>  Plastic Corner Bracket (12x) +/2	<b>C</b>  Flat Head Screw Ø4,0 x 14 mm (96x) +/2	<b>D</b>  Flan Head Screw Ø4,0 x 20mm (16x) +/2
<b>E</b>  Flat Head Screw Ø3,5 x 40 mm (8x) +/1	<b>F</b>  Flat Head Screw Ø4,0 x 50 mm (40x) +/2	<b>G</b>  +/2 Dowel Ø6,0 x 30mm (72x)	
<b>H</b>  +/2 Nail 10 x 10 (74x)	<b>I</b>  Door Stopper (6x)	<b>J</b>  +/2 'L' Metallic Support (11x)	<b>K</b>  +/1 Washer (4x)
<b>L</b>  +/1 Plastic Foot (10x)	<b>M</b>  Hanging Rail Support (6x)	<b>N</b>  +/1 Flan Head Screw Ø3,5 x 30mm (2x)	<b>O</b>  Hinge (18x)
<b>P</b>  Hinge Plate (18x)	<b>Q</b>  Drawer Runners (2x)		
<b>R</b>  Back Panel Strip (3x)	<b>S</b>  Strap (2x)	<b>T</b>  Handle (8x)	<b>U</b>  +/2 Hole Plugs (16x)
<b>V</b>  Glue (3x)	<b>W</b>  +/1 Cam Nut (4x)	<b>X</b>  +/1 Cam Bolt (4x)	<b>Y</b>  Hanging Rail (3x)
<b>Z</b>  +/2 Flat Head Screw Ø4,0 x 12mm (34x)	<b>A1</b>  +/2 Back Panel Bracket (18x)	<b>B1</b>  +/2 Flan Head Screw 3,5 x14mm (6x)	<b>C1</b>  +/2 Flat Head Screw 3,5 x16mm (12x)

### TIPS FOR FITTINGS CAM-LOCKS

WHEN FITTING A CAM NUT, ENSURE STARTING POSITION IS CORRECT BEFORE YOU INSERT CONNECTING CAM BOLT TURN CLOCKWISE UNTIL SECURE

  
 ↑  
 CORRECT

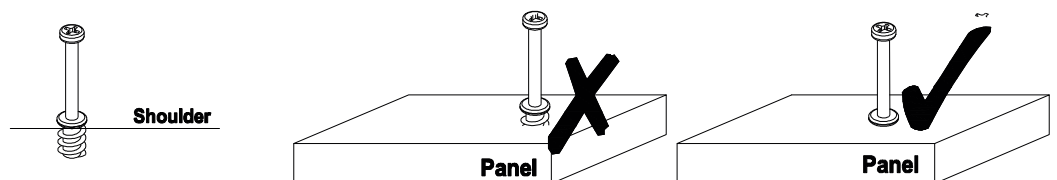
  
 ↓  
 WRONG



Cam bolt head needs to be in centre

#### CAMBOLT

Tighten until shoulder is flush with panel. Do not overtighten or undertighten (see example beside)

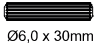



# STEP 1

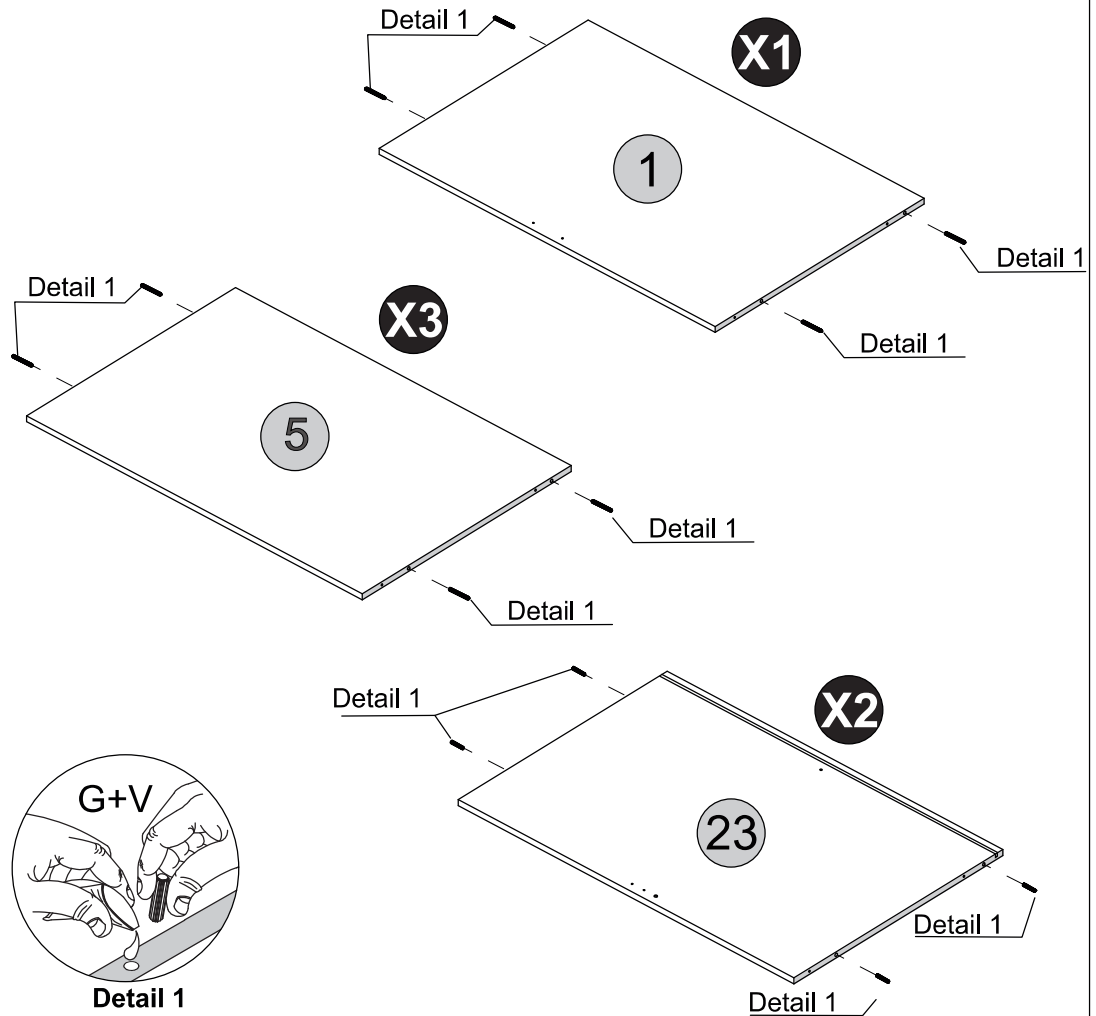
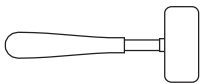
## PARTS REQUIRED

1 - SHELF OVER DRAWER	x1
5 - UPPER PANEL	x3
23 - BASE PANEL	x2

## HARDWARE REQUIRED

G	 Ø6,0 x 30mm	24
V		01

## TOOLS REQUIRED

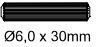


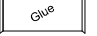


# STEP 2

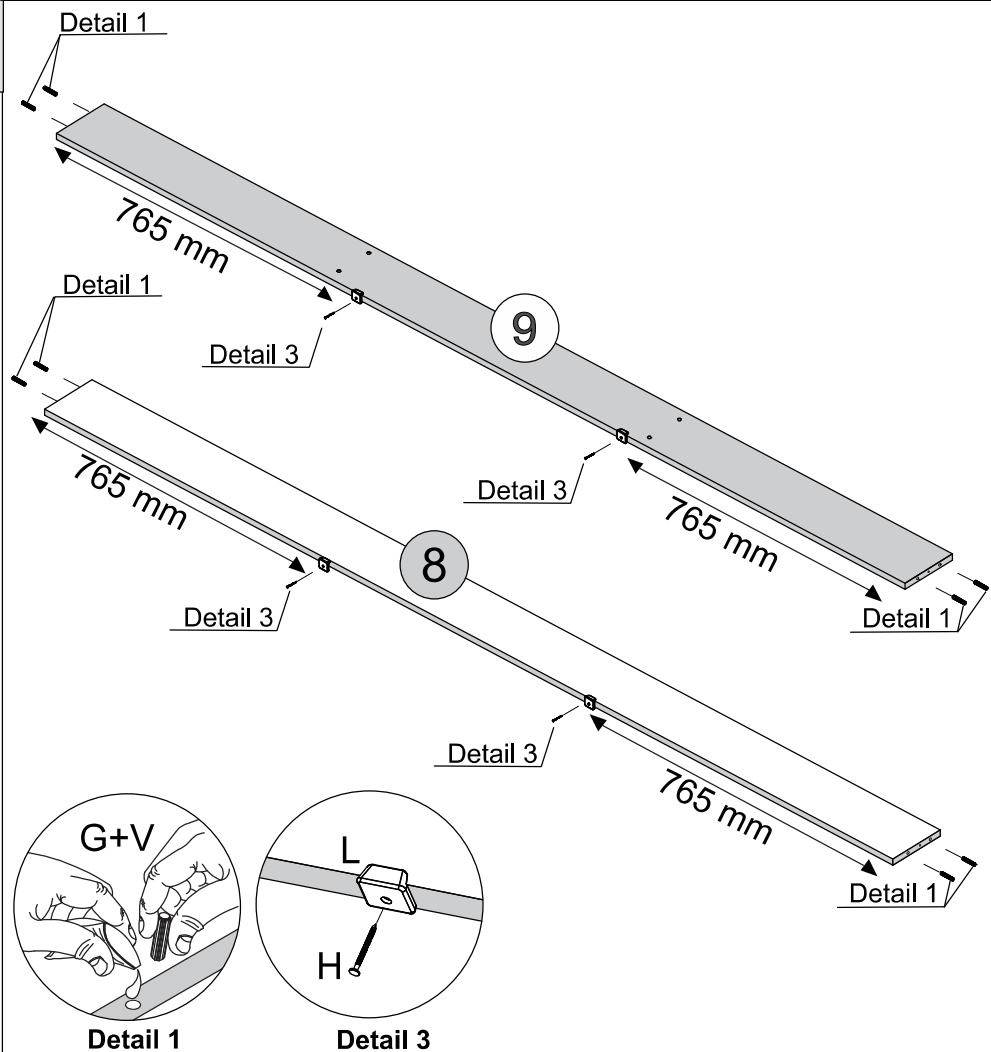
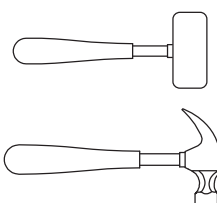
## PARTS REQUIRED

8 - FRONT BASEBOARD	x1
9 - BACK BASEBOARD	x1

## HARDWARE REQUIRED

G	 Ø6,0 x 30mm	08
H		04
L		04
V		01

## TOOLS REQUIRED

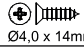


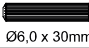
# STEP 3

## PARTS REQUIRED

4 - LEFT DIVISION PANEL x1


## HARDWARE REQUIRED

C  08  
Ø4,0 x 14mm

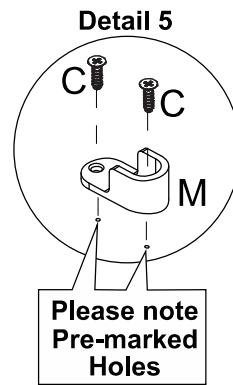
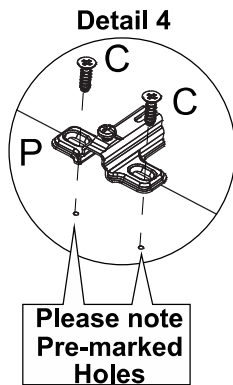
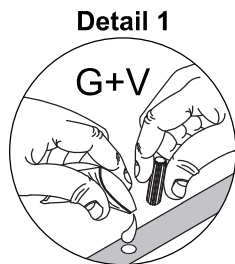
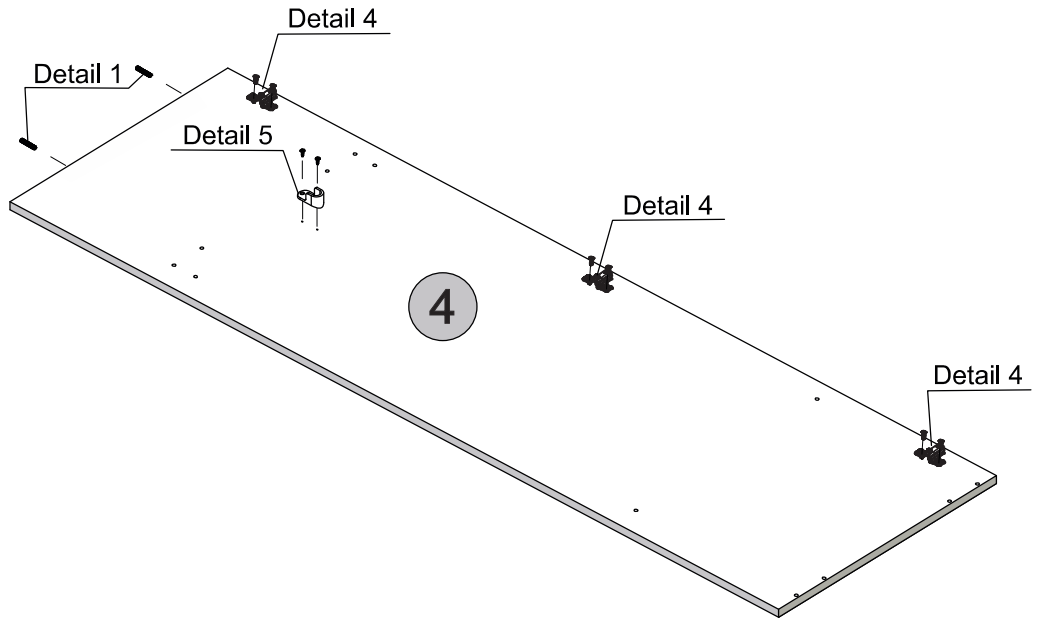
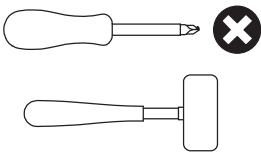
G  02  
Ø6,0 x 30mm

M  01

P  03

V  01

## TOOLS REQUIRED

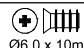


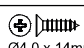
# STEP 4

## PARTS REQUIRED

4 - LEFT DIVISION PANEL x1

## HARDWARE REQUIRED

A  04  
Ø6,0 x 10mm

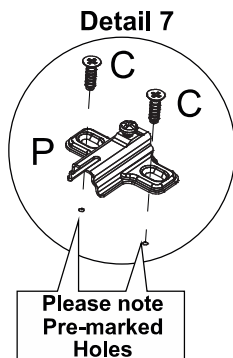
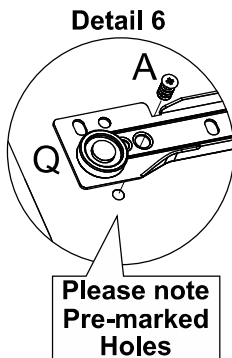
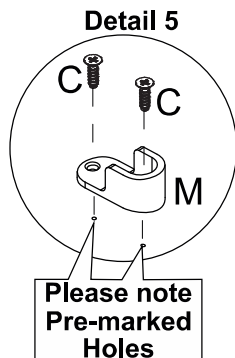
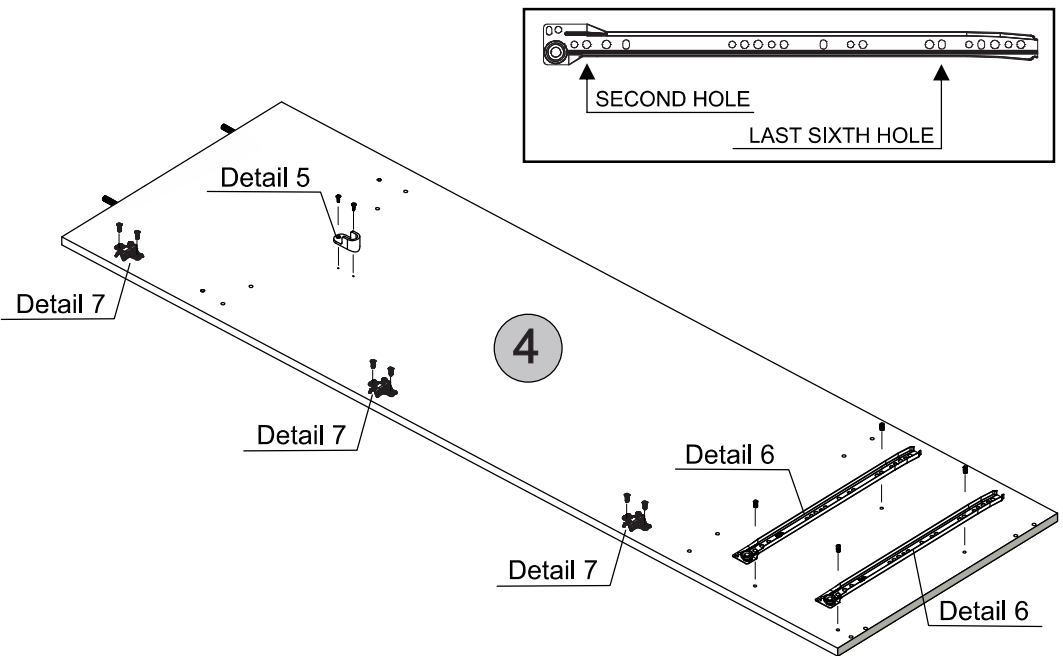
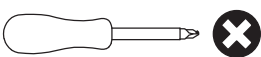
C  08  
Ø4,0 x 14mm

M  01

P  03

Q  Left 02

## TOOLS REQUIRED

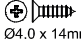


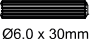
# STEP 5

## PARTS REQUIRED

2 - RIGHT DIVISION PANEL x1


## HARDWARE REQUIRED

C  08  
Ø4,0 x 14mm

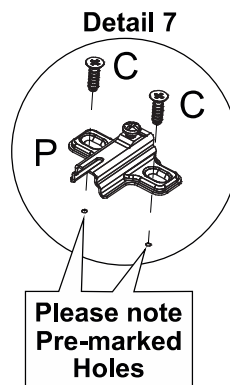
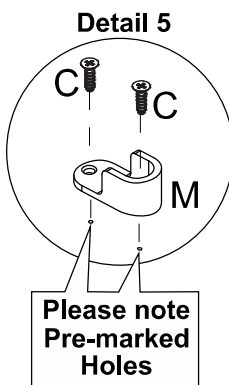
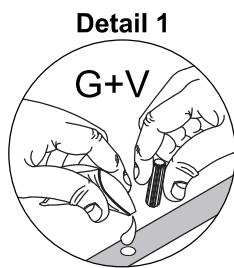
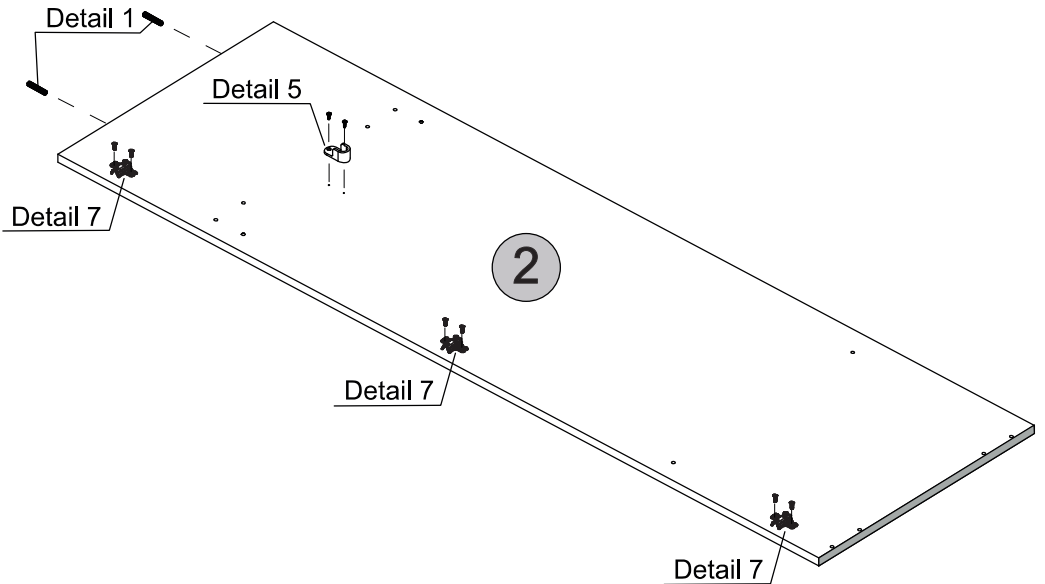
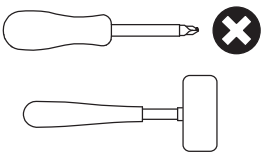
G  02  
Ø6,0 x 30mm

M  01

P  03

V  01

## TOOLS REQUIRED



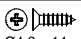
# STEP 6

## PARTS REQUIRED

2 - RIGHT DIVISION PANEL x1

## HARDWARE REQUIRED

A  04  
Ø6,0 x 10mm

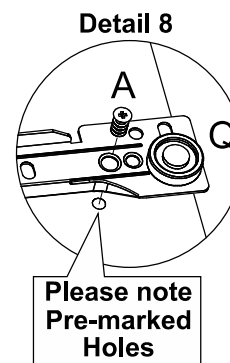
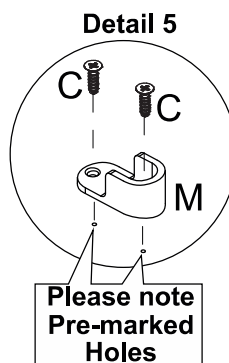
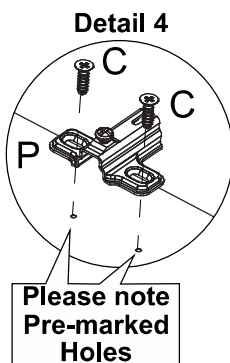
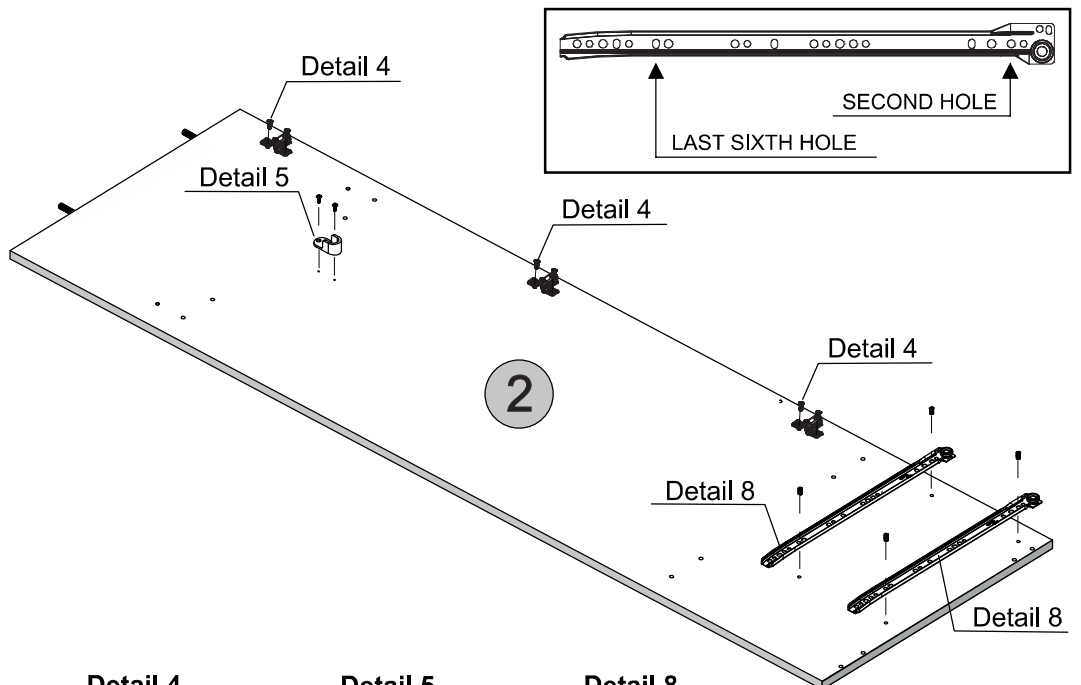
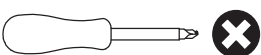
C  08  
Ø4,0 x 14mm

M  01

P  03

Q  02  
Right

## TOOLS REQUIRED

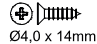


# STEP 7

## PARTS REQUIRED

6 - RIGHT SIDE PANEL x1

## HARDWARE REQUIRED

C  08  
Ø4,0 x 14mm

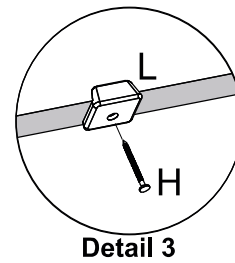
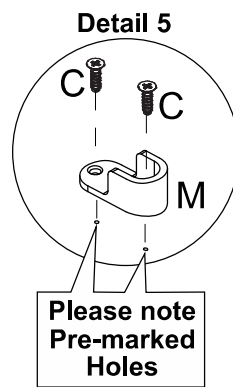
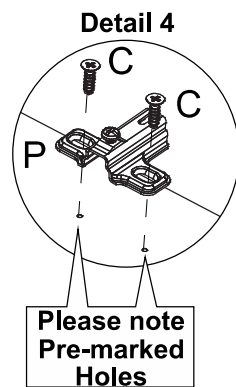
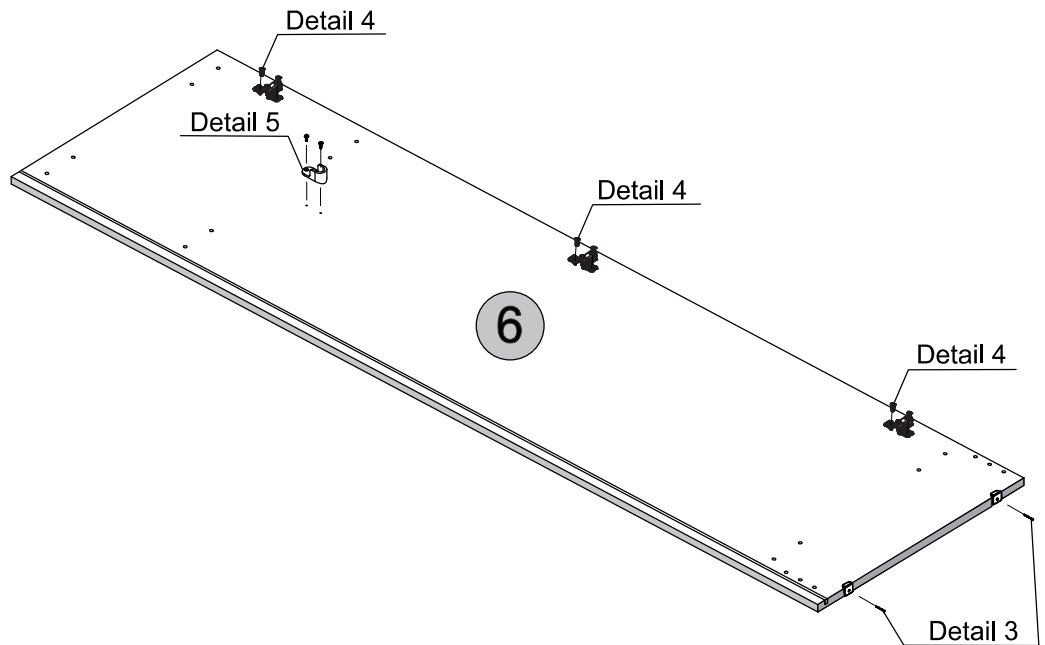
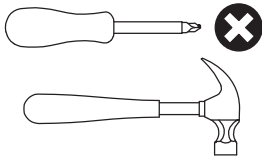
H  02

L  02

M  01

P  03

## TOOLS REQUIRED

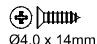


# STEP 8

## PARTS REQUIRED

7 - LEFT SIDE PANEL x1

## HARDWARE REQUIRED

C  08  
Ø4,0 x 14mm

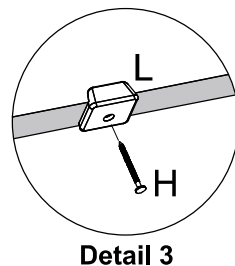
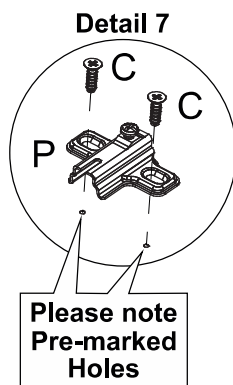
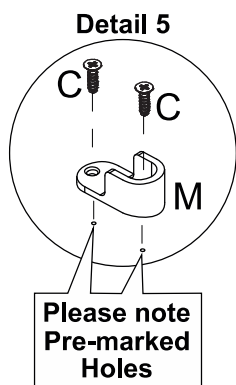
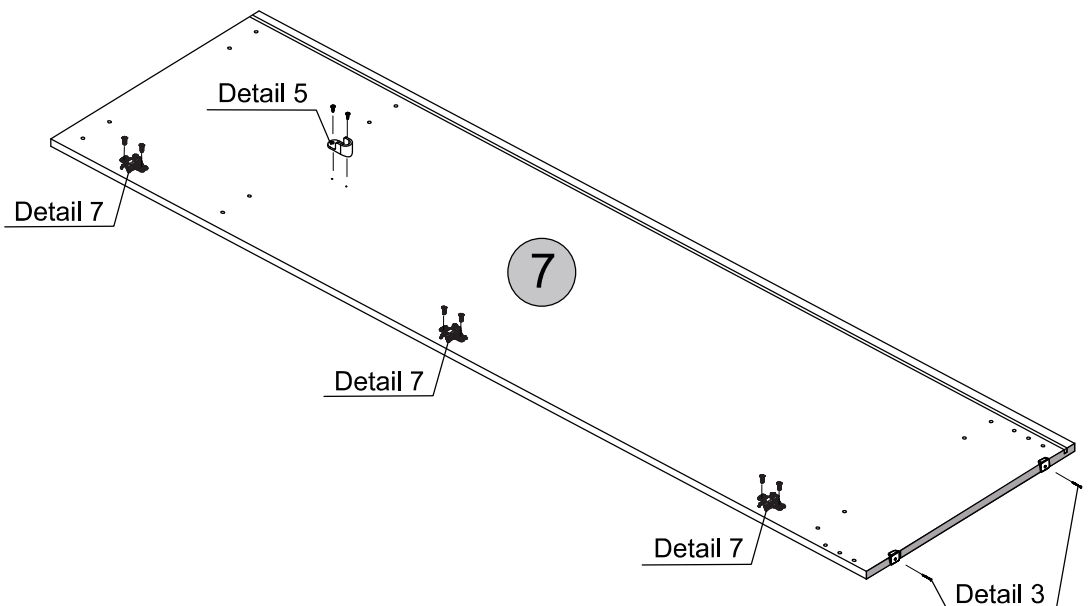
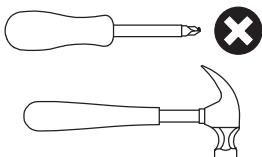
H  02

L  02

M  01

P  03

## TOOLS REQUIRED



# STEP 9

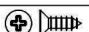
## PARTS REQUIRED


9 - TOP PANEL x1

## HARDWARE REQUIRED

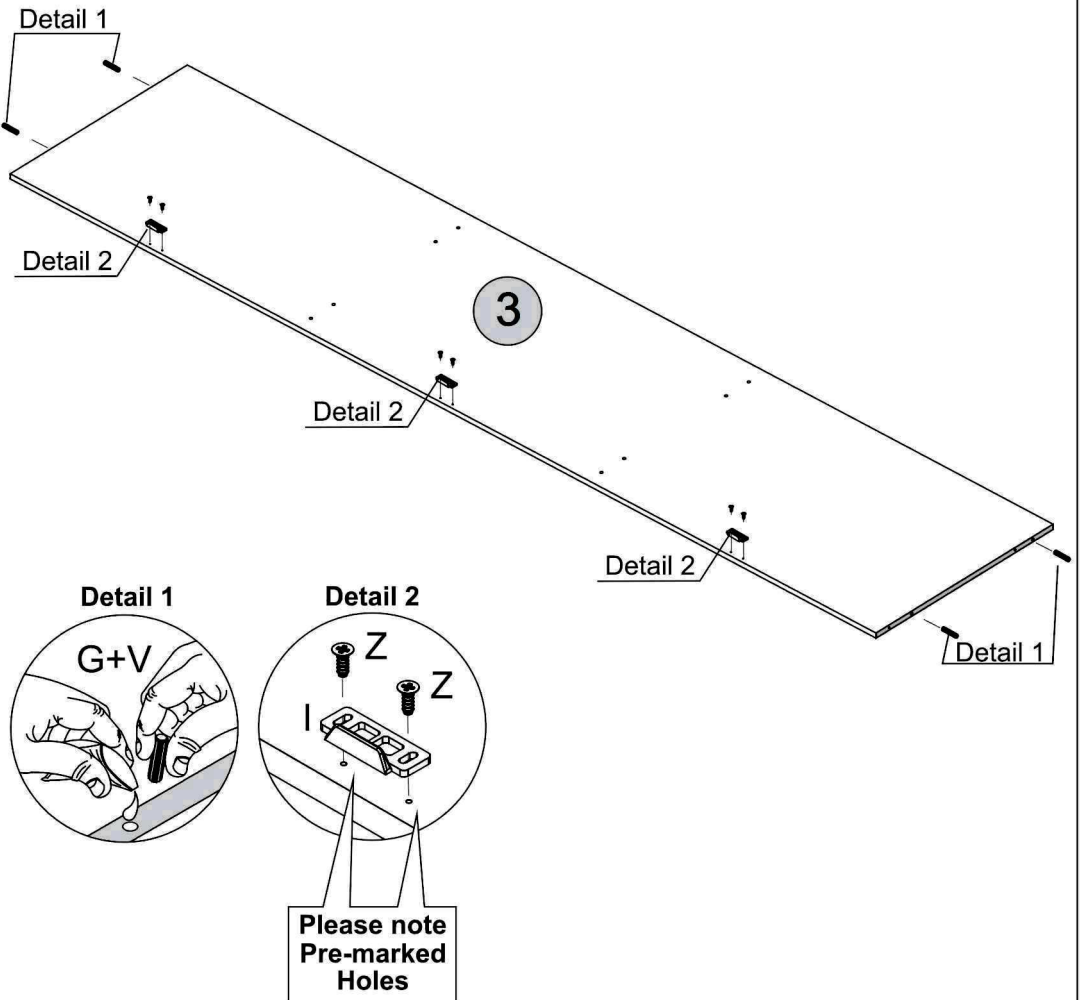
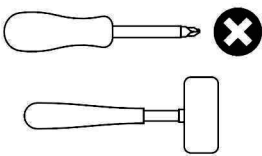
G  04  
Ø6.0 x 30mm

V  01

Z  06  
Ø4.0 x 12mm

I  03

## TOOLS REQUIRED




# STEP 10

## PARTS REQUIRED

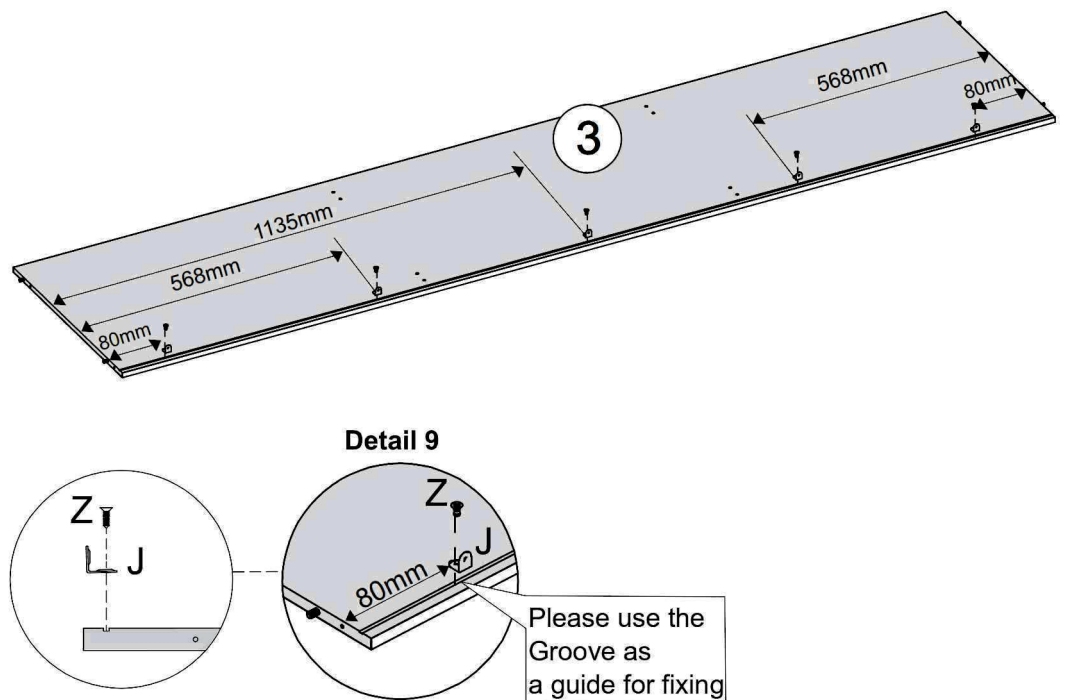
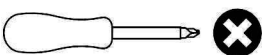
9 - TOP PANEL x1

## HARDWARE REQUIRED

J  05

Z  05  
Ø4.0 x 12mm

## TOOLS REQUIRED

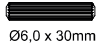



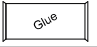



# STEP 11

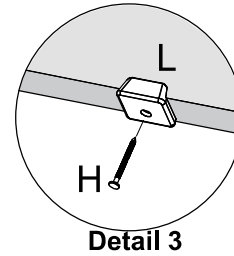
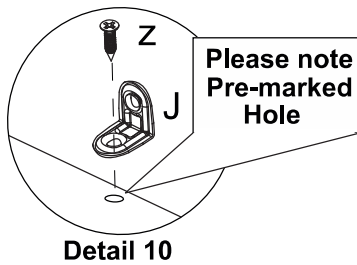
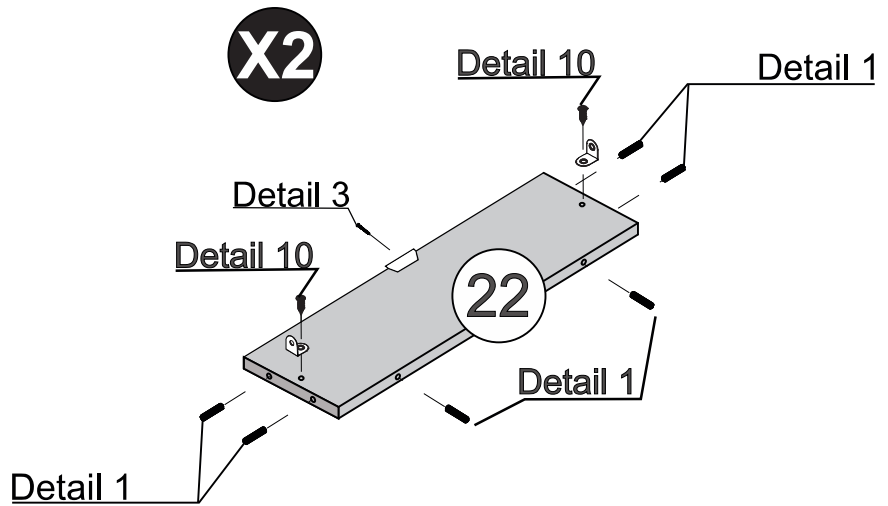
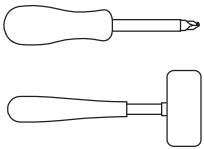
## PARTS REQUIRED

22 - CENTRAL BASEBOARD x2

## HARDWARE REQUIRED

G		12
H		02
J		04
L		02
V		01
Z		04

## TOOLS REQUIRED



# STEP 12

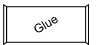

## PARTS REQUIRED

9 - BACK BASEBOARD x1

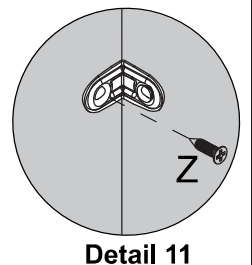
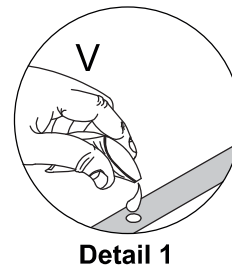
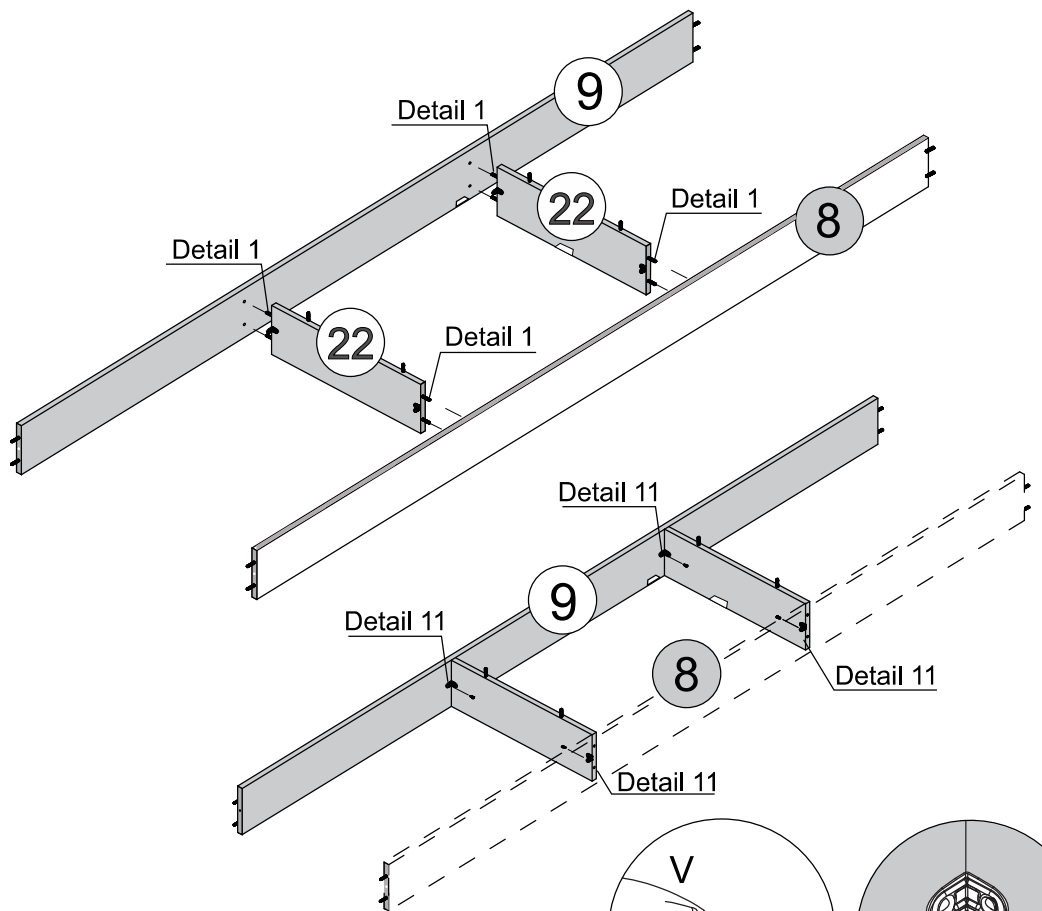
8 - FRONT BASEBOARD x1

22 - CENTRAL BASEBOARD x2

## HARDWARE REQUIRED

V		01
Z		04

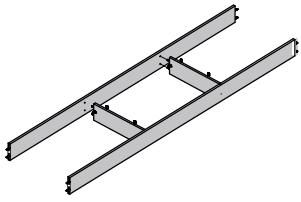
## TOOLS REQUIRED



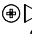
# STEP 13


## PARTS REQUIRED

7 - LEFT SIDE PANEL x1

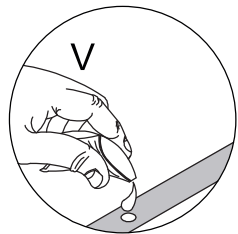
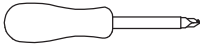


## HARDWARE REQUIRED

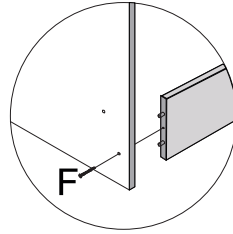
F  02  
Ø4,0 x 50mm

V  01

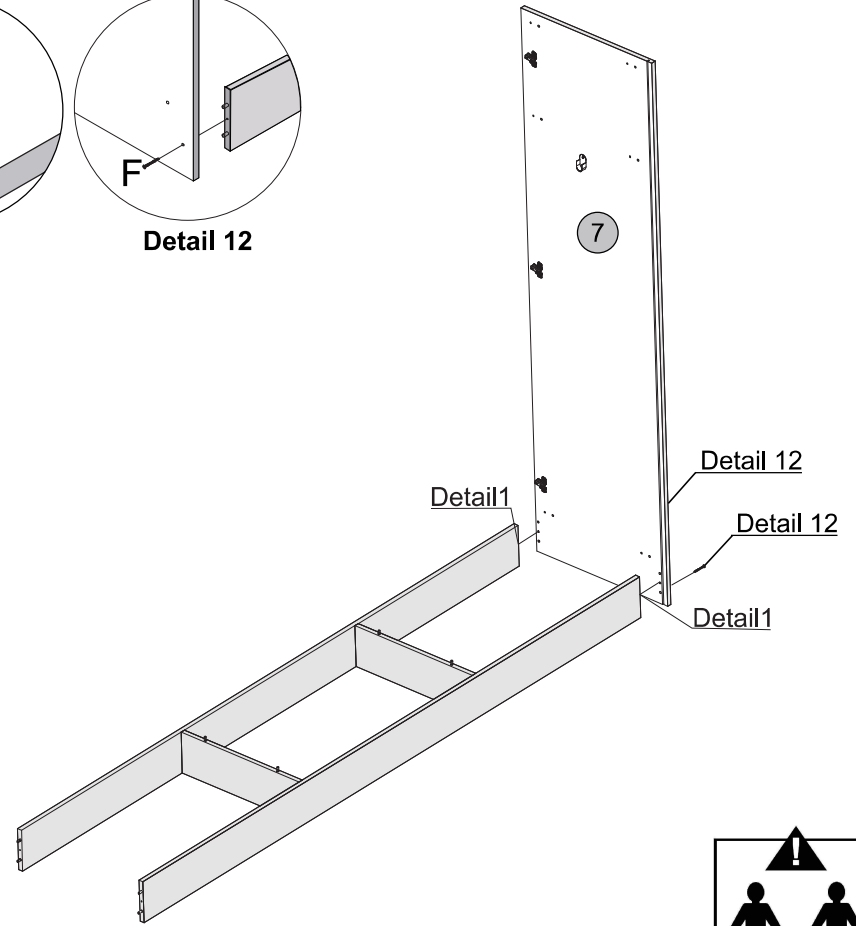
## TOOLS REQUIRED



Detail 1



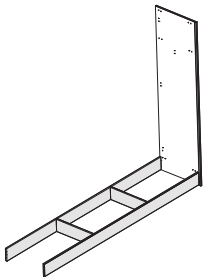
Detail 12




# STEP 14

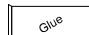
## PARTS REQUIRED

23 - BASE PANEL x1

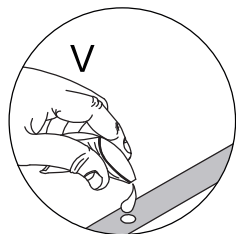


## HARDWARE REQUIRED

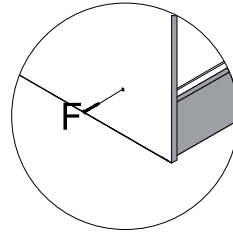
F  02  
Ø4,0 x 50mm

V  01

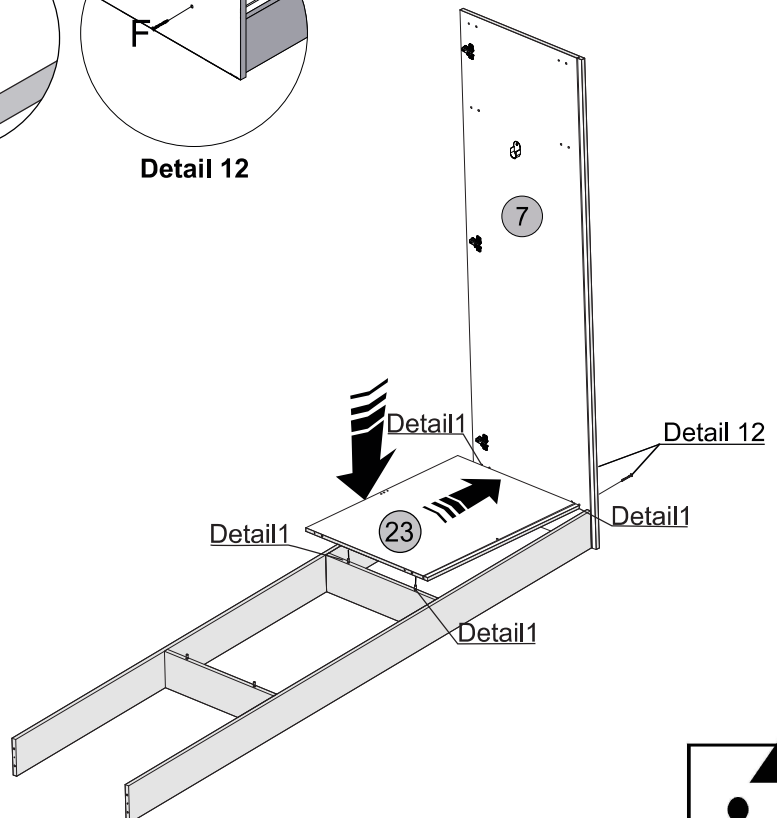
## TOOLS REQUIRED



Detail 1



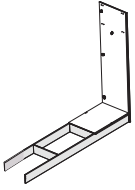
Detail 12




# STEP 15

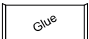
## PARTS REQUIRED

6 - RIGHT SIDE PANEL x1

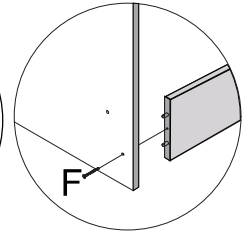
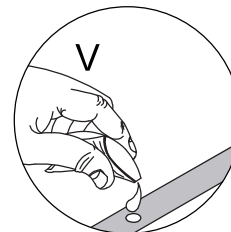
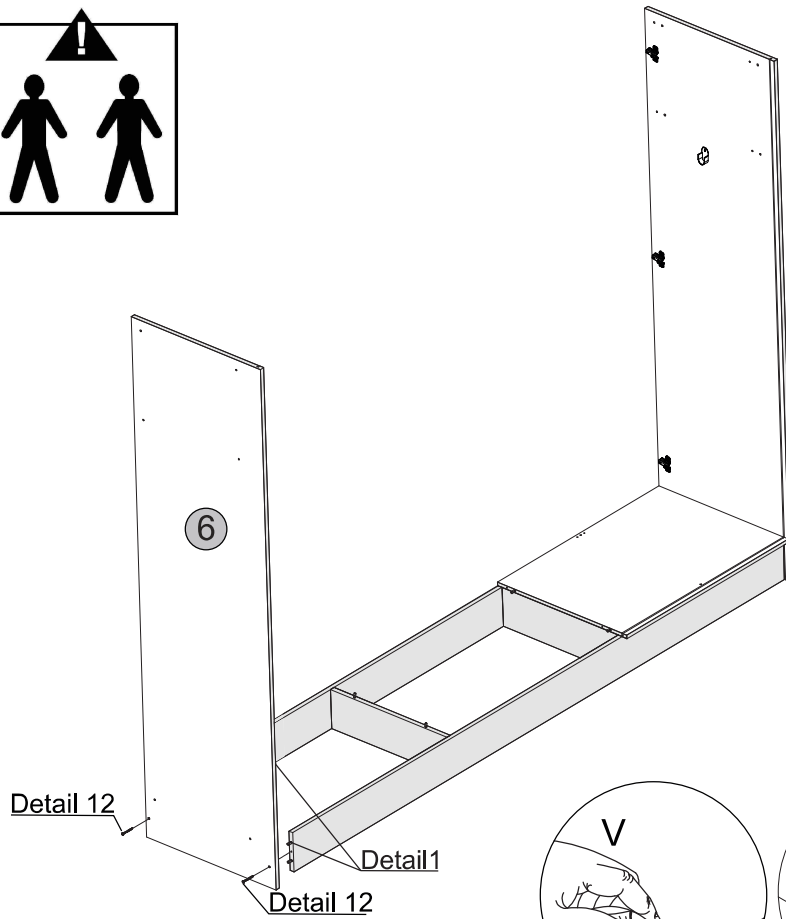
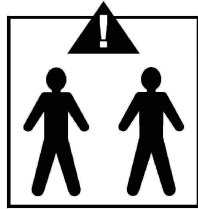
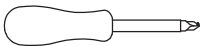


## HARDWARE REQUIRED

F  Ø4.0 x 50mm 02

V  01

## TOOLS REQUIRED



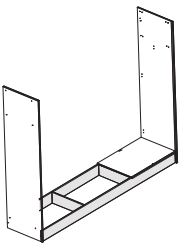
Detail 1

Detail 12


# STEP 16

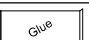
## PARTS REQUIRED

23 - BASE PANEL x1

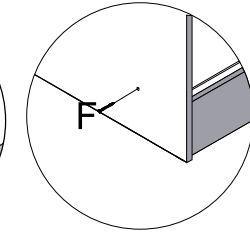
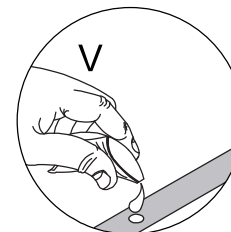
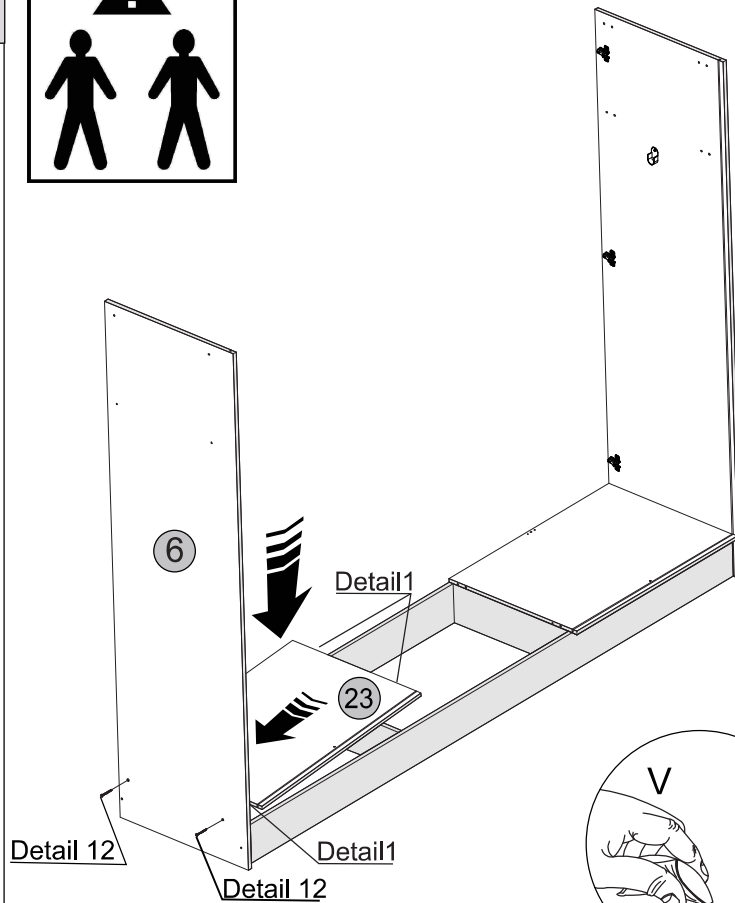
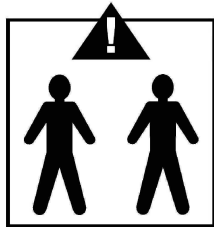


## HARDWARE REQUIRED

F  Ø4.0 x 50mm 02

V  01

## TOOLS REQUIRED



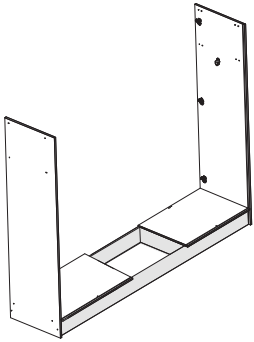
Detail 1

Detail 12


# STEP 17

## PARTS REQUIRED

4 - LEFT DIVISION PANEL x1

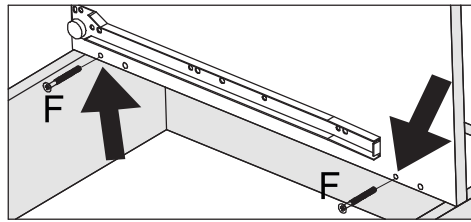
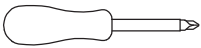


## HARDWARE REQUIRED

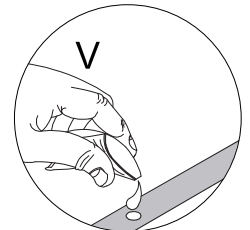
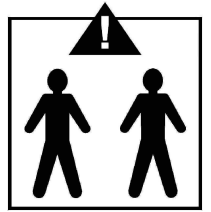
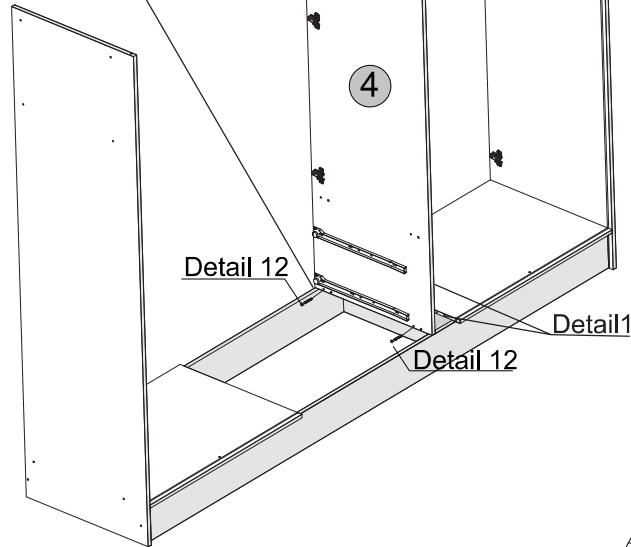
F  Ø4,0 x 50mm 02

V  01

## TOOLS REQUIRED



Detail 12

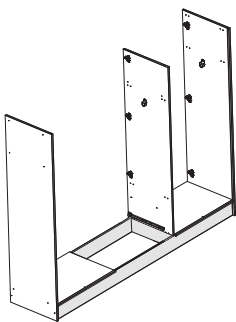


Detail 1


# STEP 18

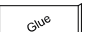
## PARTS REQUIRED

5 - UPPER PANEL x1

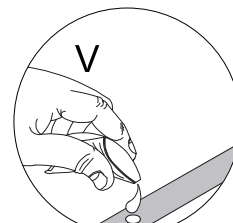
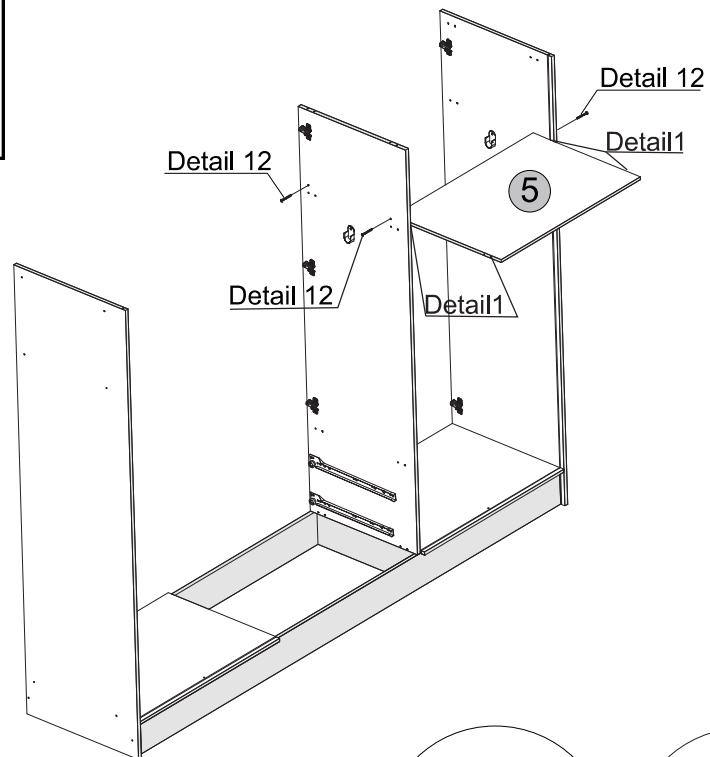
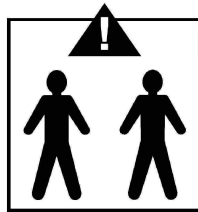


## HARDWARE REQUIRED

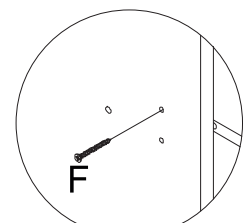
F  Ø4,0 x 50mm 04

V  01

## TOOLS REQUIRED



Detail 1

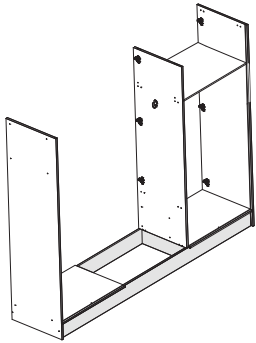


Detail 12


# STEP 19


## PARTS REQUIRED

2 - RIGHT DIVISION PANEL x1

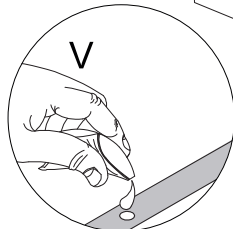
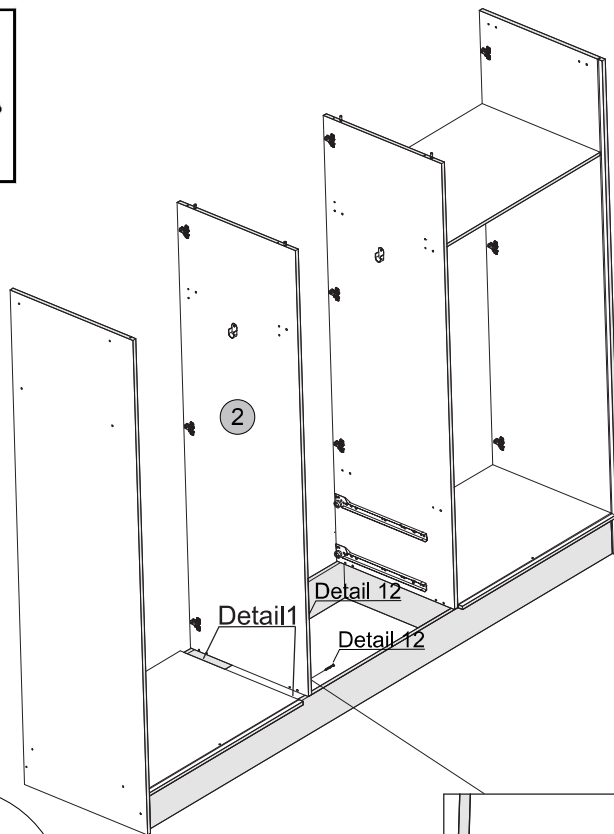
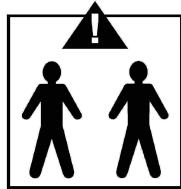


## HARDWARE REQUIRED

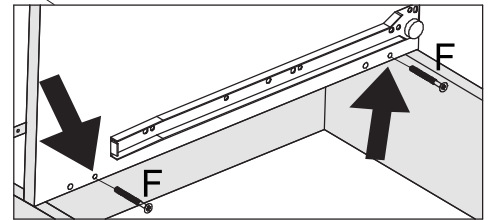
F  02  
Ø4,0 x 50mm

V  01

## TOOLS REQUIRED



Detail 1

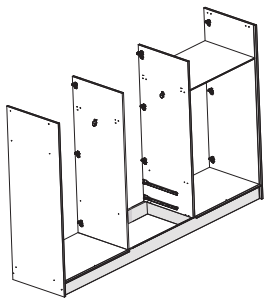


Detail 12


# STEP 20

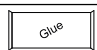
## PARTS REQUIRED

1 - SHELF OVER DRAWER x1

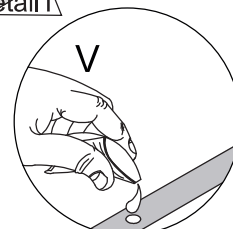
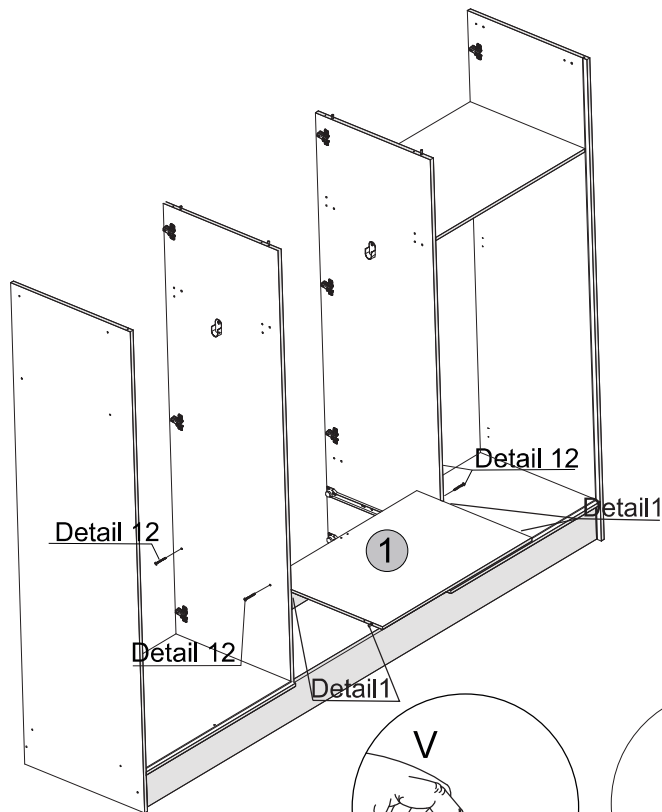
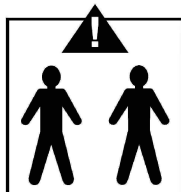


## HARDWARE REQUIRED

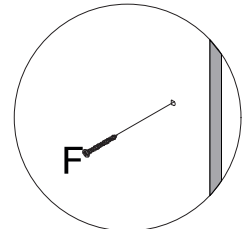
F  04  
Ø4,0 x 50mm

V  01

## TOOLS REQUIRED



Detail 1

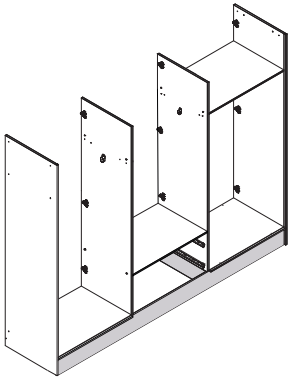


Detail 12


# STEP 21

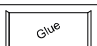
## PARTS REQUIRED

5 - UPPER PANEL x1

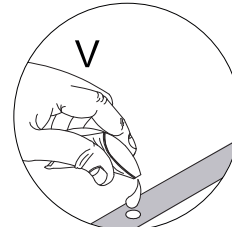
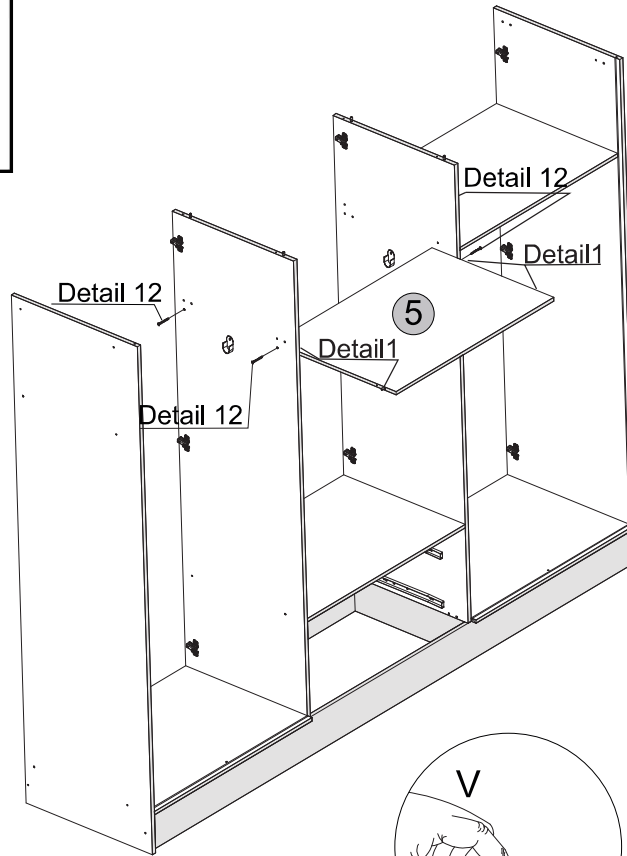
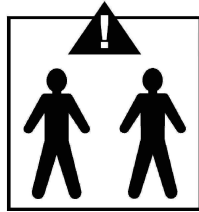


## HARDWARE REQUIRED

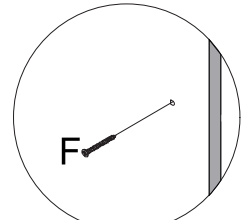
F  Ø4,0 x 50mm 04

V  Glue 01

## TOOLS REQUIRED



Detail 1

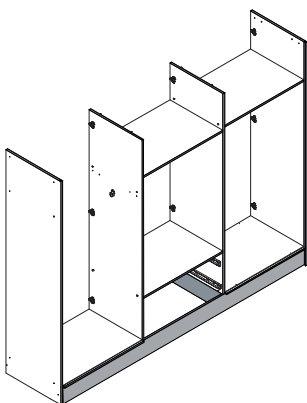


Detail 12


# STEP 22

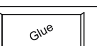
## PARTS REQUIRED

5 - UPPER PANEL x1

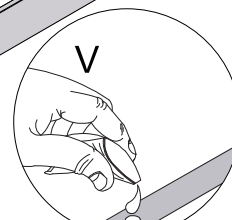
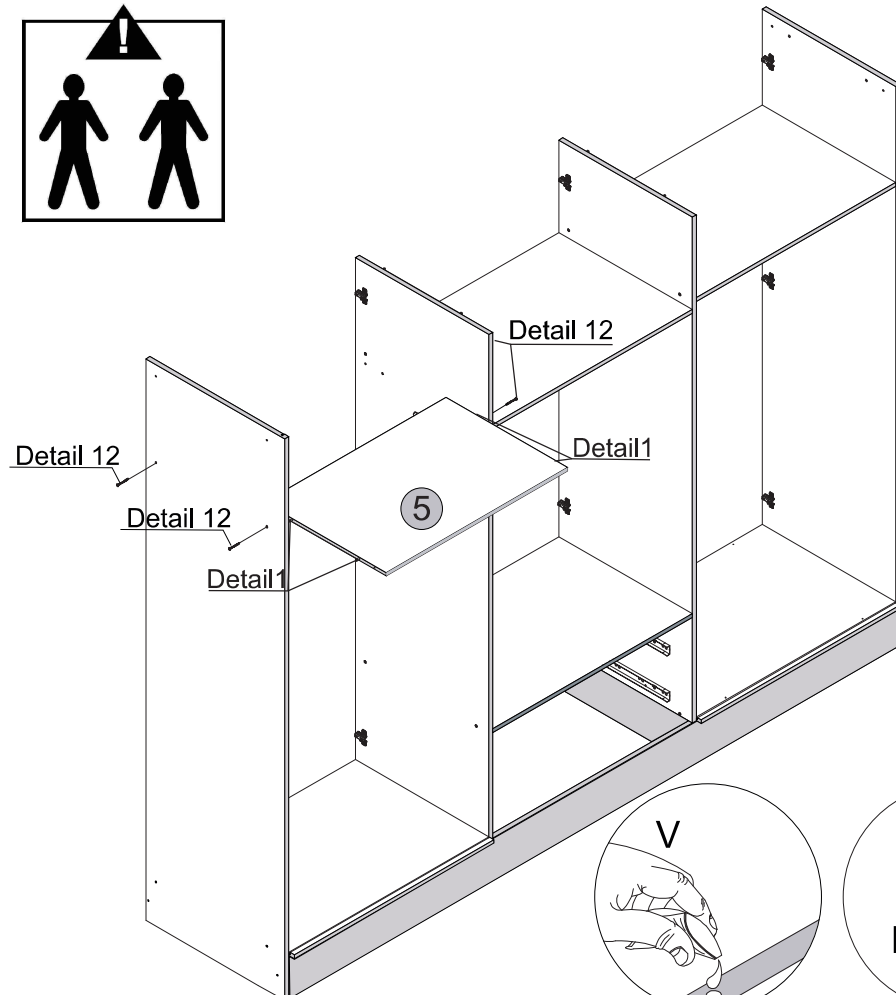
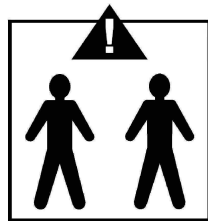


## HARDWARE REQUIRED

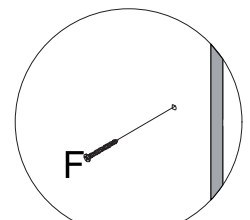
F  Ø4,0 x 50mm 04

V  Glue 01

## TOOLS REQUIRED



Detail 1

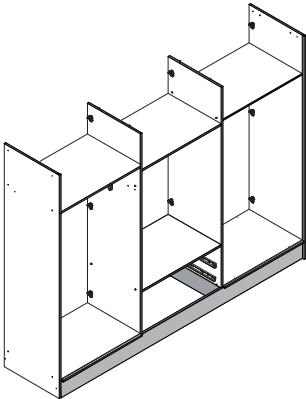


Detail 12

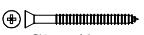
# STEP 23


## PARTS REQUIRED

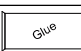
3 - TOP PANEL x1



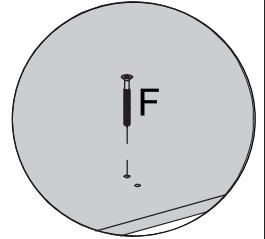
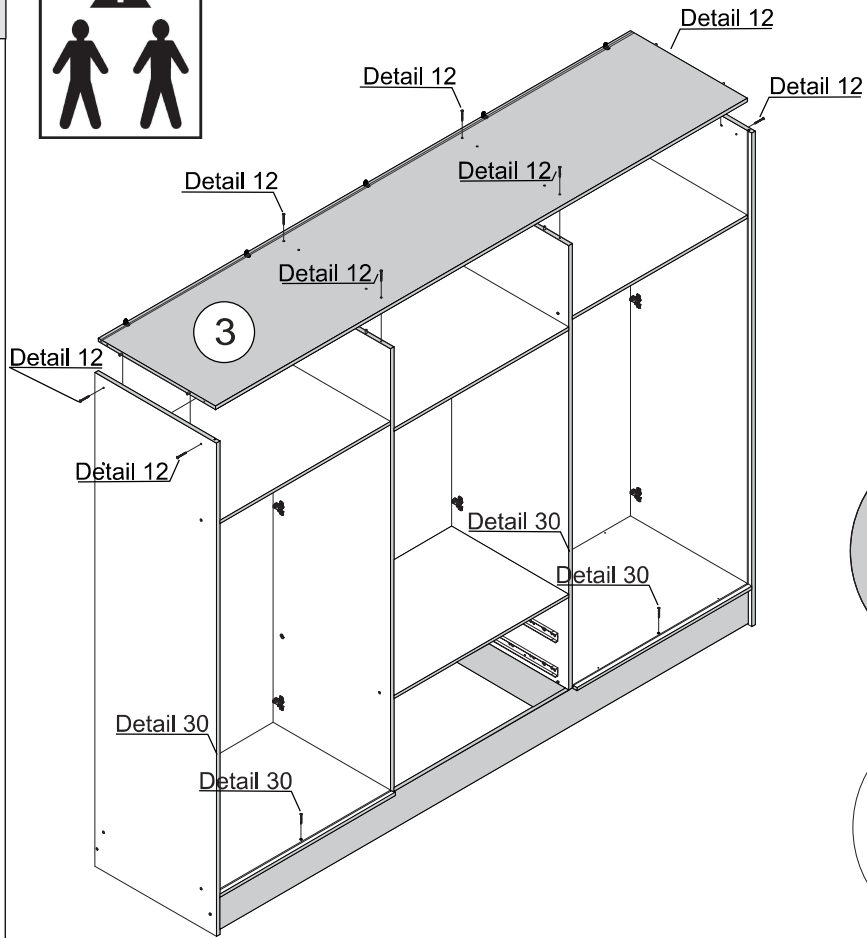
## HARDWARE REQUIRED

E  04  
Ø3,5 x 40mm

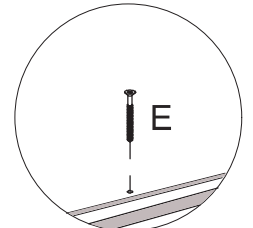
F  08  
Ø4,0 x 50mm

V  01

## TOOLS REQUIRED



Detail 12

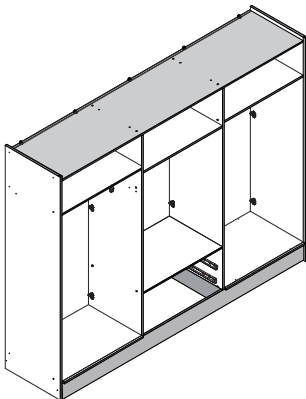


Detail 30


# STEP 24

## PARTS REQUIRED

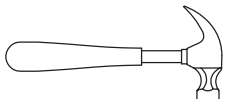
20 - BACK PANEL x2



## HARDWARE REQUIRED

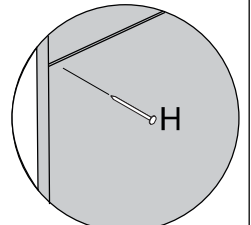
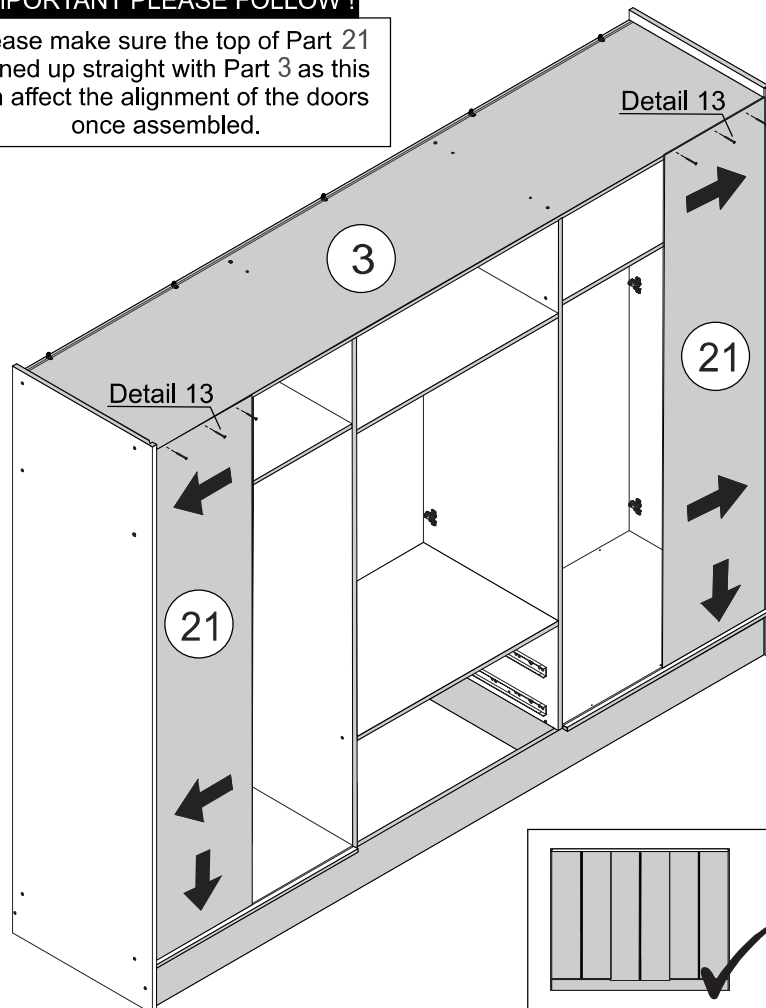
H  06  
10 x 10

## TOOLS REQUIRED

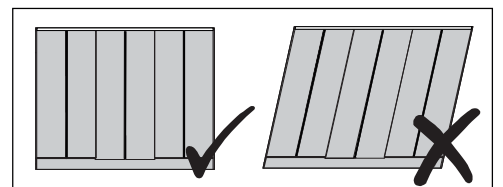
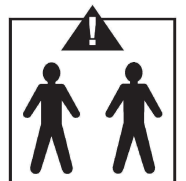


### IMPORTANT PLEASE FOLLOW !

Please make sure the top of Part 21 is lined up straight with Part 3 as this can affect the alignment of the doors once assembled.



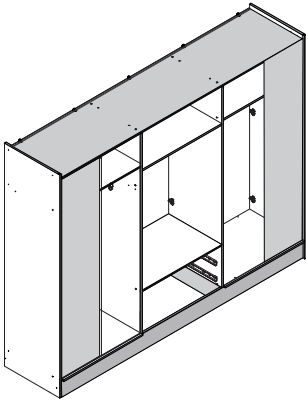
Detail 13



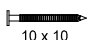
# STEP 25

## PARTS REQUIRED

21 - BACK PANEL x2

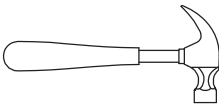


## HARDWARE REQUIRED

H  06  
10 x 10

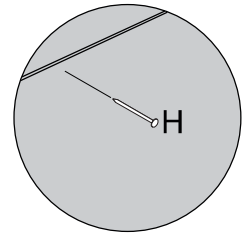
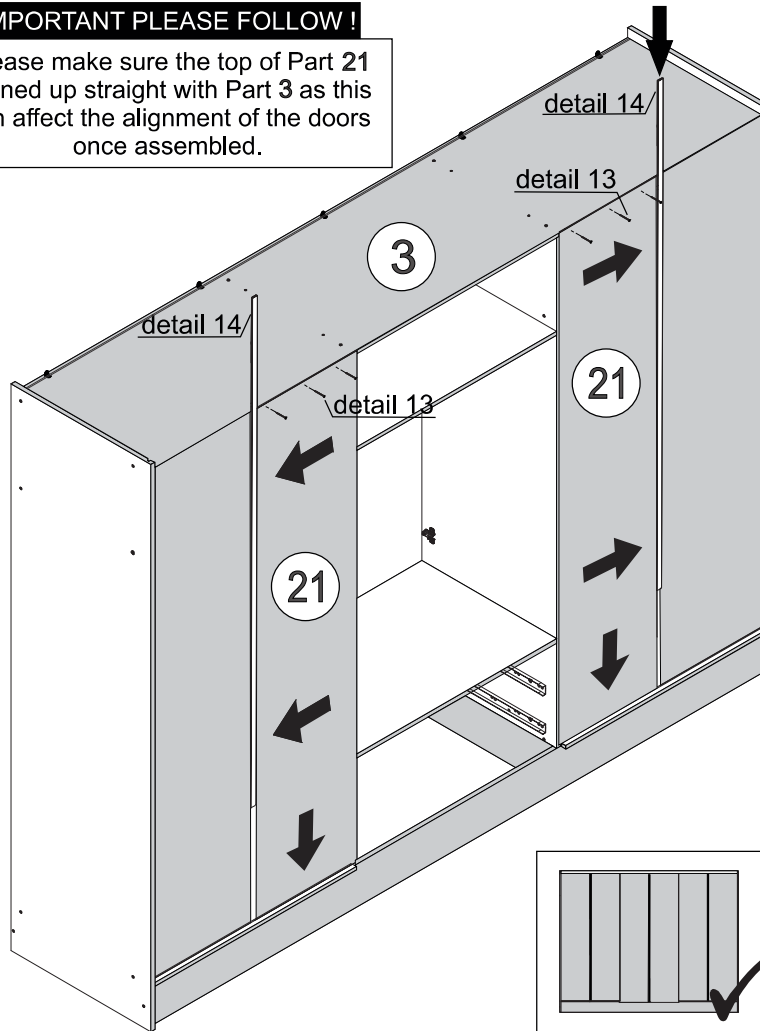
R  02

## TOOLS REQUIRED

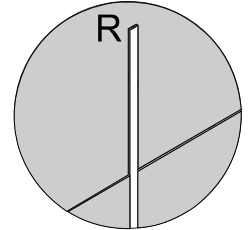


### IMPORTANT PLEASE FOLLOW !

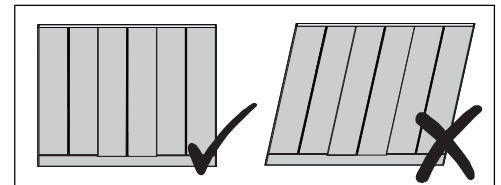
Please make sure the top of Part 21 is lined up straight with Part 3 as this can affect the alignment of the doors once assembled.



Detail 13



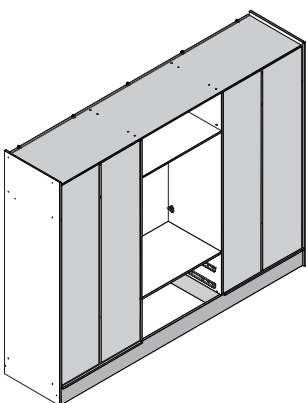
Detail 14



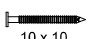
# STEP 26


## PARTS REQUIRED


22 - CENTRE BACK PANEL x2



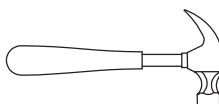
## HARDWARE REQUIRED

H  24  
10 x 10

R  01

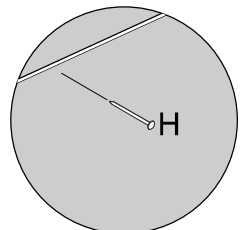
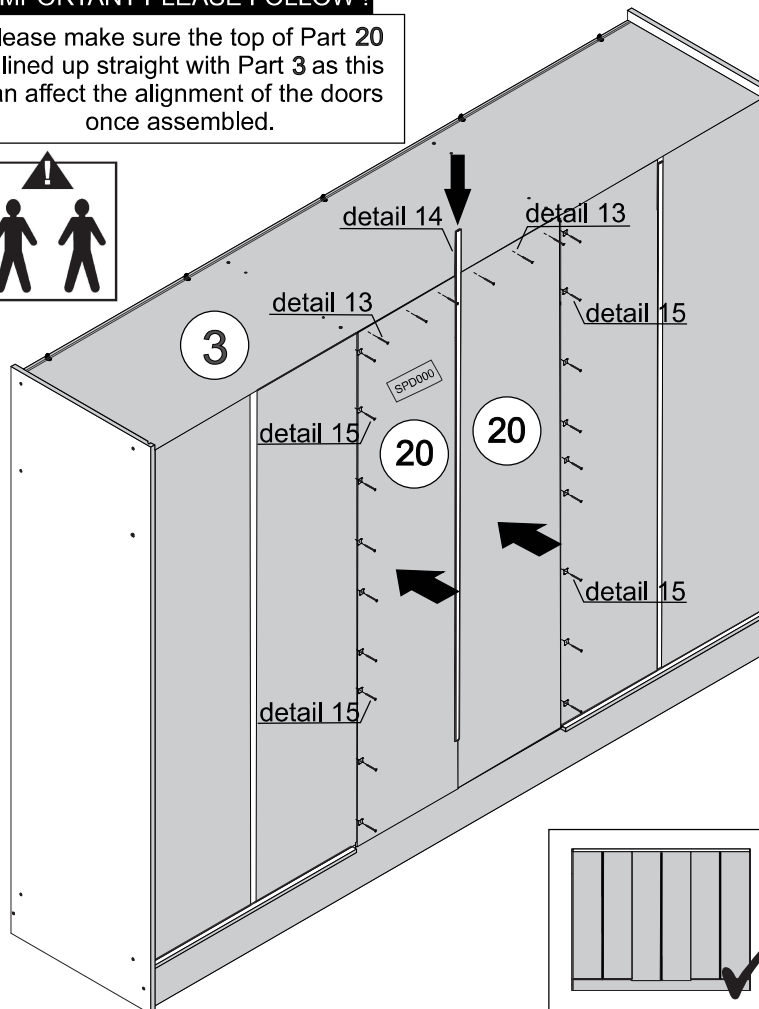
A1  18

## TOOLS REQUIRED

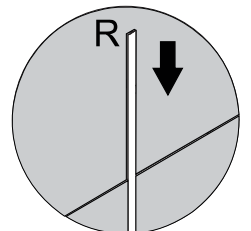


### IMPORTANT PLEASE FOLLOW !

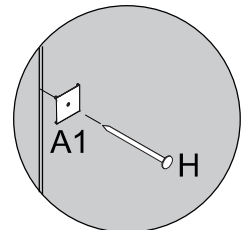
Please make sure the top of Part 20 is lined up straight with Part 3 as this can affect the alignment of the doors once assembled.



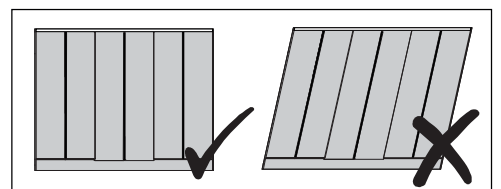
Detail 13



Detail 14

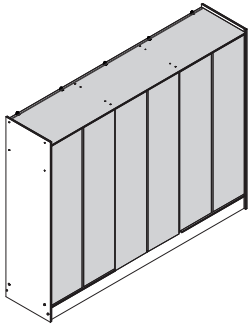


Detail 15



# STEP 27

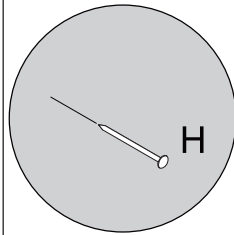
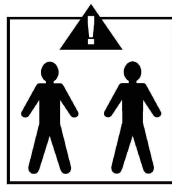
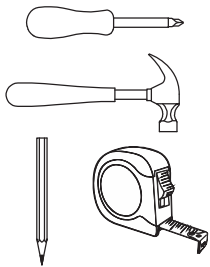
## PARTS REQUIRED



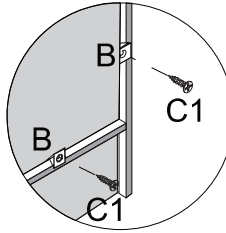
## HARDWARE REQUIRED

B		12
C1		12
H		06

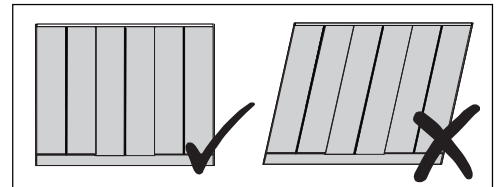
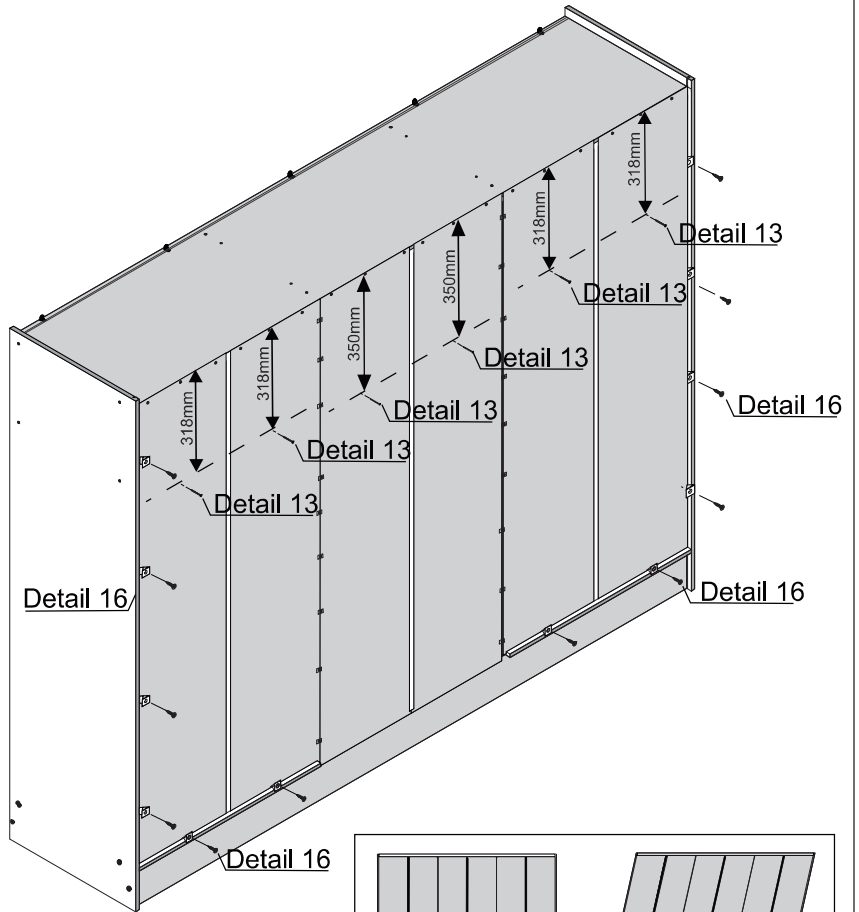
## TOOLS REQUIRED



Detail 13



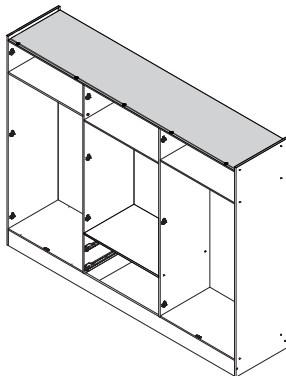
Detail 16



# STEP 28

## PARTS REQUIRED

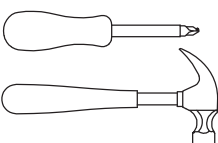
2 - FRAME	x1
-----------	----



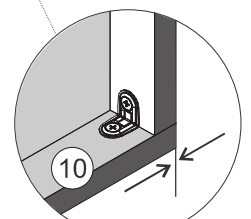
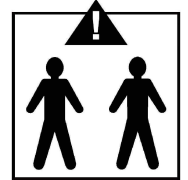
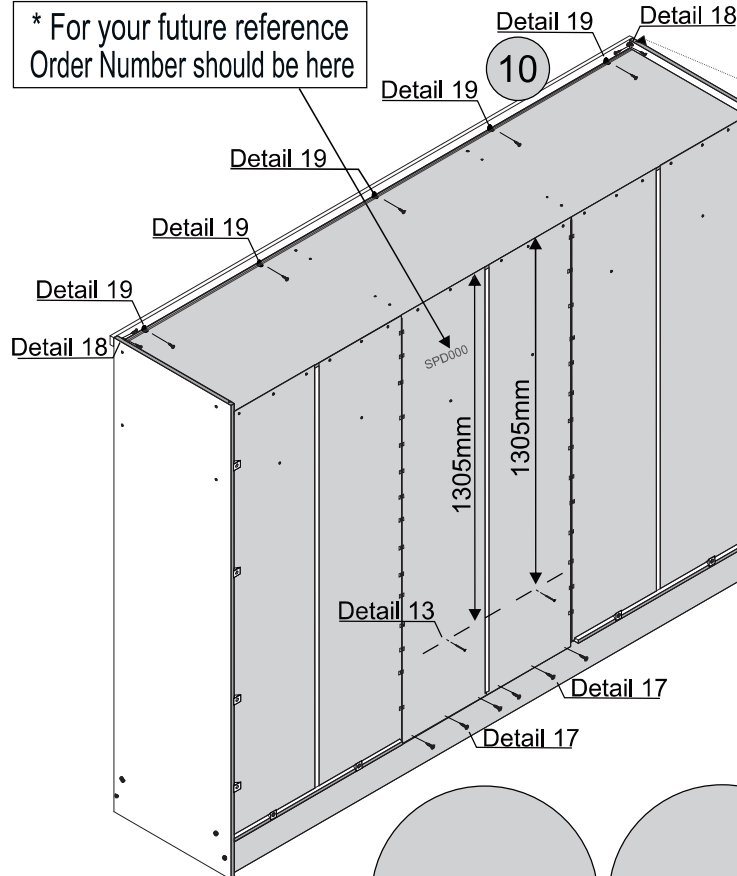
## HARDWARE REQUIRED

H		02
J		02
Z		09
B1		06

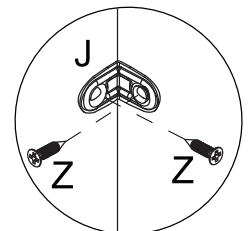
## TOOLS REQUIRED



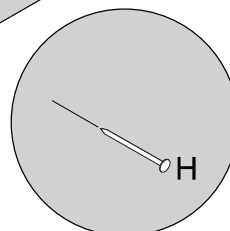
\* For your future reference Order Number should be here



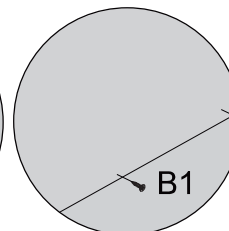
Align corners



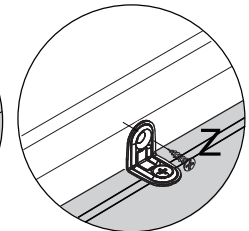
Detail 18



Detail 13



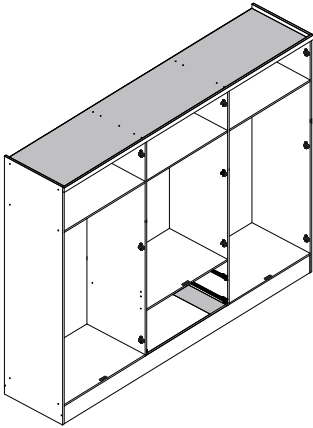
Detail 17



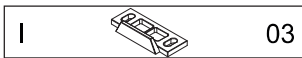
Detail 19

# STEP 29

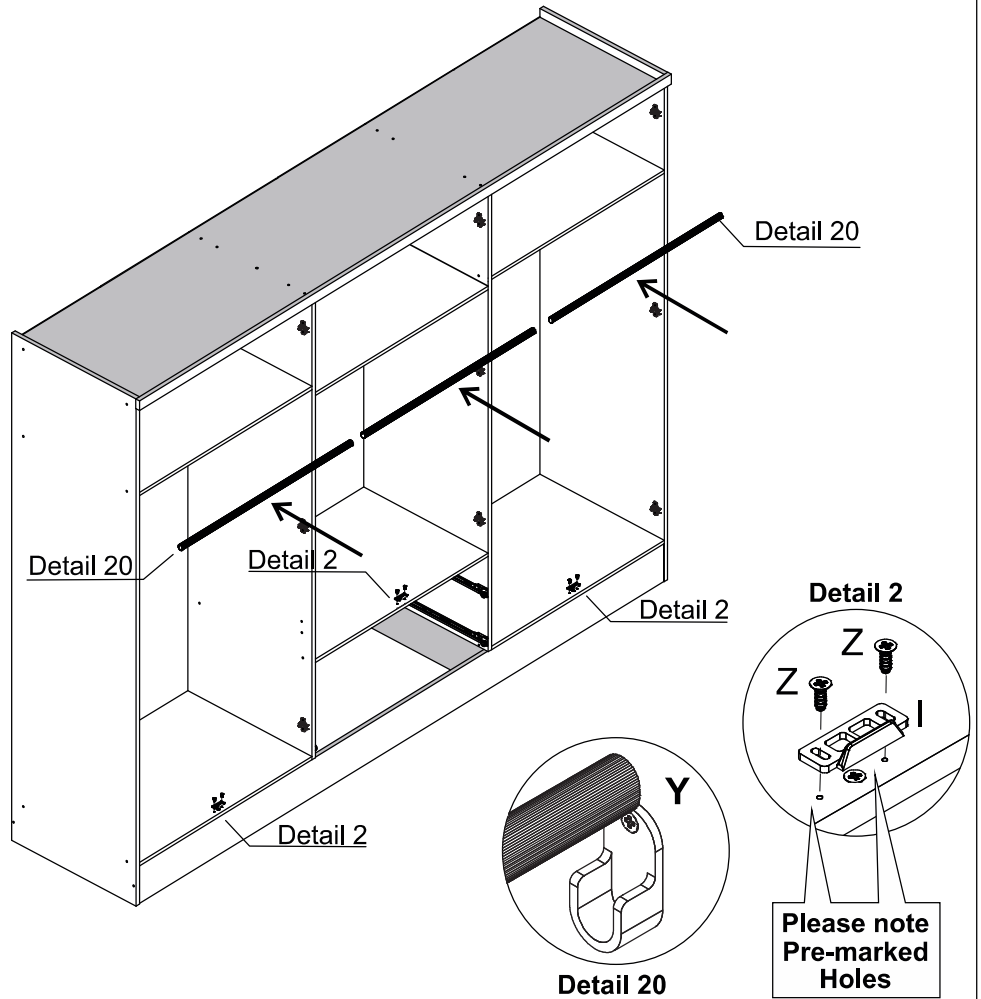
## PARTS REQUIRED



## HARDWARE REQUIRED

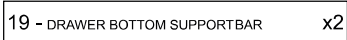


## TOOLS REQUIRED

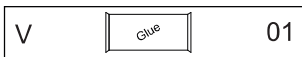
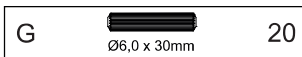


# STEP 30

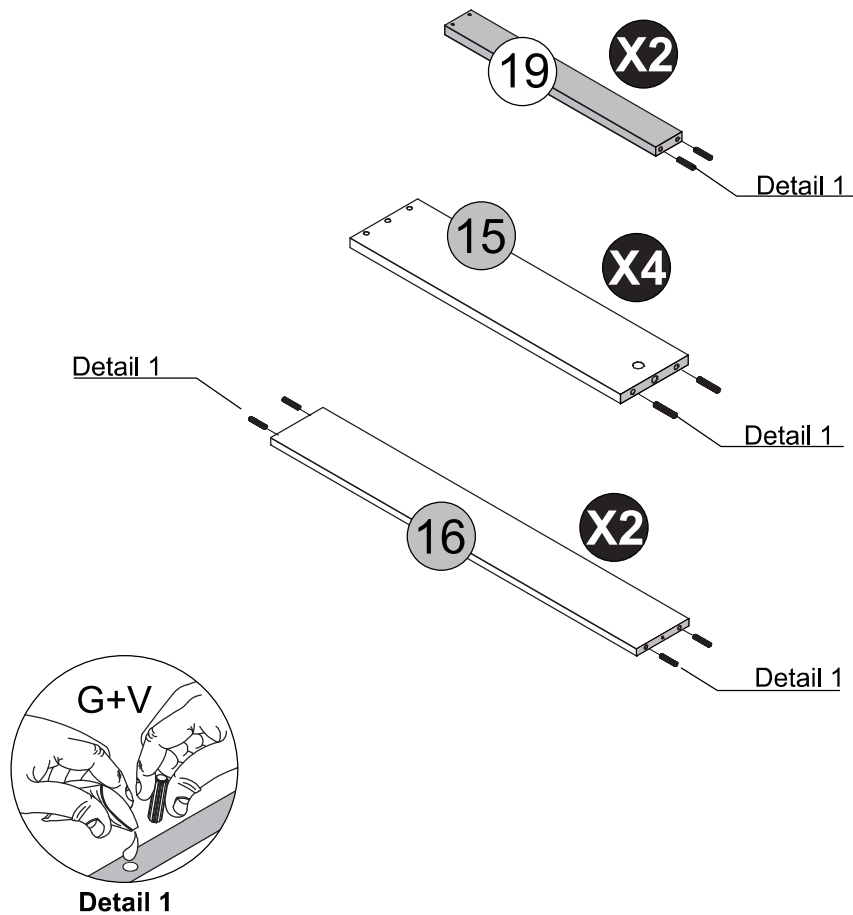
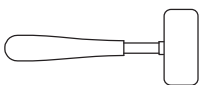
## PARTS REQUIRED



## HARDWARE REQUIRED



## TOOLS REQUIRED

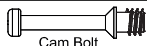


# STEP 31

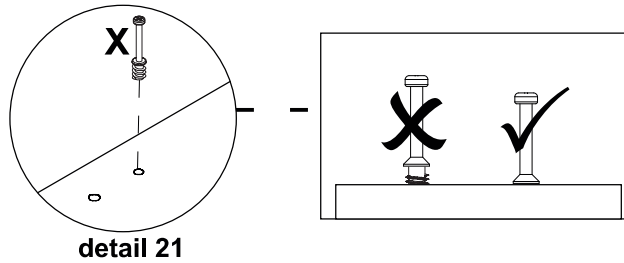
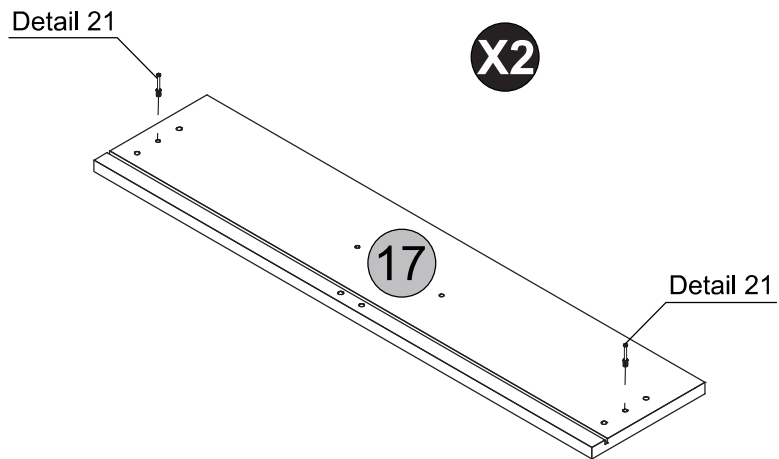
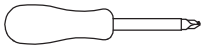
## PARTS REQUIRED

17 - DRAWER FRONT x2

## HARDWARE REQUIRED

X  04  
Cam Bolt

## TOOLS REQUIRED



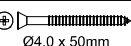
# STEP 32

## PARTS REQUIRED

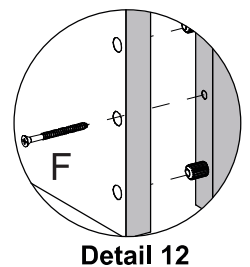
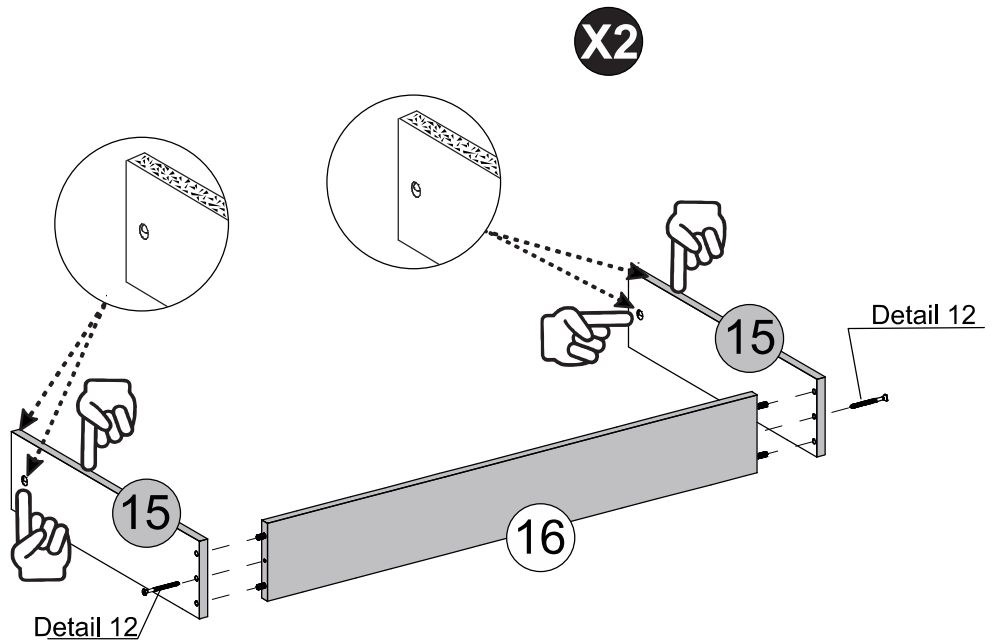
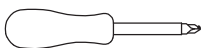
15 - DRAWER SIDE x4

16 - DRAWER BACK PANEL x2

## HARDWARE REQUIRED

F  04  
Ø4.0 x 50mm

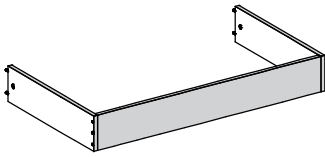
## TOOLS REQUIRED



# STEP 33

## PARTS REQUIRED

17 - DRAWER FRONT x2



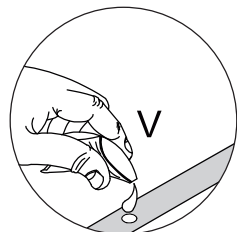
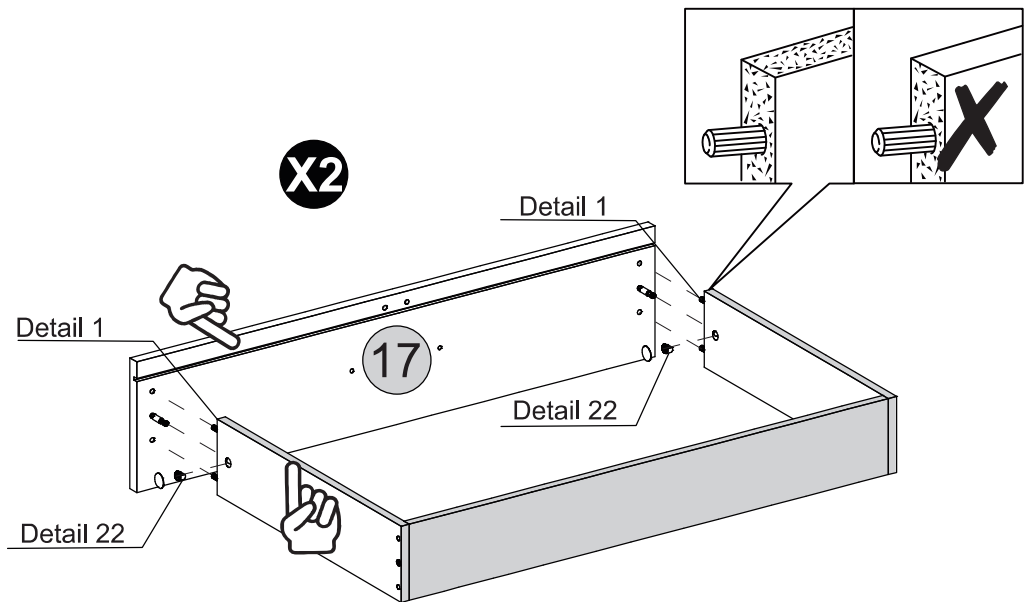
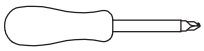
## HARDWARE REQUIRED

D1 04

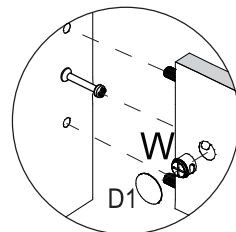
V 01

W 04

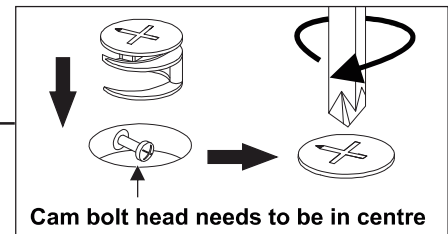
## TOOLS REQUIRED



Detail 1



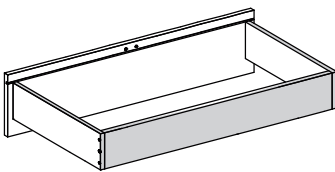
Detail 22



# STEP 34

## PARTS REQUIRED

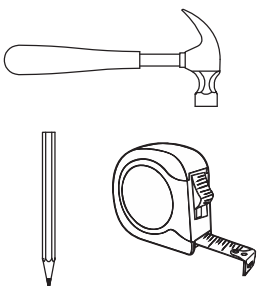
18 - DRAWER BOTTOM x2



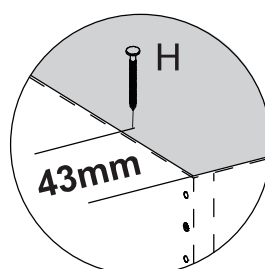
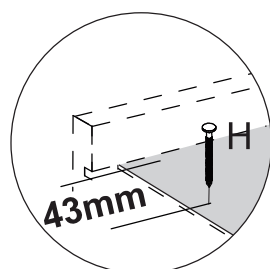
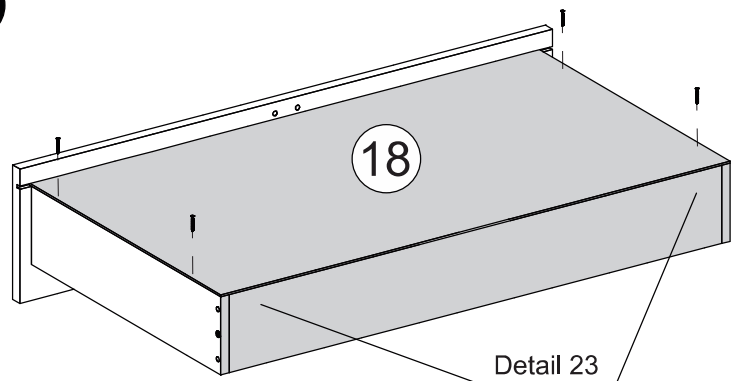
## HARDWARE REQUIRED

H 10 x 10 08

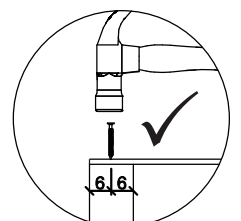
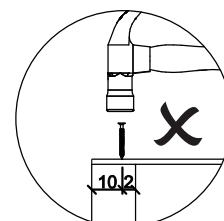
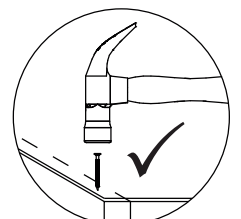
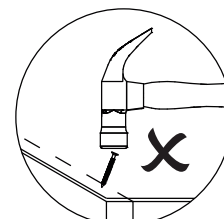
## TOOLS REQUIRED



X2



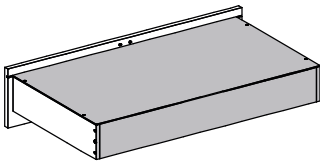
Detail 23




# STEP 35

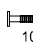
## PARTS REQUIRED

19 - DRAWER BOTTOM SUPPORTBAR x2

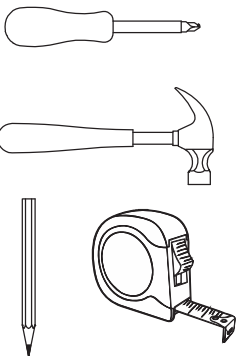


## HARDWARE REQUIRED

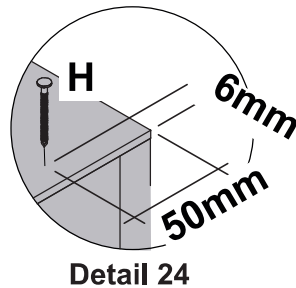
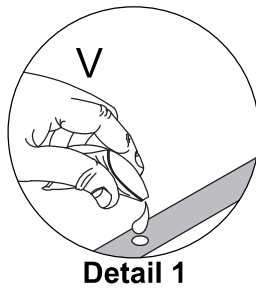
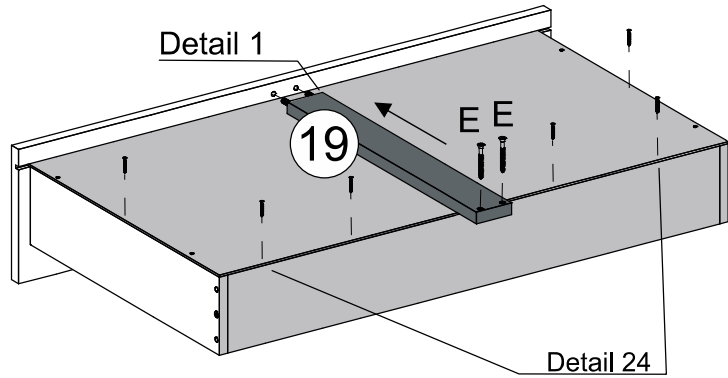
E  04  
Ø3.5 x 40mm

H  12  
10 x 10

## TOOLS REQUIRED

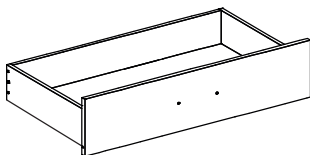


**X2**





# STEP 36


## PARTS REQUIRED



## HARDWARE REQUIRED

C  08  
Ø4.0 x 14mm

D  04  
Ø4.0 x 20mm

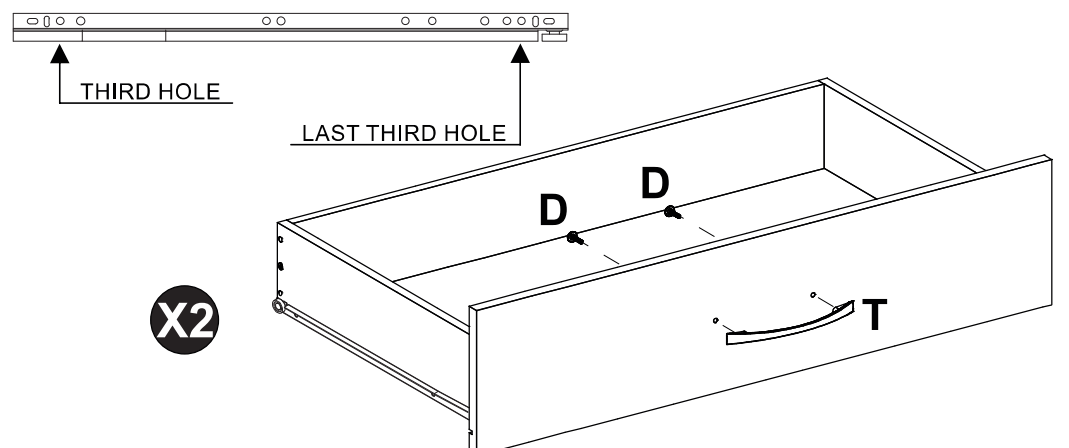
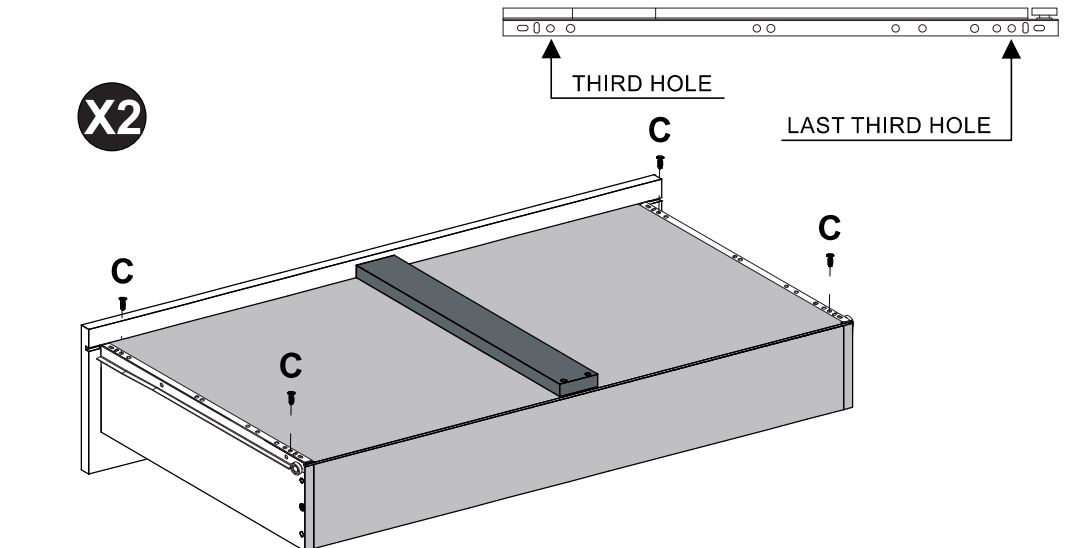
Q  04

T  02

## TOOLS REQUIRED



**X2**



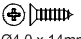

**X2**

# STEP 37

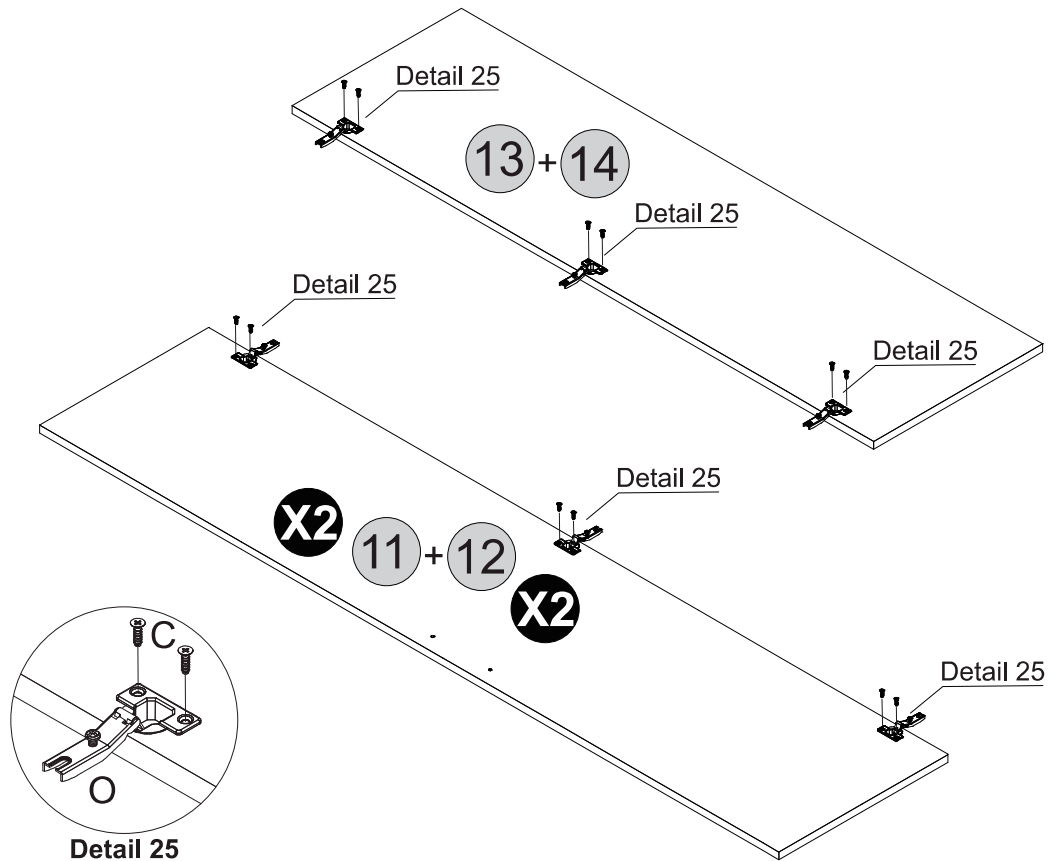
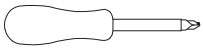
## PARTS REQUIRED

11 - RIGHT LARGE DOOR	x2
12 - LEFT LARGE DOOR	x2
13 - RIGHT SMALL DOOR	x1
14 - LEFT SMALL DOOR	x1

## HARDWARE REQUIRED

C	 36 Ø4,0 x 14mm
O	 18

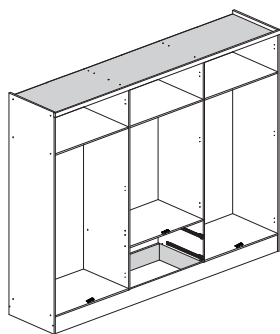
## TOOLS REQUIRED





# STEP 38

## PARTS REQUIRED

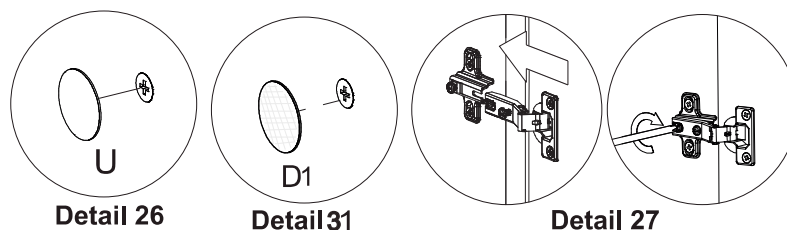
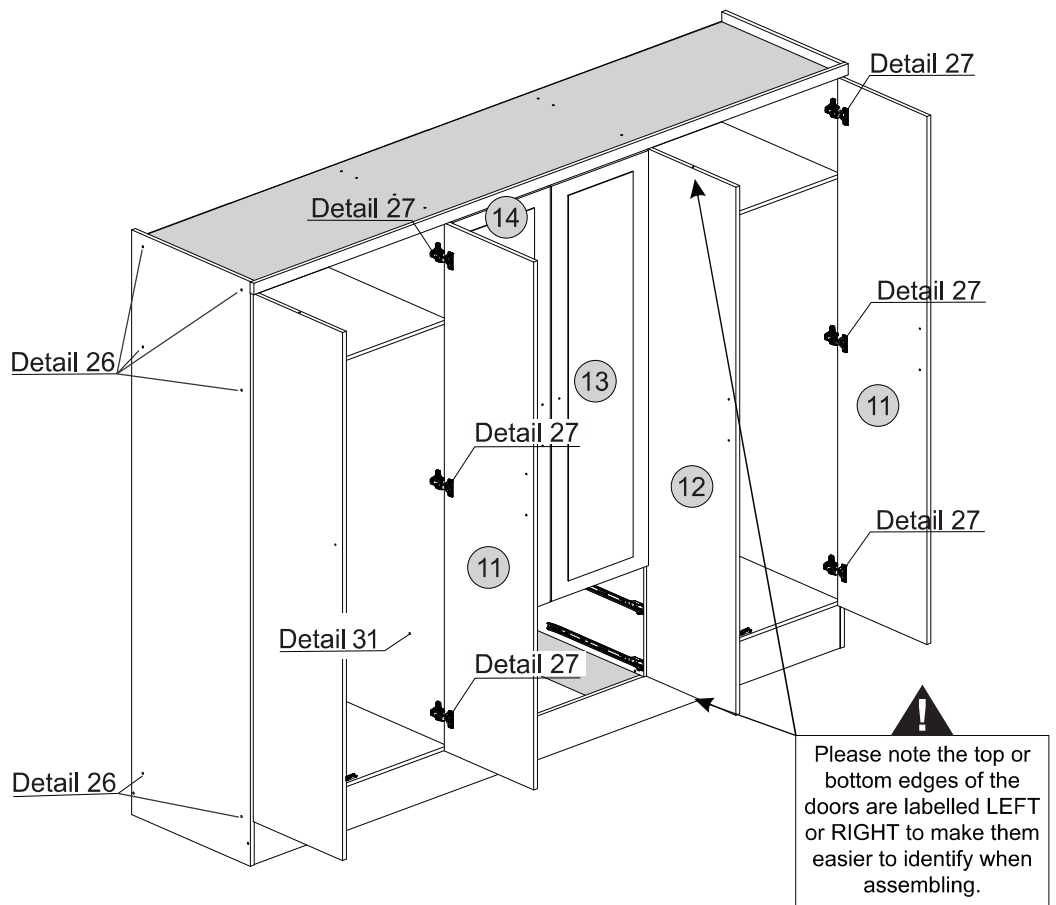
11 - RIGHT LARGE DOOR	x2
12 - LEFT LARGE DOOR	x2
13 - RIGHT SMALL DOOR	x1
14 - LEFT SMALL DOOR	x1



## HARDWARE REQUIRED

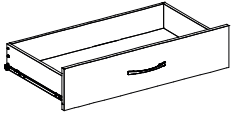
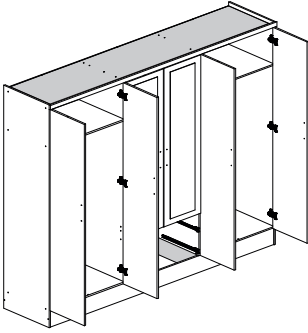
U	 16
D1	 Hole Plugs Lineo 12

## TOOLS REQUIRED

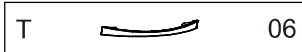
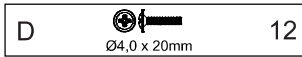


# STEP 39

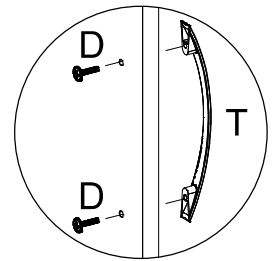
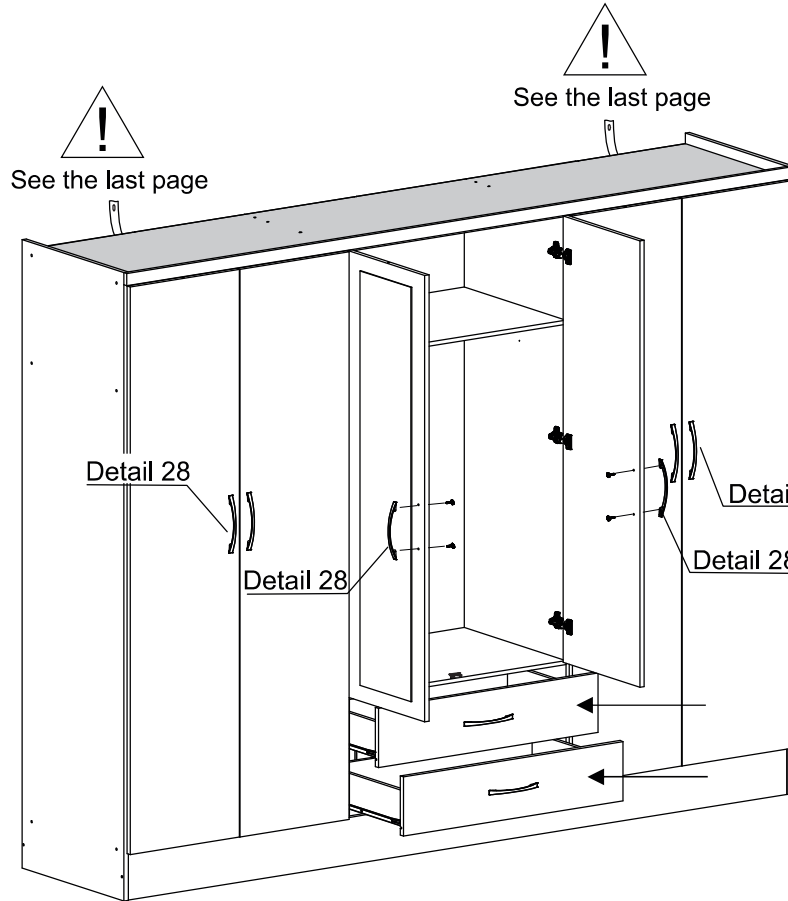
## PARTS REQUIRED



## HARDWARE REQUIRED



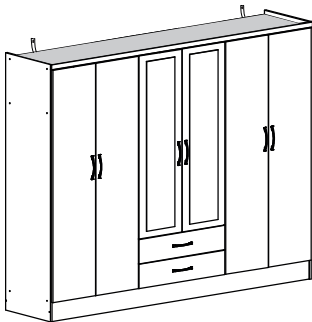
## TOOLS REQUIRED



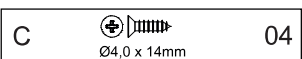
Detail 28

# STEP 40

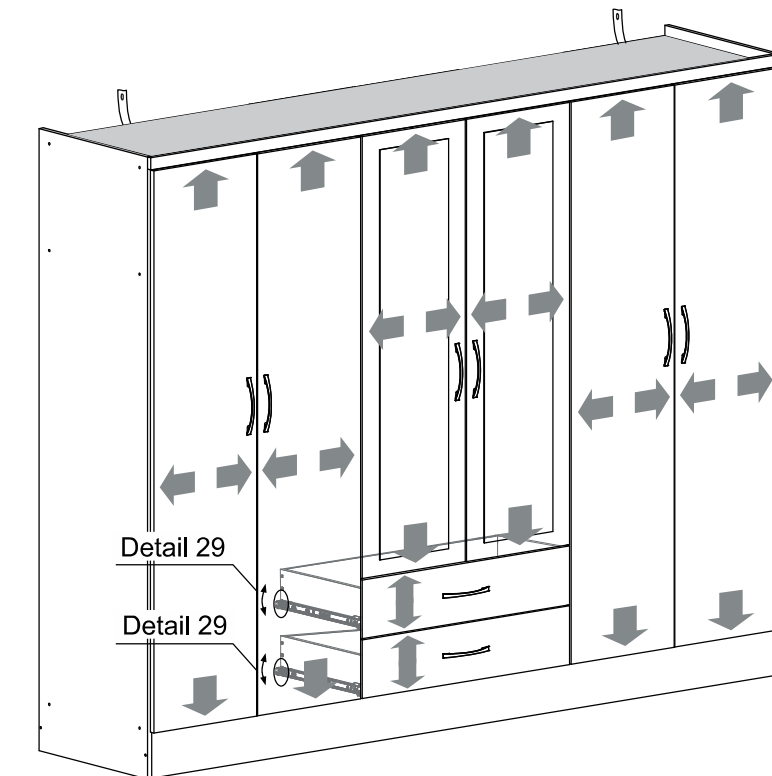
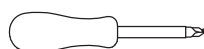
## PARTS REQUIRED



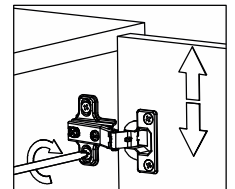
## HARDWARE REQUIRED



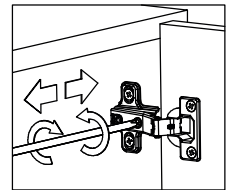
## TOOLS REQUIRED



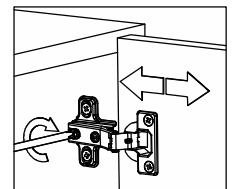
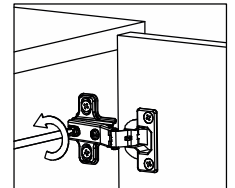
### Height Adjustment



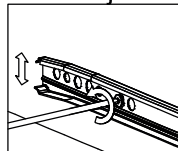
### Internal Adjustment



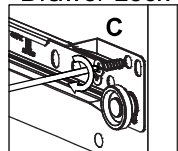
### Depth Adjustment



### Drawer Adjustment



### Drawer Lock

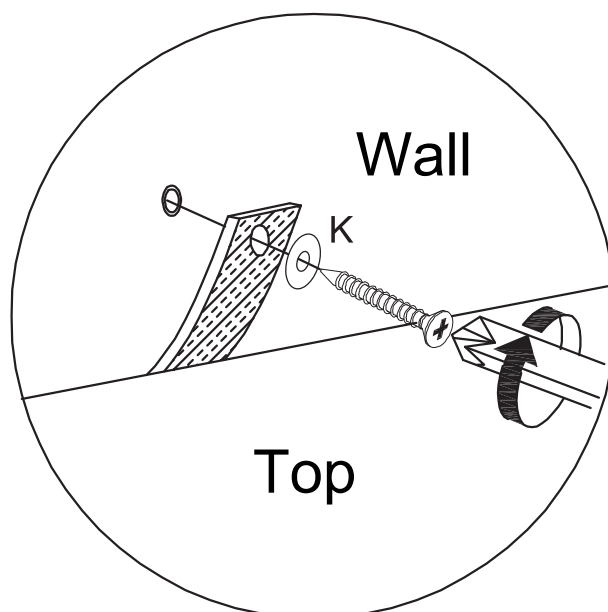
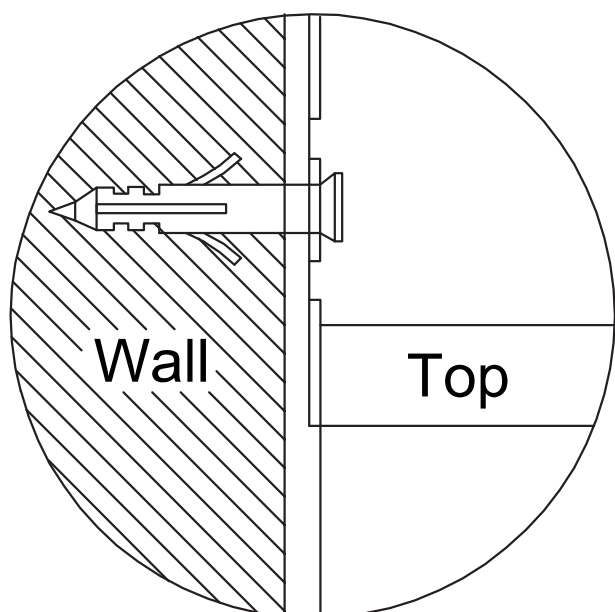
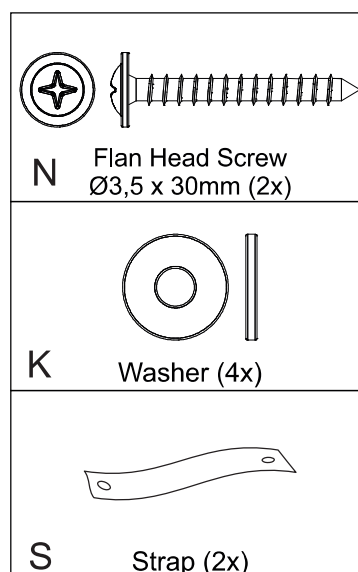
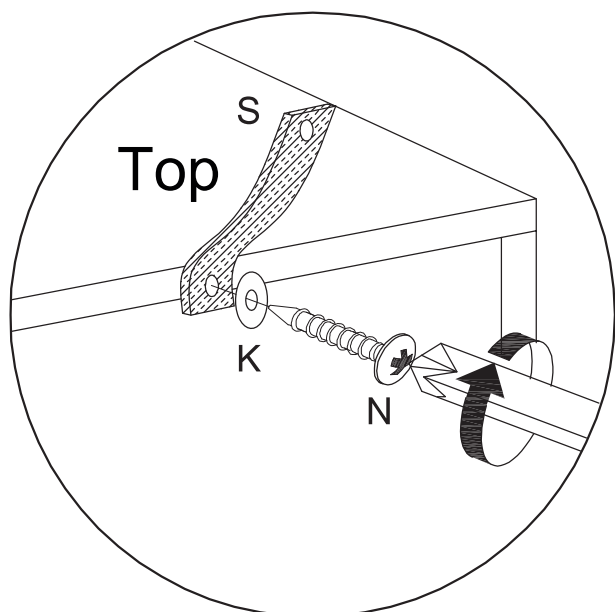


Detail 29

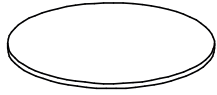
## WARNING

**Serious or fatal injuries can occur from furniture tipping over. To prevent the furniture from tipping over we recommend that it is permanently fixed to the wall.**

Wall fixings are not supplied with this product as different wall materials require different types of fixing devices. Please make sure you use fixings suitable for the walls in your home.

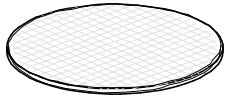


**ATTENTION**  
INFORMATION ABOUT HOLE COVERS

**U**

Hole Plugs (16X)

USE IN STEP 36

**D1**

Hole Plugs Líneo (16X)

USE IN STEP 31 AND 36

INFORMATIONS IMPORTANTES (FRENCH)	INFORMACIÓN IMPORTANTE (SPANISH)
<p style="text-align: center;"><b>IMPORTANTE POUR USAGE DOMESTIQUE UNIQUEMENT VEUILLEZ LIRE AVANT DE CONTINUER</b></p> <p>Après avoir déballé ce produit, veuillez conserver l'emballage d'origine au cas où il devrait être retourné pour une raison quelconque. Veuillez vous assurer que tous les accessoires et pièces sont présents avant de commencer l'assemblage. Ne traînez ou ne poussez jamais les produits car cela pourrait endommager les joints et les rendre de qualité inférieure. Nous vous recommandons fortement de garder les enfants éloignés de votre zone de travail. Nous vous recommandons de poser une couverture ou un drap sur le sol pour éviter d'endommager à la fois votre sol et les produits. Assemblez ce produit aussi près que possible de sa position finale. Ne placez pas ce produit à côté d'un radiateur ou en plein soleil. Ne traînez pas et ne poussez pas d'objets sur votre meuble brillant car cela pourrait rayer la surface. Le bois est un produit naturel et peut se dilater s'il est exposé à l'humidité et peut rétrécir ou se fissurer s'il est exposé à la chaleur. Par conséquent, il est recommandé de maintenir la température ambiante, sans fluctuations brusques de température. Assurez-vous que tout déversement est immédiatement essuyé. Ne placez pas d'objets chauds ou froids directement sur la surface, utilisez un set de table ou des marques se produiront. Pour le nettoyage général, utilisez un chiffon doux en coton ou en microfibre et n'utilisez aucun détergent. De temps en temps, il peut être nécessaire de resserrer les raccords, des inspections régulières doivent être effectuées. Ne placez pas l'appareil sur un sol mouillé ou humide, car des taches pourraient apparaître sur votre sol.</p> <p style="text-align: center;"><b>ADVERTENCIA (ANTI-BASCULEMENT)</b></p> <p>Des blessures graves, voire mortelles, peuvent survenir en cas de basculement d'un meuble. Pour éviter que le meuble ne bascule, nous recommandons de le fixer de manière permanente au mur.</p> <p>Les fixations murales ne sont pas fournies avec ce produit, car les différents matériaux de mur nécessitent différents types de dispositifs de fixation. Veuillez vous assurer d'utiliser des fixations adaptées aux murs de votre maison. Veuillez vous référer à la dernière page.</p>	<p style="text-align: center;"><b>IMPORTANTE SOLO PARA USO DOMÉSTICO LEER ANTES DE CONTINUAR</b></p> <p>Después de desembalar este producto, conserve el embalaje original por si necesita devolverlo por cualquier motivo. Asegúrese de que todos los accesorios y piezas estén presentes antes de comenzar con el montaje. Nunca arrastre ni empuje los productos, ya que esto podría dañar las juntas y hacerlos de peor calidad. Recomendamos encarecidamente que mantenga a los niños alejados de su área de trabajo. Recomendamos que coloque una manta o sábana en el suelo para evitar dañar tanto el suelo como los productos. Monte este producto lo más cerca posible de su posición final. No coloque este producto junto a un radiador o bajo la luz solar directa. No arrastre ni empuje elementos sobre sus muebles de alto brillo, ya que esto puede hacer que la superficie se raye. La madera es un producto natural y puede expandirse si se expone a la humedad y puede encogerse o agrietarse si se expone al calor. Por lo tanto, se recomienda mantener la temperatura ambiente, sin fluctuaciones repentinas de temperatura. Asegúrese de limpiar cualquier derrame de inmediato. No coloque elementos calientes o fríos directamente sobre la superficie, utilice un mantel individual o se producirán marcas. Para la limpieza general, utilice un paño suave de algodón o microfibra y no utilice detergentes de ningún tipo. De vez en cuando puede ser necesario apretar los accesorios; se deben realizar inspecciones periódicas. No lo coloque sobre un suelo húmedo o mojado, ya que podría mancharlo.</p> <p style="text-align: center;"><b>ADVERTENCIA (ANTI-VUELCO)</b></p> <p>El vuelco de los muebles puede provocar lesiones graves o fatales. Para evitar que los muebles se vuelquen, recomendamos fijarlos permanentemente a la pared.</p> <p>Este producto no incluye fijaciones de pared, ya que los distintos materiales de pared requieren distintos tipos de dispositivos de fijación. Asegúrese de utilizar fijaciones adecuadas para las paredes de su hogar. Veuillez vous référer à la dernière page.</p>
<p style="text-align: center;"><b>WICHTIGE INFORMATIONEN (GERMAN)</b></p> <p style="text-align: center;"><b>WICHTIGUR FÜR DEN HAUSHALTSGEBRAUCH BITTE LESEN SIE, BEVOR SIE FORTFAHREN</b></p> <p>Bewahren Sie nach dem Auspacken dieses Produkts die Originalverpackung auf, falls es aus irgendeinem Grund zurückgegeben werden muss. Bitte stellen Sie sicher, dass alle Beschläge und Teile vorhanden sind, bevor Sie mit der Montage beginnen. Ziehen oder schieben Sie Produkte niemals, da dies zu Schäden an den Verbindungen führen und die Qualität beeinträchtigen könnte. Wir empfehlen dringend, Kinder von Ihrem Arbeitsbereich fernzuhalten. Wir empfehlen, eine Decke oder ein Laken auf den Boden zu legen, um Schäden an Ihrem Boden und den Produkten zu vermeiden. Montieren Sie dieses Produkt so nah wie möglich an seiner endgültigen Position. Stellen Sie dieses Produkt nicht neben eine Heizung oder in direktes Sonnenlicht. Ziehen oder schieben Sie keine Gegenstände über Ihre Hochglanzmöbel, da dies zu Kratzern auf der Oberfläche führen kann. Holz ist ein Naturprodukt und kann sich bei Feuchtigkeit ausdehnen und bei Hitze schrumpfen oder reißen. Daher wird empfohlen, die Raumtemperatur beizubehalten und plötzliche Temperaturschwankungen zu vermeiden. Stellen Sie sicher, dass verschüttete Flüssigkeiten sofort abgewischt werden. Stellen Sie keine heißen oder gekühlten Gegenstände direkt auf die Oberfläche. Verwenden Sie ein Platzdeckchen, da sonst Flecken entstehen. Verwenden Sie zur allgemeinen Reinigung ein weiches Baumwoll- oder Mikrofaser Tuch und keinerlei Reinigungsmittel. Von Zeit zu Zeit kann es erforderlich sein, die Armaturen nachzuziehen. Regelmäßige Inspektionen sollten durchgeführt werden. Stellen Sie das Gerät nicht auf einen nassen oder feuchten Boden, da es sonst zu Flecken kommen kann.</p> <p style="text-align: center;"><b>WARNUNG (KIPPSCHUTZ)</b></p> <p>Durch das Umkippen von Möbeln können schwere oder tödliche Verletzungen entstehen. Um ein Umkippen der Möbel zu verhindern, empfehlen wir, diese dauerhaft an der Wand zu befestigen. Wandbefestigungen werden nicht mit diesem Produkt mitgeliefert, da unterschiedliche Wandmaterialien unterschiedliche Arten von Befestigungsvorrichtungen erfordern. Bitte stellen Sie sicher, dass Sie Befestigungsvorrichtungen verwenden, die für die Wände in Ihrem Zuhause geeignet sind. Bitte beachten Sie die letzte Seite.</p>	<p style="text-align: center;"><b>INFORMAZIONI IMPORTANTI (ITALIAN)</b></p> <p style="text-align: center;"><b>IMPORTANTE, SOLO PER USO DOMESTICO SI PREGA DI LEGGERE PRIMA DI CONTINUARE OLTRE</b></p> <p>Dopo aver disimballato questo prodotto, conservare la confezione originale nel caso in cui debba essere restituito per qualsiasi motivo. Assicurarsi che tutti i raccordi e le parti siano presenti prima di iniziare il montaggio. Non trascinare o spingere mai i prodotti poiché ciò potrebbe danneggiare i giunti rendendoli di qualità inferiore. Si consiglia vivamente di tenere i bambini lontani dall'area di lavoro. Si consiglia di stendere una coperta o un lenzuolo sul pavimento per evitare danni sia al pavimento che ai prodotti. Montare questi prodotti il più vicino possibile alla loro posizione finale. Non posizionare questo prodotto accanto a un radiatore o alla luce diretta del sole. Non trascinare o spingere oggetti sui mobili lucidi poiché ciò potrebbe causare graffi sulla superficie. Il legno è un prodotto naturale e può espandersi se esposto all'umidità e può restringersi o rompersi se esposto al calore. Pertanto si consiglia di mantenere la temperatura ambiente, senza improvvise fluttuazioni di temperatura. Assicurarsi che eventuali fuoriuscite vengano immediatamente pulite. Non posizionare oggetti caldi o freddi direttamente sulla superficie, utilizzare un sottopiatto o si verificheranno delle marcature. Per la pulizia generale, utilizzare un panno morbido di cotone o microfibra e non utilizzare detergenti di alcun tipo. Di tanto in tanto potrebbe essere necessario stringere i raccordi, è necessario effettuare ispezioni regolari. Non posizionare su un pavimento bagnato o umido poiché potrebbero verificarsi macchie sul pavimento.</p> <p style="text-align: center;"><b>AVVERTIMENTO (ANTIRIBALTAMENTO)</b></p> <p>Il ribaltamento dei mobili può provocare lesioni gravi e mortali. A evitare che i mobili si ribaltino, si consiglia di farlo fissato permanentemente al muro.</p> <p>I fissaggi a parete non sono forniti con questo prodotto in quanto parete diversa i materiali richiedono diversi tipi di dispositivi di fissaggio. Per favore, fallo assicurati di utilizzare fissaggi adatti alle pareti della tua casa. Si prega di fare riferimento all'ultima pagina.</p>