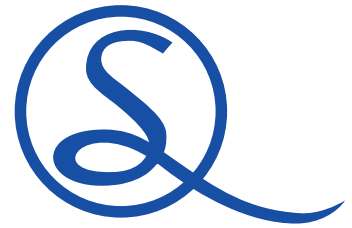
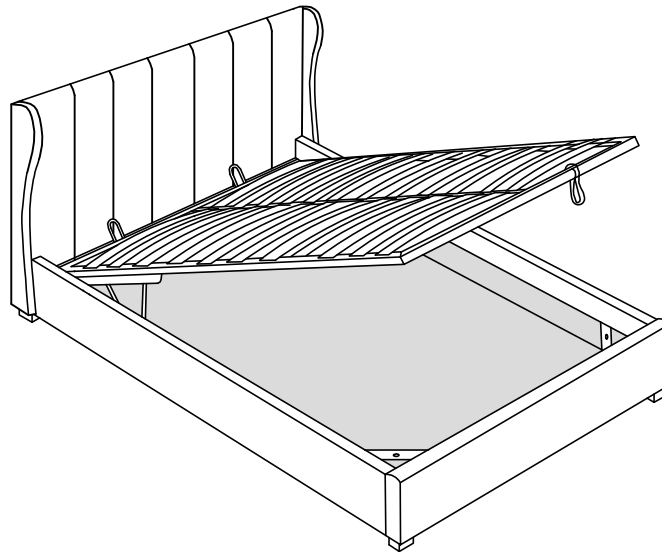


# PINK VELVET FABRIC AMELIA 4'6" PLUS BED ASSEMBLY INSTRUCTIONS



**MAX BED  
WEIGHT**



**MAX MATTRESS  
WEIGHT**

**FOR DOMESTIC USE ONLY  
IMPORTANT**

**PLEASE READ BEFORE YOU CONTINUE FURTHER**

THE PRODUCT YOU HAVE PURCHASED WILL GIVE YOU MANY YEARS OF SERVICE IF YOU FOLLOW THE GUIDELINES FOR ITS SAFE ASSEMBLY AND PERIODIC MAINTENANCE AND CLEANING.

ASSEMBLE ON A SOFT CLEAN SURFACE.

DO NOT USE ANY TOOLS OTHER THAN THOSE SHOWN.

ANY SPANNERS OR ALLEN KEYS REQUIRED ARE INCLUDED WITH THE FITTINGS KIT.

DO NOT FOR ANY REASON USE A POWER TOOL TO ASSEMBLE THIS PRODUCT . ITS USE WILL INVALIDATE ANY CLAIM YOU MAY HAVE AND COULD MAKE THIS PRODUCT UNSAFE.

DEPENDING ON THE AMOUNT OF USE THIS PRODUCT RECEIVES IT MAY BE NECESSARY TO TIGHTEN UP THE FIXINGS FROM TIME TO TIME. THIS IS COMPLETELY NORMAL FOR ANY FLAT PACK FURNITURE.

**FOR CLEANING YOU MAY USE A DAMP CLOTH(NOT WET). DO NOT USE POLISH,DETERGENT OR CHEMICAL CLEANERS.**

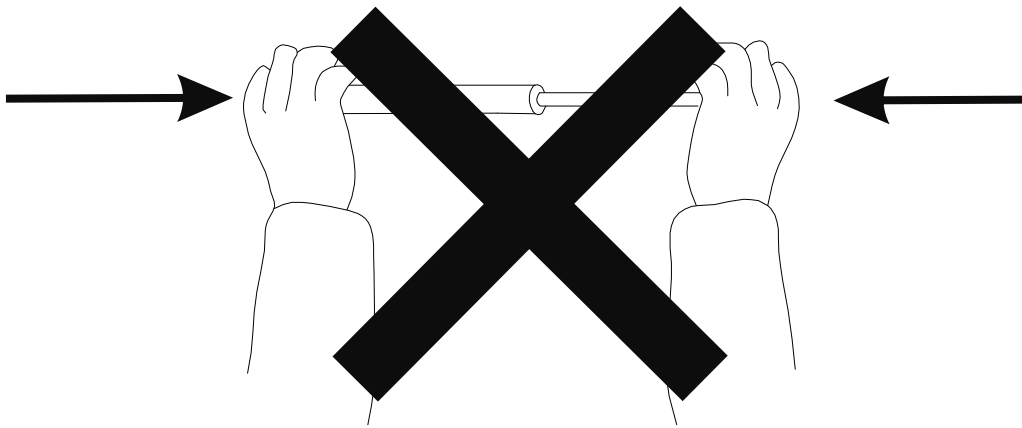
THIS PRODUCT MAY STAIN OR MARK IF ALLOWED TO COME INTO CONTACT WITH WET OR DAMP OBJECTS AS MATERIALS USED HAVE NOT BEEN SCOTCH GUARDED.

THE SURFACE OF THIS ITEM IS NOT HEAT RESISTANT, ALWAYS USE A PLACE MAT UNDER **HOT** OR COLD ITEMS. PREVENT MARKING

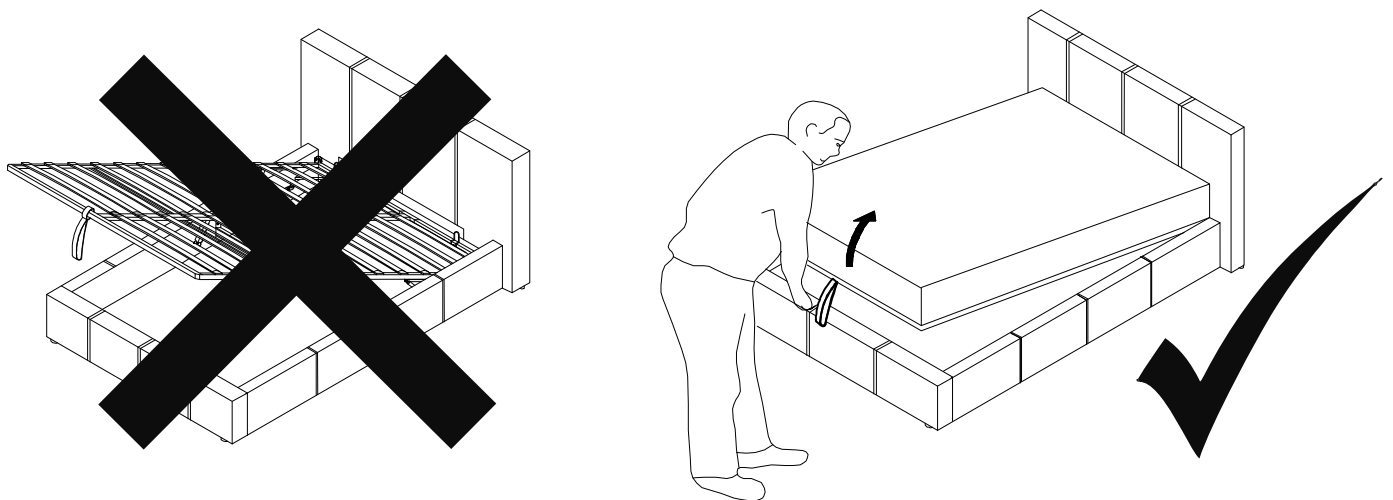
# **IMPORTANT INFORMATION !**

## **GAS STRUT 650N MAXIMUM MATTRESS WEIGHT 45KG !!**

The gas lifts used in the construction of this product are extremely strong and cannot be operated by hand when not fitted to the ottoman hinges. All gas lifts are tested in the factory for correct pressure and operation before use.

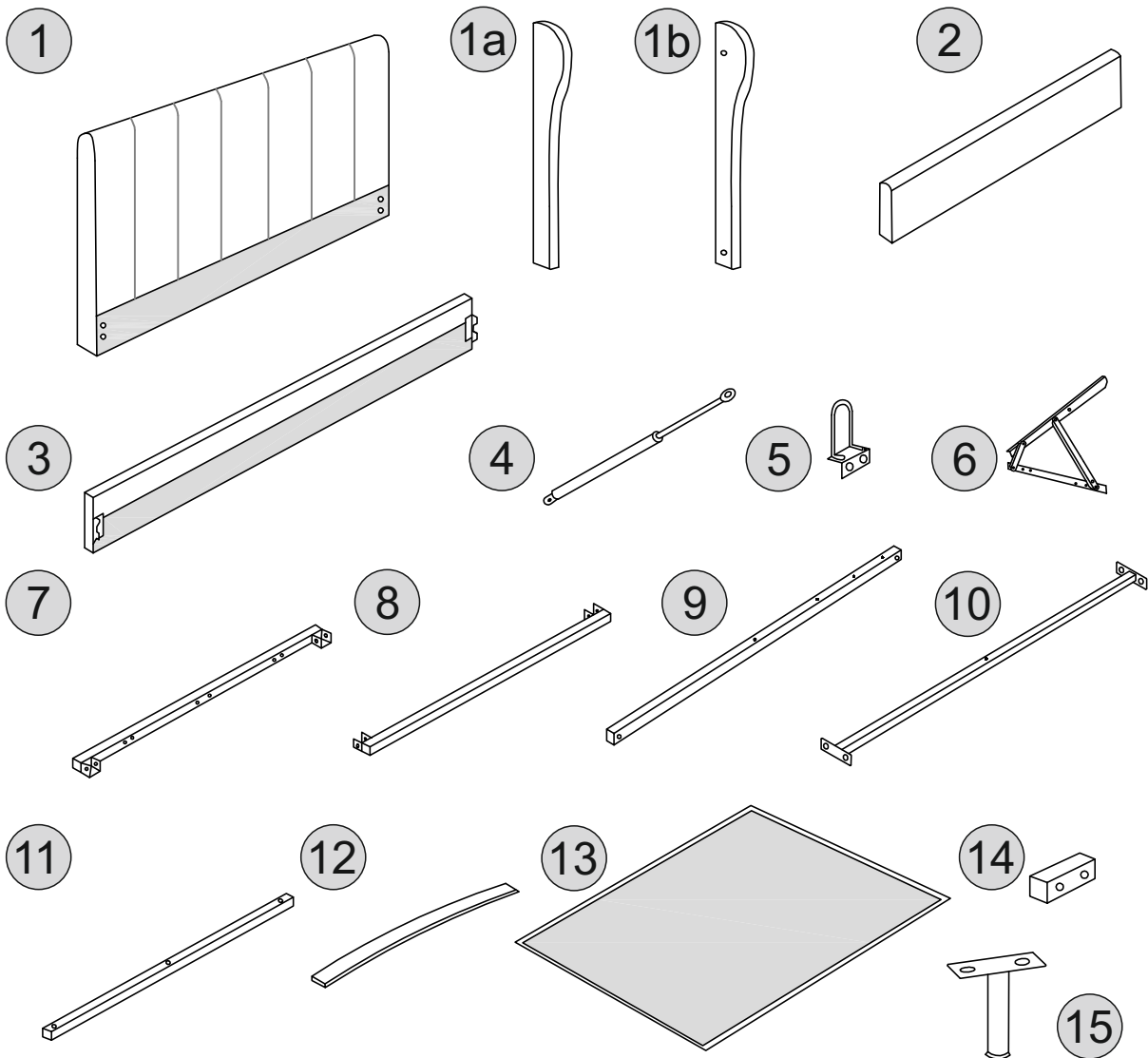


You must ensure the **MATTRESS** is on the bed frame before lifting the mechanism. Always use the handle to open and close the ottoman. **FAILURE TO DO SO MAY RESULT IN INJURY.**



Initially it might appear that the gas lifts are very stiff when opening and closing the ottoman frame, **THIS IS NORMAL.**

After operating the ottoman a few times, the movement of the gas lifts and the opening and closing of the ottoman will become easier.





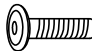









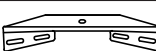



## PART LIST

Part Number	Part Code	Part Description	Quantity	Carton
1	S200-203-103-YF1-01	Headboard	1	1/2
1a	S200-203-103-YF1-02A	Left Wing	1	1/2
1b	S200-203-103-YF1-02B	Right Wing	1	1/2
2	S200-203-103-YF1-02	Footboard	1	1/2
3	S200-203-103-YF1-03	Siderail (Left & Right)	2	2/2
4	S200-203-103-YF1-04	Gas Lift	2	2/2
5	S200-203-103-YF1-05	Mattress Support	2	1/2
6	S200-203-103-YF1-06	Hinge Left & Right	2	2/2
7	S200-203-103-YF1-07	Base Front Bar	1	2/2
8	S200-203-103-YF1-08	Base Back Bar	1	2/2
9	S200-203-103-YF1-09	Base Side Bar	2	2/2
10	S200-203-103-YF1-10	Base Centre Bar	1	2/2
11	S200-203-103-YF1-11	Centre Cross bar	1	2/2
12	S200-203-103-YF1-12	Wooden Slats	26	1/2
13	S200-203-103-YF1-13	Velcro Base Sheet	1	1/2
14	S200-203-103-YF1-14	Base Support Bar	1	1/2
15	S200-203-103-YF1-15	Centre Support Leg	2	1/2

# HARDWARE LIST

**(LOCATED WITHIN CARTON 1)**

No	Part Name		Qty	Carton
A	5/16 x 60mm Bolt		3 Pcs	1/2
B	5/16 x 45mm Bolt		18 Pcs	1/2
C	1/4 x 15mm Bolt		16 Pcs	1/2
D	1/4 x 20mm Bolt		14 Pcs	1/2
E	5/16 x 25mm Bolt		8 Pcs	1/2
F	M8 Washer		36 Pcs	1/2
G	Nut		15 Pcs	1/2
H	Adjustable Feet		4 Pcs	1/2
I	Base Lift Strap		1 Pc	1/2
J	Plastic Centre Cap		13 Pcs	1/2
K	Plastic End Cap		26 Pcs	1/2
L	M6 Allen Key		1 Pc	1/2
M	M8 Allen Key		1 Pc	1/2
N	Spanner		1 Pc	1/2
O	Corner Bracket		2 Pcs	1/2
P	100 x 25mm EVA Pad		4 Pcs	1/2

PLEASE CHECK THAT YOU HAVE ALL THE PARTS LISTED BEFORE YOU START ASSEMBLING, IF YOU DO FIND THAT SOMETHING IS MISSING, DO NOT CONTINUE ASSEMBLY. PLEASE CONTACT YOUR SUPPLIER IMMEDIATELY.

# STEP 1

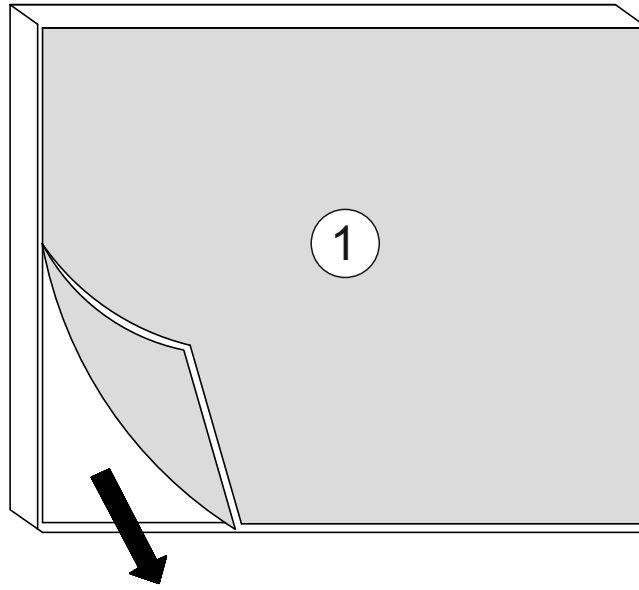
PARTS REQUIRED

1 - HEADBOARD x1

HARDWARE REQUIRED

TOOLS REQUIRED

Flip up the non woven fabric on the back of headboard and take out the wings & wooden slats.






# STEP 2

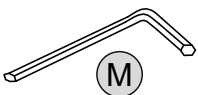
PARTS REQUIRED






1 - HEADBOARD x1

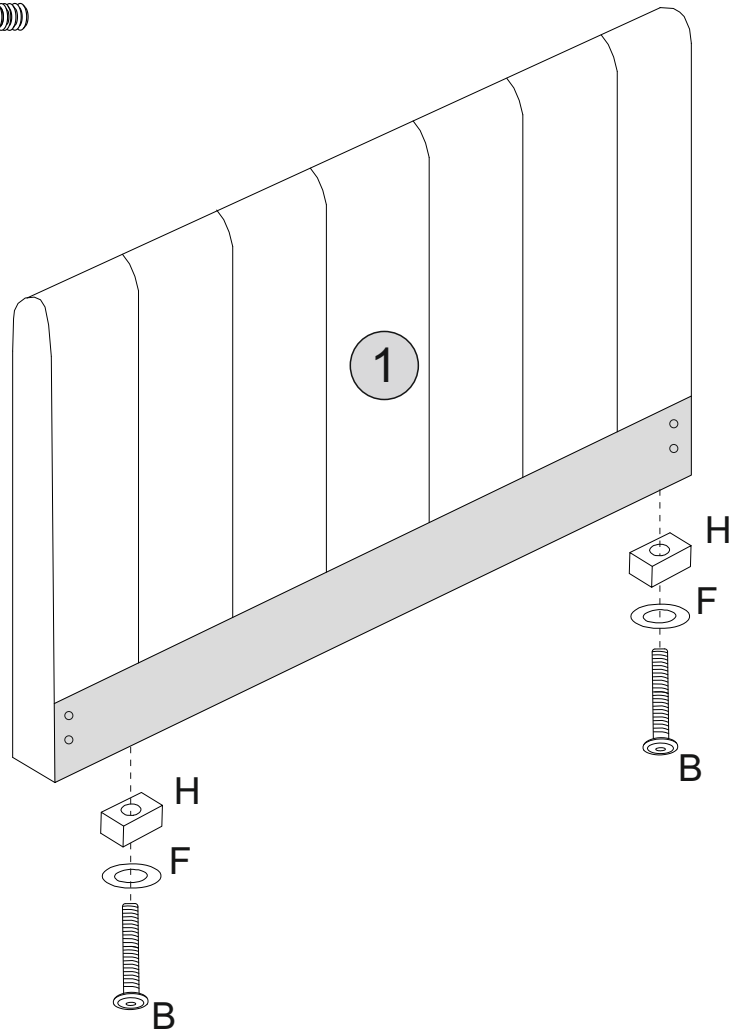
HARDWARE REQUIRED

B		02
F		02
H		02

TOOLS REQUIRED



- ~~~~  
5/16x60mm
-  5/16x45mm
- ~~~~  
1/4x15mm
- ~~~~  
1/4x20mm
- ~~~~  
5/16x25mm






# STEP 3

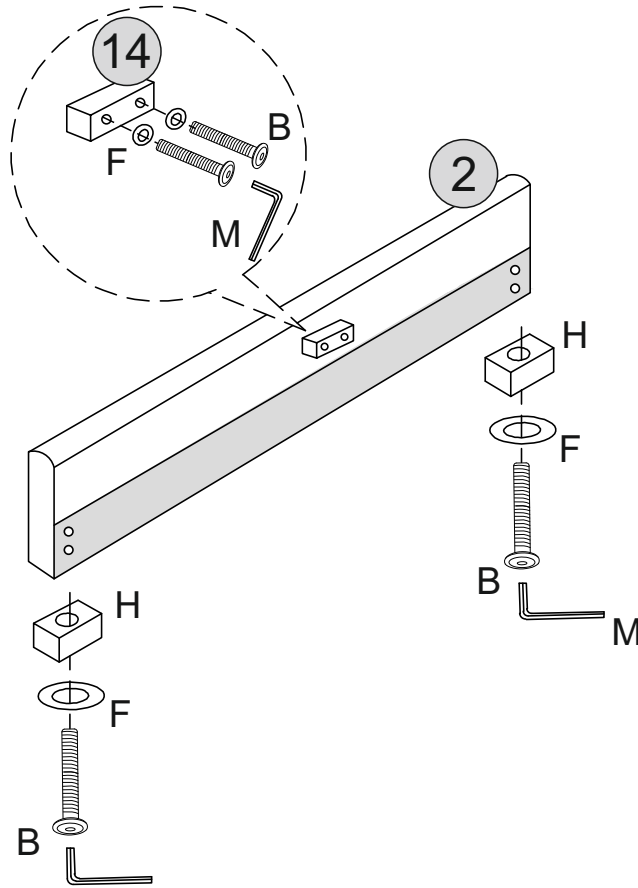
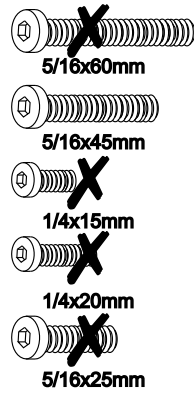
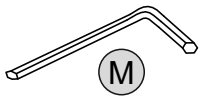
## PARTS REQUIRED

2 - FOOTBOARD	x1
14- BASE SUPPORT BAR	x1

## HARDWARE REQUIRED

B		04
F		04
H		02

## TOOLS REQUIRED



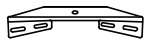


# STEP 4

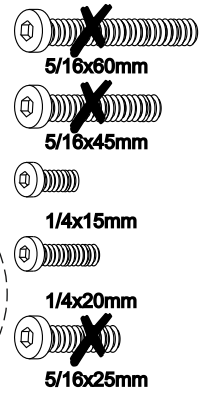
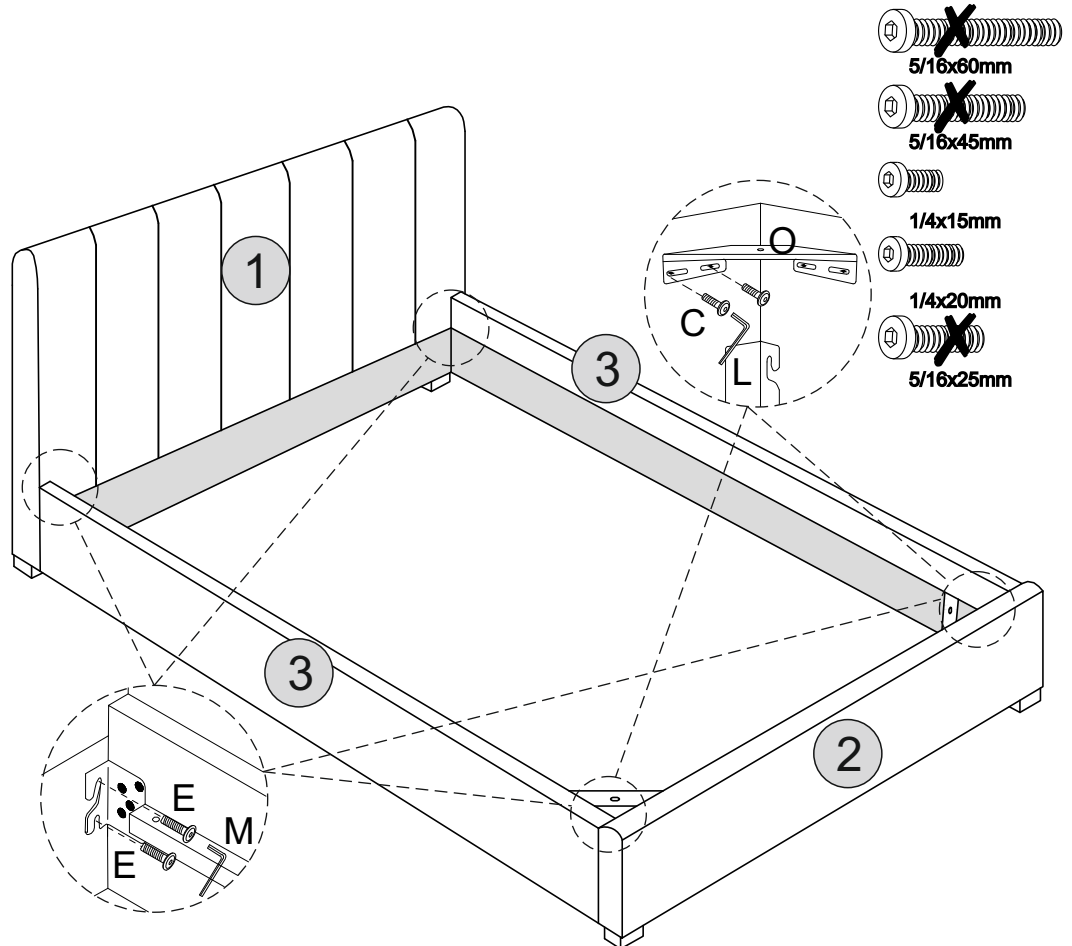
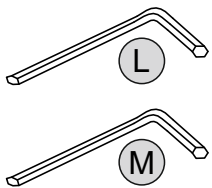
## PARTS REQUIRED

1 - HEADBOARD	x1
2 - FOOTBOARD	x1
3 - SIDERAIL	x2

## HARDWARE REQUIRED

C		08
E		04
O		02

## TOOLS REQUIRED

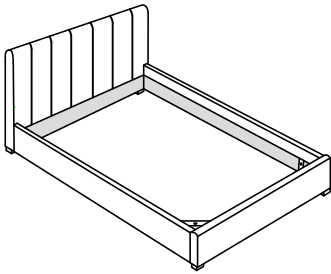


# STEP 5

## PARTS REQUIRED

1a - LEFT WING x1

1b - RIGHT WING x1

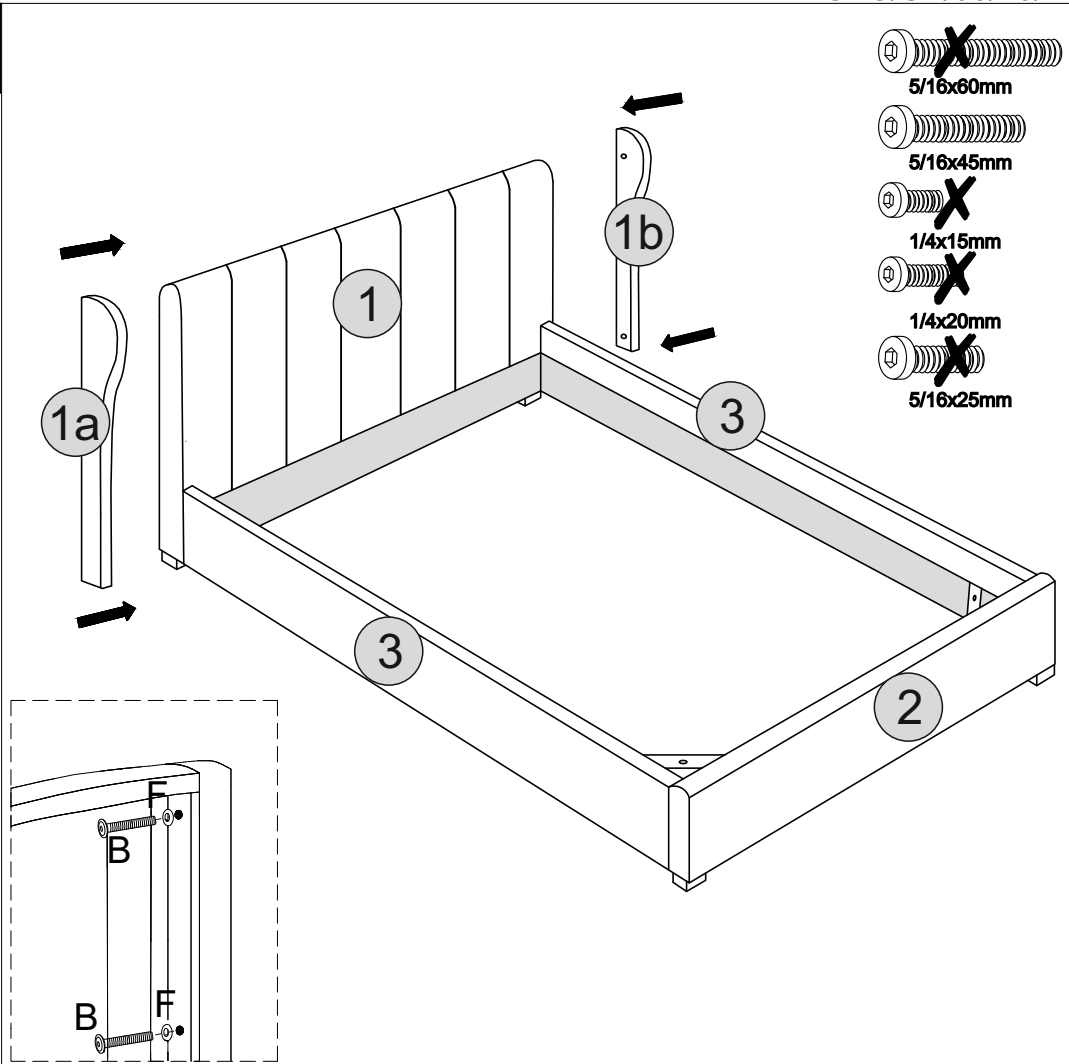
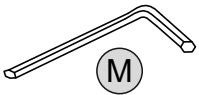


## HARDWARE REQUIRED

B  04

F  04

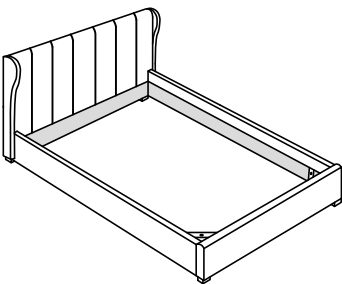
## TOOLS REQUIRED



# STEP 6

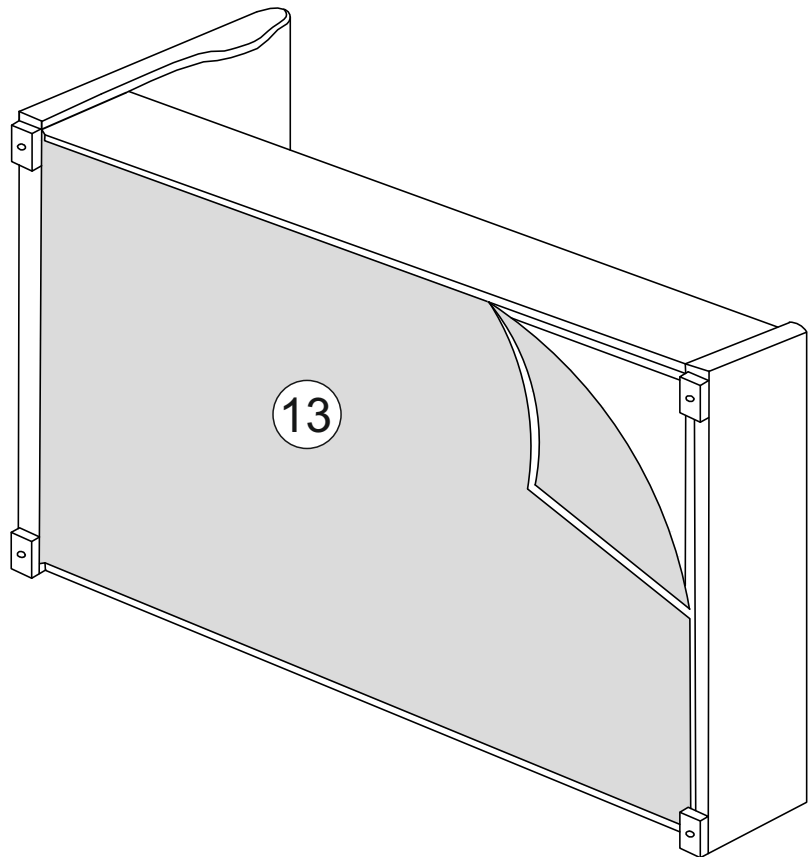
## PARTS REQUIRED

13- VELCRO BASE SHEET x1



## HARDWARE REQUIRED

## TOOLS REQUIRED



# STEP 7

## PARTS REQUIRED

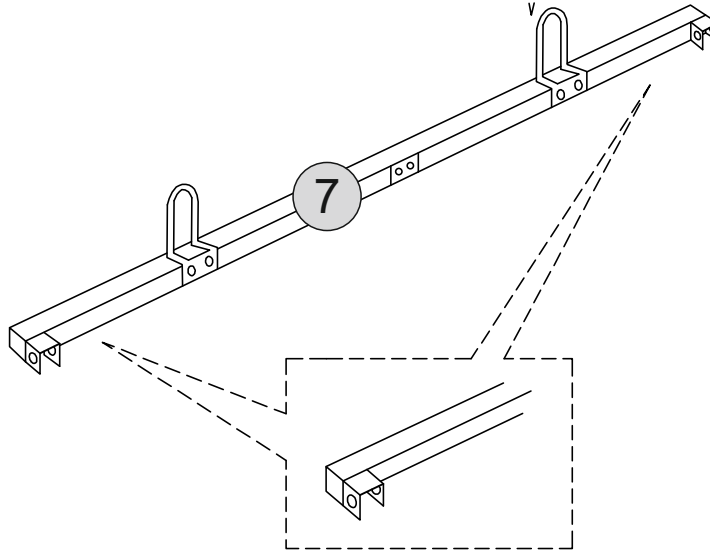
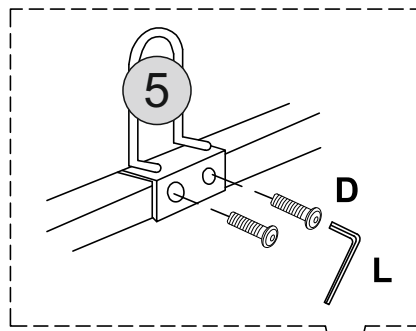
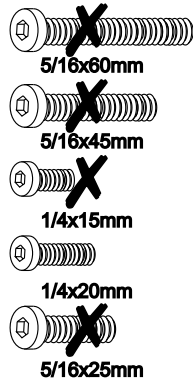
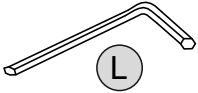
5 - MATTRESS SUPPORT x2

7 - BASE FRONT BAR x1

## HARDWARE REQUIRED

D  04

## TOOLS REQUIRED



# STEP 8

## PARTS REQUIRED

7 - BASE FRONT BAR x1

9 - BASE SIDE BAR x2

10 - BASE CENTRE BAR x1

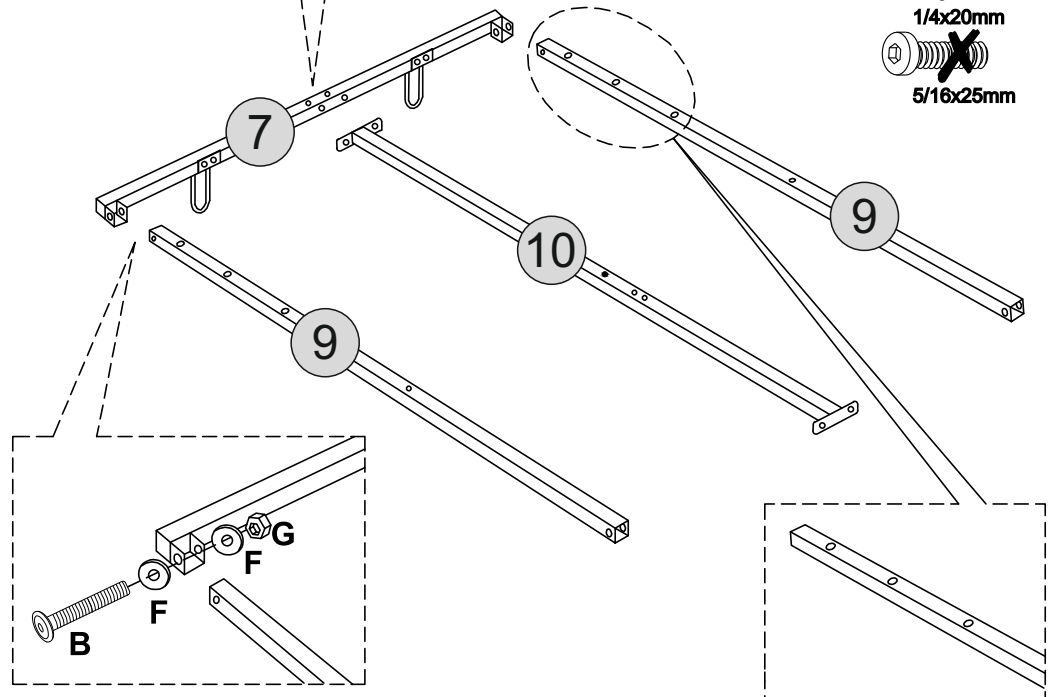
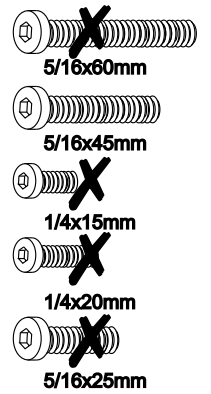
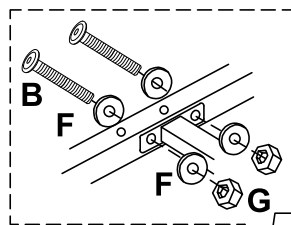
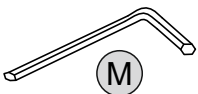
## HARDWARE REQUIRED

B  04

F  08

G  04

## TOOLS REQUIRED

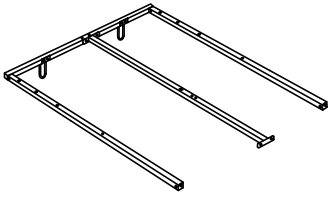


# STEP 9

## PARTS REQUIRED

8 - BASE BACK BAR x1

11- CENTRE CROSS BAR x1



## HARDWARE REQUIRED

A 03  
5/16x60mm

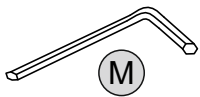
B 04  
5/16x45mm

F 14

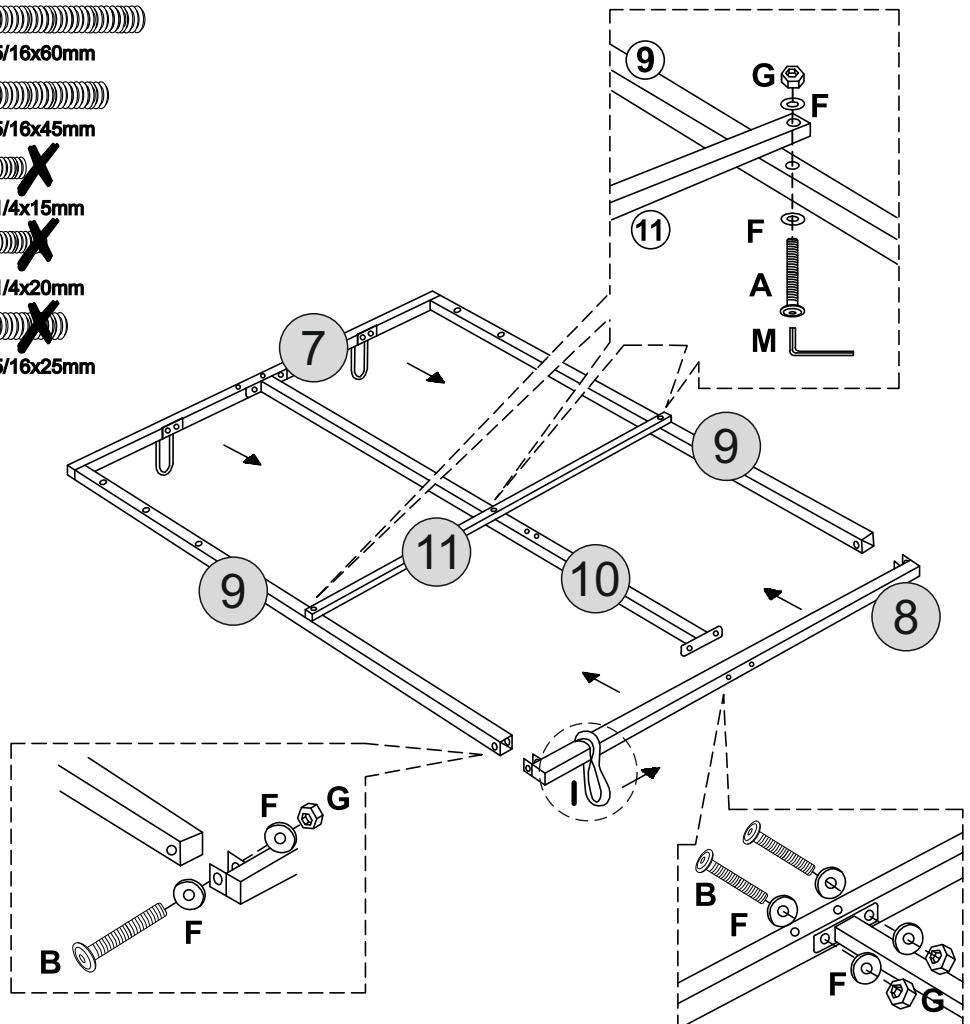
G 07

I 01

## TOOLS REQUIRED



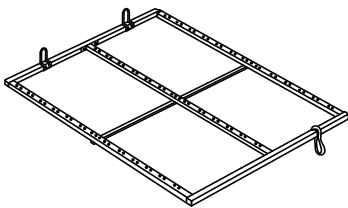
- 5/16x60mm
- 5/16x45mm
- ~~1/4x15mm~~
- ~~1/4x20mm~~
- ~~5/16x25mm~~



# STEP 10

## PARTS REQUIRED

15- CENTRE SUPPORT LEG x2



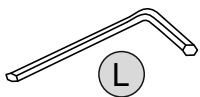
## HARDWARE REQUIRED

D 04  
1/4x20mm

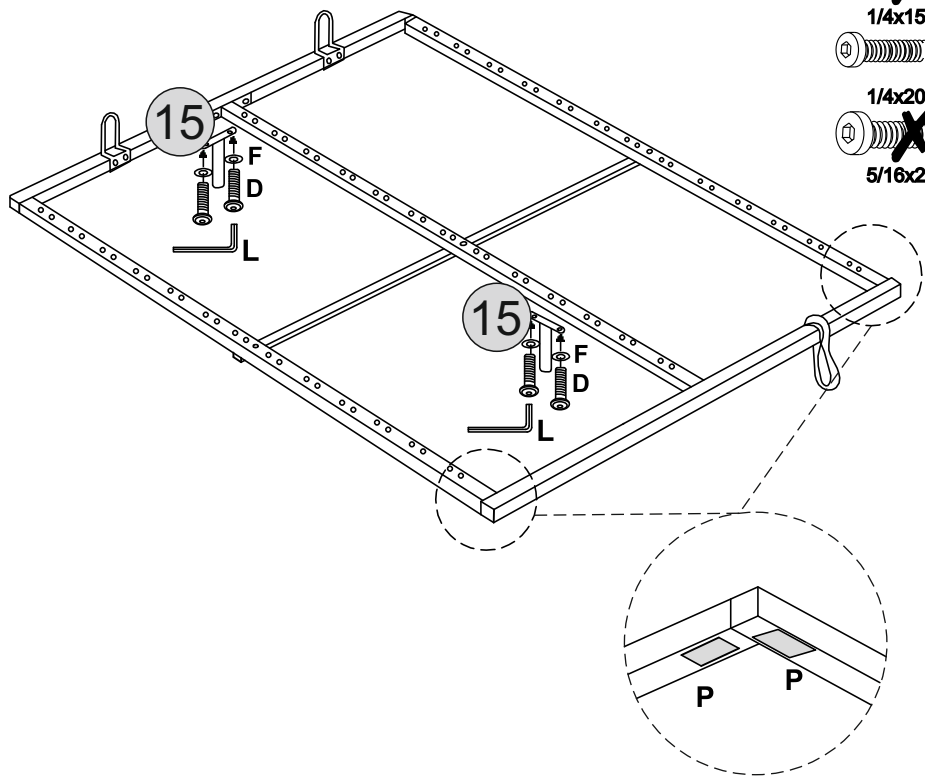
F 04

P 04

## TOOLS REQUIRED



- ~~5/16x60mm~~
- ~~5/16x45mm~~
- ~~1/4x15mm~~
- 
- ~~1/4x20mm~~
- ~~5/16x25mm~~

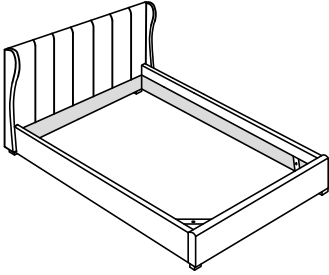


**ATTACH THE EVA PAD TO THE UNDERSIDE OF THE METAL TUBE**


# STEP 11

## PARTS REQUIRED

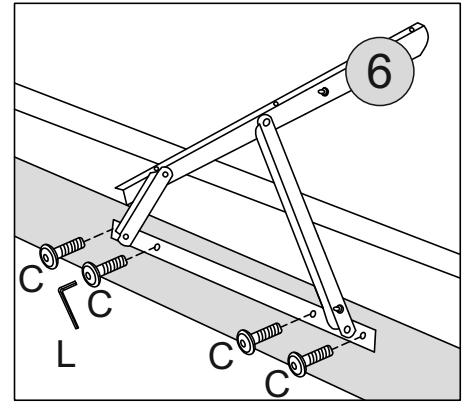
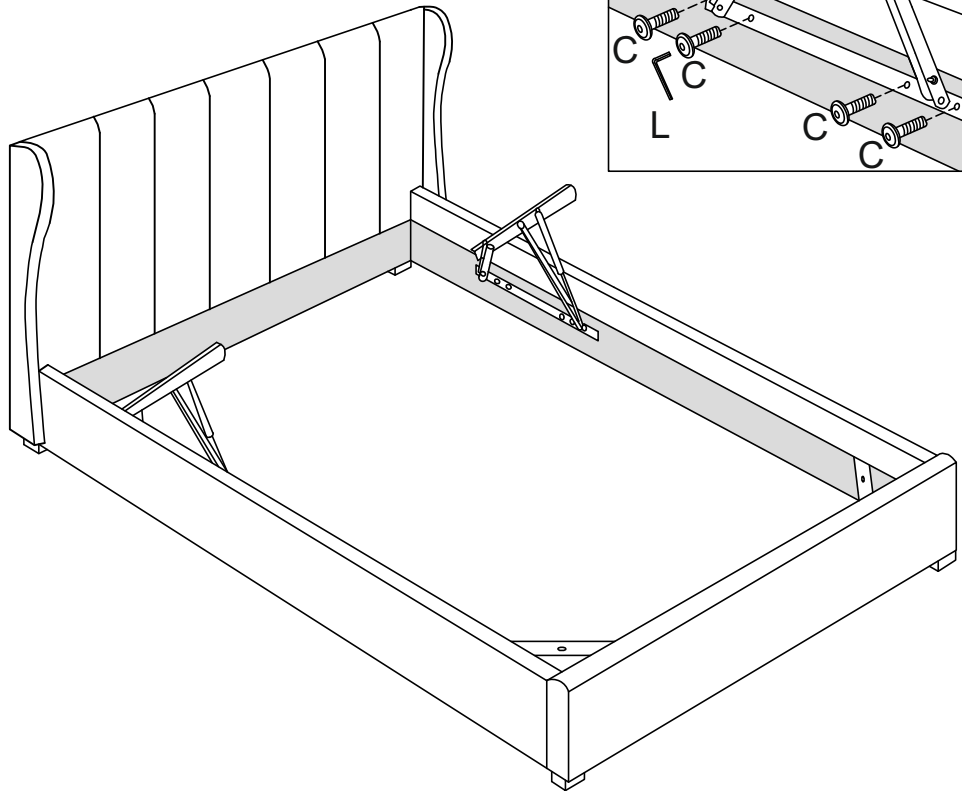
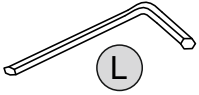
6 - HINGE LEFT & RIGHT x2



## HARDWARE REQUIRED

C  08

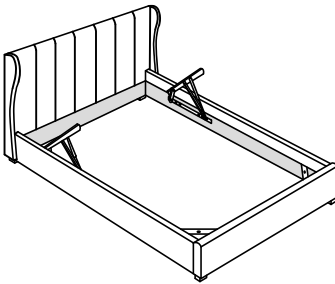
## TOOLS REQUIRED



# STEP 12

## PARTS REQUIRED

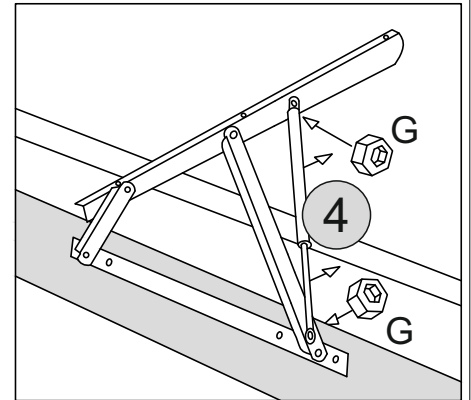
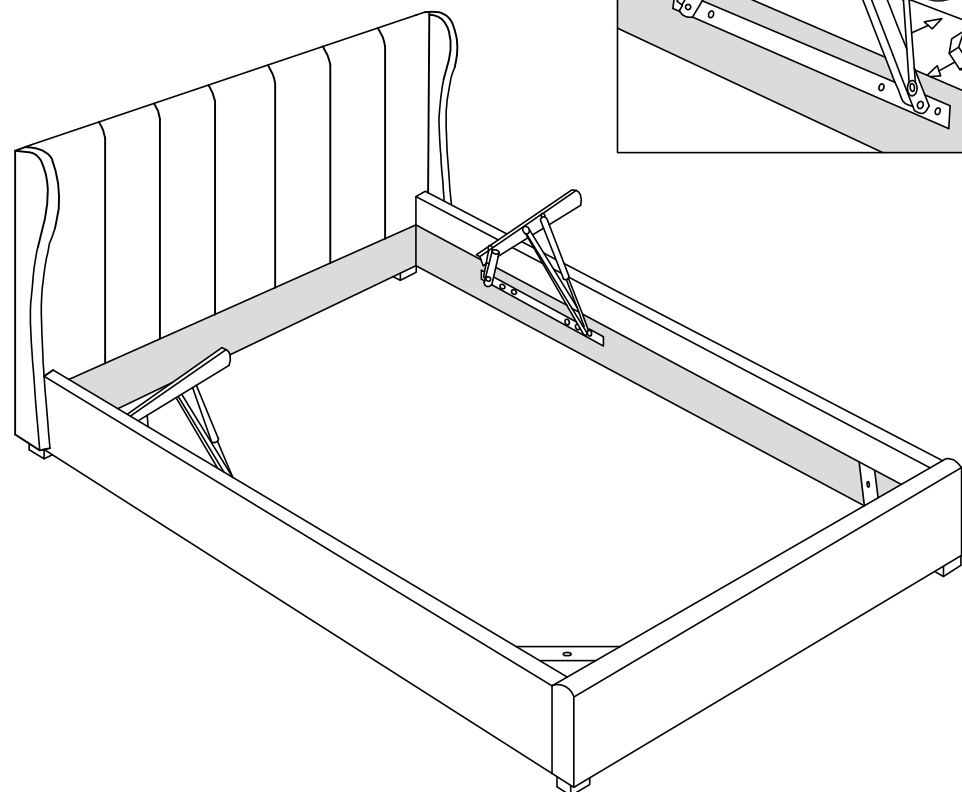
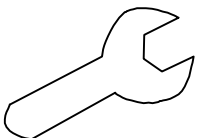
4 - GAS LIFT x2



## HARDWARE REQUIRED

G  04

## TOOLS REQUIRED

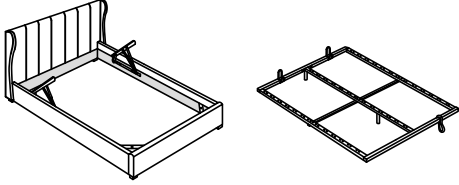


# STEP 13

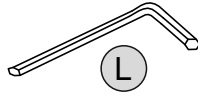
## HARDWARE REQUIRED






D		06
	1/4x20mm	

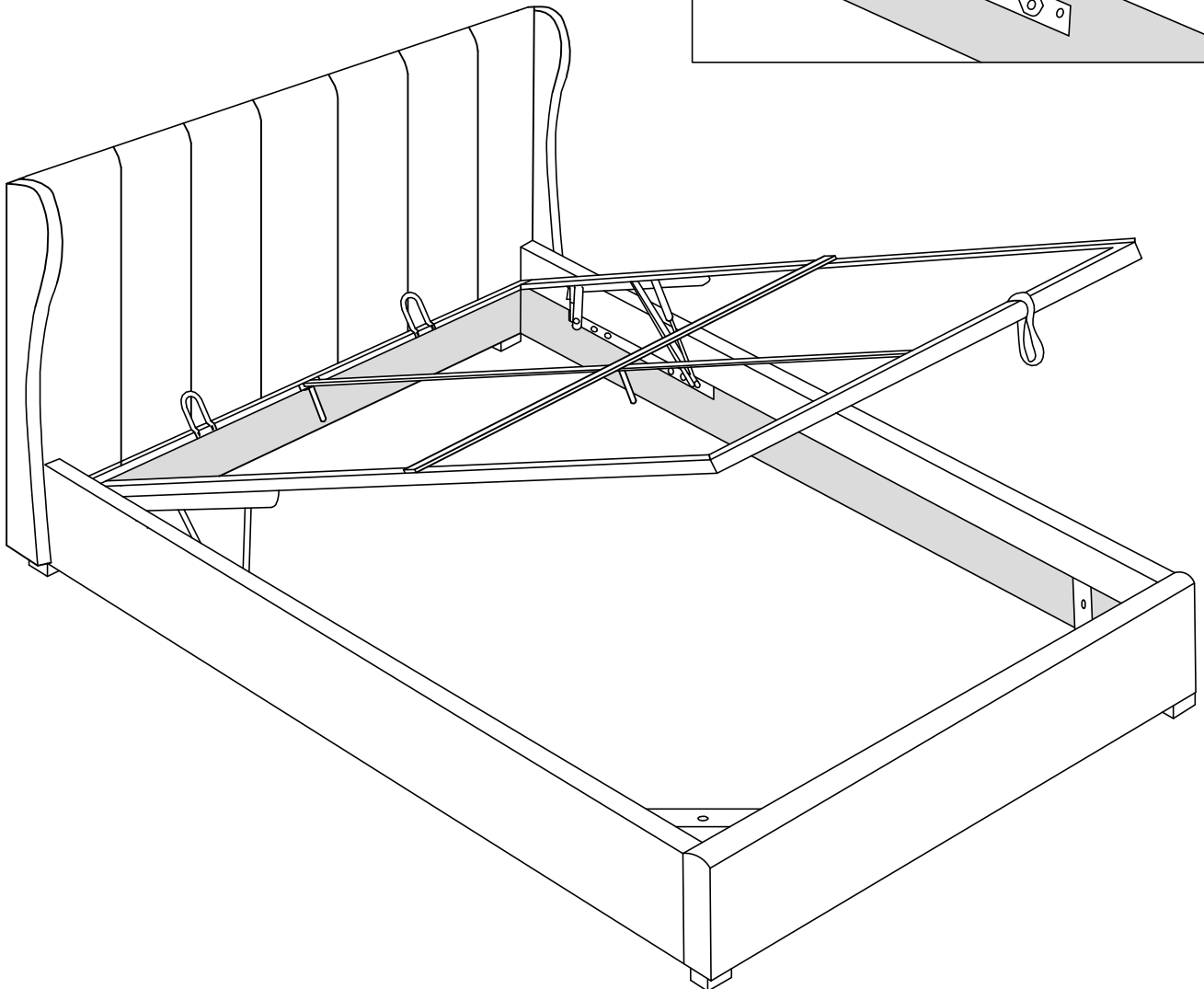
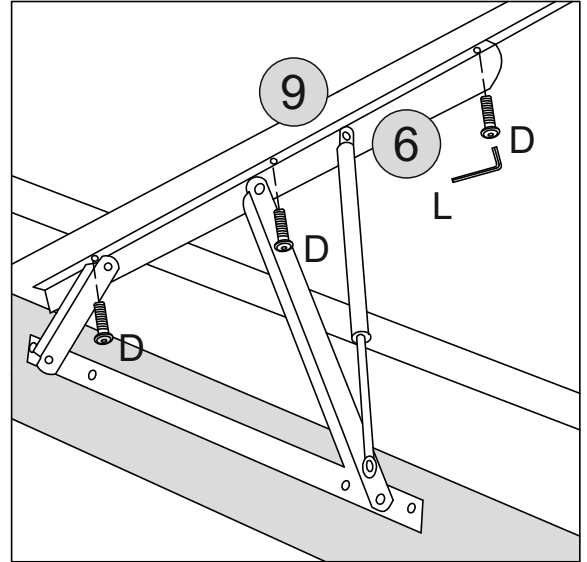
## PARTS REQUIRED



## TOOLS REQUIRED

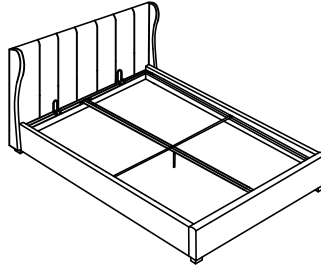


- ~~~~  
5/16x60mm
- ~~~~  
5/16x45mm
- ~~~~  
1/4x15mm
- 
- 1/4x20mm
- ~~~~  
5/16x25mm



# STEP 14

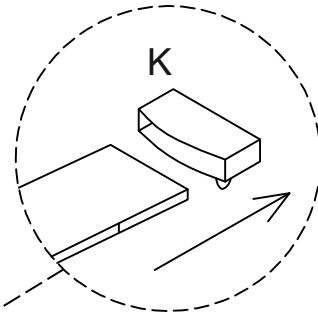
## PARTS REQUIRED



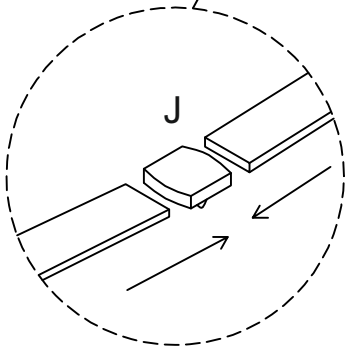
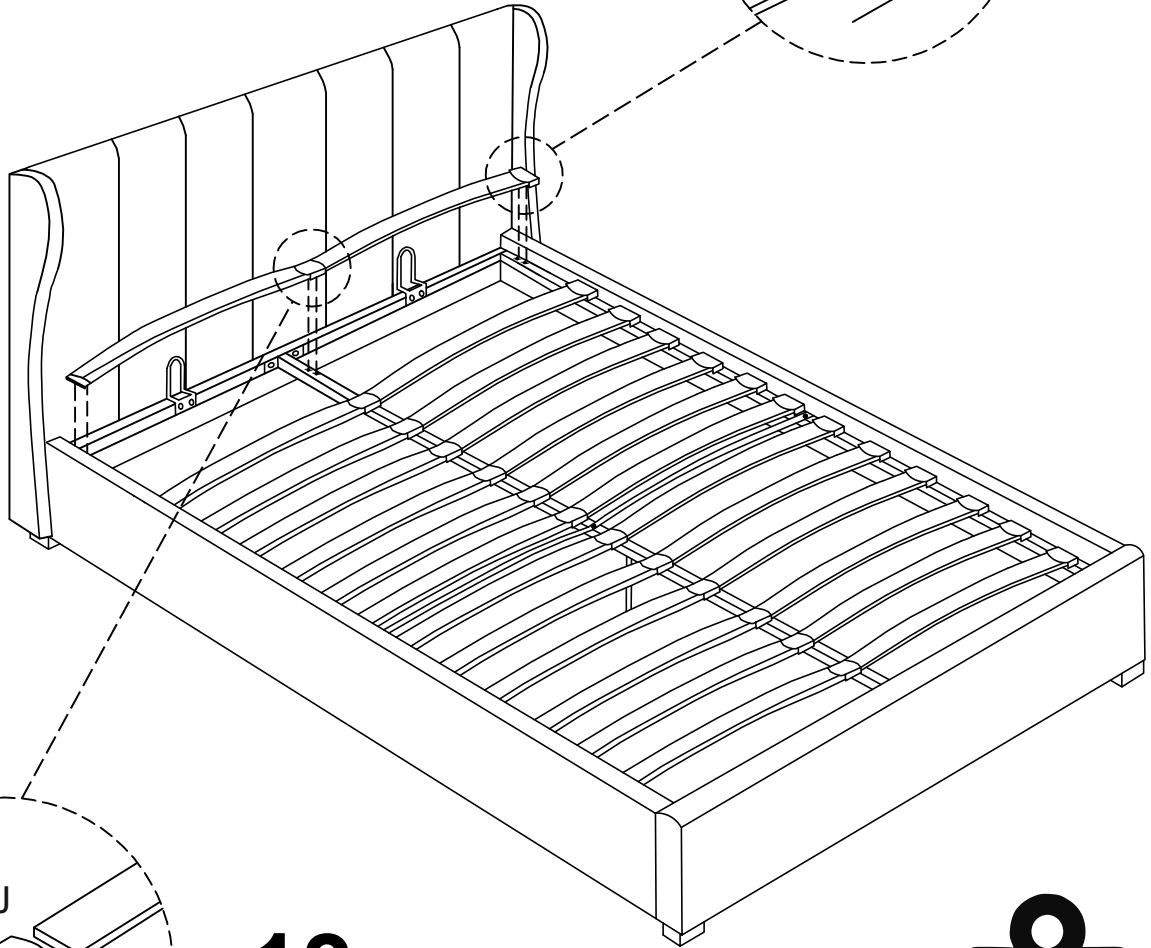
## HARDWARE REQUIRED

J		13
K		26

## TOOLS REQUIRED



**x26**



**x13**



**MAX BED WEIGHT**