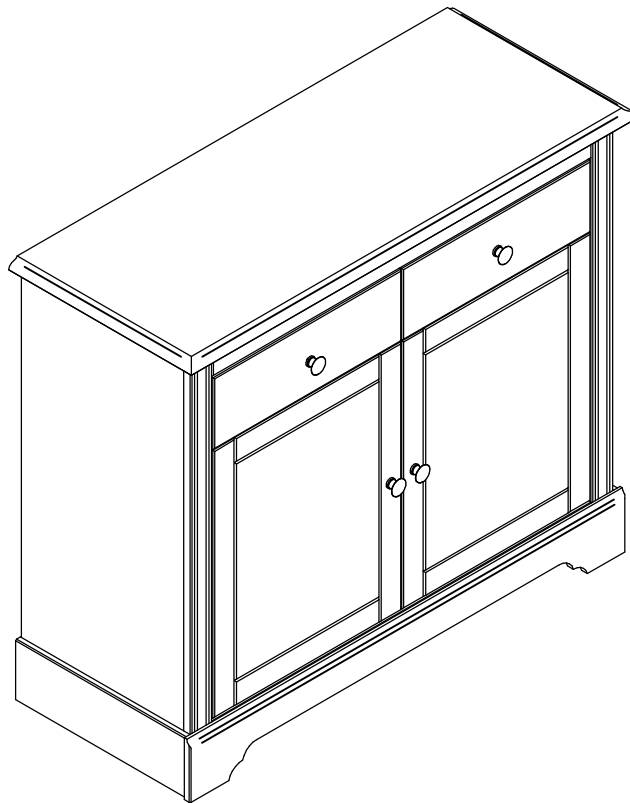


STRATFORD 2 DOOR 2 DRAWER SIDEBOARD ASSEMBLY INSTRUCTIONS



MAX DRAWER
WEIGHT

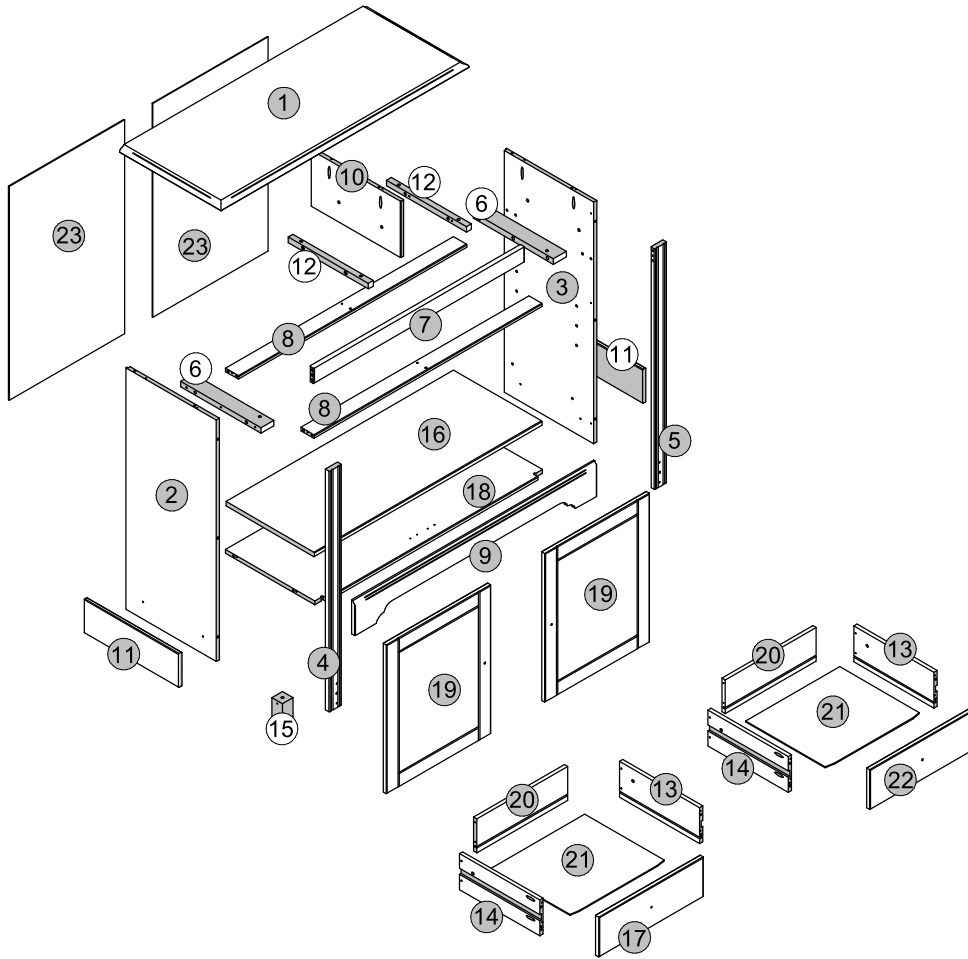
IMPORTANT FOR DOMESTIC USE ONLY

PLEASE READ BEFORE YOU CONTINUE FURTHER

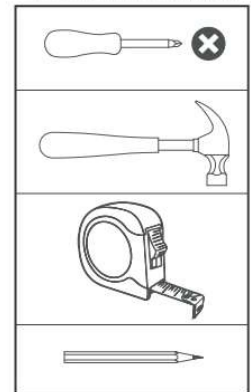
CARE AND MAINTENANCE

After unpacking this product please keep the original packaging in case it needs to be returned for any reason.

- Please ensure all fittings and parts are present before commencing with assembly.
- Never drag or push products as this could cause damage to the joints making it inferior.
- We strongly recommend that you keep children away from your work area.
- We recommend that you lay a blanket or sheet on the floor to avoid damage to both your floor and the product.
- Assemble this product as close to its final position as possible.
- Do not place this product next to a radiator or in direct sunlight.
- Do not drag or push items across your high gloss furniture as this may cause the surface to scratch
- Wood is a natural product and may expand if subjected to damp and may shrink or crack if subjected to heat. Therefore it is recommended that room temperature is maintained, with no sudden temperature fluctuations.
- Make sure any spillage is wiped off immediately.
- Do not place hot or chilled items directly on to the surface, use a place mat or marking will occur.
- For general cleaning use a soft cotton or micro fibre cloth, and do not use detergents of any kind.
- From time to time it may be necessary to tighten fittings, regular inspections should be carried out.
- Do not place on a wet or damp floor as staining may occur to your floor.



TOOLS REQUIRED







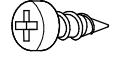
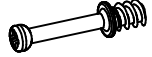

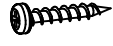

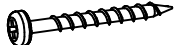

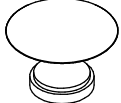
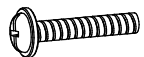
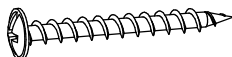
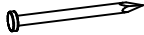



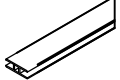
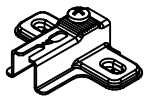
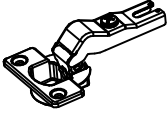
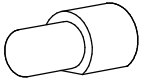

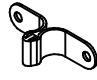


PARTS LIST

Please Note:

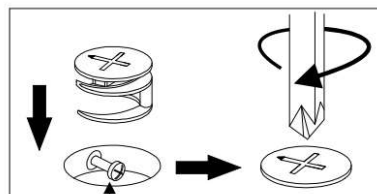
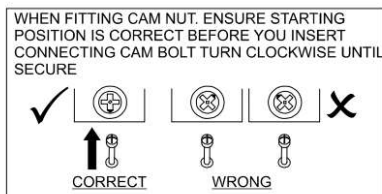
The below parts have all been stamped with the part number to help identify them during assembly.

Part Number	Part Code	Part Description	Quantity	Carton
1	S400-405-054-TR1-01	Top panel	01	1/1
2	S400-405-054-TR1-02	Left side	01	1/1
3	S400-405-054-TR1-03	Right side	01	1/1
4	S400-405-054-TR1-04	Left frame	01	1/1
5	S400-405-054-TR1-05	Right frame	01	1/1
6	S400-405-054-TR1-06	Large slide rail	02	1/1
7	S400-405-054-TR1-07	Top rail	01	1/1
8	S400-405-054-TR1-08	Back rail	02	1/1
9	S400-405-054-TR1-09	Baseboard	01	1/1
10	S400-405-054-TR1-10	Division	01	1/1
11	S400-405-054-TR1-11	Side frame	02	1/1
12	S400-405-054-TR1-12	Slide rail	02	1/1
13	S400-405-054-TR1-13	Right side drawer	02	1/1
14	S400-405-054-TR1-14	Left side drawer	02	1/1
15	S400-405-054-TR1-15	Central foot	01	1/1
16	S400-405-054-TR1-16	Shelf	01	1/1
17	S400-405-054-TR1-17	Left drawer front	01	1/1
18	S400-405-054-TR1-18	Base	01	1/1
19	S400-405-054-TR1-19	Door	02	1/1
20	S400-405-054-TR1-20	Drawer back panel	02	1/1
21	S400-405-054-TR1-21	Drawer bottom	02	1/1
22	S400-405-054-TR1-22	Right drawer front	01	1/1
23	S400-405-054-TR1-23	Back Panel	02	1/1

FITTINGS LIST

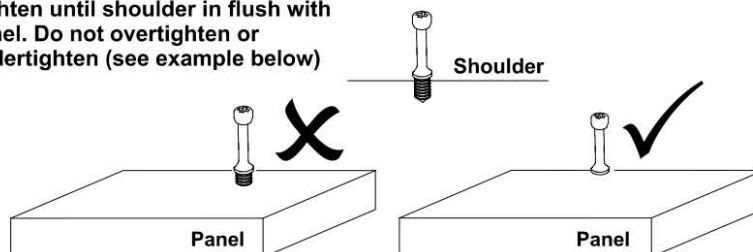
<p>A</p>  <p>Dowel Ø6x30mm (38X) +2</p>	<p>B</p>  <p>Dowel Ø8x30mm (9X) +2</p>	<p>C</p>  <p>Dowel Ø8x60mm (2X) +1</p>	<p>D</p>  <p>Angle (10X) +2</p>
<p>E</p>  <p>Screw Ø4,0x12mm (44X) +2</p>	<p>F</p>  <p>Cam bolt (2X) +1</p>	<p>G</p>  <p>Cam nut (2X) +1</p>	<p>H</p>  <p>Screw Ø3,5x20mm (4X) +1</p>
<p>I</p>  <p>Screw Ø3,5x30mm (2X) +1</p>	<p>J</p>  <p>Screw Ø3,5x30mm (36X) +2</p>	<p>K</p>  <p>Glue 20Gr (2X)</p>	<p>L</p>  <p>Knob (4X)</p>
<p>M</p>  <p>Screw M4X22mm (4X) +1</p>	<p>N</p>  <p>Screw Ø3,5x40mm (6X) +1</p>	<p>O</p>  <p>Nail 12mm (20X) +2</p>	<p>P</p>  <p>Strap 200x20x1mm (2X)</p>
<p>Q</p>  <p>Washer (4X) +1</p>	<p>R</p>  <p>Dowel Ø8x40mm (4X) +1</p>	<p>S</p>  <p>Plastic rail (1X)</p>	<p>T</p>  <p>Hinge plate (4X)</p>
<p>U</p>  <p>Hinge (4X)</p>	<p>V</p>  <p>Plastic shelf support (4X) +1</p>	<p>W</p>  <p>(2X)</p>	<p>X</p>  <p>(2X)</p>
<p>Y</p>  <p>Screw ø3,5X22mm(4X) +1</p>	<p>Z</p>  <p>Dowel Ø6x20mm (2X) +1</p>		

TIPS FOR FITTINGS CAM-LOCKS



CAMBOLT

Tighten until shoulder in flush with panel. Do not overtighten or undertighten (see example below)

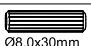




STEP 1

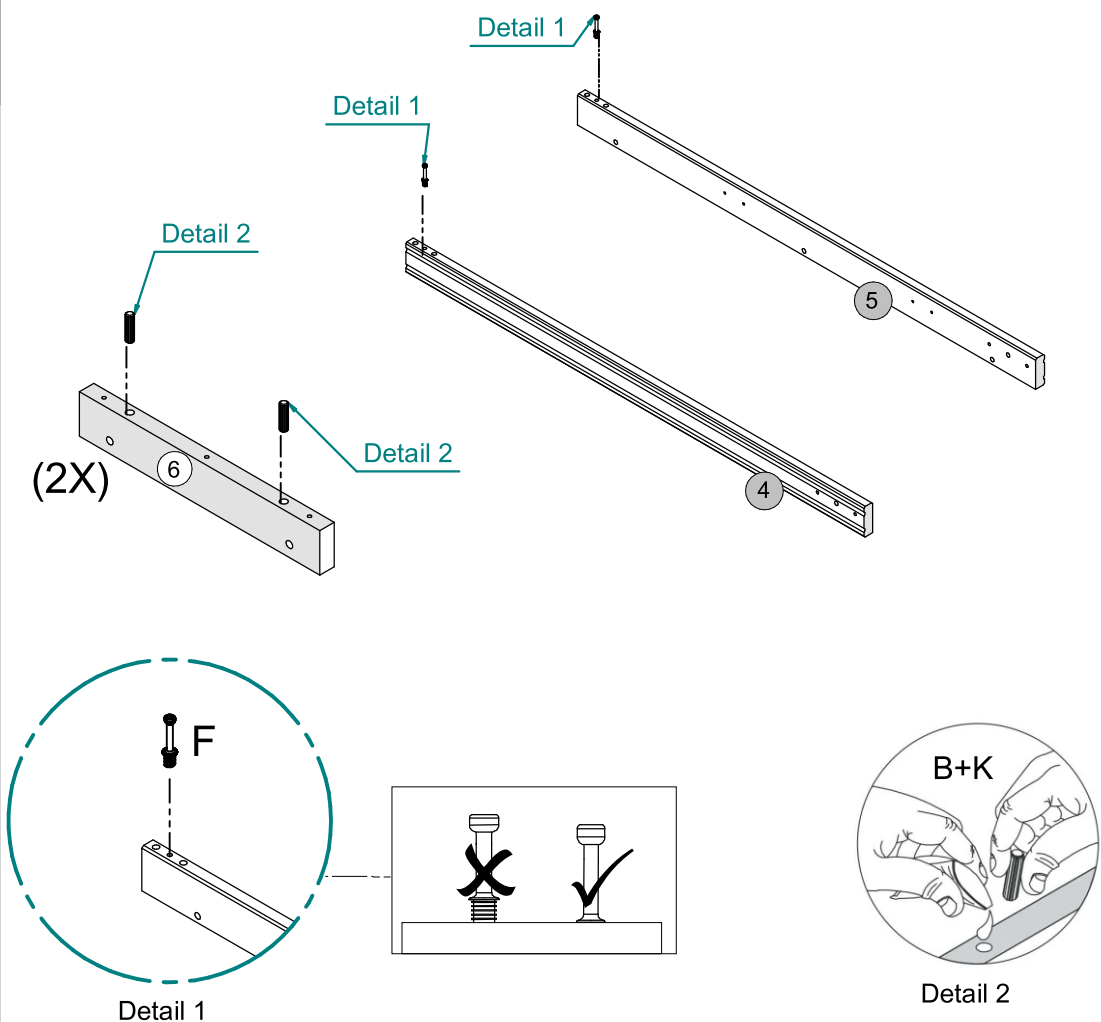
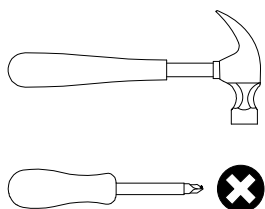
PARTS REQUIRED

4 - Left frame	x 1
5 - Right frame	x 1
6 - Large slide rail	x 2

HARDWARE REQUIRED

B	 Ø8,0x30mm	x 4
F		x 2
K	 GLUE	x 1

TOOLS REQUIRED

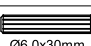

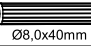
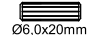


STEP 2

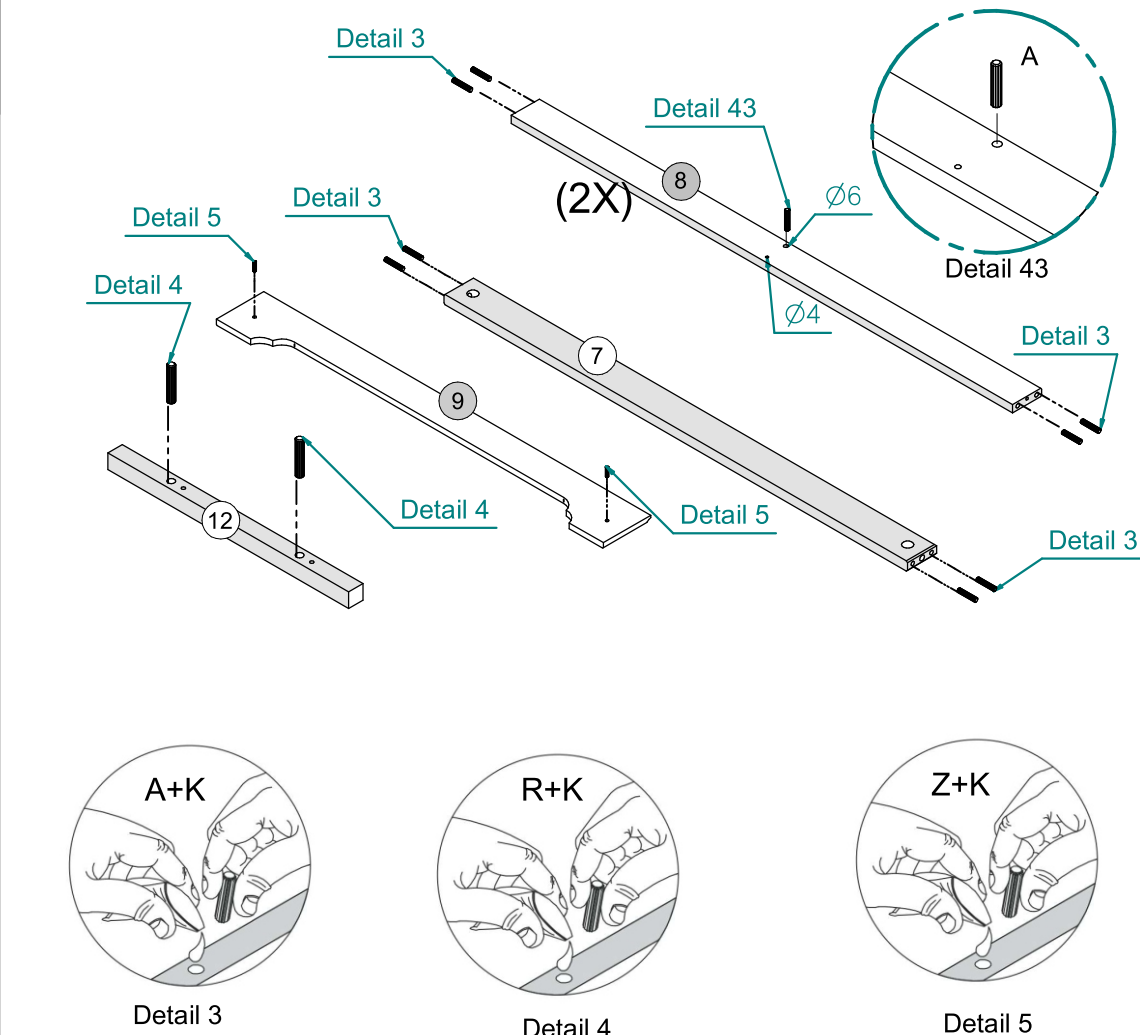
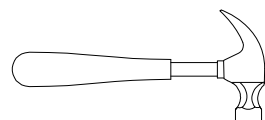
PARTS REQUIRED

7 - Top rail	x 1
8 - Back rail	x 2
9 - Baseboard	x 1
12 - Slide rail	x 1

HARDWARE REQUIRED

A	 Ø6,0x30mm	x 14
K	 GLUE	x 1
R	 Ø8,0x40mm	x 2
Z	 Ø6,0x20mm	x 2

TOOLS REQUIRED





STEP 3


PARTS REQUIRED

2 - Left side x 1

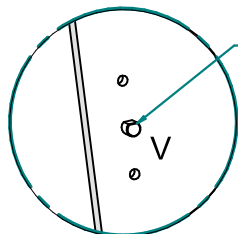
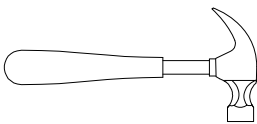
HARDWARE REQUIRED

A  x 5
Ø6,0x30mm

K  x 1
GLUE

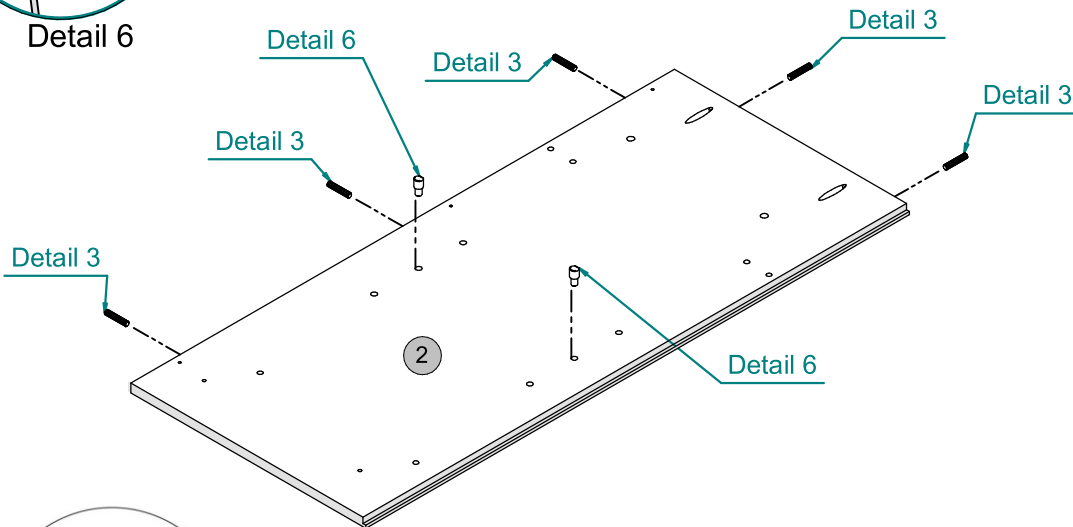
V  x 2

TOOLS REQUIRED



Detail 6

Position the shelf support with the flat side up.



Detail 3


STEP 4

PARTS REQUIRED

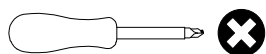
2 - Left side x 1

HARDWARE REQUIRED

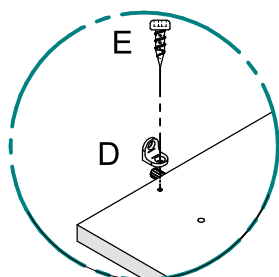
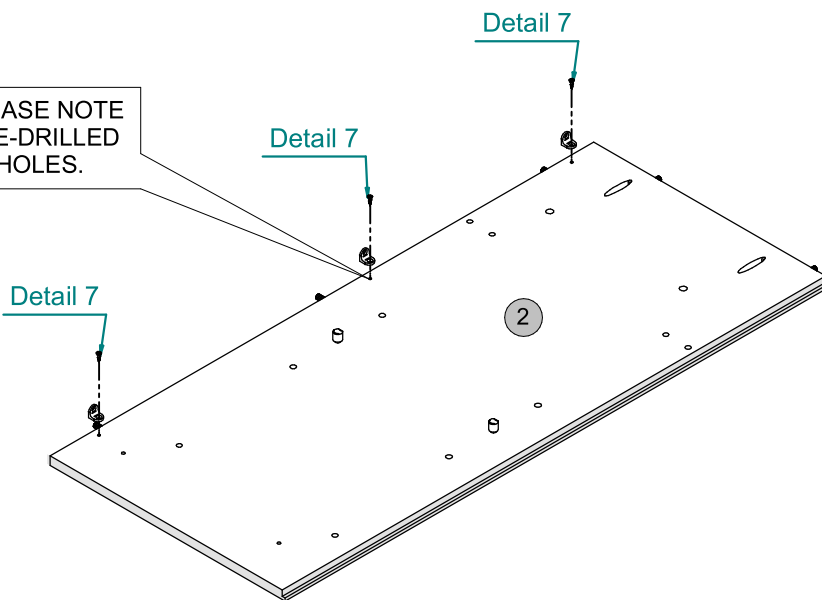
D  x 3

E  x 3
Ø4,0x12mm

TOOLS REQUIRED



PLEASE NOTE
PRE-DRILLED
HOLES.



Detail 7


STEP 5

PARTS REQUIRED

2 - Left side x 1

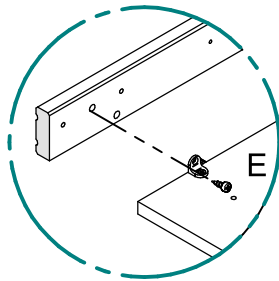
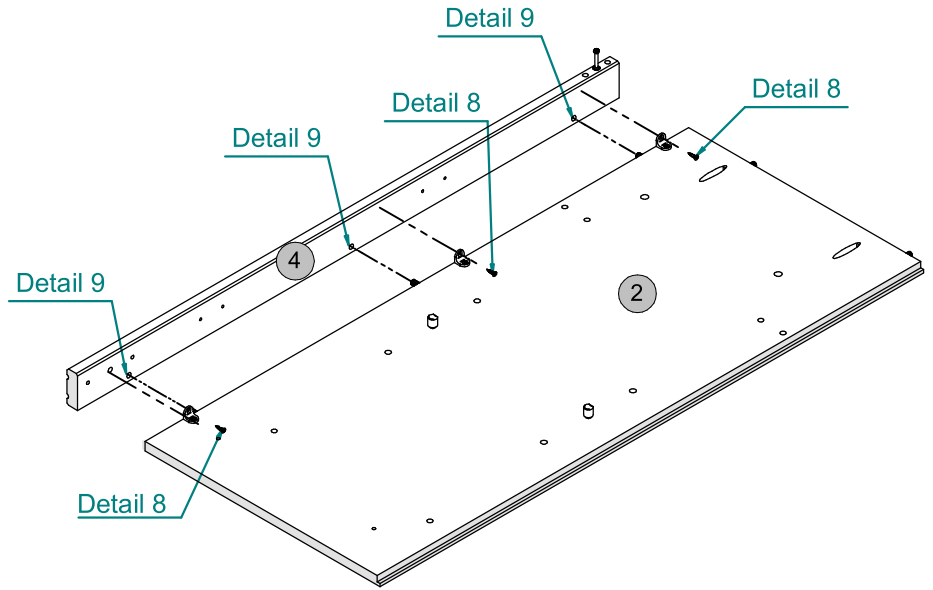
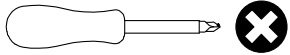
4 - Left frame x 1

HARDWARE REQUIRED

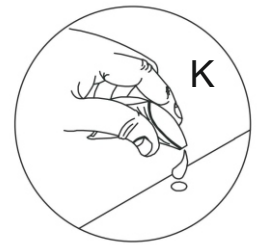
E  x 3
Ø4,0x12mm

K  x 1

TOOLS REQUIRED



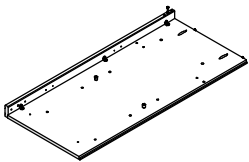
Detail 8



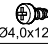
Detail 9

STEP 6

PARTS REQUIRED

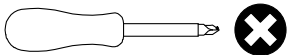


HARDWARE REQUIRED

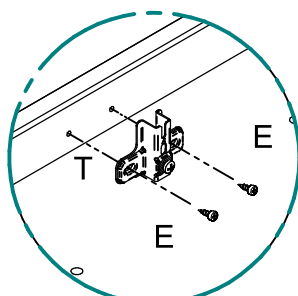
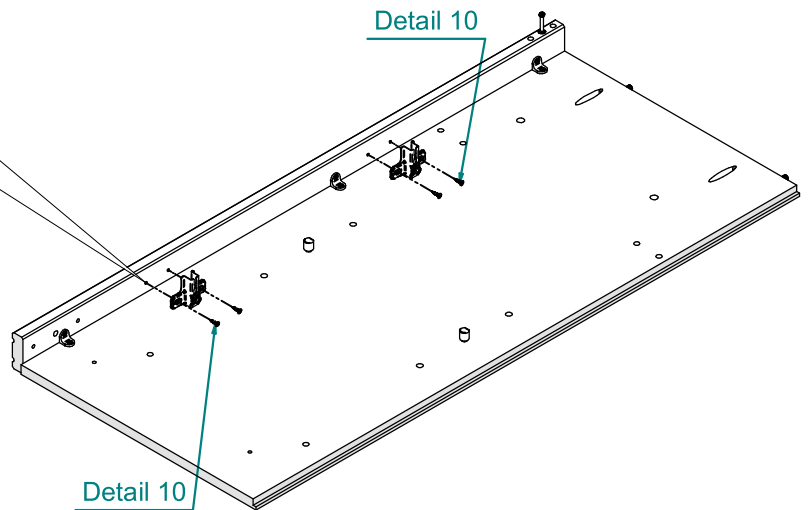
E  x 4
Ø4,0x12mm

T  x 2

TOOLS REQUIRED



PLEASE NOTE
PRE-DRILLED
HOLES.



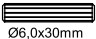
Detail 10

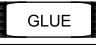
STEP 7

PARTS REQUIRED

3 - Right side x 1

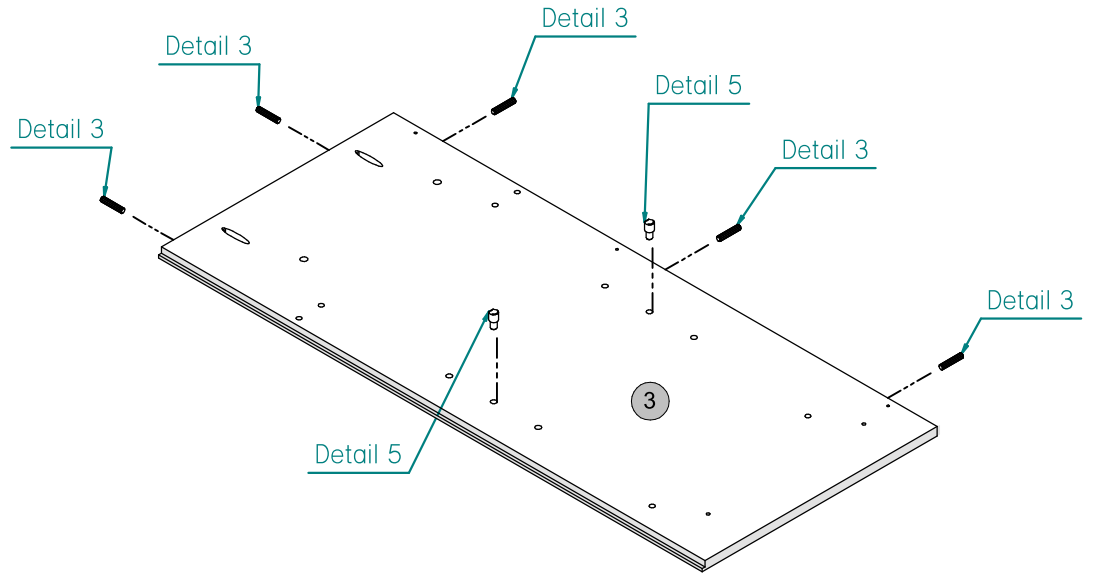
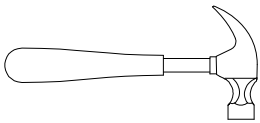
HARDWARE REQUIRED

A  x 5
Ø6,0x30mm

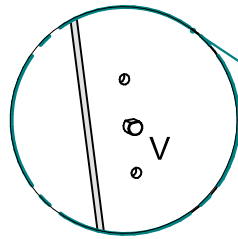
K  x 1
GLUE

V  x 2

TOOLS REQUIRED



Detail 3



Detail 5

Position the shelf support with the flat side up


STEP 8

PARTS REQUIRED

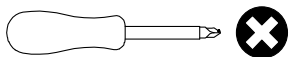
3 - Right side x 1

HARDWARE REQUIRED

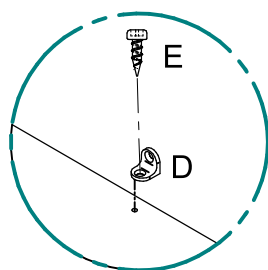
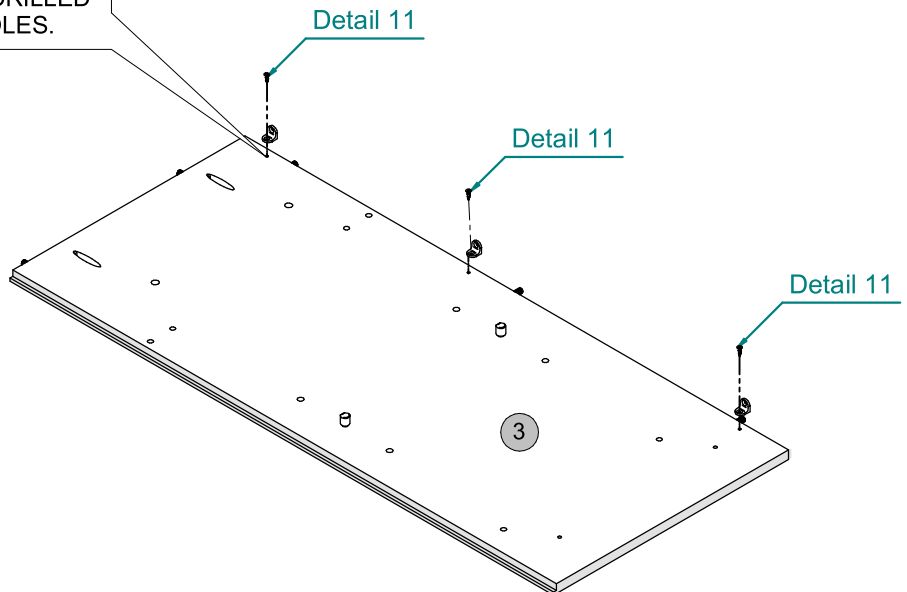
D  x 3

E  x 3
Ø4,0x12mm

TOOLS REQUIRED



PLEASE NOTE
PRE-DRILLED
HOLES.



Detail 11

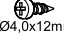
STEP 9

PARTS REQUIRED

3 - Right side x 1

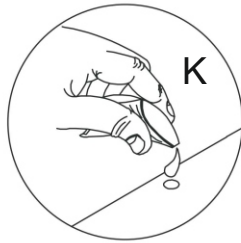
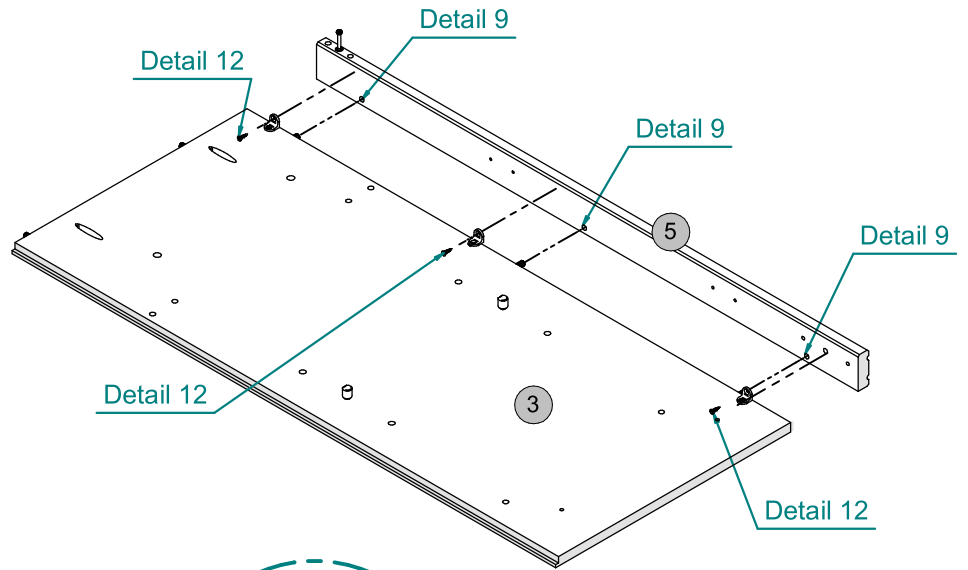
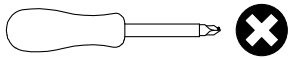
5 - Right frame x 1

HARDWARE REQUIRED

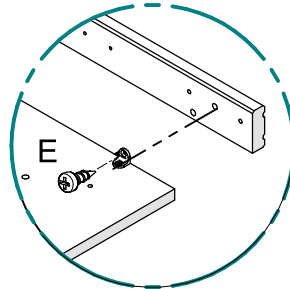
E  Ø4,0x12mm x 3

K  GLUE x 1

TOOLS REQUIRED



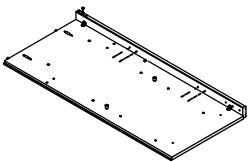
Detail 9



Detail 12

STEP 10

PARTS REQUIRED

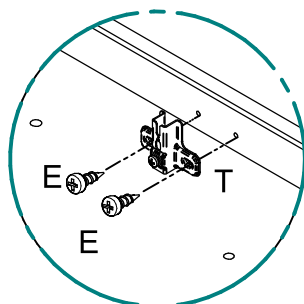
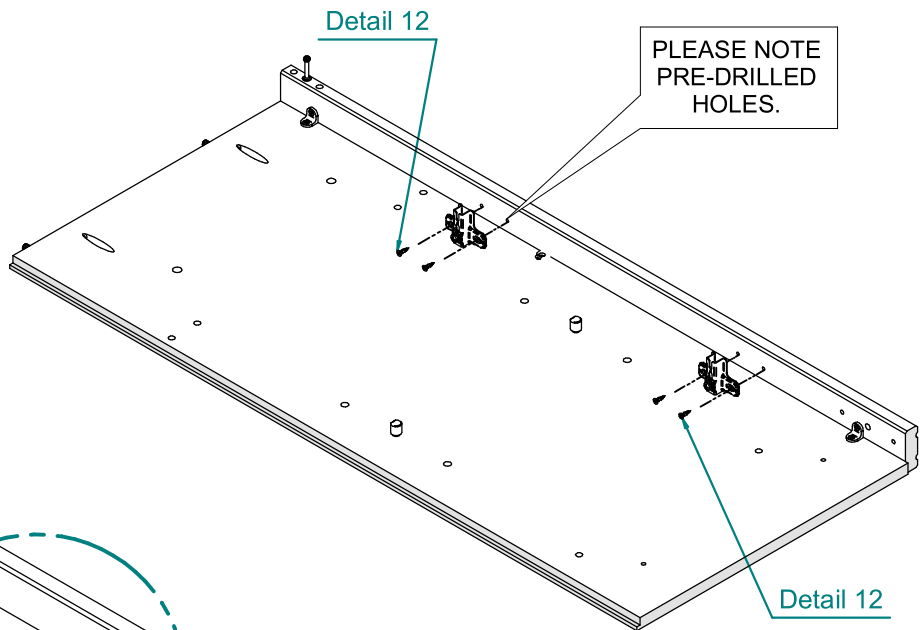
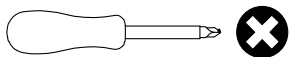


HARDWARE REQUIRED

E  Ø4,0x12mm x 4

T  x 2

TOOLS REQUIRED



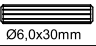
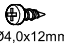
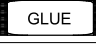

Detail 12

STEP 11

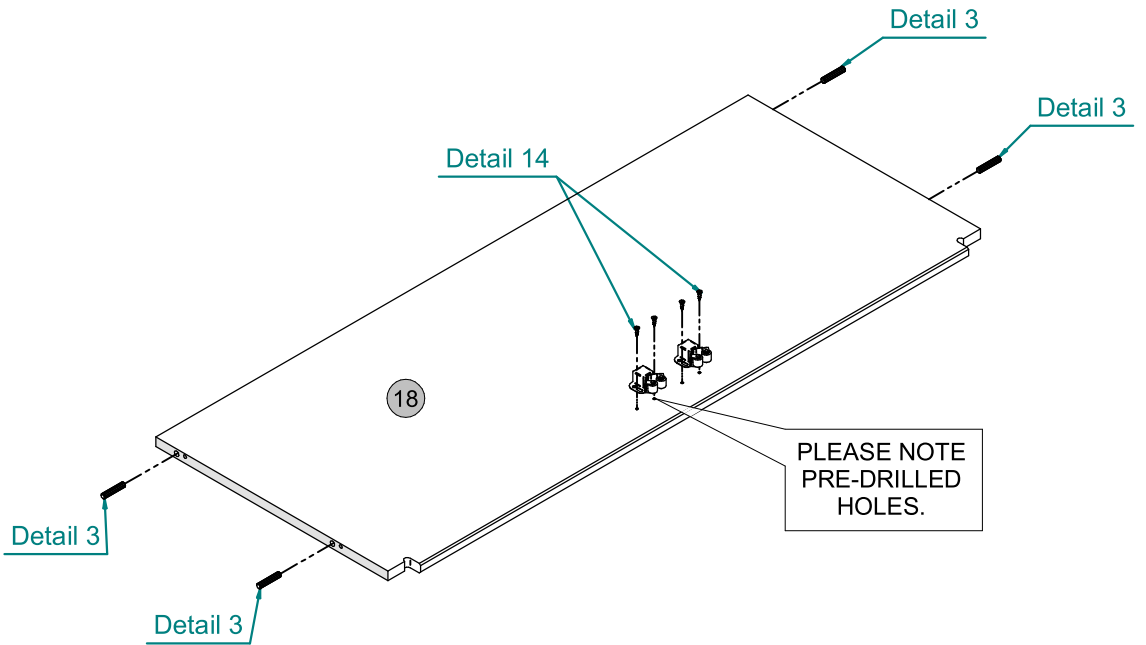
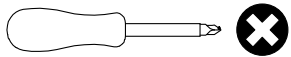
PARTS REQUIRED

18 - Base	x 1
-----------	-----

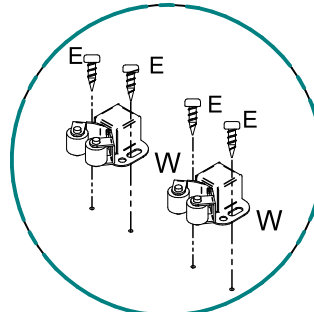
HARDWARE REQUIRED

A	 x 4
E	 x 4
K	 x 1
W	 x 2

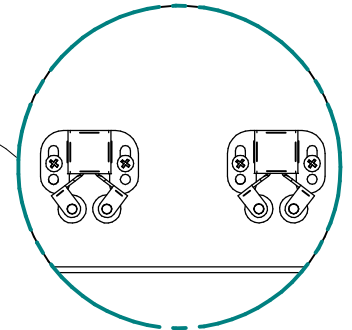
TOOLS REQUIRED



Detail 3



Detail 14

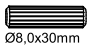


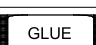


STEP 12

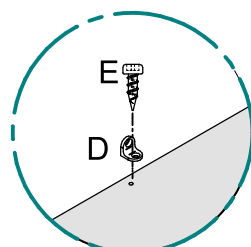
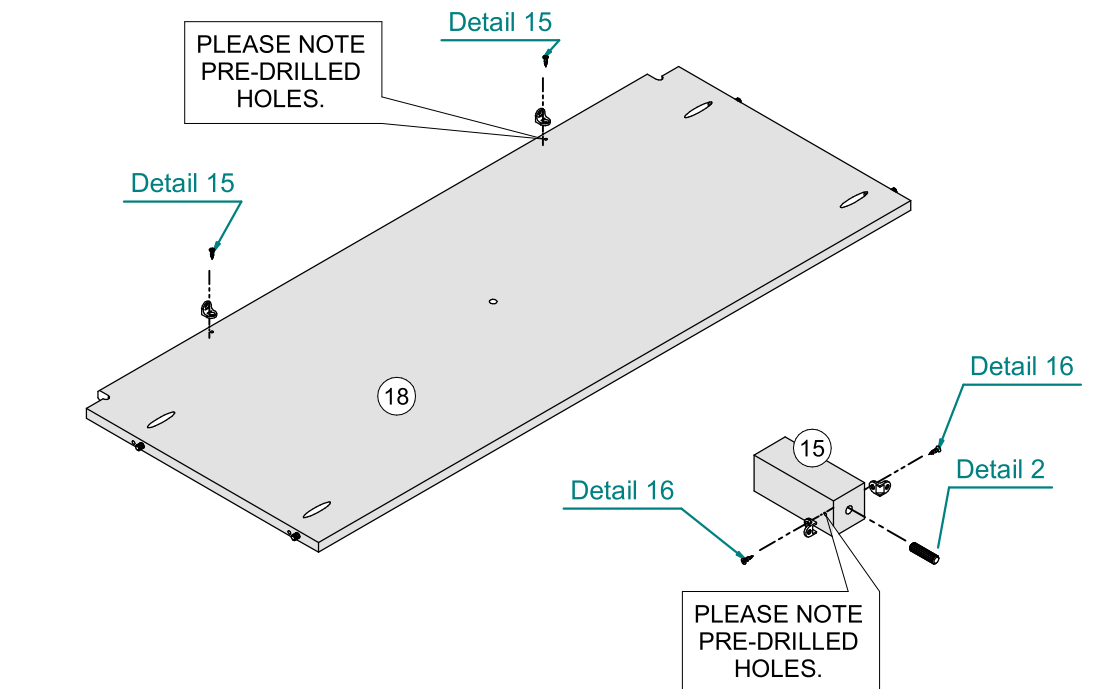
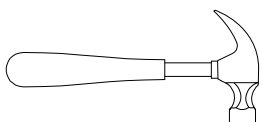
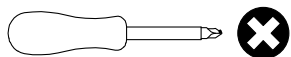
PARTS REQUIRED

15 - Central foot	x 1
18 - Base	x 1

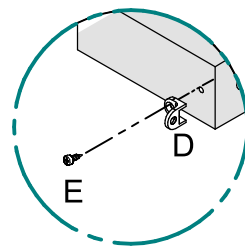
HARDWARE REQUIRED

B	 x 1
D	 x 4
E	 x 4
K	 x 1

TOOLS REQUIRED



Detail 15



Detail 16



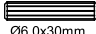
Detail 2

STEP 13

PARTS REQUIRED

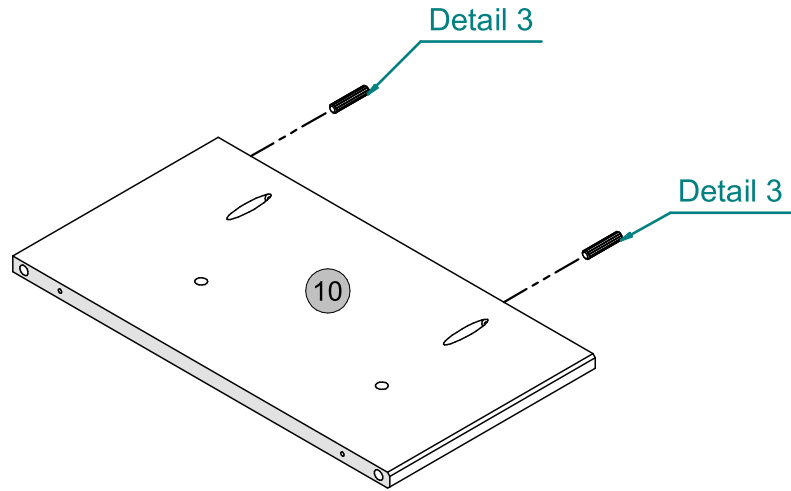
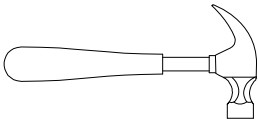
10 - Division x 1

HARDWARE REQUIRED

A  x 2
Ø6,0x30mm

K  x 1
GLUE

TOOLS REQUIRED



Detail 3

STEP 14

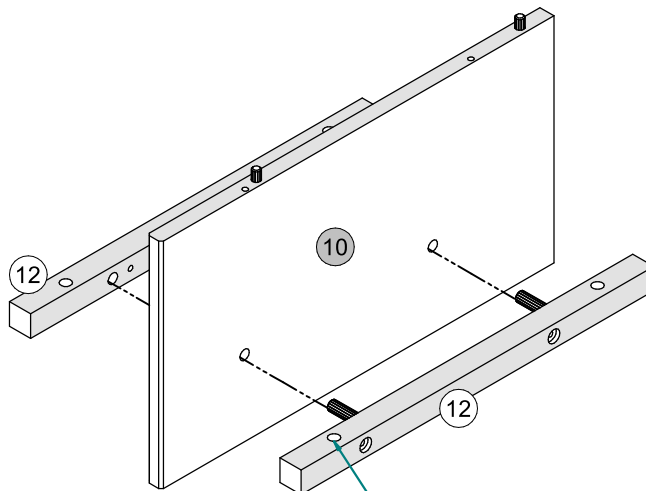
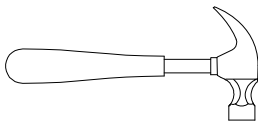
PARTS REQUIRED

10 - Division x 1

12 - Slide rail x 2

HARDWARE REQUIRED

TOOLS REQUIRED



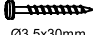
Take note of the hole position as shown in the image

STEP 15

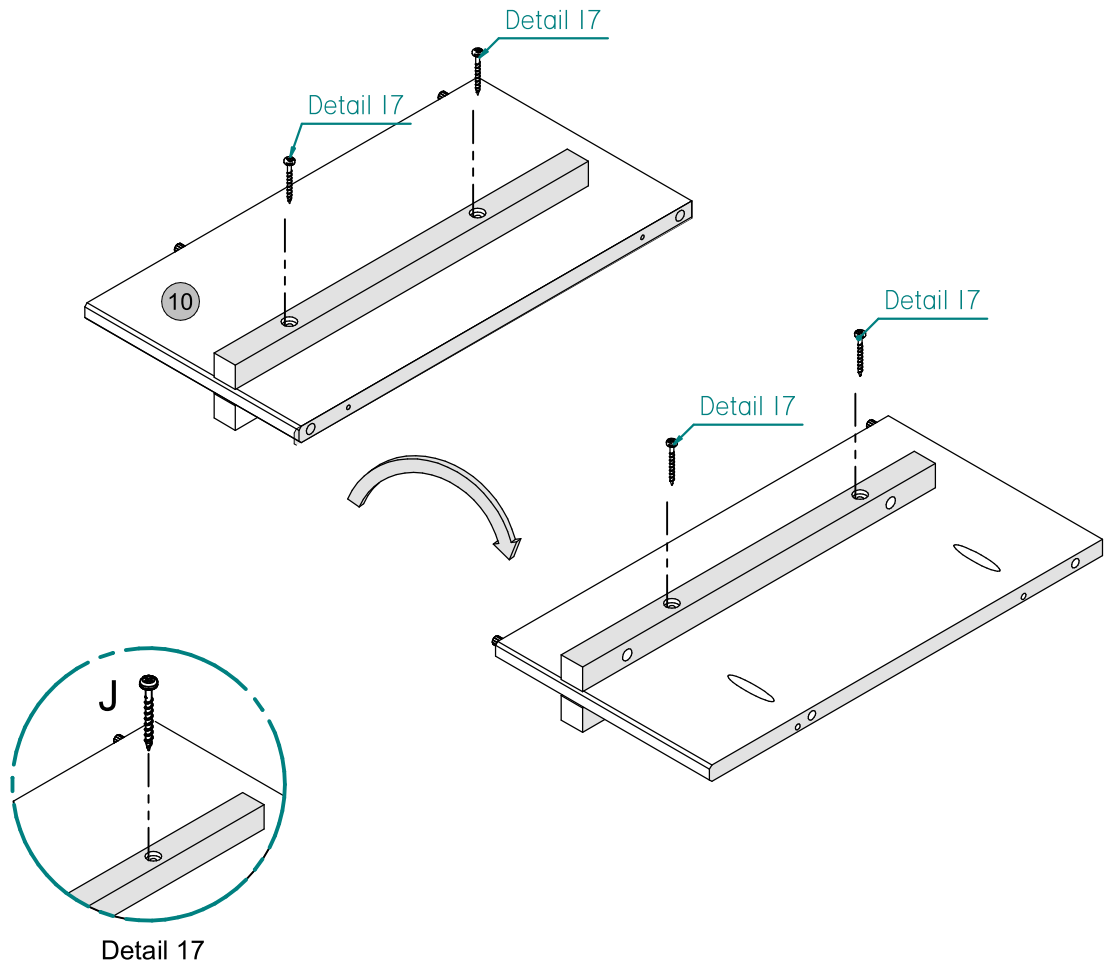
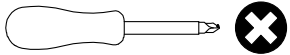
PARTS REQUIRED

10 - Division x 1

HARDWARE REQUIRED

J  x 4
Ø3,5x30mm

TOOLS REQUIRED




STEP 16

PARTS REQUIRED

15 - Central foot x 1

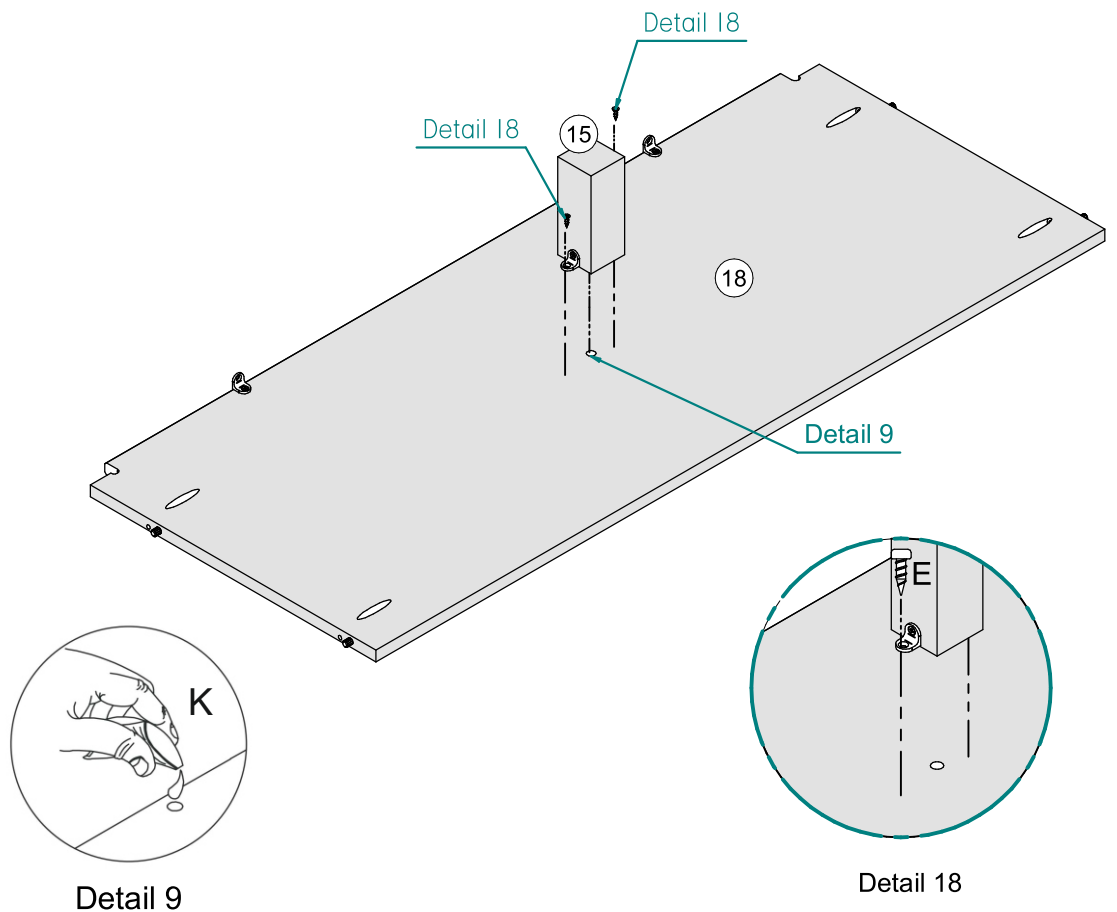
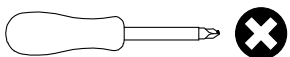
18 - Base x 1

HARDWARE REQUIRED

E  x 2
Ø4,0x12mm

K  x 1
GLUE

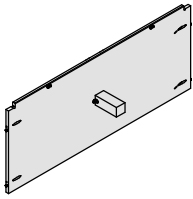
TOOLS REQUIRED



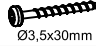
STEP 17

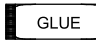
PARTS REQUIRED

3 - Right side x 1

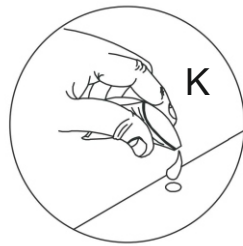
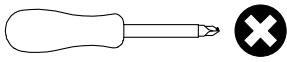


HARDWARE REQUIRED

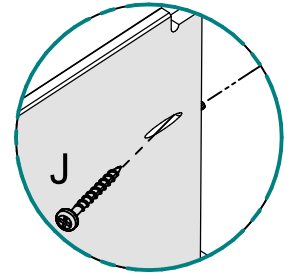
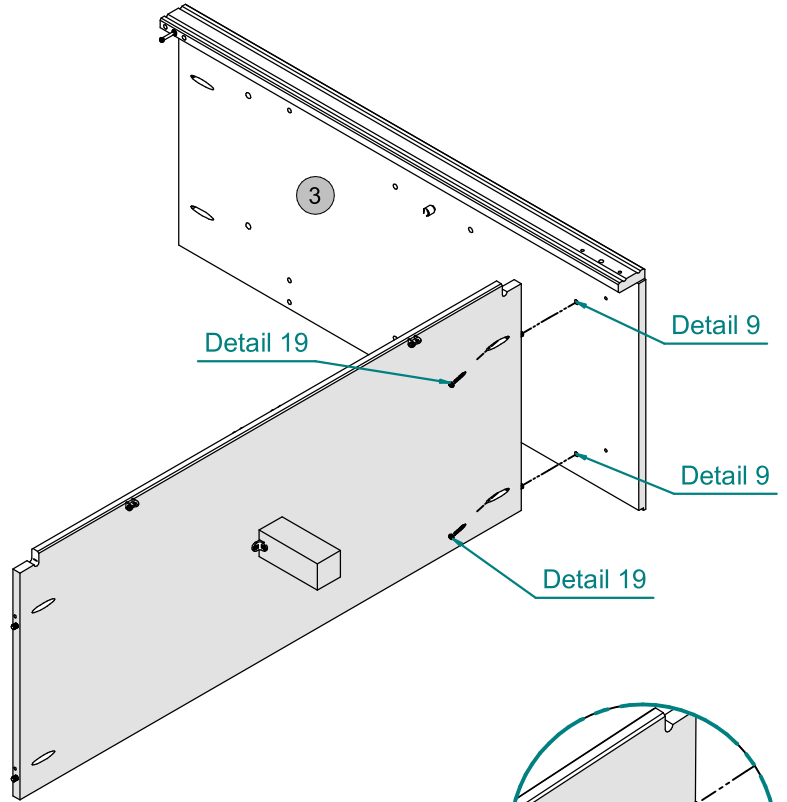
J  Ø3,5x30mm x 2

K  GLUE x 1

TOOLS REQUIRED



Detail 9

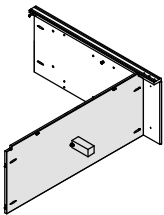


Detail 19

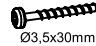
STEP 18

PARTS REQUIRED

8 - Back rail x 2

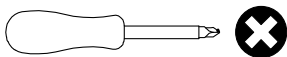


HARDWARE REQUIRED

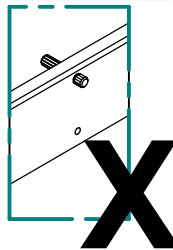
J  Ø3,5x30mm x 2

K  GLUE x 1

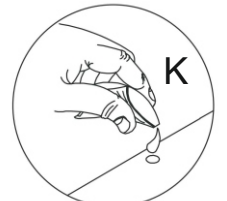
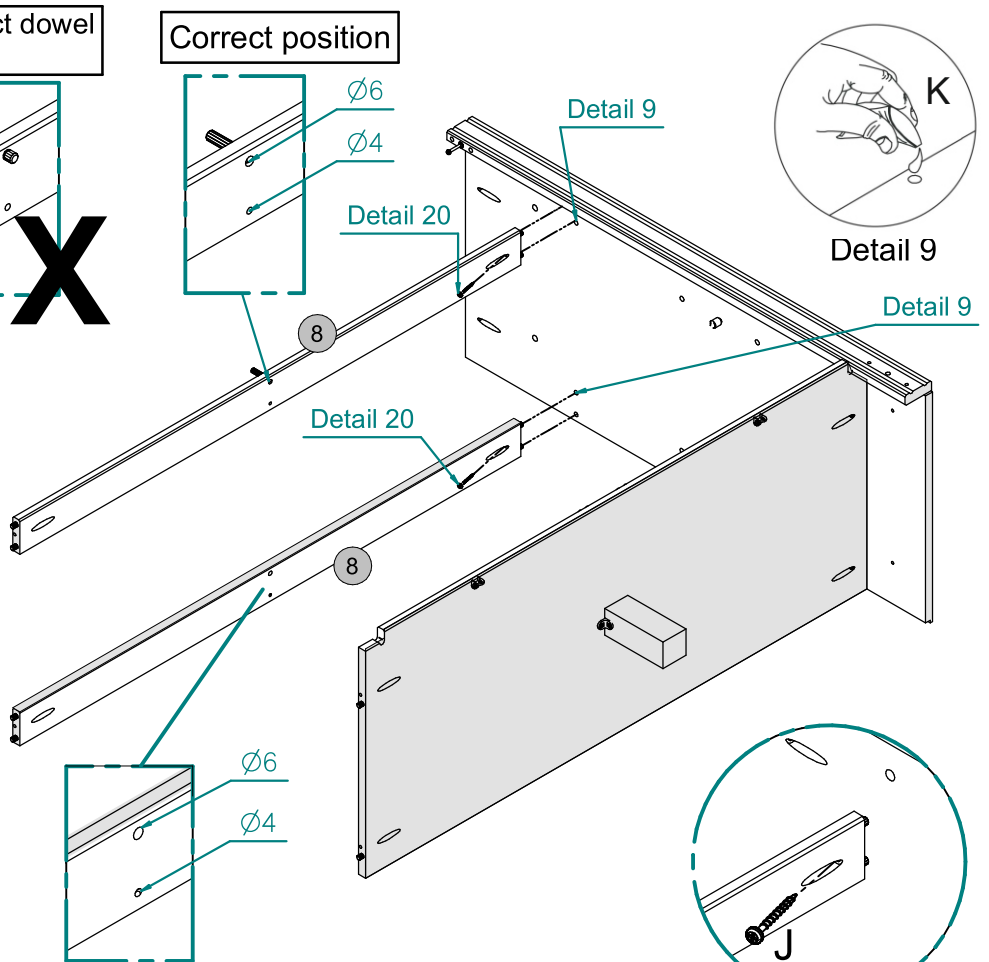
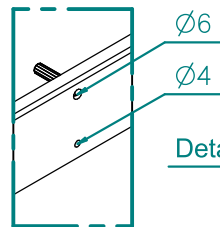
TOOLS REQUIRED



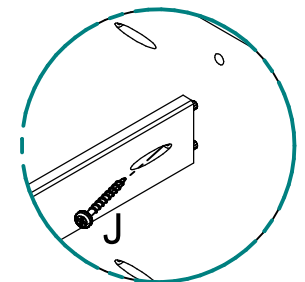
Incorrect dowel position



Correct position



Detail 9



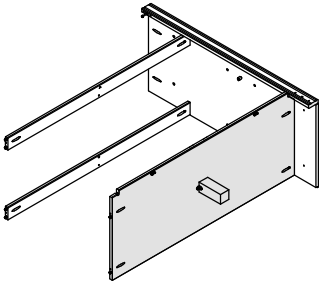
Detail 20

Correct position

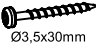
STEP 19

PARTS REQUIRED

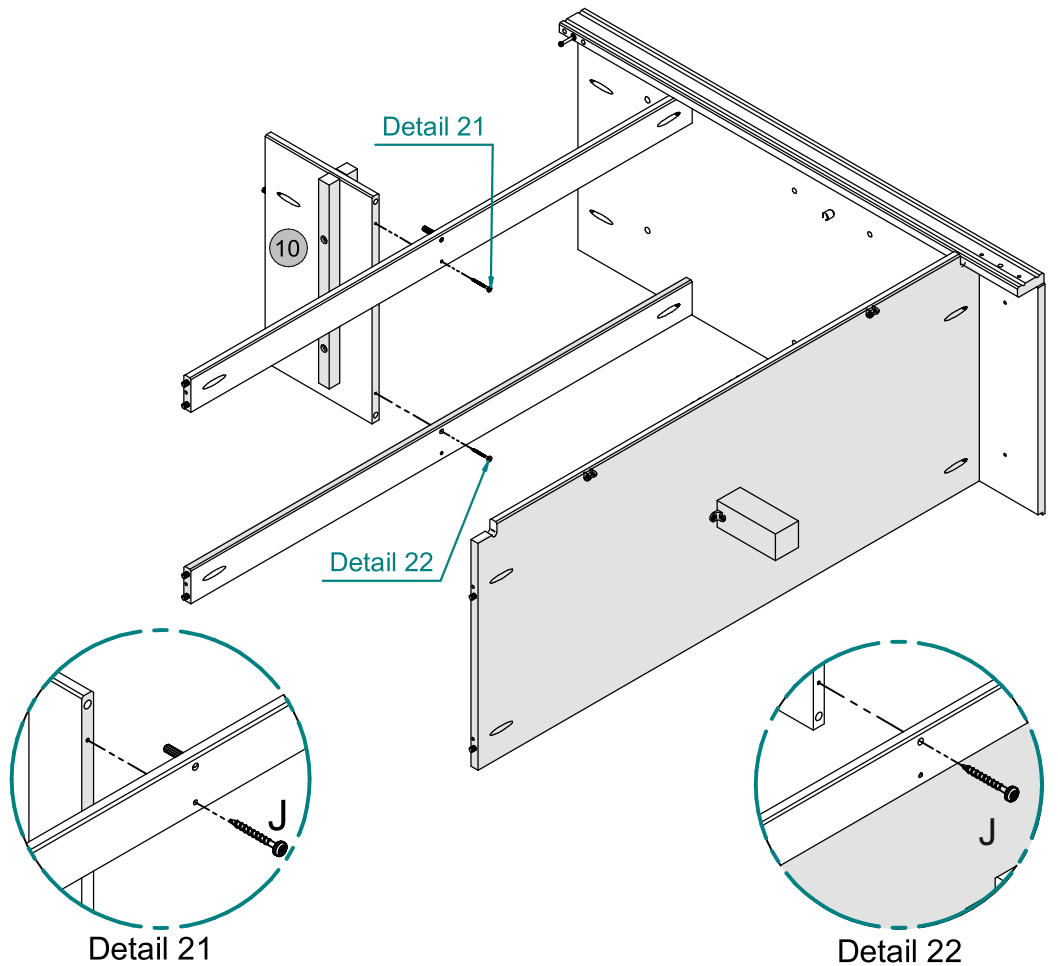
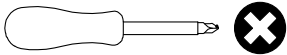
10 - Division x 1



HARDWARE REQUIRED

J  Ø3,5x30mm x 2

TOOLS REQUIRED



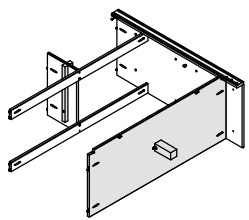
Detail 21

Detail 22

STEP 20

PARTS REQUIRED

7 - Top rail x 1

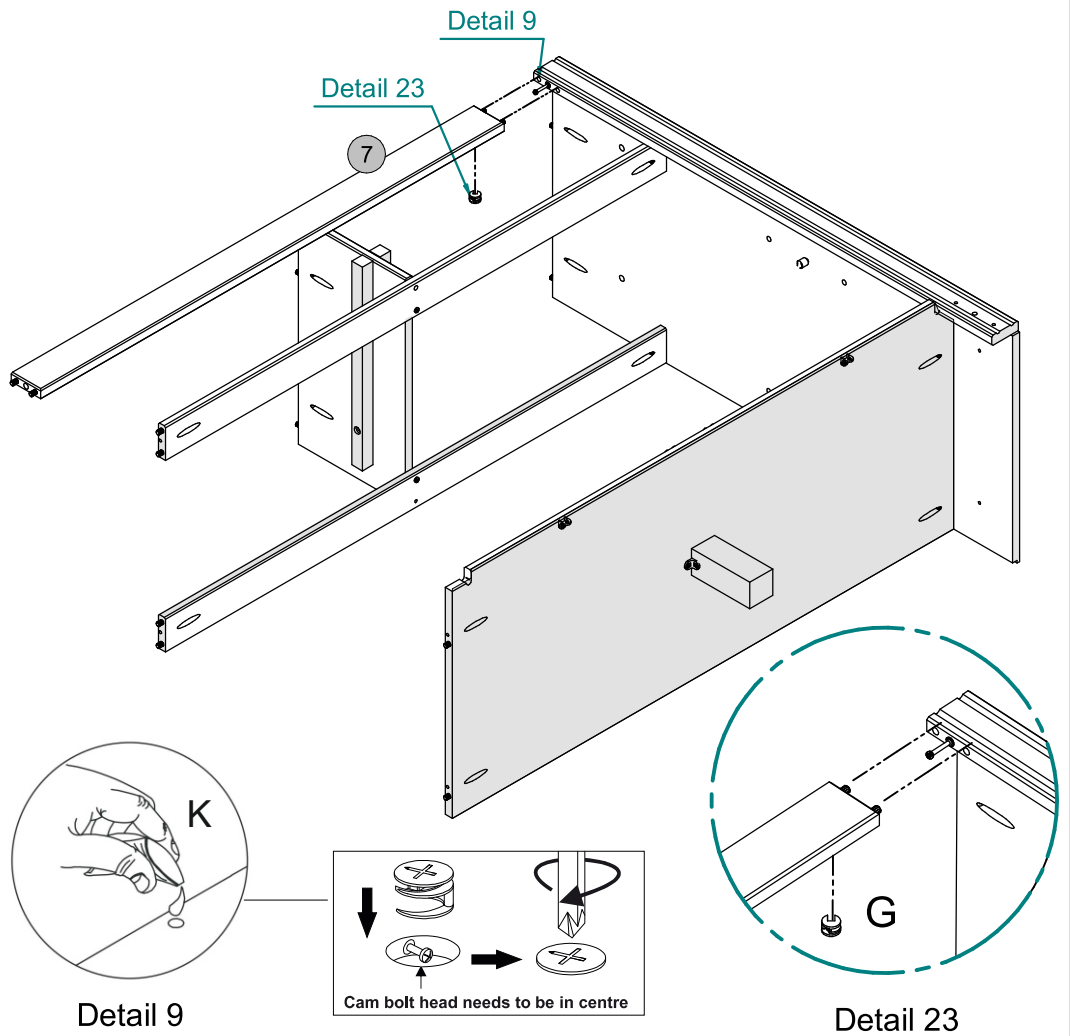
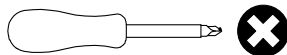


HARDWARE REQUIRED

G  x 1

K  GLUE x 1

TOOLS REQUIRED



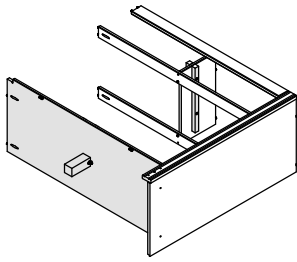
Detail 9

Detail 23


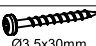
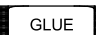
STEP 21

PARTS REQUIRED

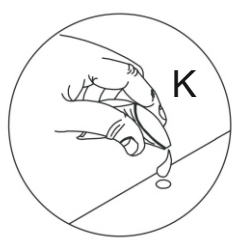
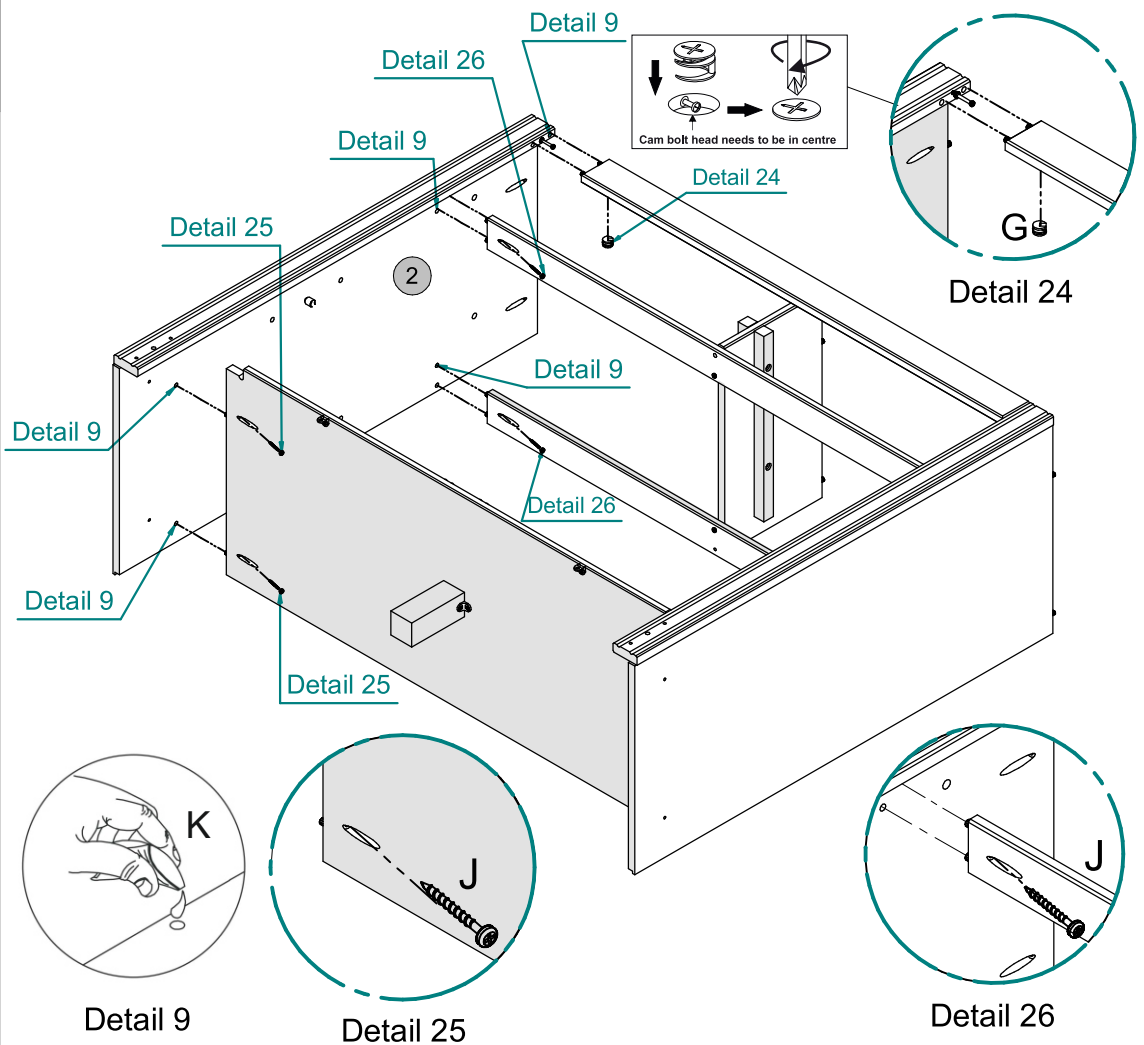
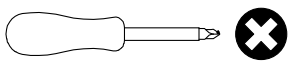
2 - Left side x 1



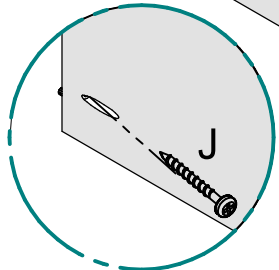
HARDWARE REQUIRED

- G  x 1
- J  Ø3,5x30mm x 4
- K  GLUE x 1

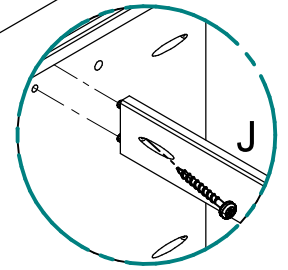
TOOLS REQUIRED



Detail 9



Detail 25

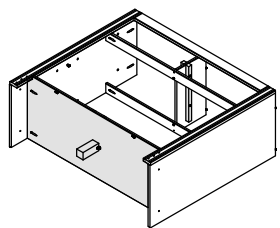


Detail 26

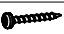
STEP 22

PARTS REQUIRED

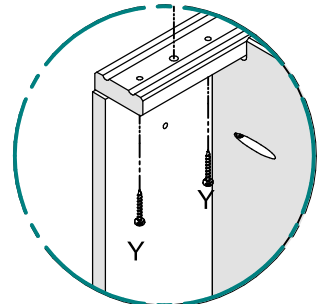
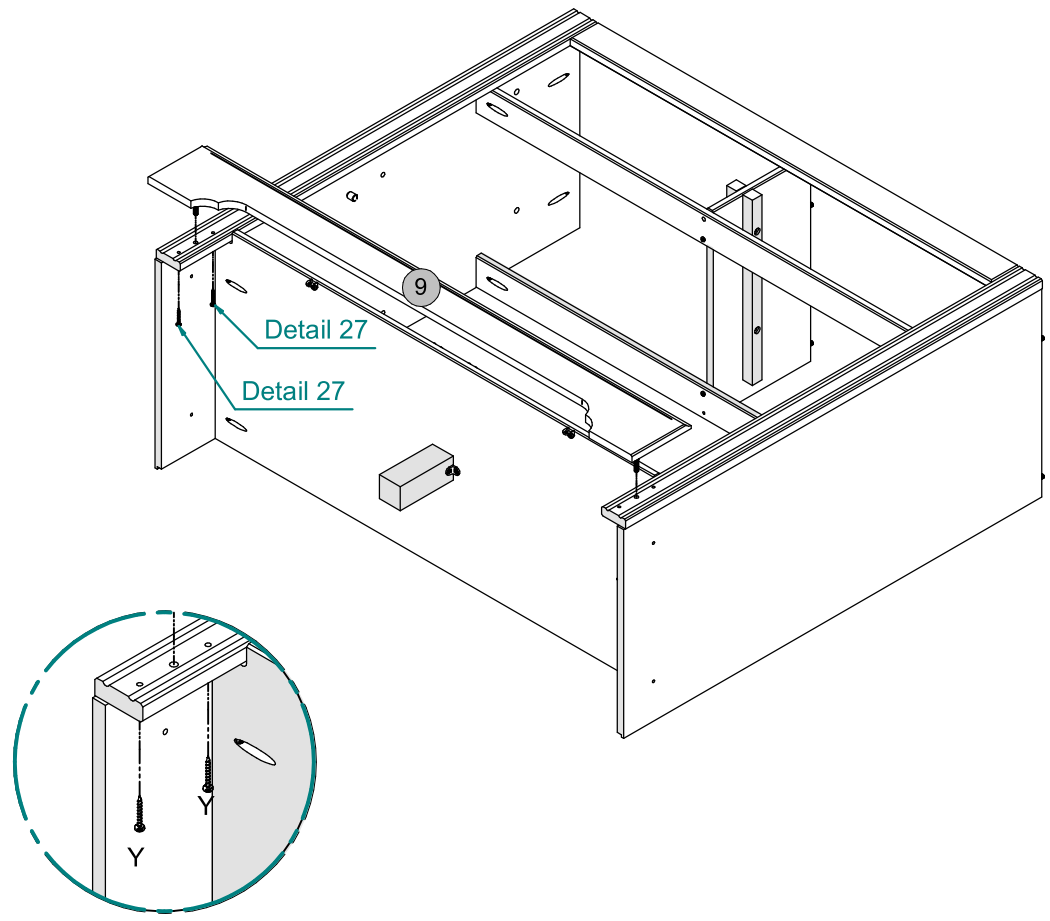
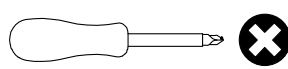
9 - Baseboard x 1



HARDWARE REQUIRED

- Y  Ø3,5x22mm x 4

TOOLS REQUIRED

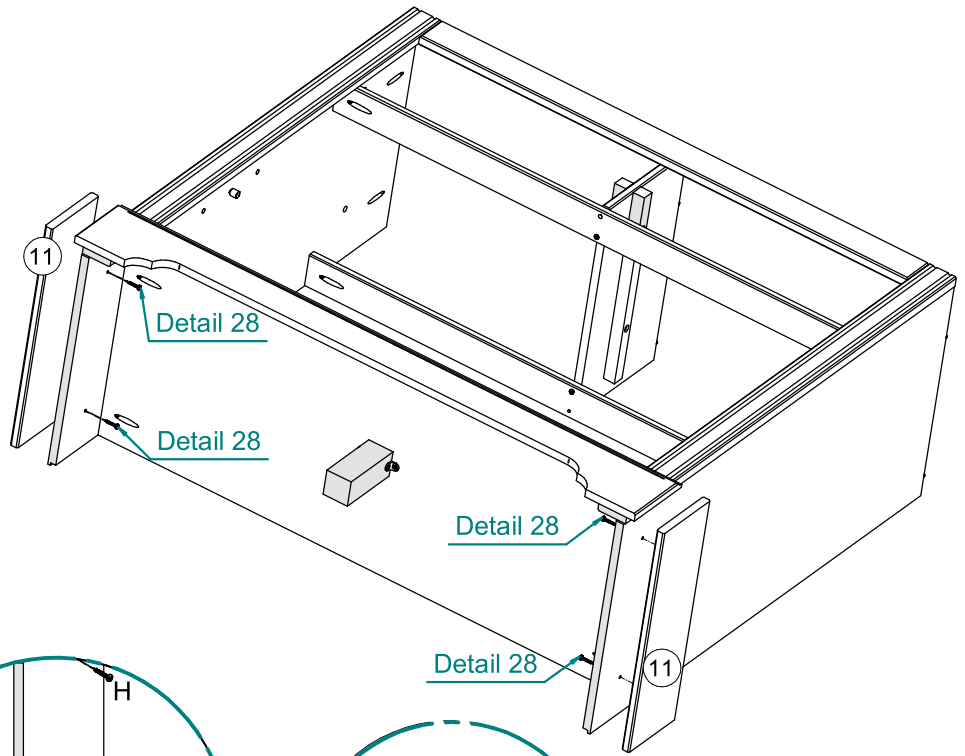
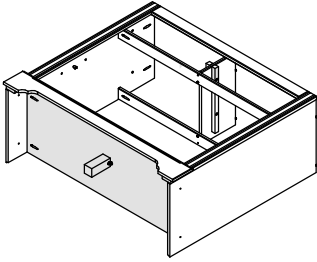


Detail 27

STEP 23

PARTS REQUIRED

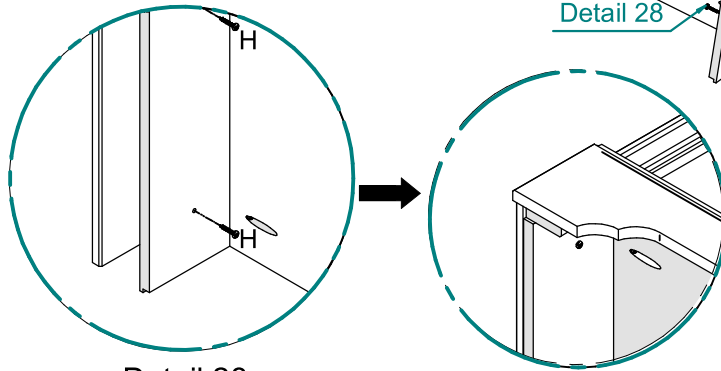
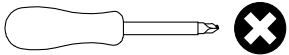
11 - Side frame x 2



HARDWARE REQUIRED

H  x 4
Ø3,5x25mm

TOOLS REQUIRED

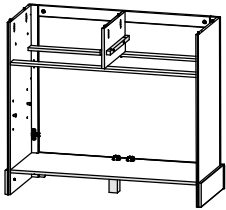


Detail 28

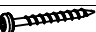
STEP 24

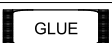
PARTS REQUIRED

1 - Top panel x 1

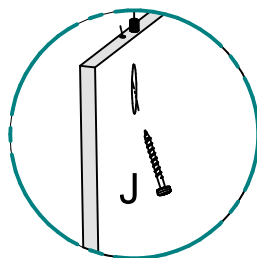
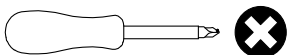


HARDWARE REQUIRED

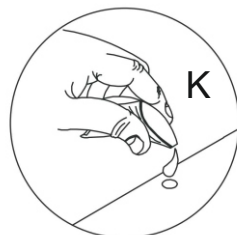
J  x 6
Ø3,5x30mm

K  x 1

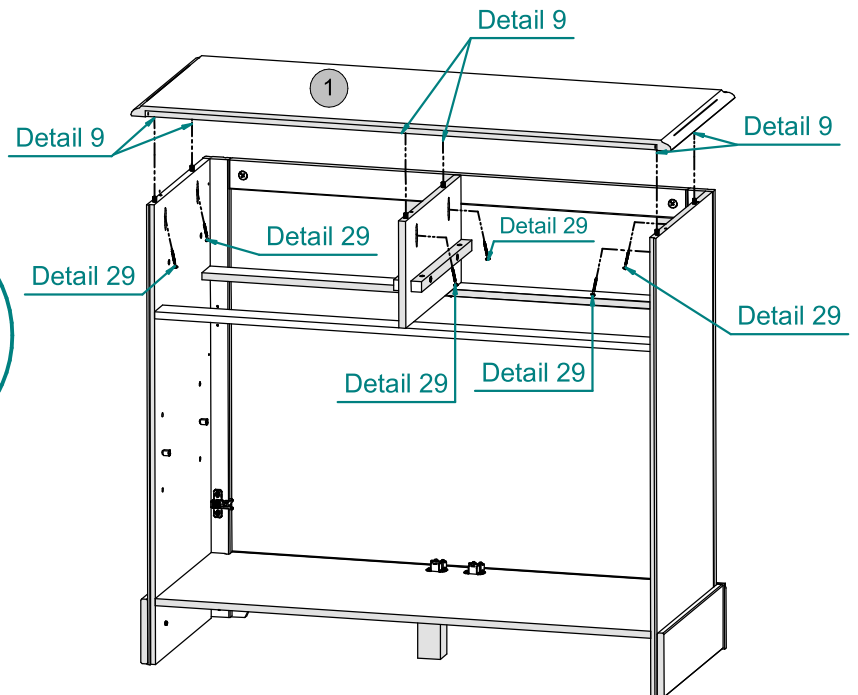
TOOLS REQUIRED



Detail 29



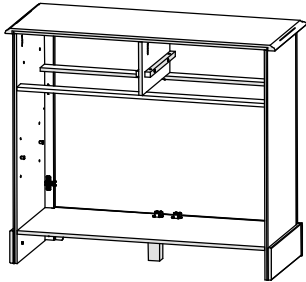
Detail 9



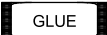
STEP 25

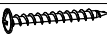
PARTS REQUIRED

6 - Large slide rail x 2

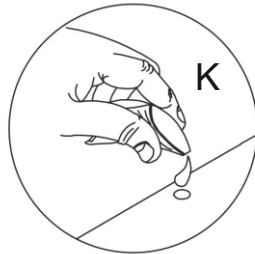
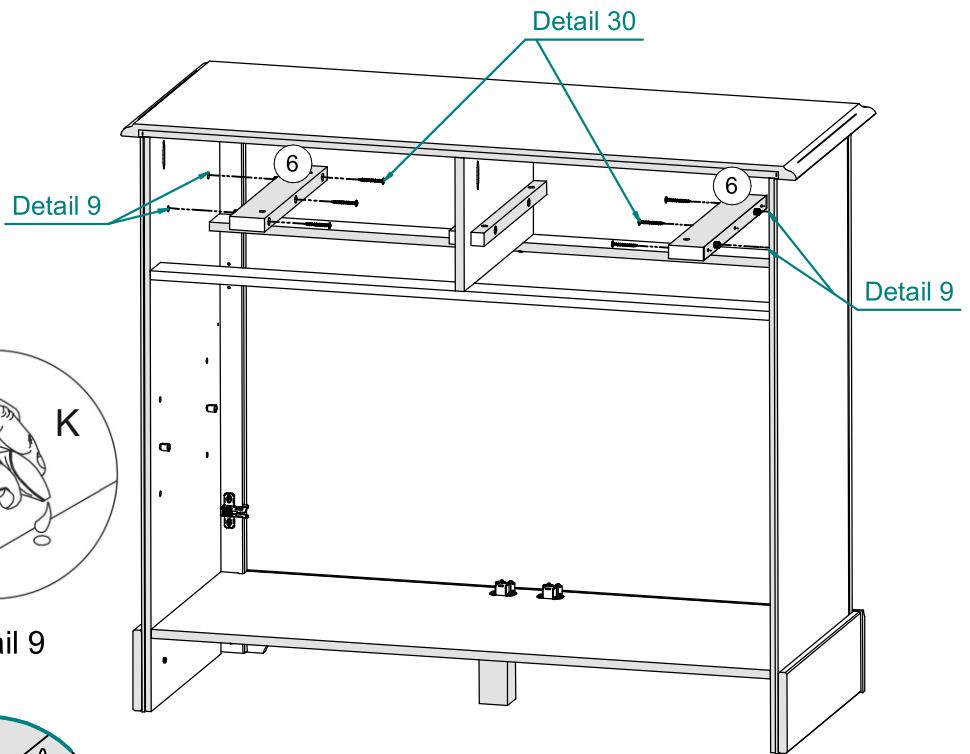
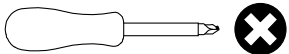


HARDWARE REQUIRED

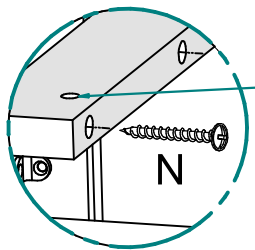
K  x 1

N  Ø3,5x40mm x 6

TOOLS REQUIRED



Detail 9

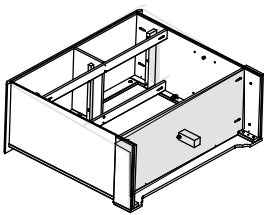


Detail 30

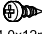
Take note of the hole position as shown in the image

STEP 26

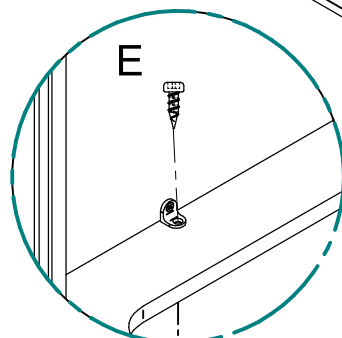
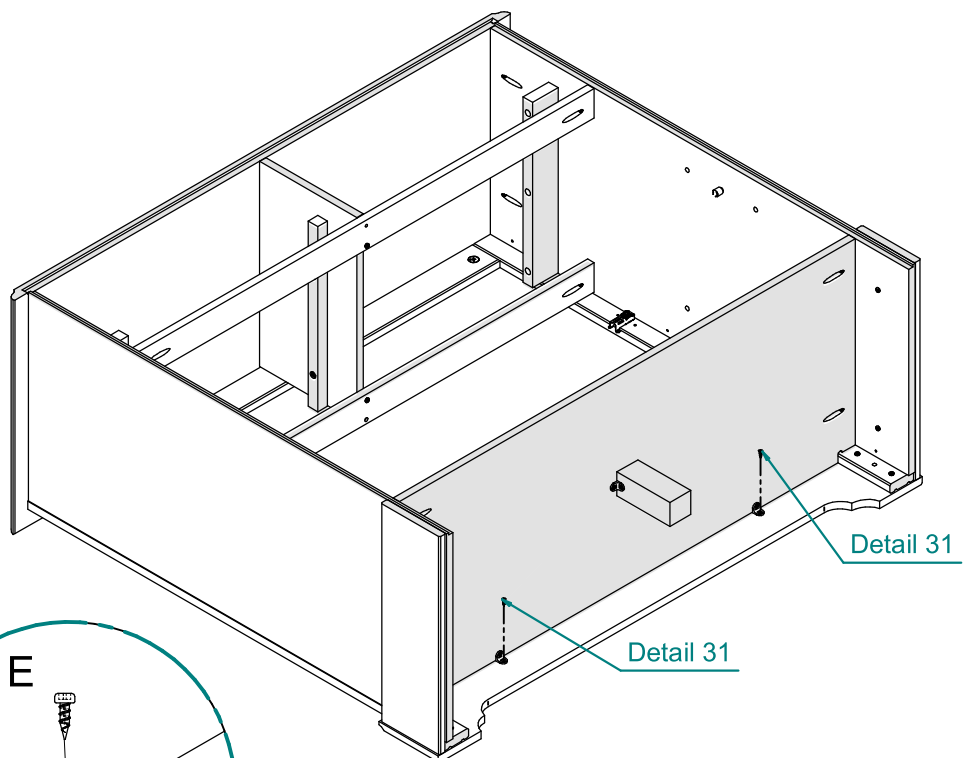
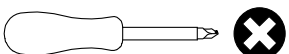
PARTS REQUIRED



HARDWARE REQUIRED

E  Ø4,0x12mm x 2

TOOLS REQUIRED



Detail 31

Detail 31

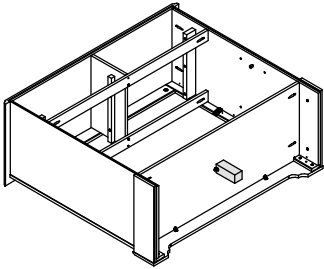
Detail 31

STEP 27

For your future reference
Order number should be here

PARTS REQUIRED

23 - Back panel x 2

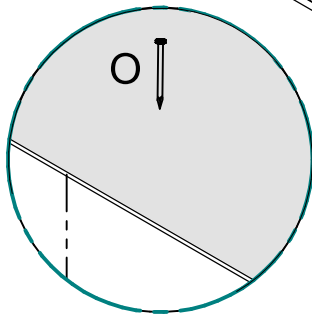
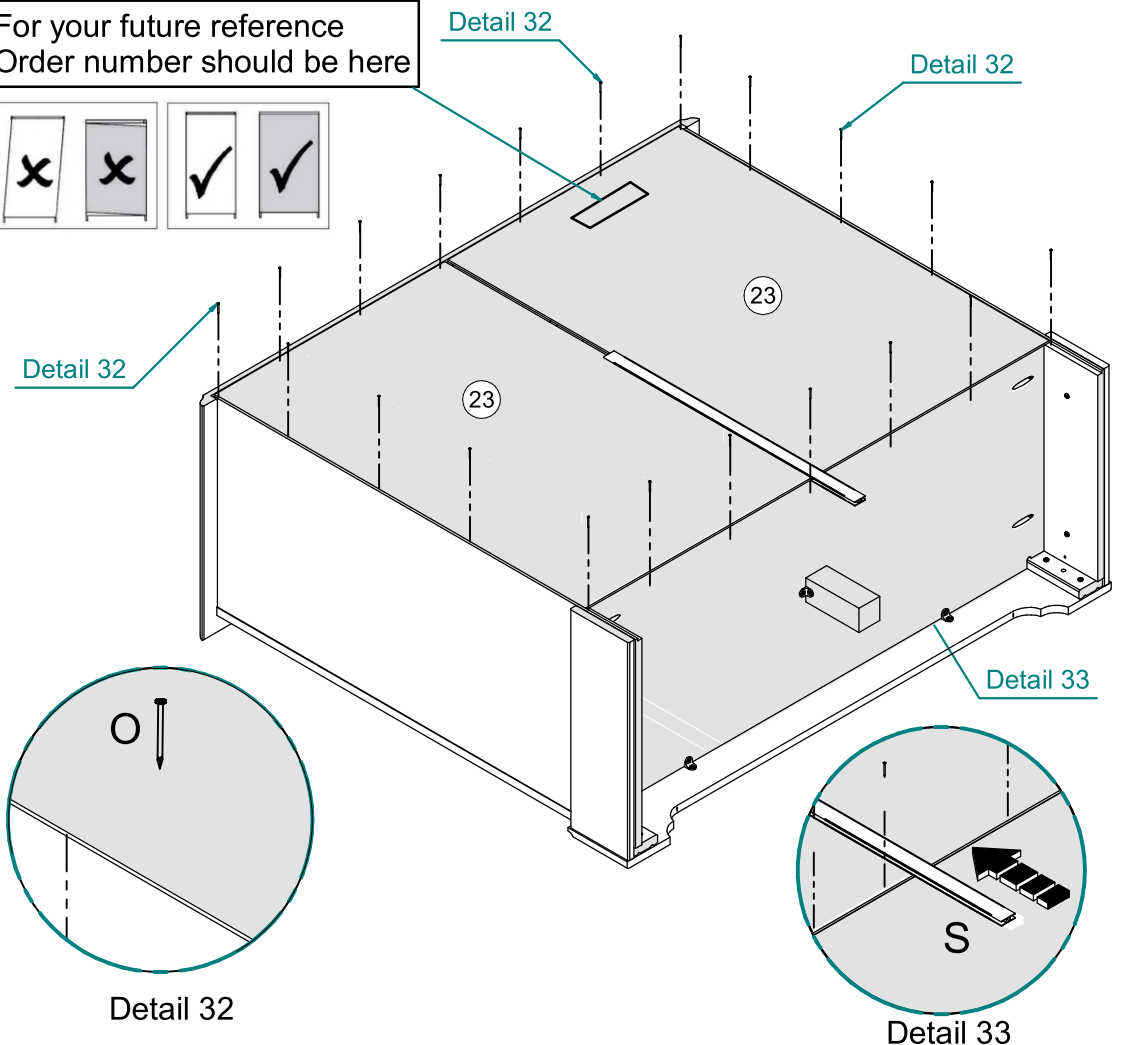
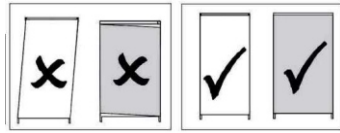
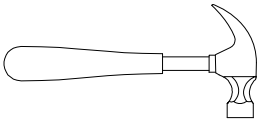


HARDWARE REQUIRED

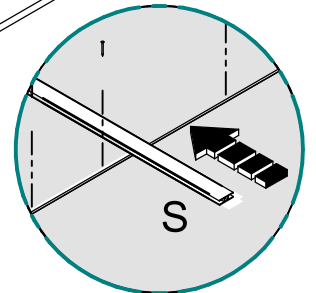
O  x 20

S  x 1

TOOLS REQUIRED



Detail 32



Detail 33

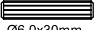
STEP 28

PARTS REQUIRED

13 - Right side drawer x 2

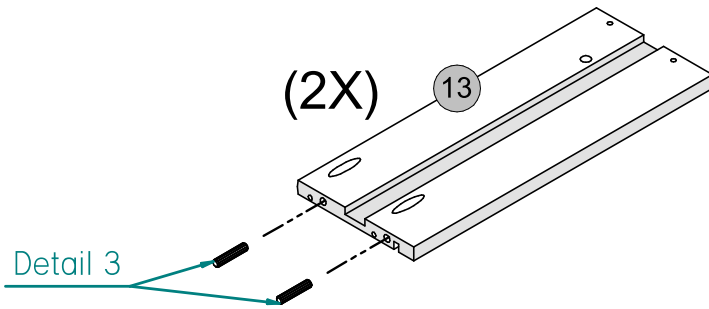
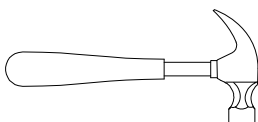
14 - Left side drawer x 2

HARDWARE REQUIRED

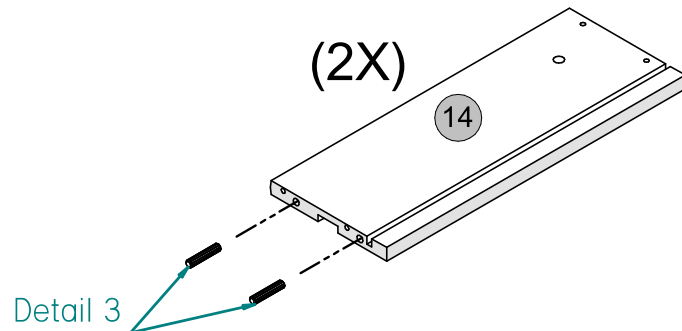
A  Ø6,0x30mm x 8

K  GLUE x 1

TOOLS REQUIRED



Detail 3



Detail 3



Detail 3

STEP 29

PARTS REQUIRED

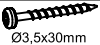
13 - Right side drawer x 2

14 - Left side drawer x 2

17 - Left drawer front x 1

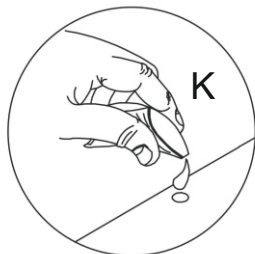
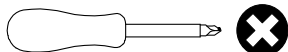
22 - Right drawer front x 1

HARDWARE REQUIRED

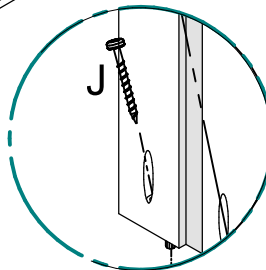
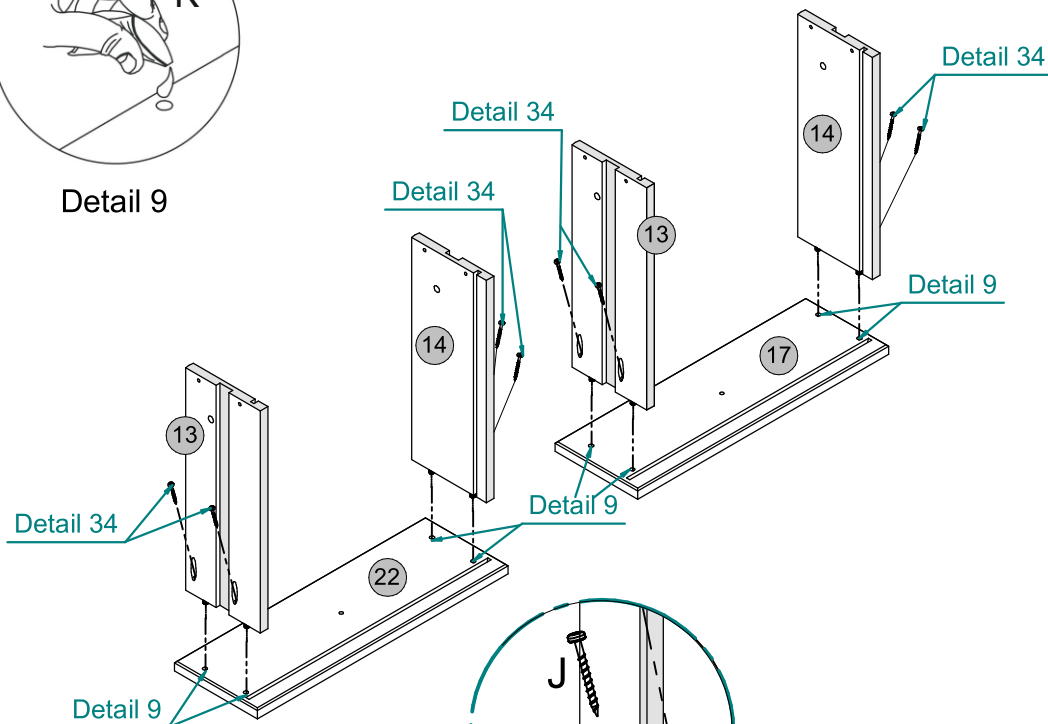
J  x 8
Ø3.5x30mm

K  x 1

TOOLS REQUIRED



Detail 9

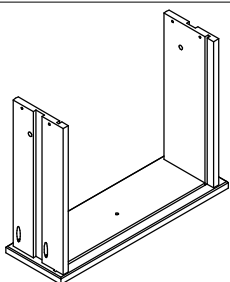


Detail 34

STEP 30

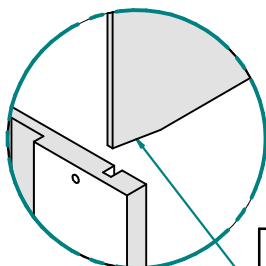
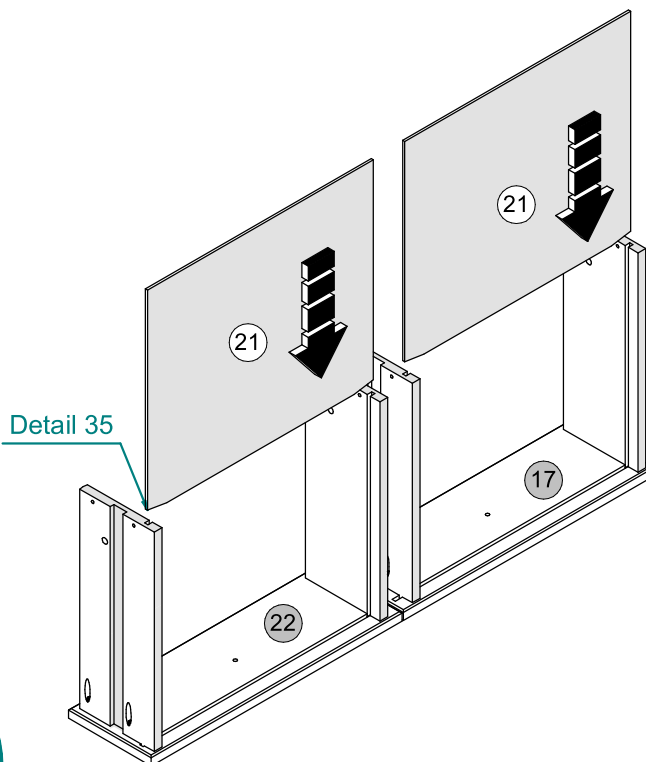
PARTS REQUIRED

21 - Drawer bottom x 2



HARDWARE REQUIRED

TOOLS REQUIRED



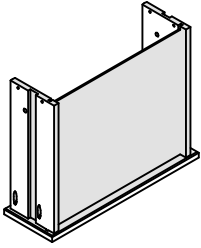
Detail 35

The cut at the bottom of the drawer must be directed towards the front of the drawer as shown in the image alongside.

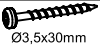
STEP 31

PARTS REQUIRED

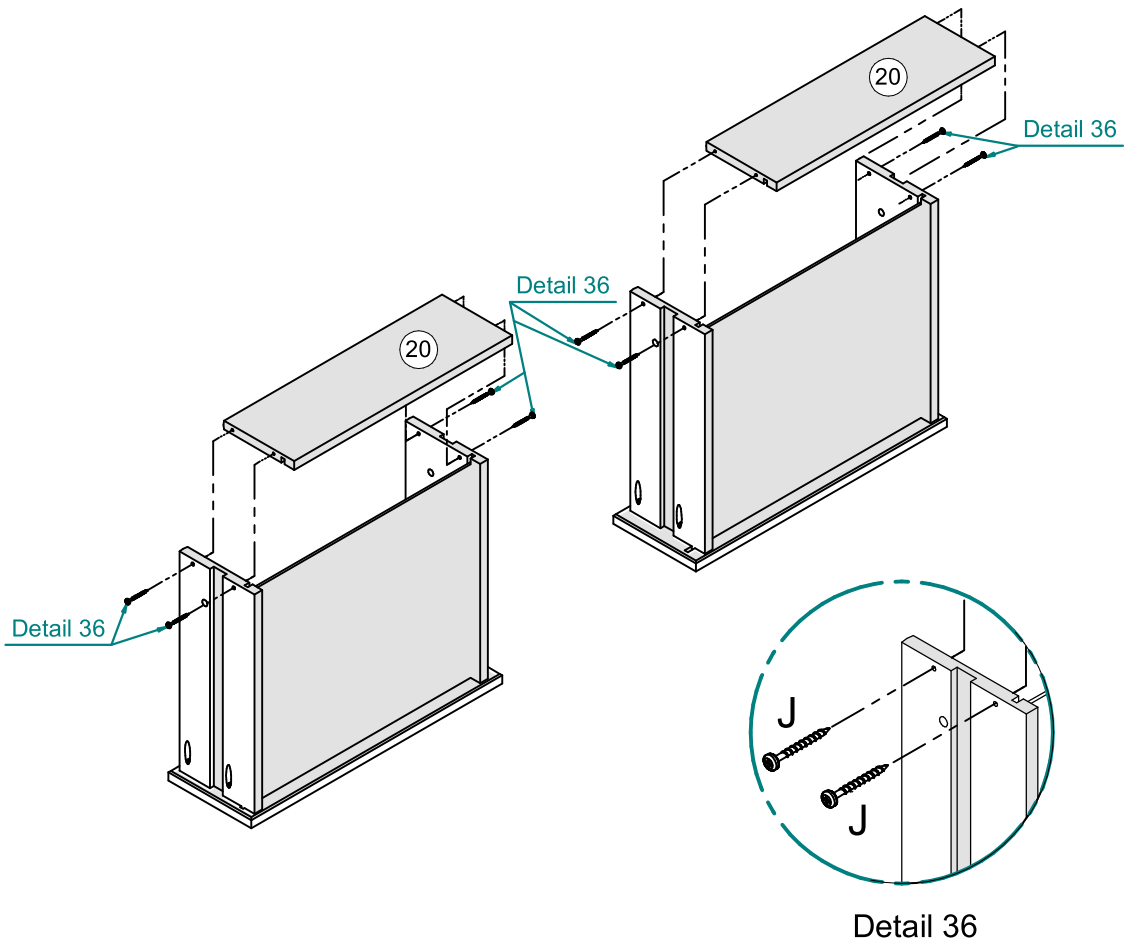
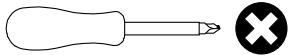
20 - Drawer back panel x 2



HARDWARE REQUIRED

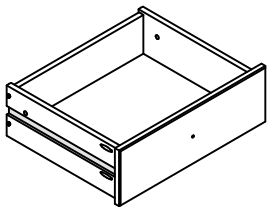
J  x 8
Ø3,5x30mm

TOOLS REQUIRED




STEP 32

PARTS REQUIRED

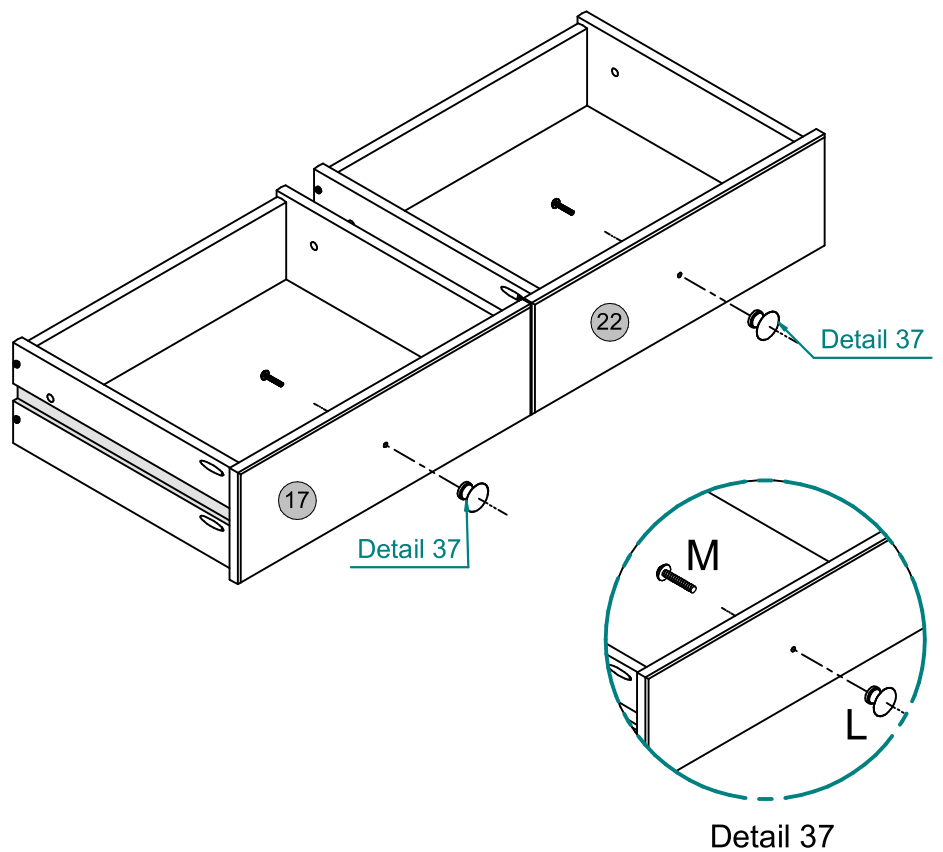
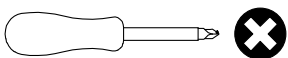


HARDWARE REQUIRED

L  x 2

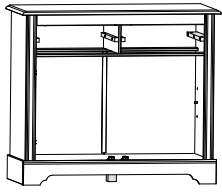
M  x 2
M4X22mm

TOOLS REQUIRED

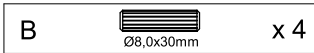


STEP 33

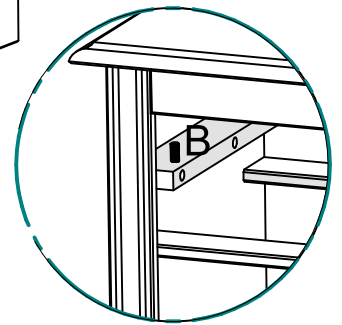
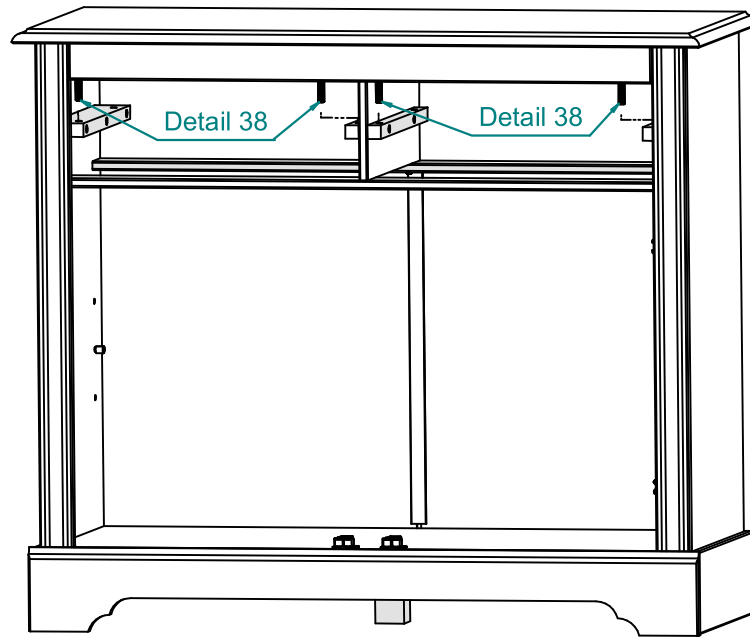
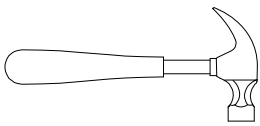
PARTS REQUIRED



HARDWARE REQUIRED



TOOLS REQUIRED

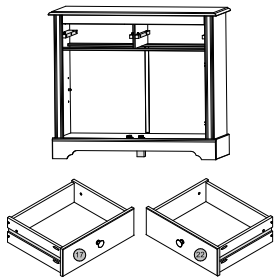


Detail 38

STEP 34

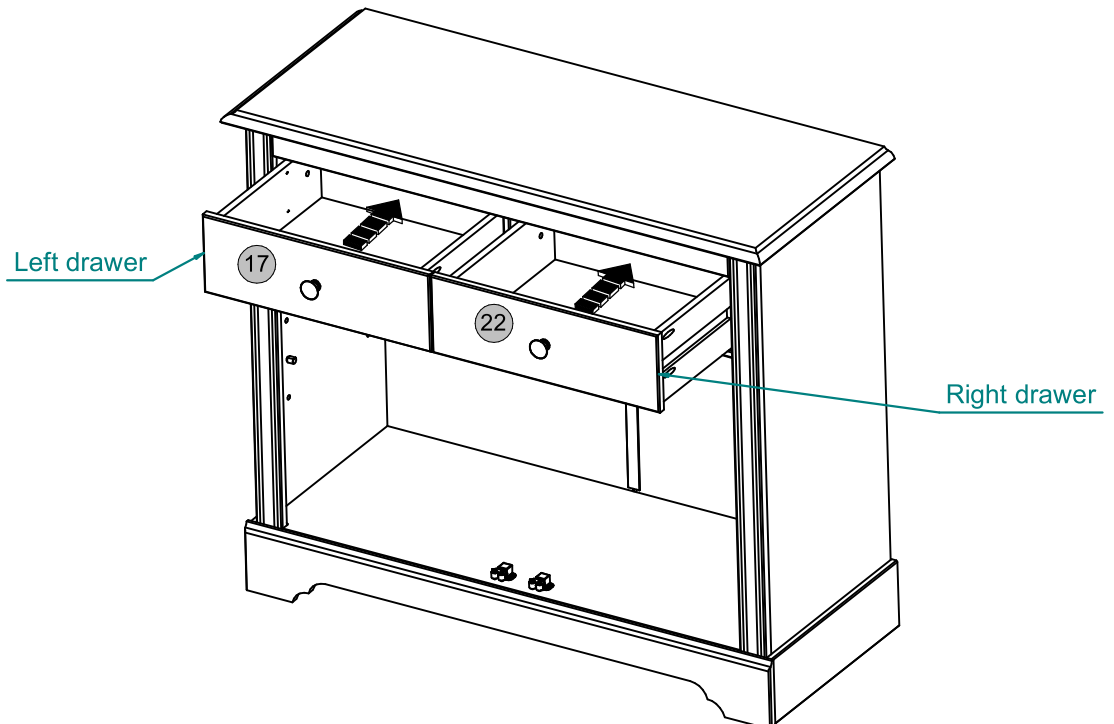
ATTENTION: Drawer number 17 is used only on the left side of the product and drawer number 22 is only on the right side of the product.

PARTS REQUIRED



HARDWARE REQUIRED

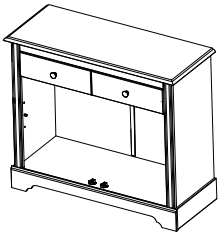
TOOLS REQUIRED



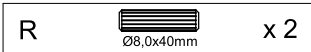
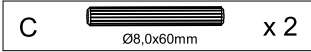
STEP 35

- After inserting the drawer, fit hardware "C" and "R" to complete the drawer locking, as shown image below.

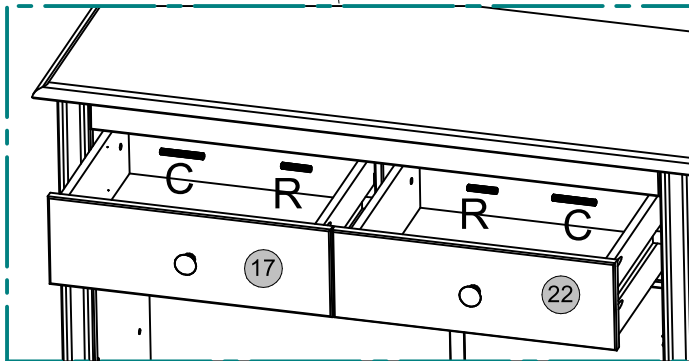
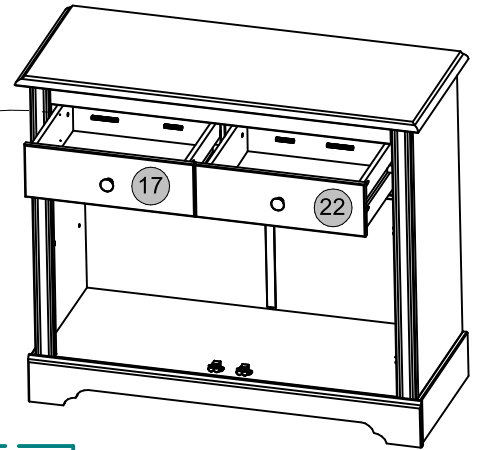
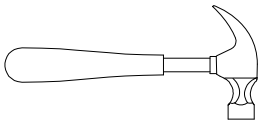
PARTS REQUIRED



HARDWARE REQUIRED



TOOLS REQUIRED

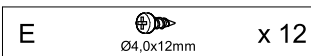


STEP 36

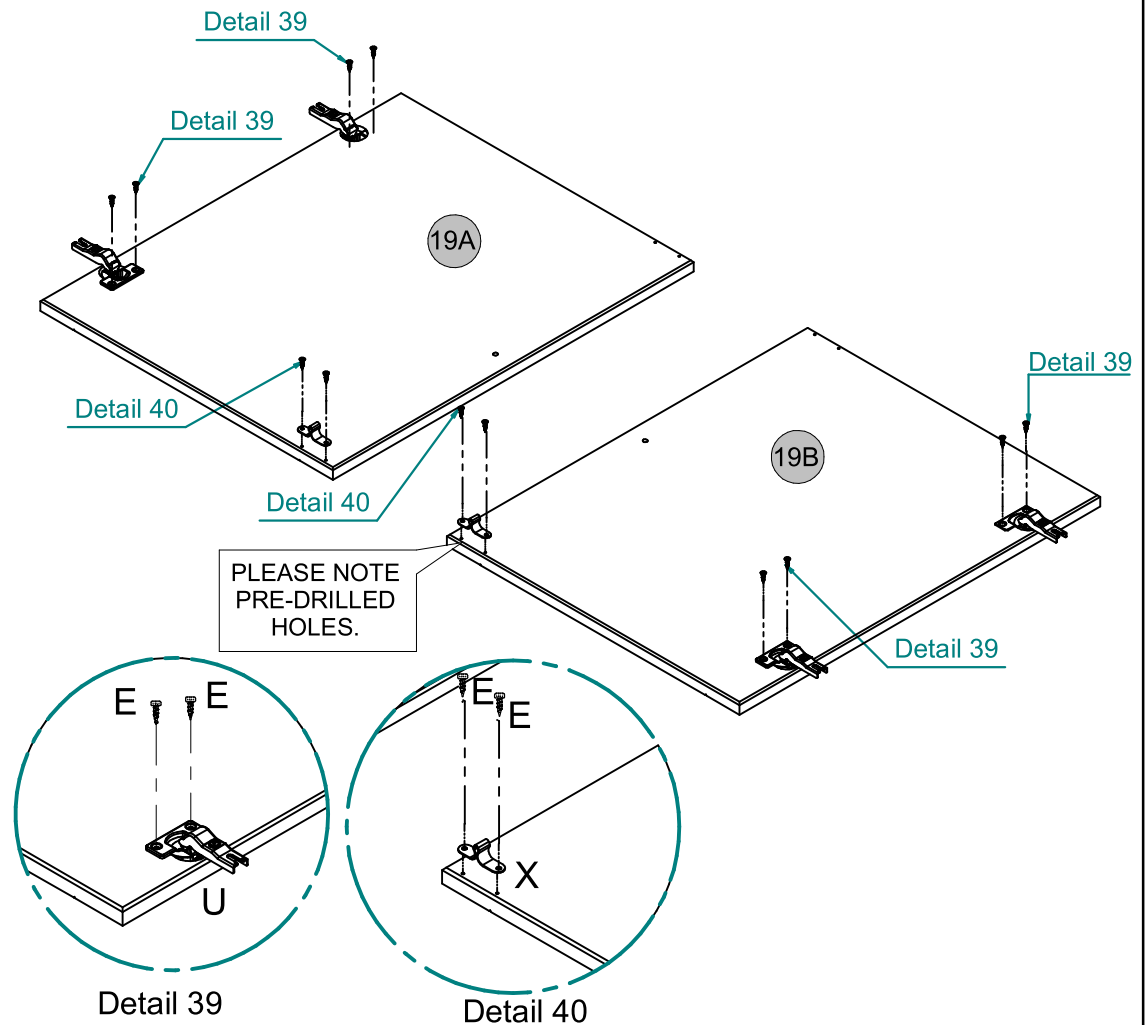
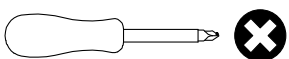
PARTS REQUIRED



HARDWARE REQUIRED



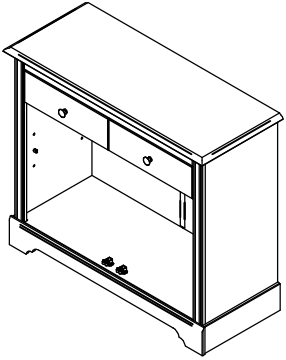
TOOLS REQUIRED



STEP 37

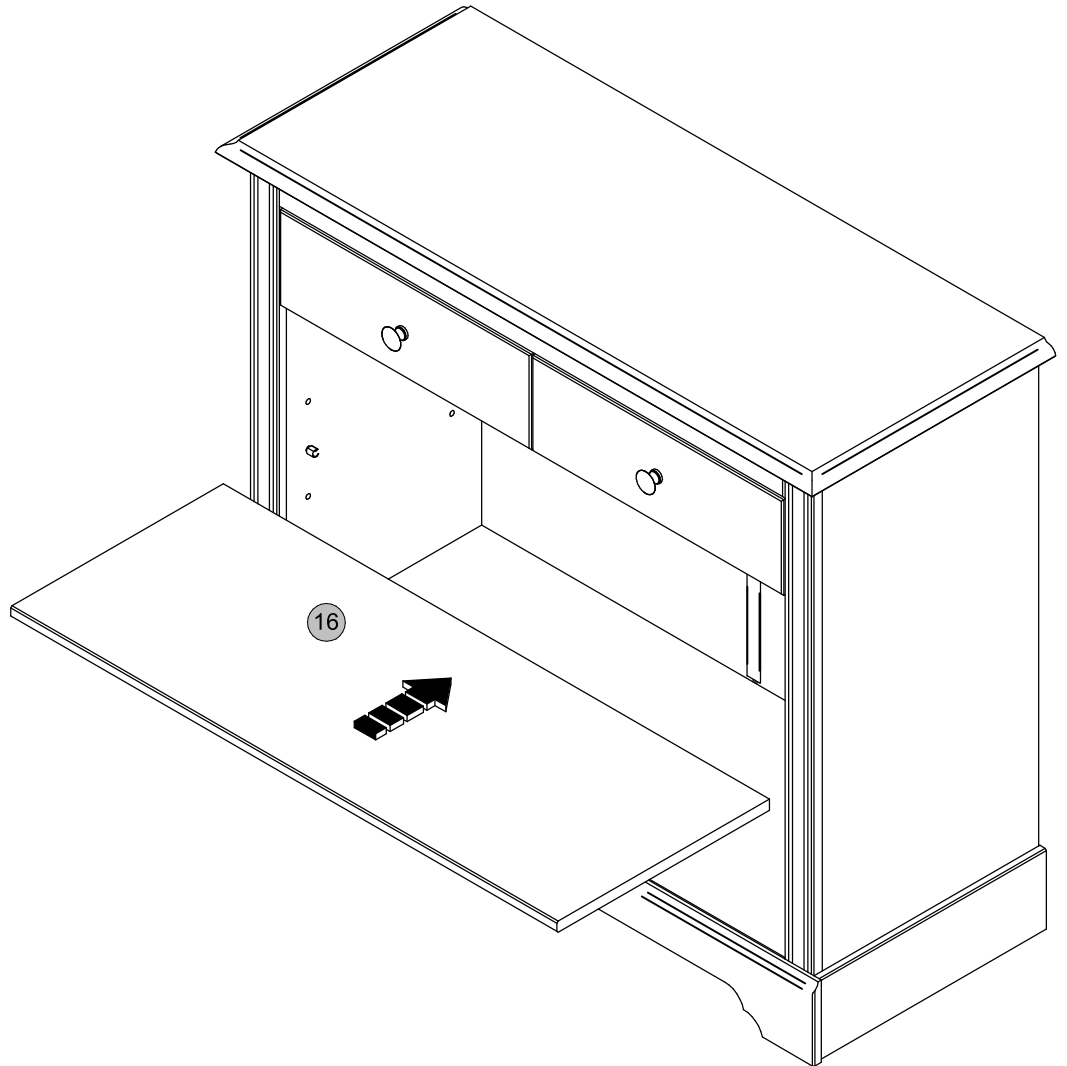
PARTS REQUIRED

16 - Shelf x 1



HARDWARE REQUIRED

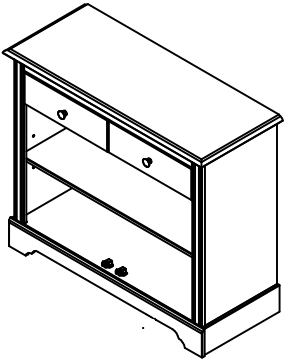
TOOLS REQUIRED



STEP 38

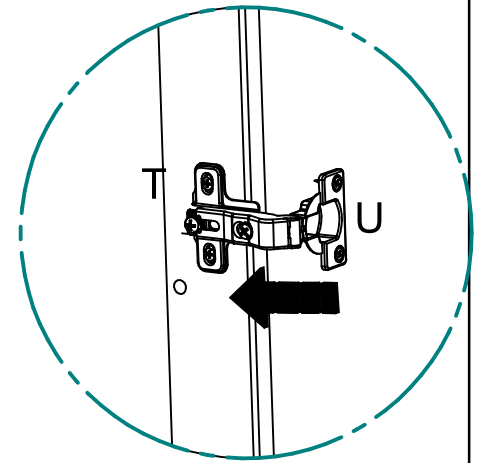
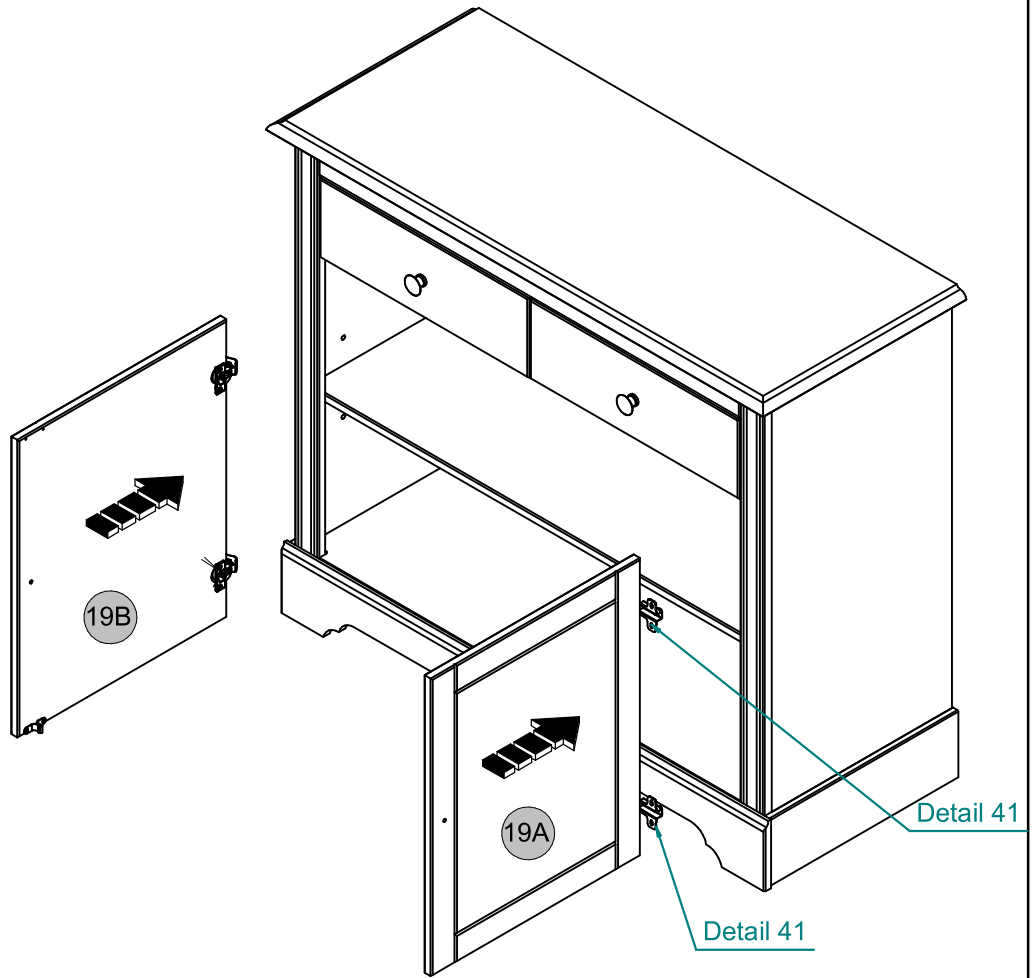
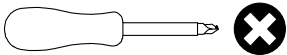
PARTS REQUIRED

19 - Door x 2



HARDWARE REQUIRED

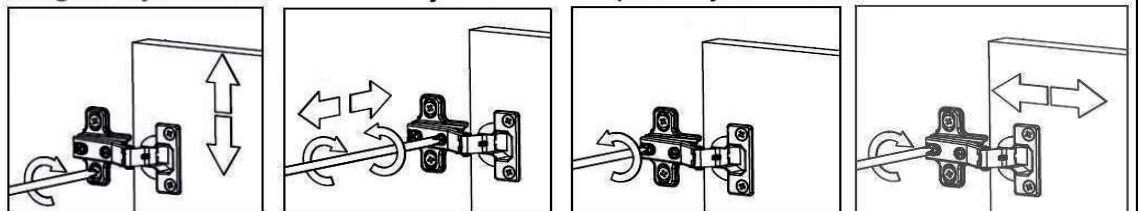
TOOLS REQUIRED



Detail 41

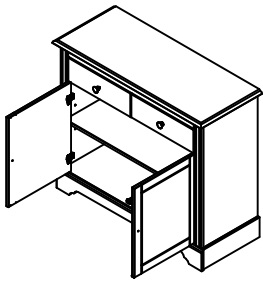
!
 SHOULD THE DOORS OF YOUR WARDROBE NOT APPEAR EVEN WHEN CLOSED THEY MAY NEED ADJUSTING. THIS CAN BE DONE AS FOLLOWS: LOOSEN SCREW "T" A LITTLE. BY TURNING SCREW "U" EITHER CLOCKWISE OR ANTICLOCKWISE (IN OR OUT) THE HINGE CAN BE ADJUSTED AND THE DOOR CORRECTLY ALIGNED. IF MORE THAN ONE HINGE NEEDS ATTENTION PLEASE ADJUST ONE AT A TIME. IF IN DOUBT PLEASE SEEK PROFESSIONAL HELP.

Height Adjustment Internal Adjustment Depth Adjustment




STEP 39

PARTS REQUIRED

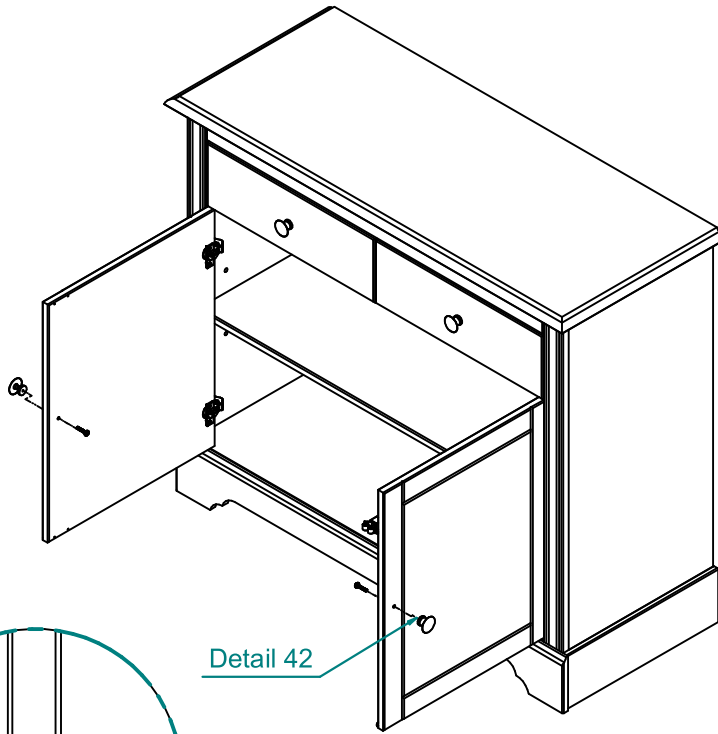
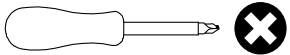


HARDWARE REQUIRED

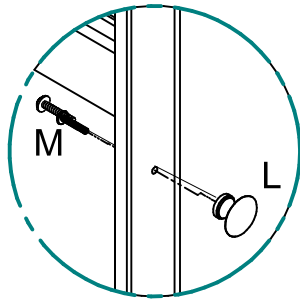
L  x 2

M  M4X22mm x 2

TOOLS REQUIRED



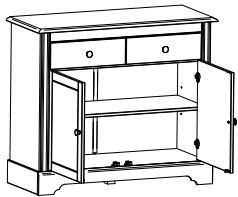
Detail 42



Detail 42

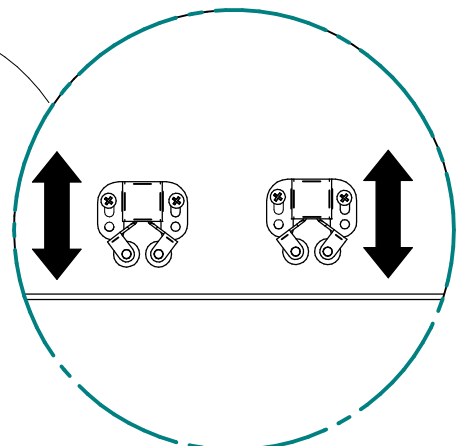
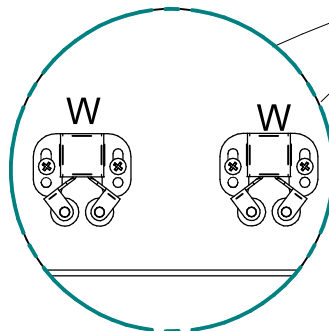
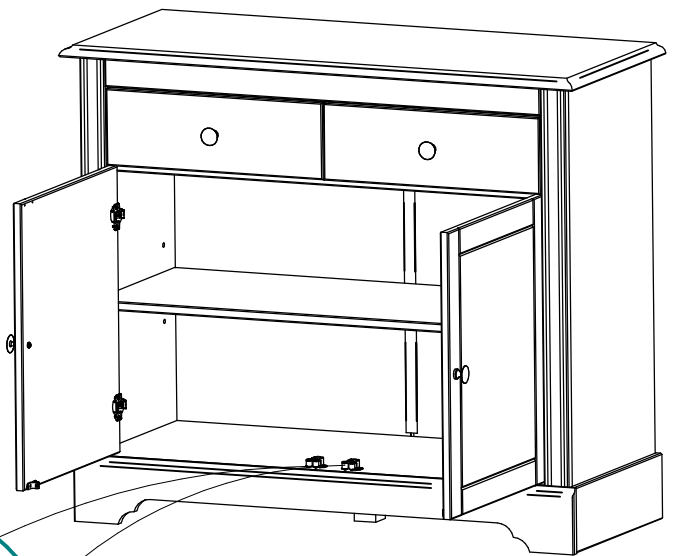
STEP 40

PARTS REQUIRED



HARDWARE REQUIRED

TOOLS REQUIRED



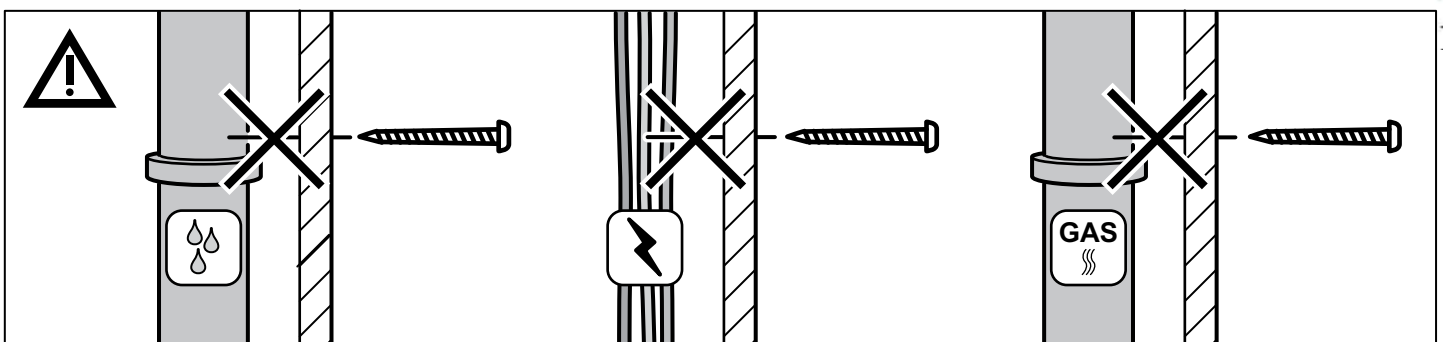
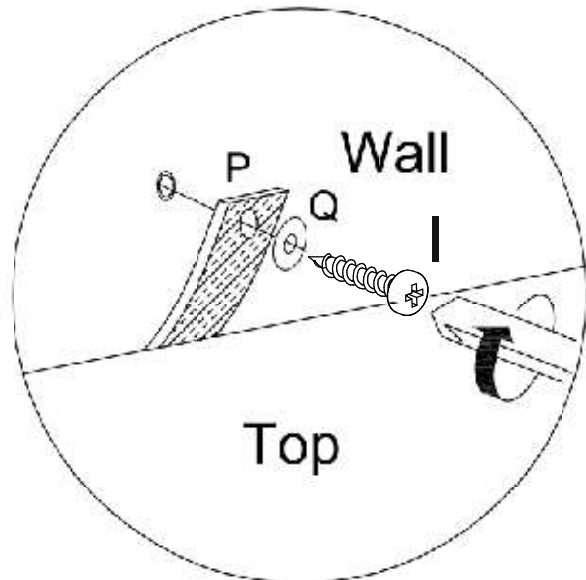
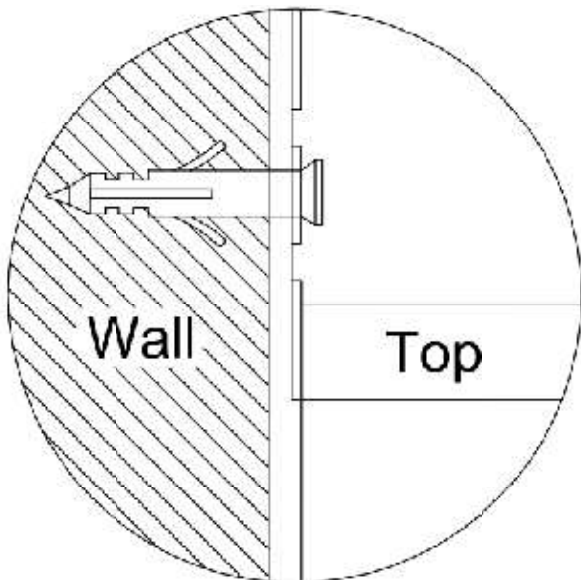
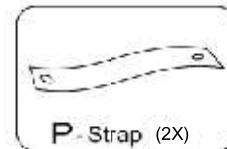
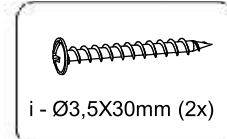
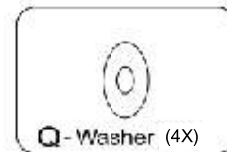
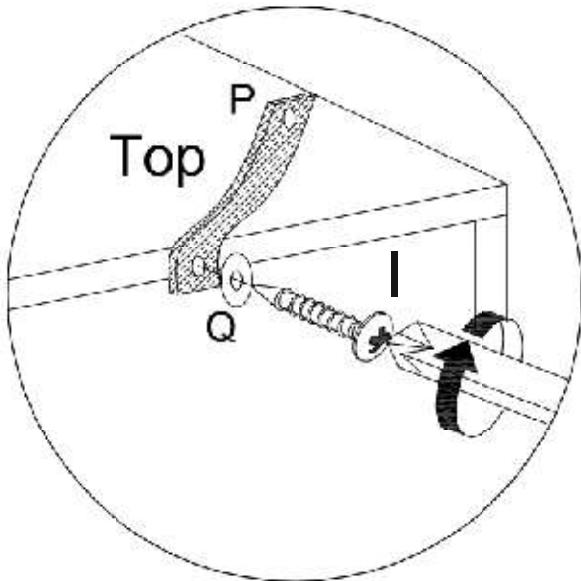
If necessary, adjust the depth of hardware "W" (as shown in the image on the side) for better alignment of the doors.

WARNING

Serious or fatal injuries can occur from furniture tipping over. To prevent the furniture from tipping over we recommend that it is permanently fixed to the wall.

Wall fixings are not supplied with this product as different wall materials require different types of fixing devices.

Please make sure you use fixings suitable for the walls in your home.



INFORMATIONS IMPORTANTES (FRENCH)	INFORMACIÓN IMPORTANTE (SPANISH)
<p style="text-align: center;">IMPORTANTE POUR USAGE DOMESTIQUE UNIQUEMENT VEUILLEZ LIRE AVANT DE CONTINUER</p> <p>Après avoir déballé ce produit, veuillez conserver l'emballage d'origine au cas où il devrait être retourné pour une raison quelconque. Veuillez vous assurer que tous les accessoires et pièces sont présents avant de commencer l'assemblage. Ne traînez ou ne poussez jamais les produits car cela pourrait endommager les joints et les rendre de qualité inférieure. Nous vous recommandons fortement de garder les enfants éloignés de votre zone de travail. Nous vous recommandons de poser une couverture ou un drap sur le sol pour éviter d'endommager à la fois votre sol et les produits. Assemblez ce produit aussi près que possible de sa position finale. Ne placez pas ce produit à côté d'un radiateur ou en plein soleil. Ne traînez pas et ne poussez pas d'objets sur votre meuble brillant car cela pourrait rayer la surface. Le bois est un produit naturel et peut se dilater s'il est exposé à l'humidité et peut rétrécir ou se fissurer s'il est exposé à la chaleur. Par conséquent, il est recommandé de maintenir la température ambiante, sans fluctuations brusques de température. Assurez-vous que tout déversement est immédiatement essuyé. Ne placez pas d'objets chauds ou froids directement sur la surface, utilisez un set de table ou des marques se produiront. Pour le nettoyage général, utilisez un chiffon doux en coton ou en microfibre et n'utilisez aucun détergent. De temps en temps, il peut être nécessaire de resserrer les raccords, des inspections régulières doivent être effectuées. Ne placez pas l'appareil sur un sol mouillé ou humide, car des taches pourraient apparaître sur votre sol.</p> <p style="text-align: center;">ADVERTENCIA (ANTI-BASCULEMENT)</p> <p>Des blessures graves, voire mortelles, peuvent survenir en cas de basculement d'un meuble. Pour éviter que le meuble ne bascule, nous recommandons de le fixer de manière permanente au mur.</p> <p>Les fixations murales ne sont pas fournies avec ce produit, car les différents matériaux de mur nécessitent différents types de dispositifs de fixation. Veuillez vous assurer d'utiliser des fixations adaptées aux murs de votre maison. Veuillez vous référer à la dernière page.</p>	<p style="text-align: center;">IMPORTANTE SOLO PARA USO DOMÉSTICO LEER ANTES DE CONTINUAR</p> <p>Después de desembalar este producto, conserve el embalaje original por si necesita devolverlo por cualquier motivo. Asegúrese de que todos los accesorios y piezas estén presentes antes de comenzar con el montaje. Nunca arrastre ni empuje los productos, ya que esto podría dañar las juntas y hacerlos de peor calidad. Recomendamos encarecidamente que mantenga a los niños alejados de su área de trabajo. Recomendamos que coloque una manta o sábana en el suelo para evitar dañar tanto el suelo como los productos. Monte este producto lo más cerca posible de su posición final. No coloque este producto junto a un radiador o bajo la luz solar directa. No arrastre ni empuje elementos sobre sus muebles de alto brillo, ya que esto puede hacer que la superficie se raye. La madera es un producto natural y puede expandirse si se expone a la humedad y puede encogerse o agrietarse si se expone al calor. Por lo tanto, se recomienda mantener la temperatura ambiente, sin fluctuaciones repentinas de temperatura. Asegúrese de limpiar cualquier derrame de inmediato. No coloque elementos calientes o fríos directamente sobre la superficie, utilice un mantel individual o se producirán marcas. Para la limpieza general, utilice un paño suave de algodón o microfibra y no utilice detergentes de ningún tipo. De vez en cuando puede ser necesario apretar los accesorios; se deben realizar inspecciones periódicas. No lo coloque sobre un suelo húmedo o mojado, ya que podría mancharlo.</p> <p style="text-align: center;">ADVERTENCIA (ANTI-VUELCO)</p> <p>El vuelco de los muebles puede provocar lesiones graves o fatales. Para evitar que los muebles se vuelquen, recomendamos fijarlos permanentemente a la pared.</p> <p>Este producto no incluye fijaciones de pared, ya que los distintos materiales de pared requieren distintos tipos de dispositivos de fijación. Asegúrese de utilizar fijaciones adecuadas para las paredes de su hogar. Veuillez vous référer à la dernière page.</p>
<p style="text-align: center;">WICHTIGE INFORMATIONEN (GERMAN)</p>	<p style="text-align: center;">INFORMAZIONI IMPORTANTI (ITALIAN)</p>
<p style="text-align: center;">WICHTIGUR FÜR DEN HAUSHALTSGEBRAUCH BITTE LESEN SIE, BEVOR SIE FORTFAHREN</p> <p>Bewahren Sie nach dem Auspacken dieses Produkts die Originalverpackung auf, falls es aus irgendeinem Grund zurückgegeben werden muss. Bitte stellen Sie sicher, dass alle Beschläge und Teile vorhanden sind, bevor Sie mit der Montage beginnen. Ziehen oder schieben Sie Produkte niemals, da dies zu Schäden an den Verbindungen führen und die Qualität beeinträchtigen könnte. Wir empfehlen dringend, Kinder von Ihrem Arbeitsbereich fernzuhalten. Wir empfehlen, eine Decke oder ein Laken auf den Boden zu legen, um Schäden an Ihrem Boden und den Produkten zu vermeiden. Montieren Sie dieses Produkt so nah wie möglich an seiner endgültigen Position. Stellen Sie dieses Produkt nicht neben eine Heizung oder in direktes Sonnenlicht. Ziehen oder schieben Sie keine Gegenstände über Ihre Hochglanzmöbel, da dies zu Kratzern auf der Oberfläche führen kann. Holz ist ein Naturprodukt und kann sich bei Feuchtigkeit ausdehnen und bei Hitze schrumpfen oder reißen. Daher wird empfohlen, die Raumtemperatur beizubehalten und plötzliche Temperaturschwankungen zu vermeiden. Stellen Sie sicher, dass verschüttete Flüssigkeiten sofort abgewischt werden. Stellen Sie keine heißen oder gekühlten Gegenstände direkt auf die Oberfläche. Verwenden Sie ein Platzdeckchen, da sonst Flecken entstehen. Verwenden Sie zur allgemeinen Reinigung ein weiches Baumwoll- oder Mikrofaser Tuch und keinerlei Reinigungsmittel. Von Zeit zu Zeit kann es erforderlich sein, die Armaturen nachzuziehen. Regelmäßige Inspektionen sollten durchgeführt werden. Stellen Sie das Gerät nicht auf einen nassen oder feuchten Boden, da es sonst zu Flecken kommen kann.</p> <p style="text-align: center;">WARNUNG (KIPPSCHUTZ)</p> <p>Durch das Umkippen von Möbeln können schwere oder tödliche Verletzungen entstehen. Um ein Umkippen der Möbel zu verhindern, empfehlen wir, diese dauerhaft an der Wand zu befestigen. Wandbefestigungen werden nicht mit diesem Produkt mitgeliefert, da unterschiedliche Wandmaterialien unterschiedliche Arten von Befestigungsvorrichtungen erfordern. Bitte stellen Sie sicher, dass Sie Befestigungsverwenden, die für die Wände in Ihrem Zuhause geeignet sind. Bitte beachten Sie die letzte Seite.</p>	<p style="text-align: center;">IMPORTANTE, SOLO PER USO DOMESTICO SI PREGA DI LEGGERE PRIMA DI CONTINUARE OLTRE</p> <p>Dopo aver disimballato questo prodotto, conservare la confezione originale nel caso in cui debba essere restituito per qualsiasi motivo. Assicurarsi che tutti i raccordi e le parti siano presenti prima di iniziare il montaggio. Non trascinare o spingere mai i prodotti poiché ciò potrebbe danneggiare i giunti rendendoli di qualità inferiore. Si consiglia vivamente di tenere i bambini lontani dall'area di lavoro. Si consiglia di stendere una coperta o un lenzuolo sul pavimento per evitare danni sia al pavimento che ai prodotti. Montare questi prodotti il più vicino possibile alla loro posizione finale. Non posizionare questo prodotto accanto a un radiatore o alla luce diretta del sole. Non trascinare o spingere oggetti sui mobili lucidi poiché ciò potrebbe causare graffi sulla superficie. Il legno è un prodotto naturale e può espandersi se esposto all'umidità e può restringersi o rompersi se esposto al calore. Pertanto si consiglia di mantenere la temperatura ambiente, senza improvvise fluttuazioni di temperatura. Assicurarsi che eventuali fuoriuscite vengano immediatamente pulite. Non posizionare oggetti caldi o freddi direttamente sulla superficie, utilizzare un sottopiatto o si verificheranno delle marcature. Per la pulizia generale, utilizzare un panno morbido di cotone o microfibra e non utilizzare detergenti di alcun tipo. Di tanto in tanto potrebbe essere necessario stringere i raccordi, è necessario effettuare ispezioni regolari. Non posizionare su un pavimento bagnato o umido poiché potrebbero verificarsi macchie sul pavimento.</p> <p style="text-align: center;">AVVERTIMENTO (ANTIRIBALTAMENTO)</p> <p>Il ribaltamento dei mobili può provocare lesioni gravi e mortali. A evitare che i mobili si ribaltino, si consiglia di farlo fissato permanentemente al muro.</p> <p>I fissaggi a parete non sono forniti con questo prodotto in quanto parete diversa i materiali richiedono diversi tipi di dispositivi di fissaggio. Per favore, fallo assicurati di utilizzare fissaggi adatti alle pareti della tua casa. Si prega di fare riferimento all'ultima pagina.</p>