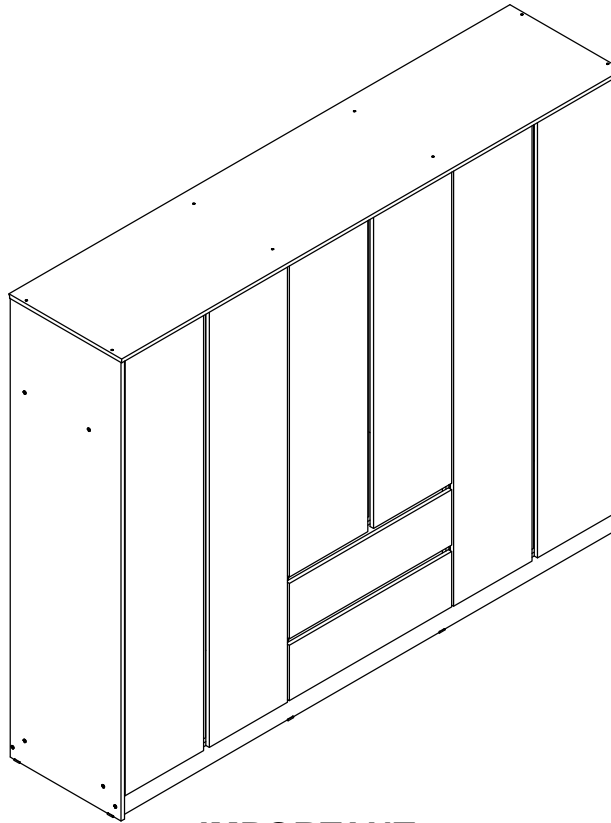
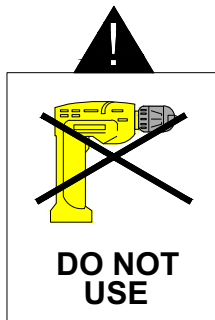


MALVERN 6 DOOR 2 DRAWER WARDROBE ASSEMBLY INSTRUCTIONS



IMPORTANT FOR DOMESTIC USE ONLY PLEASE READ BEFORE YOU CONTINUE FURTHER

THE PRODUCT YOU HAVE PURCHASED WILL GIVE YOU MANY YEARS OF SERVICE IF YOU FOLLOW THE GUIDELINES FOR ITS SAFE ASSEMBLY AND PERIODIC MAINTENANCE AND CLEANING.

ASSEMBLE ON A SOFT CLEAN SURFACE.

DO NOT USE ANY TOOLS OTHER THAN THOSE SHOWN.

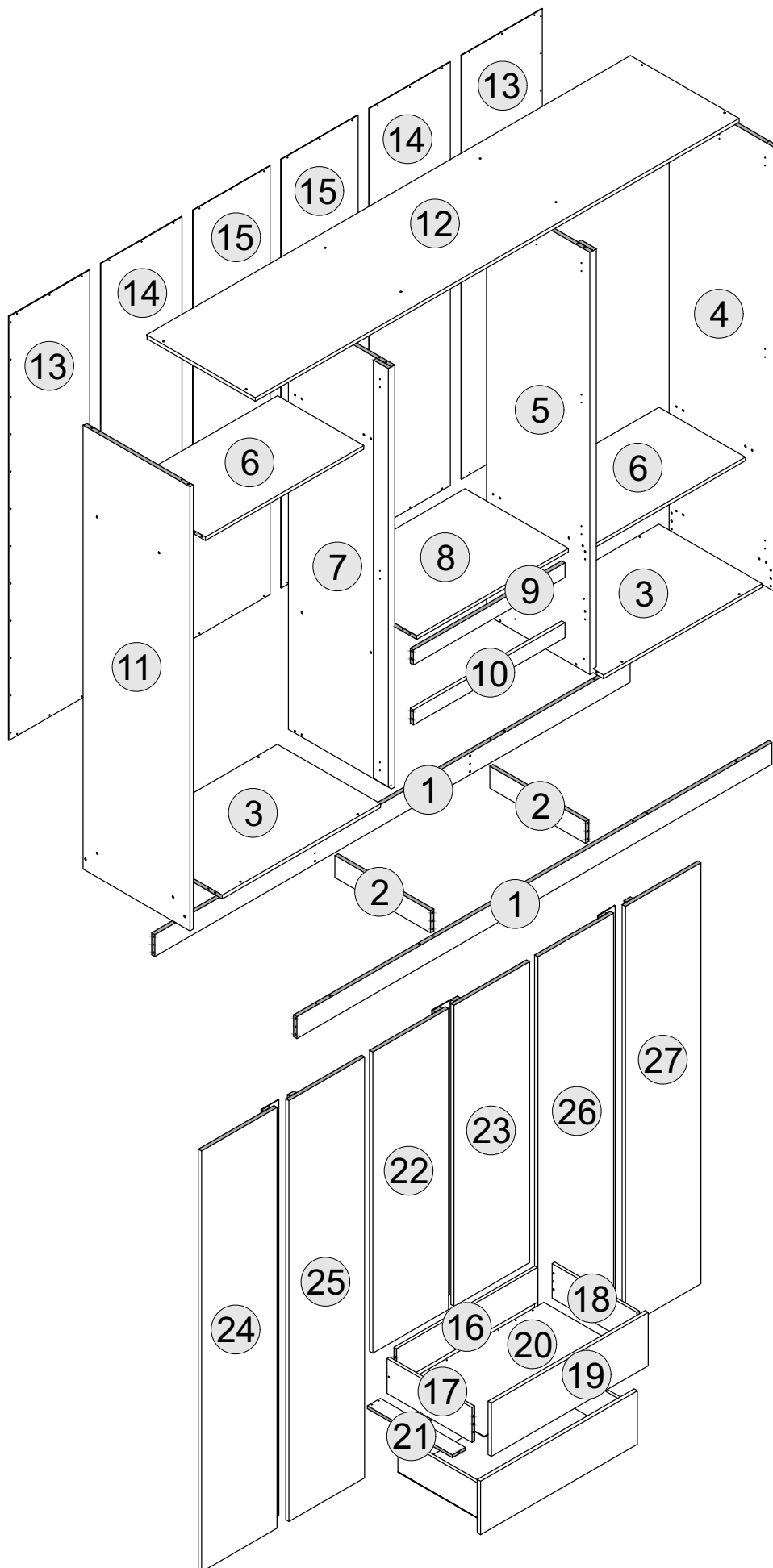
ANY SPANNERS OR ALLEN KEYS REQUIRED ARE INCLUDED WITH THE FITTINGS KIT.

DO NOT FOR ANY REASON USE A POWER TOOL TO ASSEMBLE THIS PRODUCT. ITS USE WILL INVALIDATE ANY CLAIM YOU MAY HAVE AND COULD MAKE THIS PRODUCT UNSAFE.

DEPENDING ON THE AMOUNT OF USE THIS PRODUCT RECEIVES IT MAY BE NECESSARY TO TIGHTEN UP THE FIXINGS FROM TIME TO TIME. THIS IS COMPLETELY NORMAL FOR ANY FLAT PACK FURNITURE. DO NOT OVERTIGHTEN FIXING.

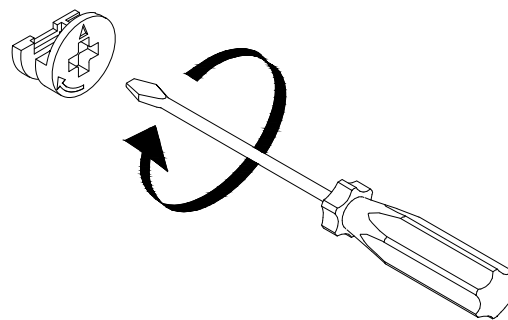
FOR CLEANING, YOU MAY USE A DAMP CLOTH (NOT WET) DO NOT USE POLISH, DETERGENT OR CHEMICAL CLEANERS.

THE SURFACE OF THIS ITEM IS NOT HEAT RESISTANT. ALWAYS USE A PLACE MAT UNDER HOT OR COLD ITEMS TO PREVENT MARKING.



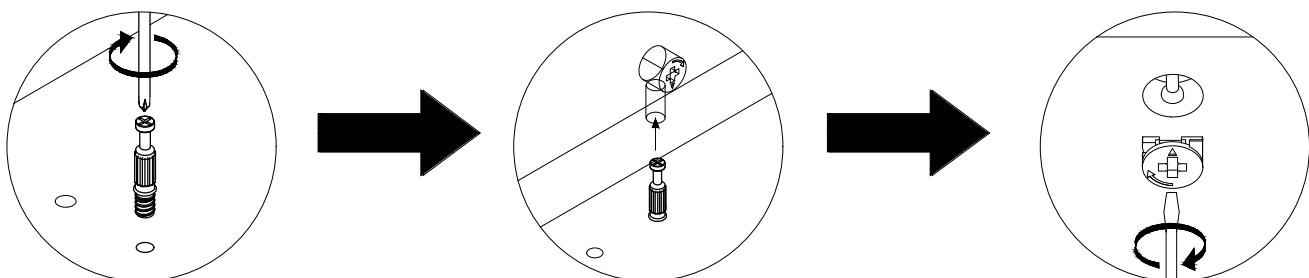
PART LIST

Part Number	Part Code	Part Description	Quantity	Carton
1	S100-101-239-EU1-01	Base Apron	2	3/5
2	S100-101-239-EU1-02	Middle Base Apron	2	3/5
3	S100-101-239-EU1-03	Bottom Panel	2	3/5
4	S100-101-239-EU1-04	Side Panel - Right	1	1/5
5	S100-101-239-EU1-05	Centre Panel - Right	1	2/5
6	S100-101-239-EU1-06	Side Shelf Panel	2	2/5
7	S100-101-239-EU1-07	Centre Panel - Left	1	2/5
8	S100-101-239-EU1-08	Middle Shelf Panel	1	3/5
9	S100-101-239-EU1-09	Front Crossbar	1	5/5
10	S100-101-239-EU1-10	Bottom Front Crossbar	1	5/5
11	S100-101-239-EU1-11	Side Panel - Left	1	1/5
12	S100-101-239-EU1-12	Top Panel	1	3/5
13	S100-101-239-EU1-13	Back Panel 1	2	1/5
14	S100-101-239-EU1-14	Back Panel 2	2	1/5
15	S100-101-239-EU1-15	Back Panel 3	2	1/5
16	S100-101-239-EU1-16	Drawer Back	2	5/5
17	S100-101-239-EU1-17	Drawer Side - Left	2	5/5
18	S100-101-239-EU1-18	Drawer Side - Right	2	5/5
19	S100-101-239-EU1-19	Drawer Front	2	5/5
20	S100-101-239-EU1-20	Drawer Base	2	2/5
21	S100-101-239-EU1-21	Drawer Base Support Rail	2	5/5
22	S100-101-239-EU1-22	Door 1	1	5/5
23	S100-101-239-EU1-23	Door 2	1	5/5
24	S100-101-239-EU1-24	Door 3	1	4/5
25	S100-101-239-EU1-25	Door 4	1	4/5
26	S100-101-239-EU1-26	Door 5	1	4/5
27	S100-101-239-EU1-27	Door 6	1	4/5



(SCREWDRIVER NOT PROVIDED)

USE A FLAT HEAD SCREWDRIVER TO TIGHTEN THE CAM NUTS. A QUARTER TURN CLOCKWISE IS ALL THAT IS NEEDED.


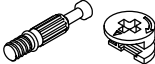
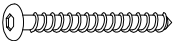

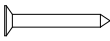
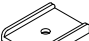
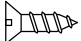













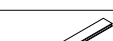





STEP 1 - USE A CROSS SLOT SCREWDRIVER TO TIGHTEN THE CAM BOLT INTO THE HOLE.

STEP 2 - ALIGN THE CAM BOLT WITH THE HOLE AND PUSH TOGETHER UNTIL FLUSH. (MAKE SURE THE ARROW OF THE CAM LOCK IS POINTING TOWARDS THE EDGE OF THE PANEL.)

STEP 3 - THE HEAD OF THE BOLT GOES INTO THE WIDE MOUTH OF THE CAM LOCK. YOU THEN TURN THE LOCK SO THE NARROW PART CLOSES OVER THE BOLT.

HARDWARE LIST

A		DOWEL 6 X 30MM	72 PCS
B		CAM BOLT + CAM NUT	14 SETS
C		BOLT M6 X 50MM	24 PCS
D		SCREW M3.5 X 16MM	59 PCS
E		TACK	62 PCS
F		PLASTIC FOOT	8 PCS
G		SCREW M3.5 X 12MM	50 PCS
H		TAPPING SCREW M8 X 12MM	36 PCS
I		ALLEN KEY	1 PC
J		HANGING RAIL (A)	2 PCS
K		SCREW M6 X 50MM	16 PCS
L		PLASTIC H STRIP	4 PCS
M		PVC STOPPER	3 PCS
N		HINGES 7/8	6 PCS
O		HINGES 5/8	12 PCS
P		HANGING RAIL SUPPORT	6 PCS
Q		DRAWER RUNNER A - L/R	4 PCS
R		DRAWER RUNNER B - L/R	4 PCS
S		SCREW M4 X 25MM	4 PCS
T		SCREW M4 X 38MM	4 PCS
U		PLASTIC H STRIP LONG	1 PC
V		ANTI - TIP STRAP	2 PCS
W		SCREW M4 X 16MM	2 PCS
X		HANGING RAIL (B)	1 PC

STEP 1

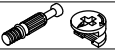
PARTS REQUIRED

1 - BASE APRON x2

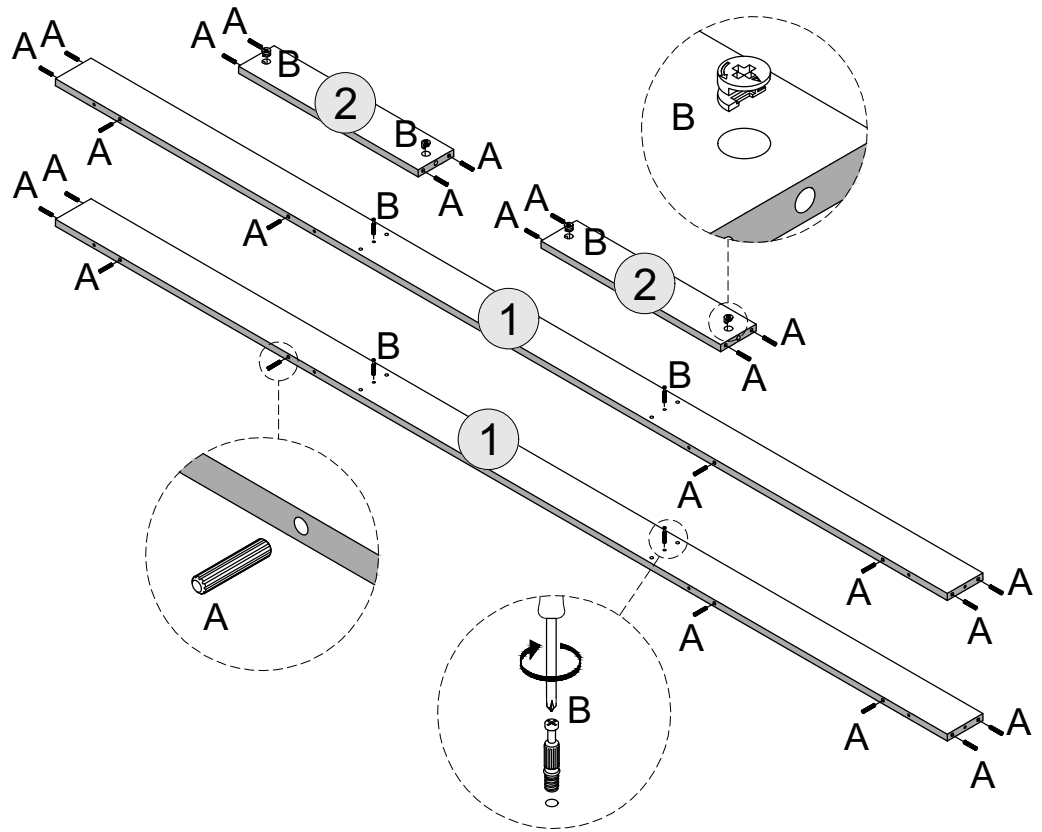
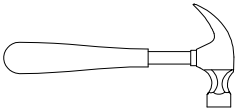
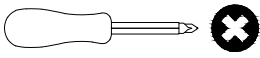
2 - MIDDLE BASE APRON x2

HARDWARE REQUIRED

A  24

B  04

TOOLS REQUIRED



STEP 2

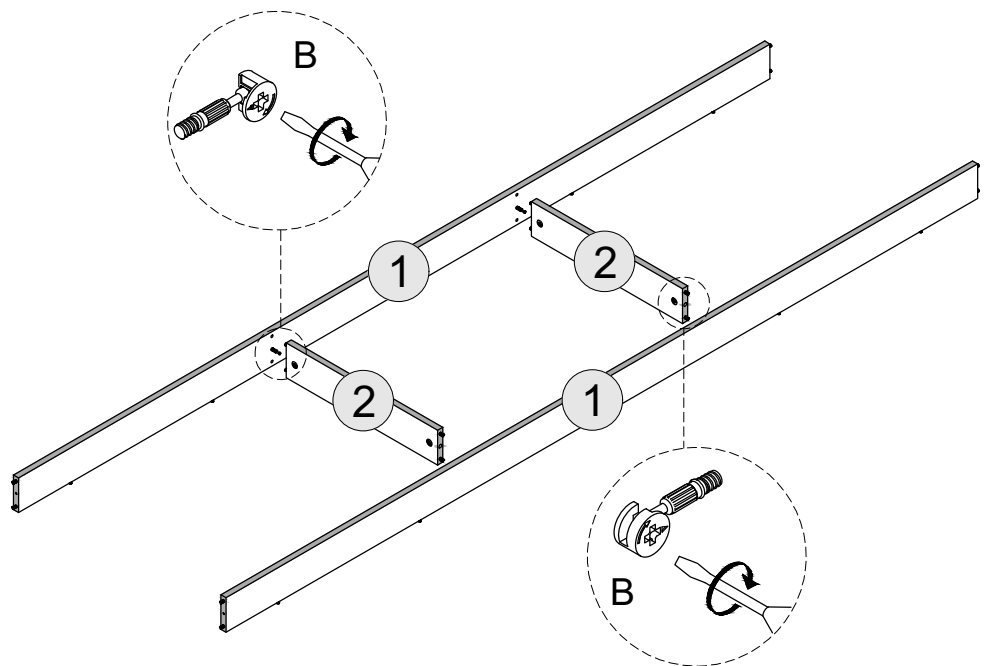
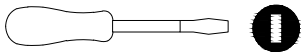
PARTS REQUIRED

1 - BASE APRON x2

2 - MIDDLE BASE APRON x2

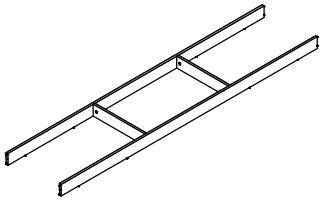
HARDWARE REQUIRED

TOOLS REQUIRED

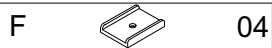
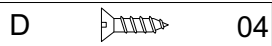


STEP 3

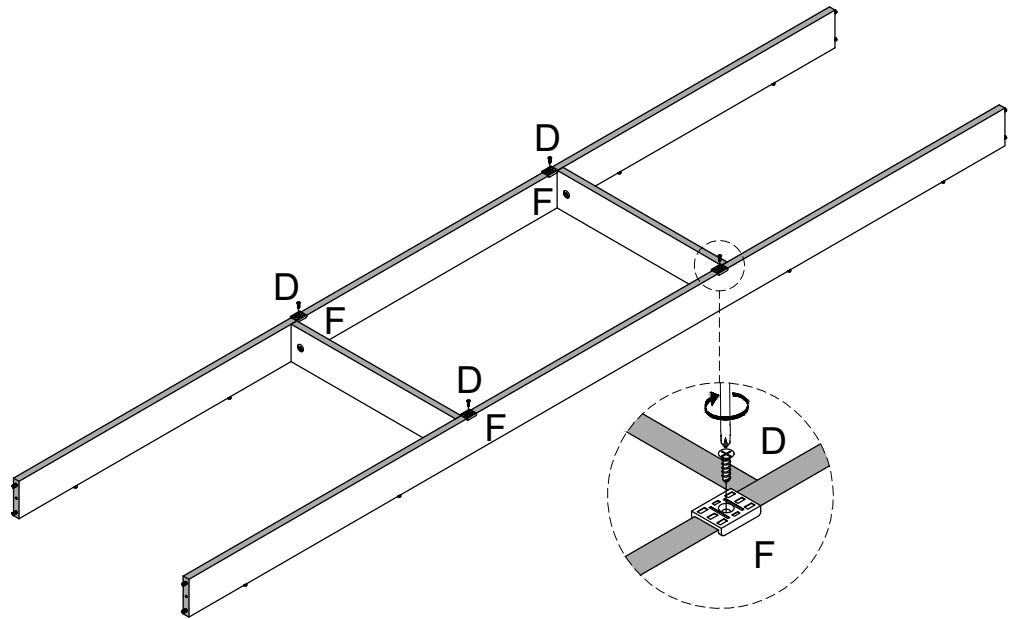
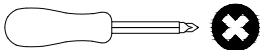
PARTS REQUIRED



HARDWARE REQUIRED



TOOLS REQUIRED



STEP 4

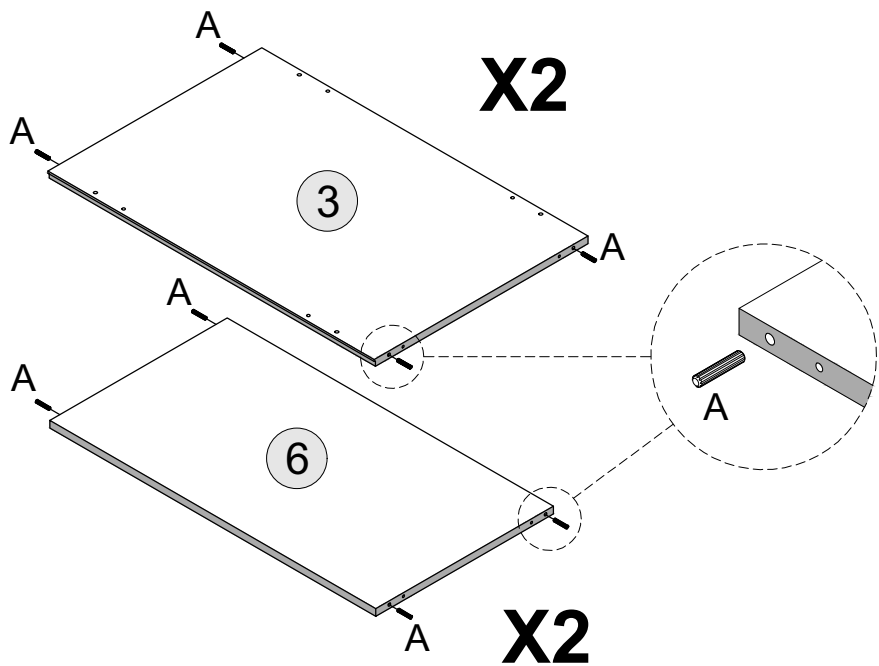
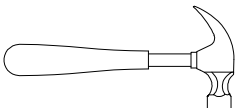
PARTS REQUIRED



HARDWARE REQUIRED



TOOLS REQUIRED


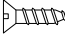

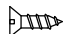



STEP 5

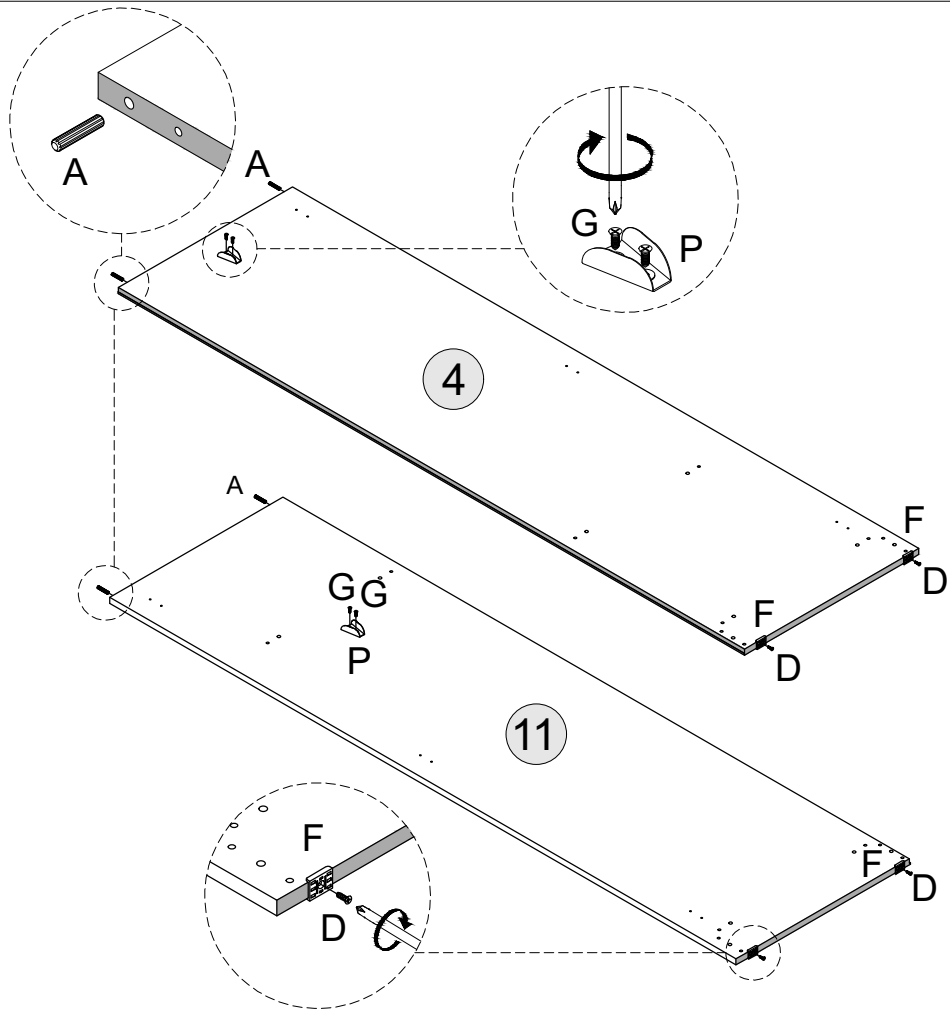
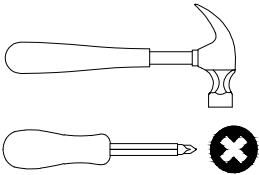
PARTS REQUIRED

4 - SIDE PANEL - RIGHT	x1
11 - SIDE PANEL - LEFT	x1

HARDWARE REQUIRED

A		04
D		04
F		04
G		04
P		02

TOOLS REQUIRED



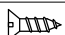

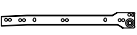


STEP 6

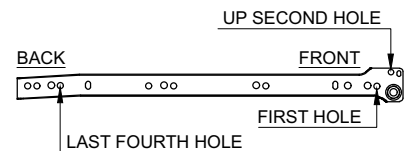
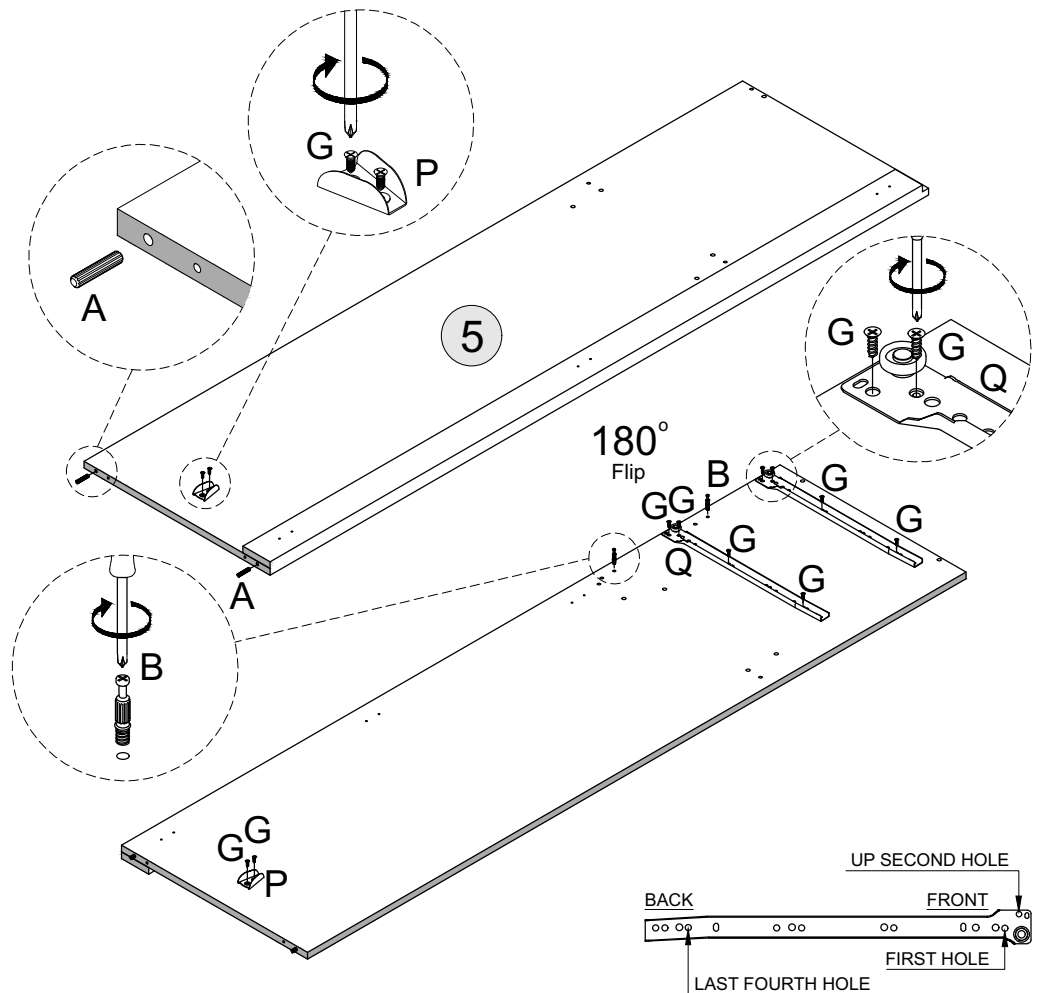
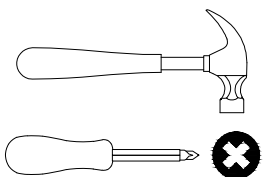
PARTS REQUIRED

5 - CENTRE PANEL - RIGHT	x1
--------------------------	----

HARDWARE REQUIRED

A		02
B		02
G		12
P		02
Q		02

TOOLS REQUIRED



STEP 7

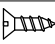
PARTS REQUIRED

7 - CENTRE PANEL - LEFT x1

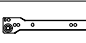
HARDWARE REQUIRED

A  02

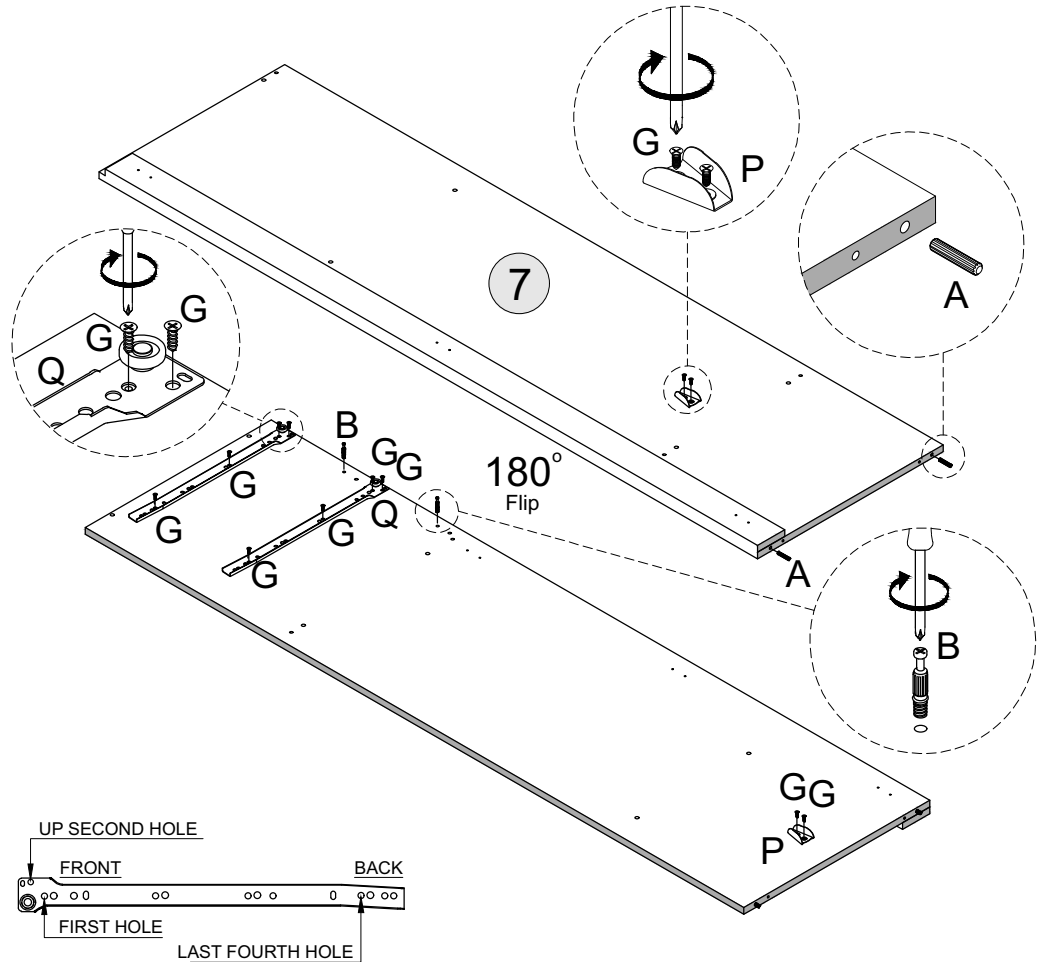
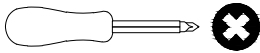
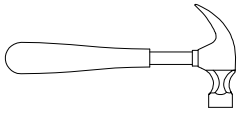
B  02

G  12

P  02

Q  02

TOOLS REQUIRED



STEP 8

PARTS REQUIRED

8 - MIDDLE SHELF PANEL x1

9 - FRONT CROSSBAR x1

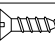
10 - BOTTOM FRONT CROSSBAR x1

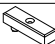
12 - TOP PANEL x1

HARDWARE REQUIRED

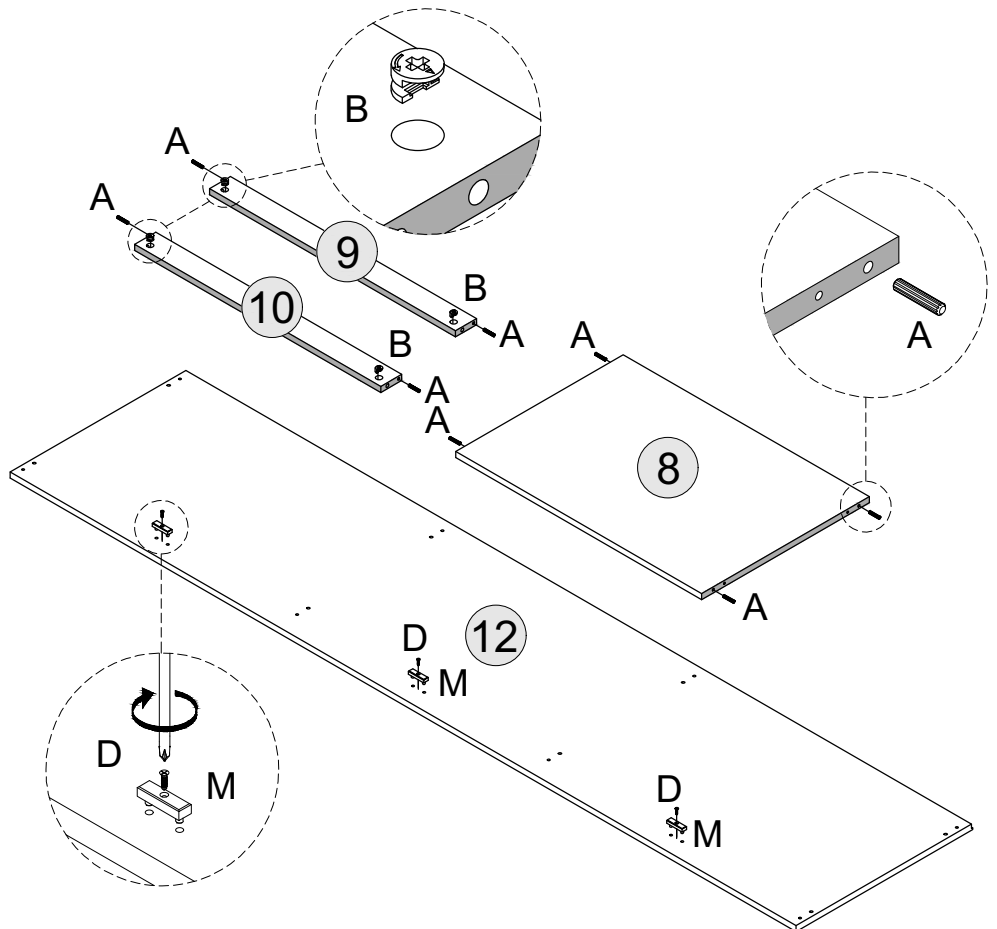
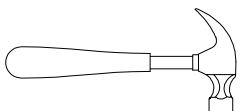
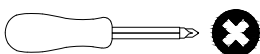
A  08

B  04

D  03

M  03

TOOLS REQUIRED

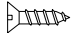



STEP 9

PARTS REQUIRED

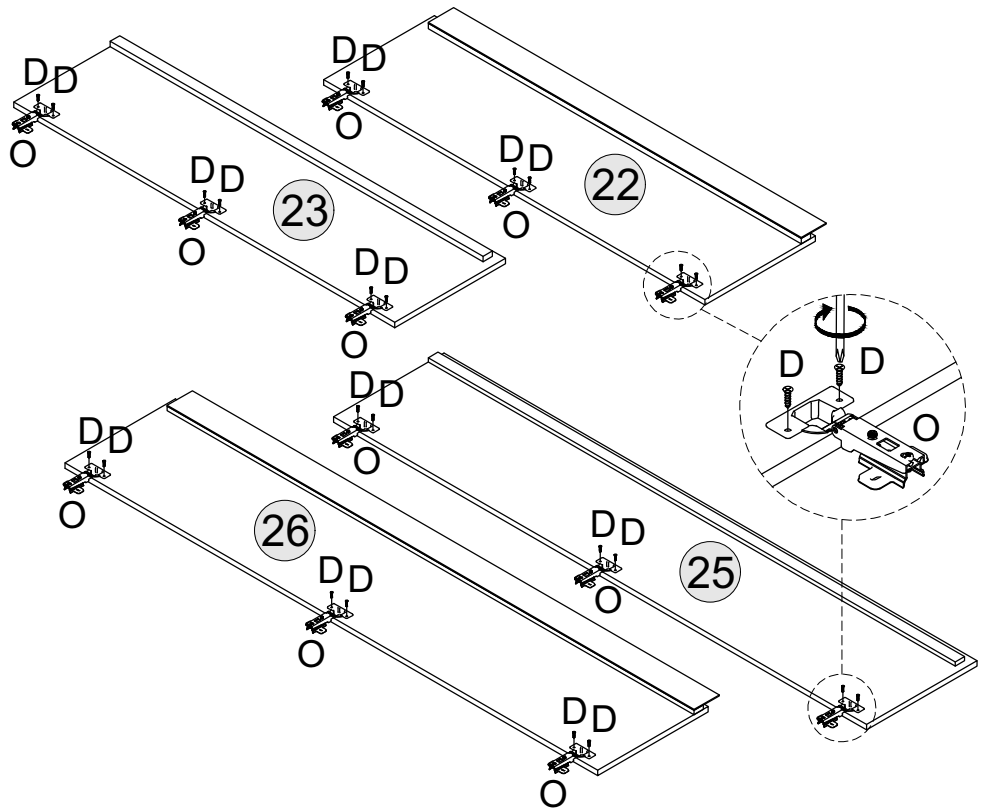
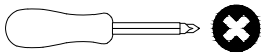
22 - DOOR 1	x1
23 - DOOR 2	x1
25 - DOOR 4	x1
26 - DOOR 5	x1

HARDWARE REQUIRED

D		24
---	---	----

O		12
---	---	----

TOOLS REQUIRED

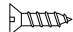


STEP 10

PARTS REQUIRED

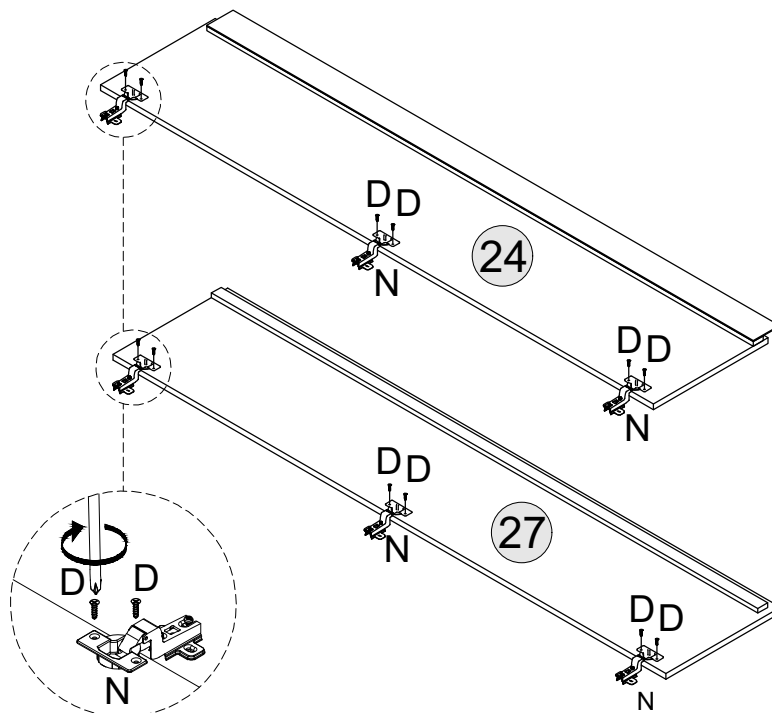
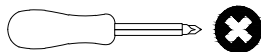
24 - DOOR 3	x1
27 - DOOR 6	x1

HARDWARE REQUIRED

D		12
---	---	----

N		06
---	---	----

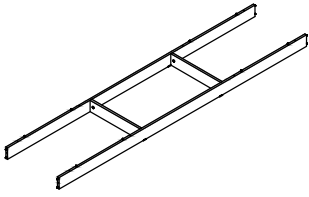
TOOLS REQUIRED




STEP 11

PARTS REQUIRED

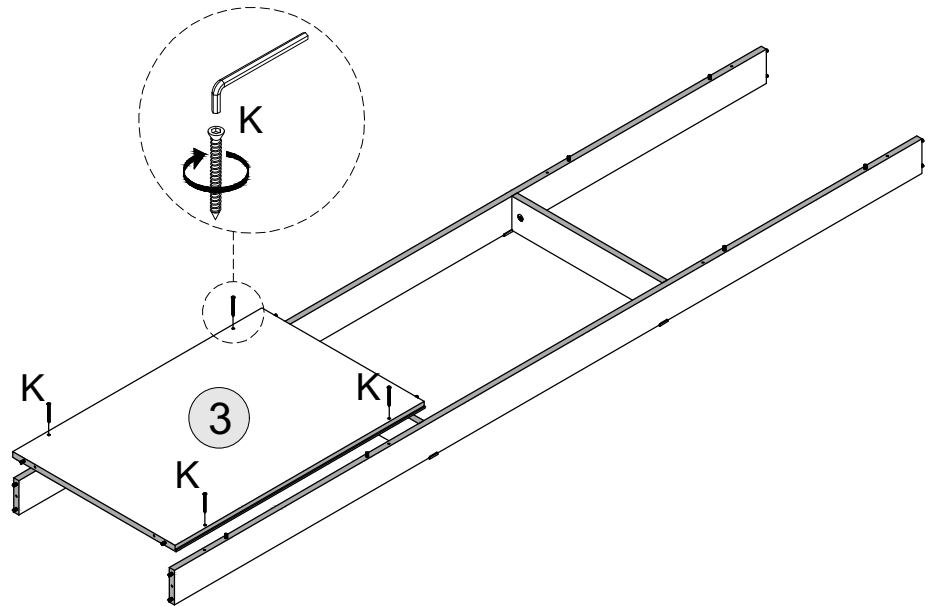
3 - BOTTOM PANEL x1



HARDWARE REQUIRED

K  04

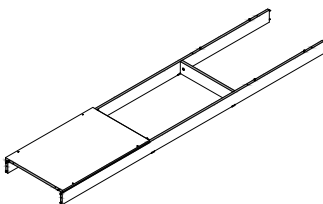
TOOLS REQUIRED



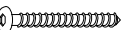
STEP 12

PARTS REQUIRED

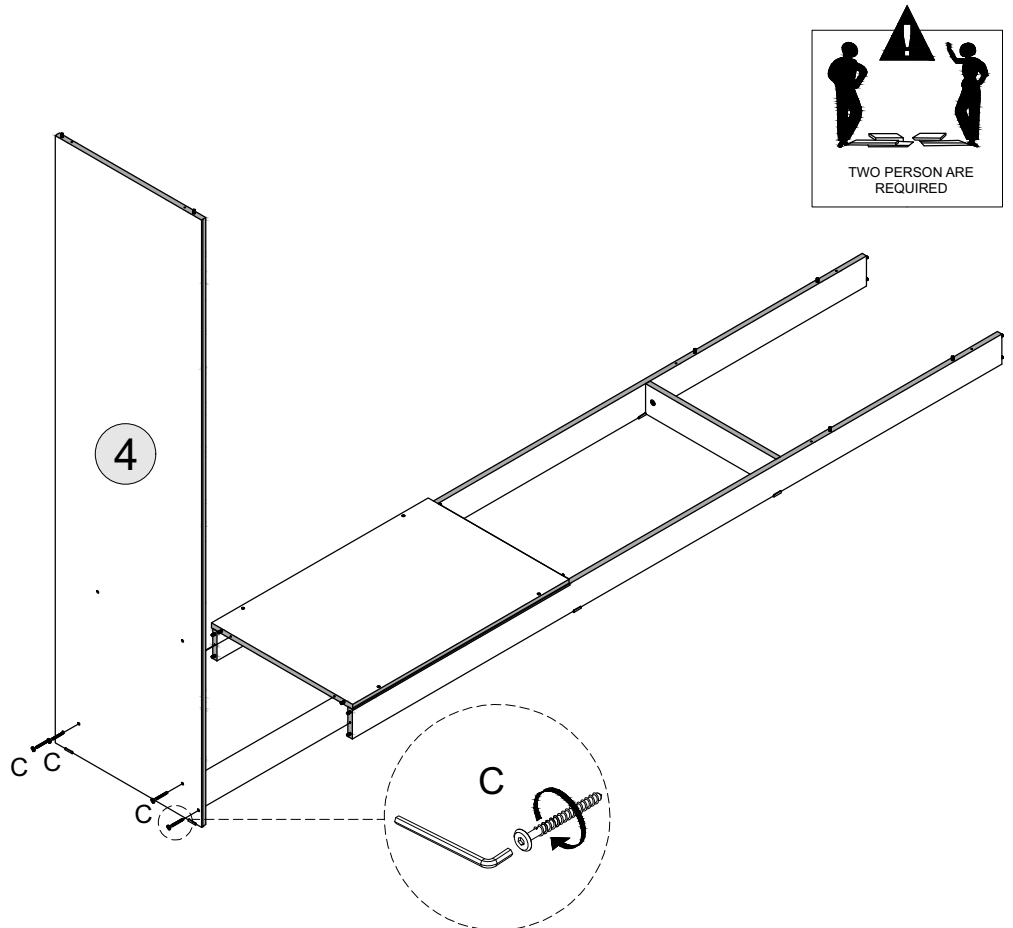
4 - SIDE PANEL - RIGHT x1



HARDWARE REQUIRED

C  04

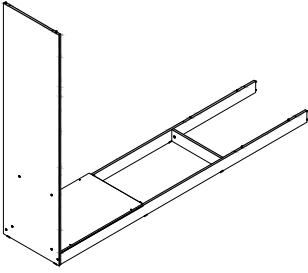
TOOLS REQUIRED




STEP 13

PARTS REQUIRED

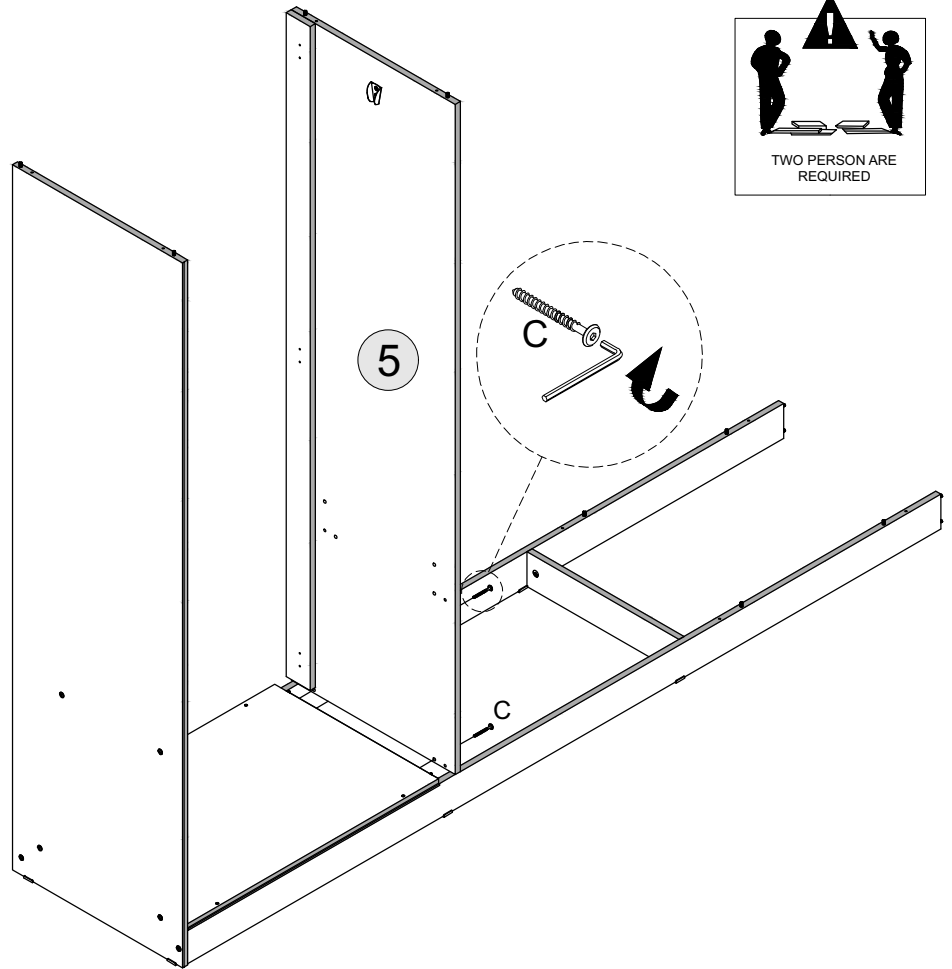
5 - CENTRE PANEL - RIGHT x1



HARDWARE REQUIRED

C  02

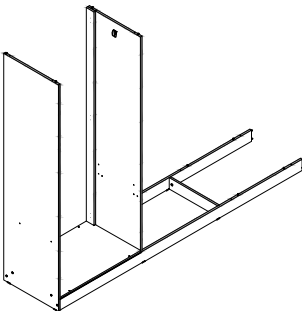
TOOLS REQUIRED



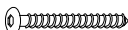
STEP 14

PARTS REQUIRED

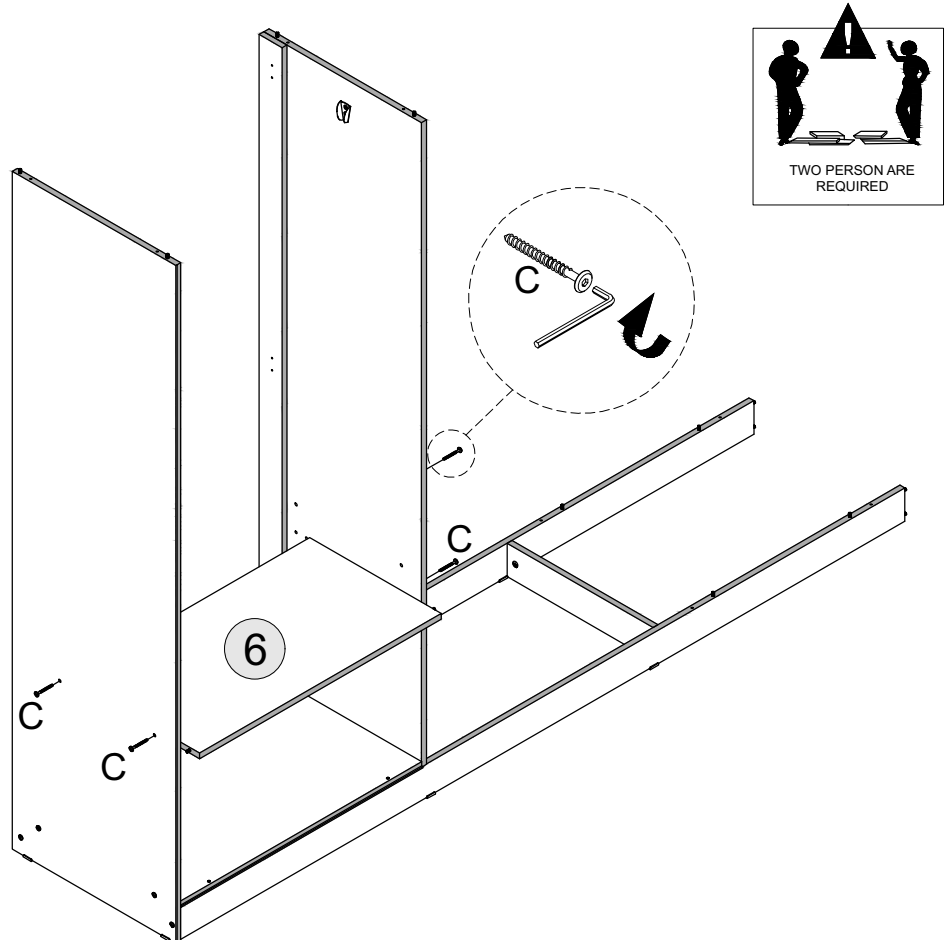
6 - SIDE SHELF PANEL x1



HARDWARE REQUIRED

C  04

TOOLS REQUIRED



STEP 15

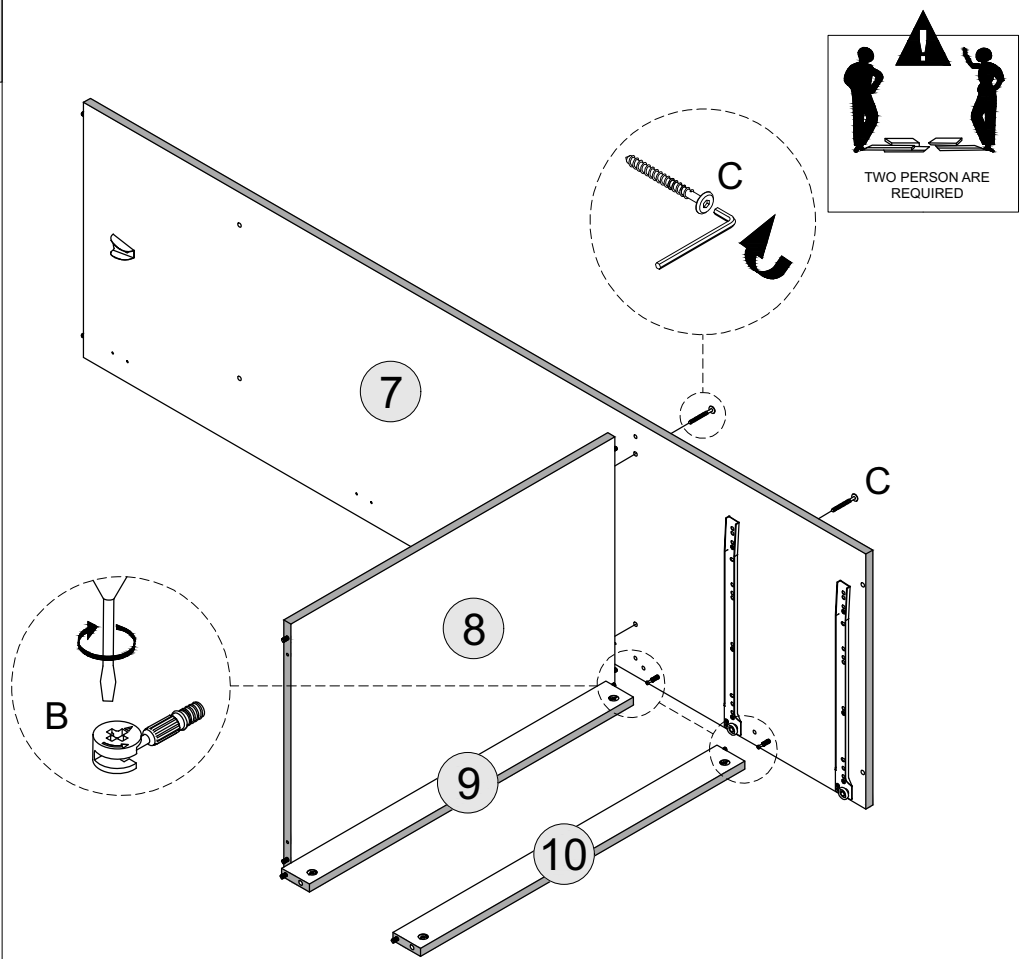
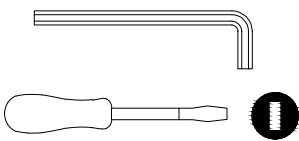
PARTS REQUIRED

- 7 - CENTRE PANEL - LEFT x1
- 8 - MIDDLE SHELF PANEL x1
- 9 - FRONT CROSSBAR x1
- 10 - BOTTOM FRONT CROSSBAR x1

HARDWARE REQUIRED

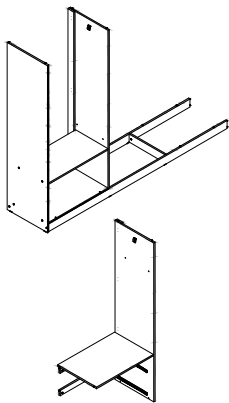
- C  02

TOOLS REQUIRED




STEP 16

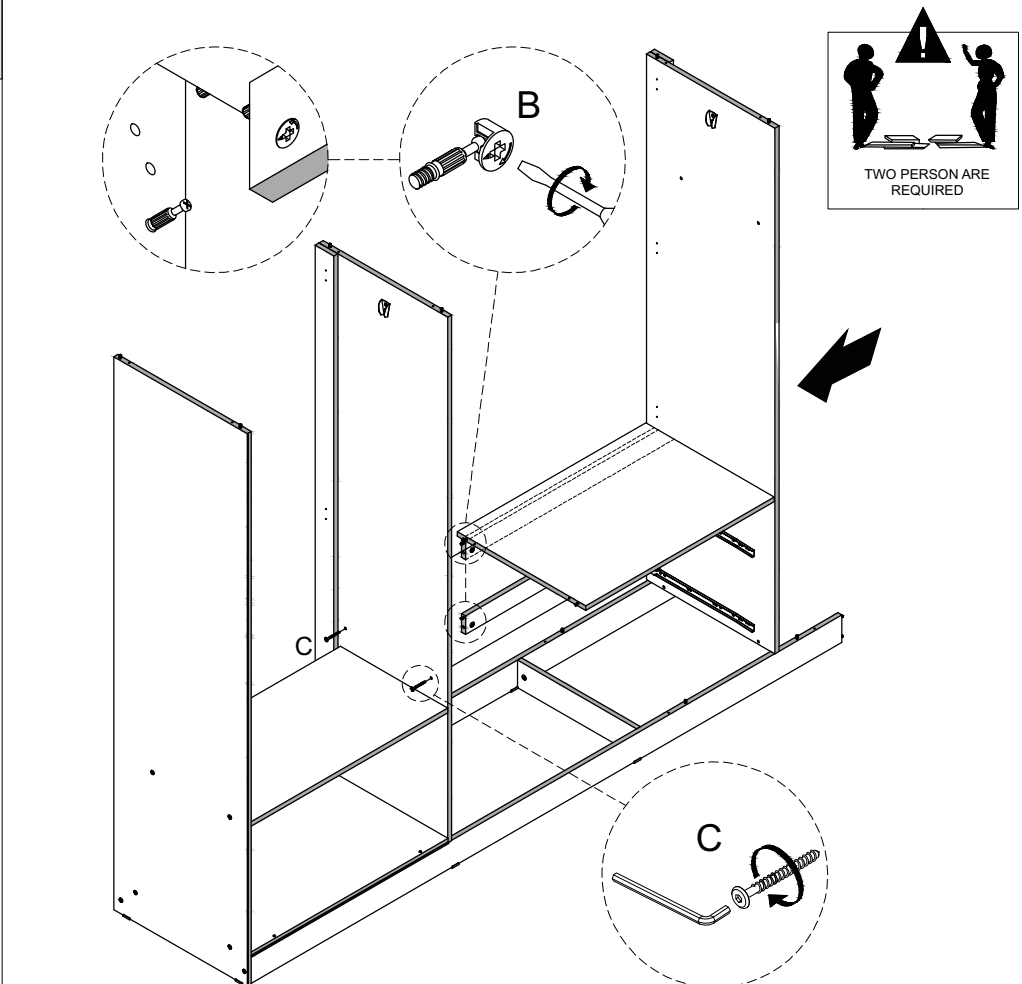
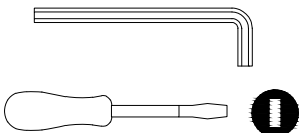
PARTS REQUIRED



HARDWARE REQUIRED

- C  02

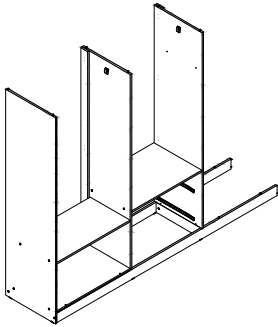
TOOLS REQUIRED



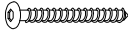
STEP 17

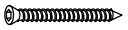
PARTS REQUIRED

3 - BOTTOM PANEL x1

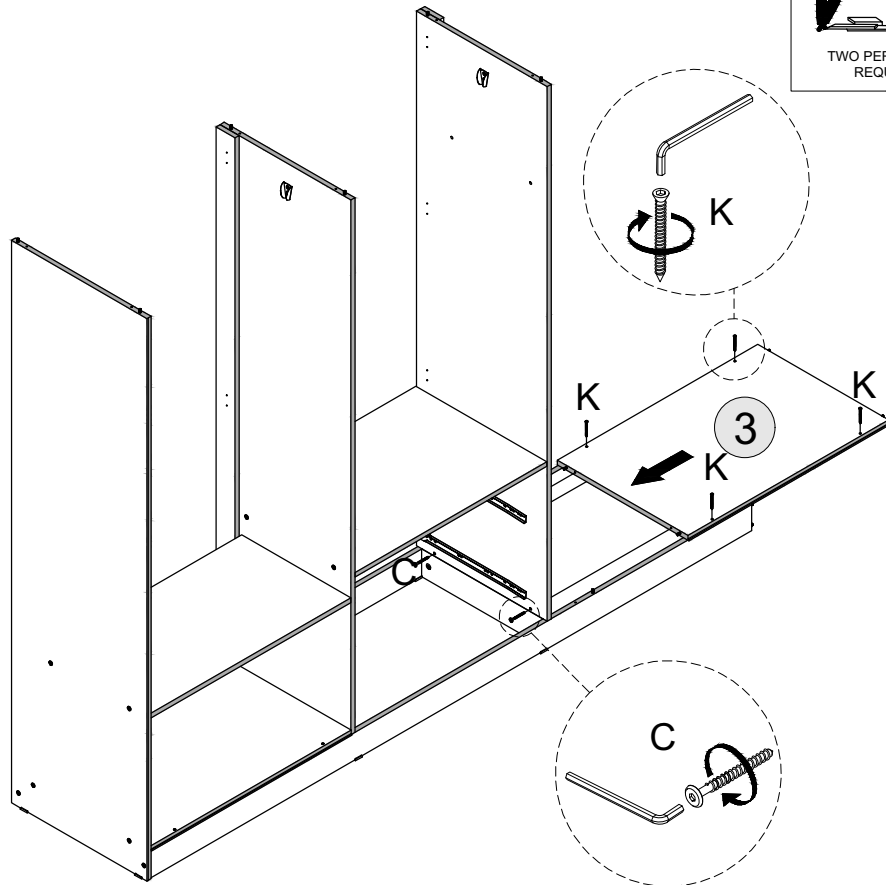
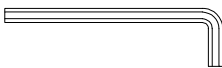


HARDWARE REQUIRED

C  02

K  04

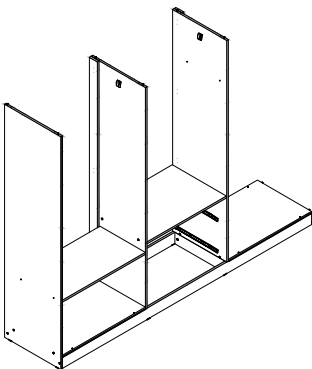
TOOLS REQUIRED



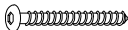
STEP 18

PARTS REQUIRED

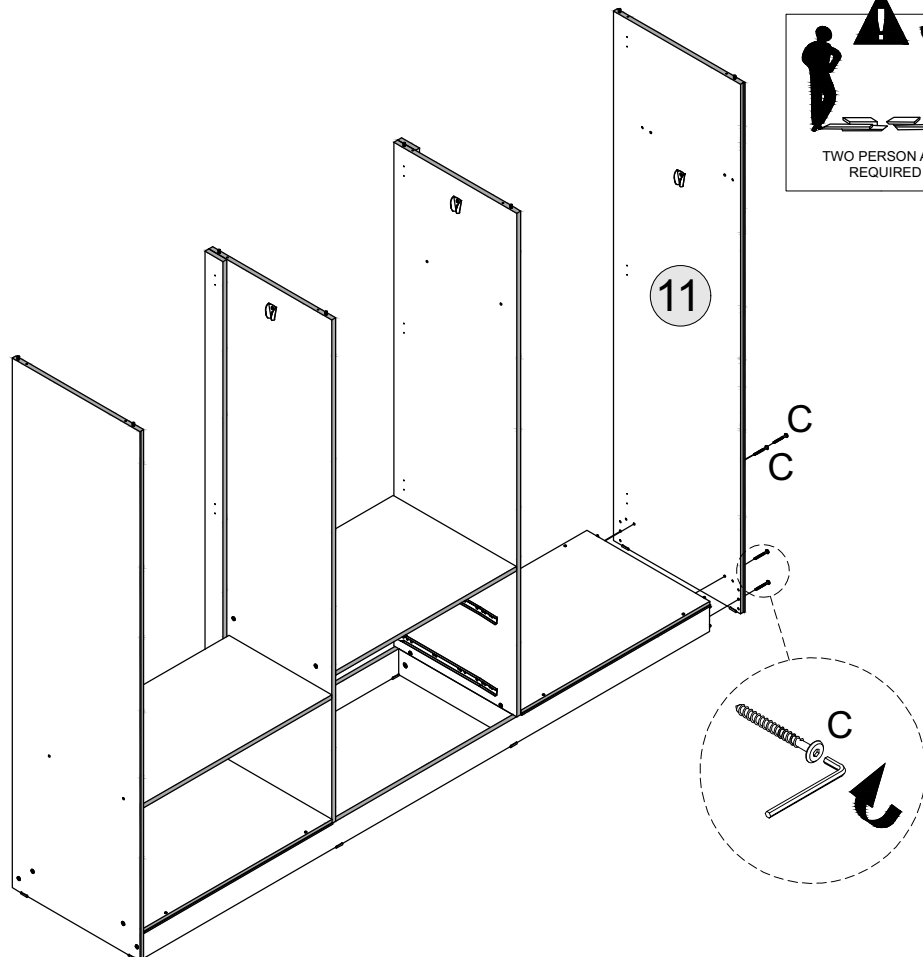
11 - SIDE PANEL - LEFT x1



HARDWARE REQUIRED

C  04

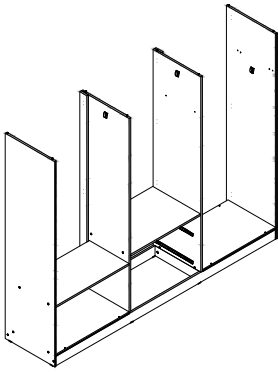
TOOLS REQUIRED




STEP 19

PARTS REQUIRED

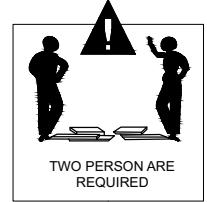
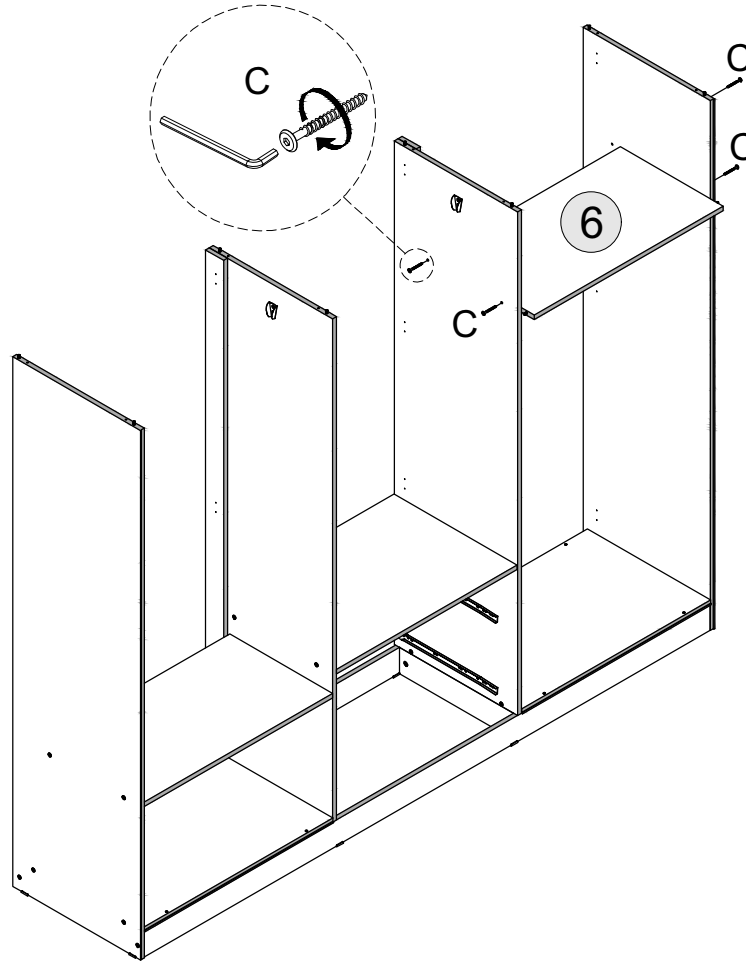
6 - SIDE SHELF PANEL x1



HARDWARE REQUIRED

C  04

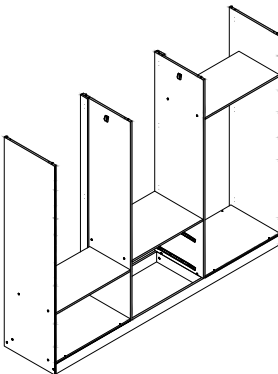
TOOLS REQUIRED



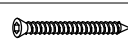
STEP 20

PARTS REQUIRED

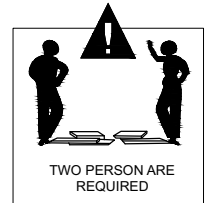
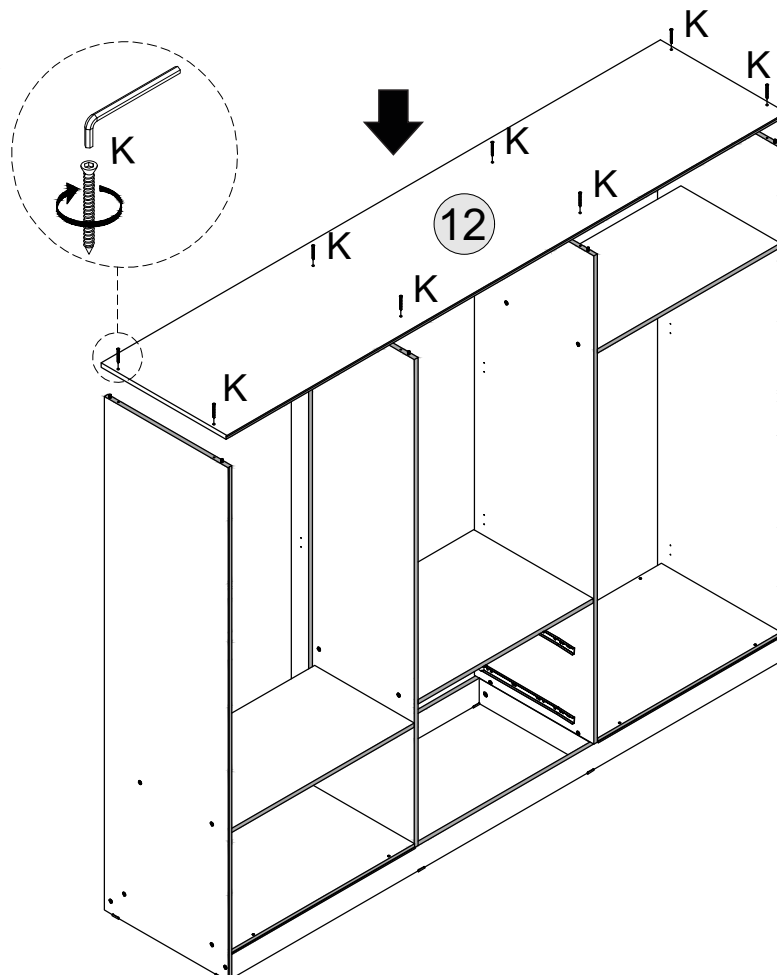
12 - TOP PANEL x1



HARDWARE REQUIRED

K  08

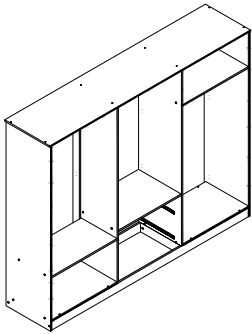
TOOLS REQUIRED



STEP 21

PARTS REQUIRED

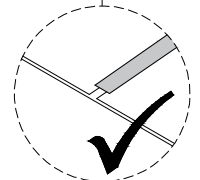
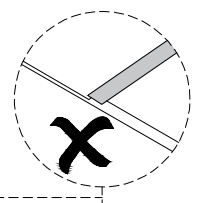
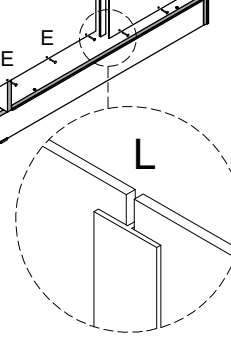
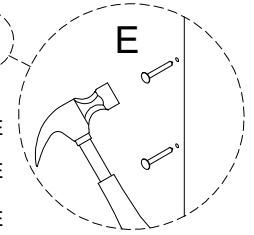
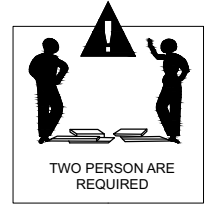
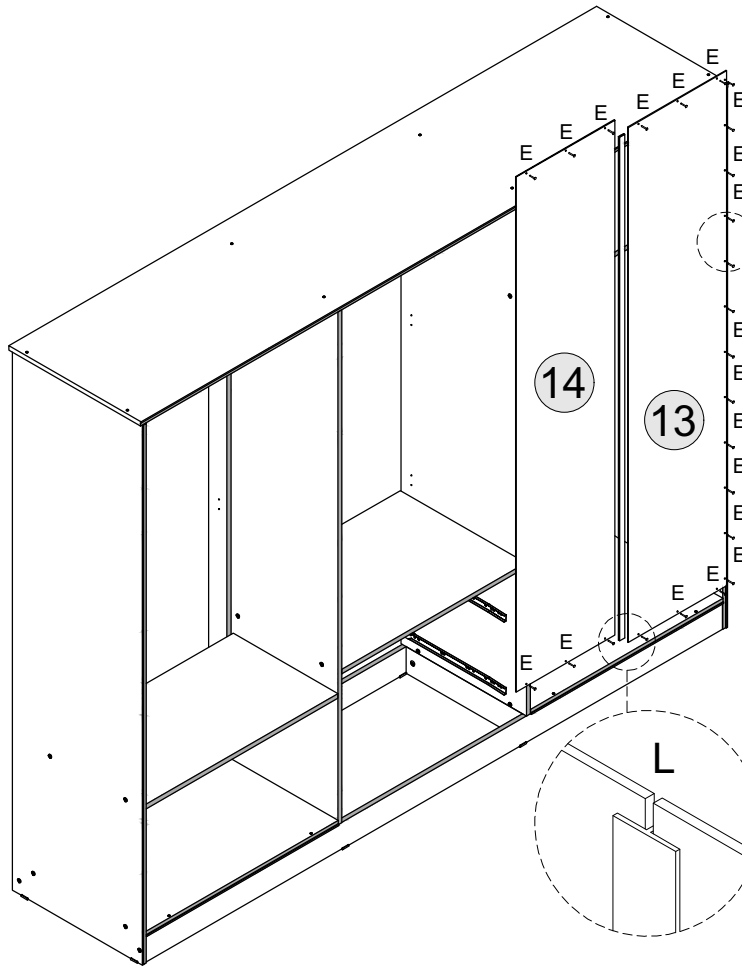
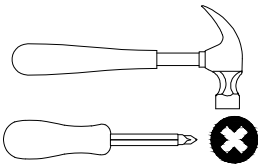
13 - BACK PANEL 1	x1
14 - BACK PANEL 2	x1



HARDWARE REQUIRED

E		24
L		01

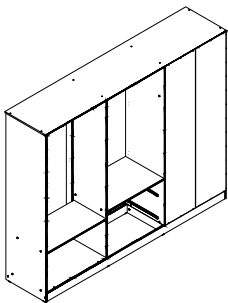
TOOLS REQUIRED



STEP 22

PARTS REQUIRED

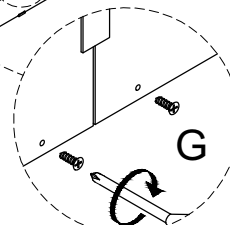
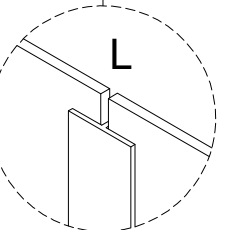
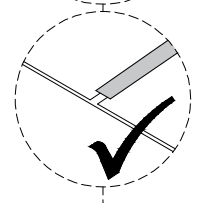
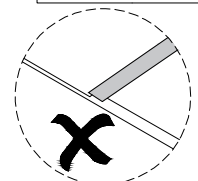
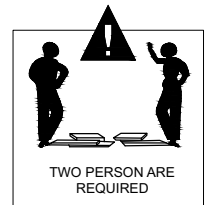
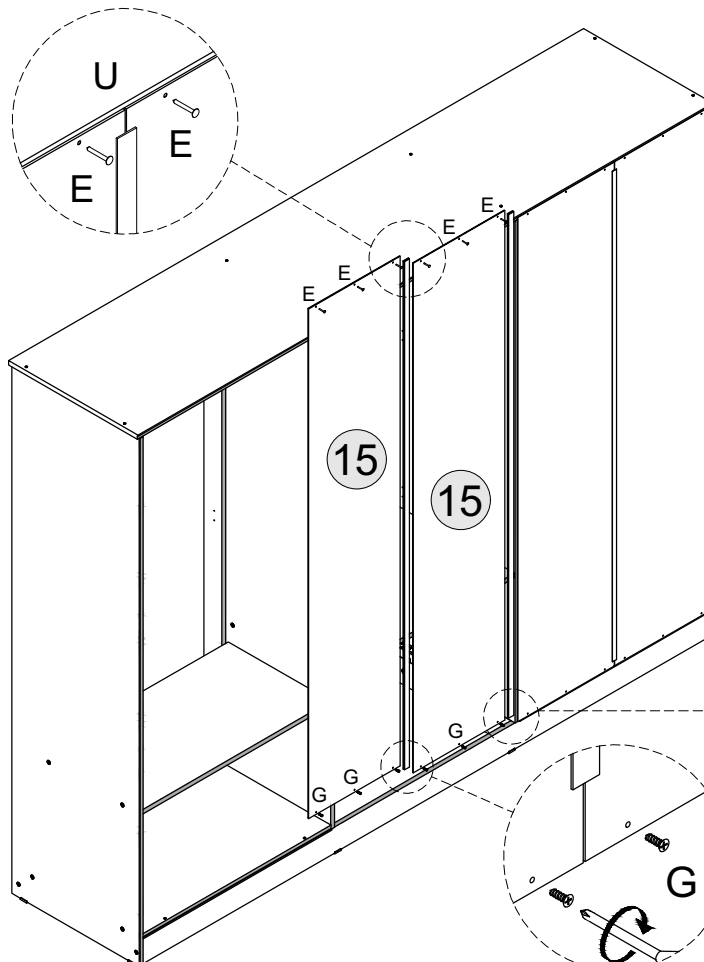
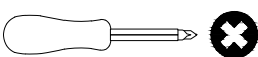
15 - BACK PANEL 3	x2
-------------------	----



HARDWARE REQUIRED

E		06
G		06
L		01
U		01

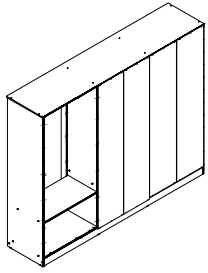
TOOLS REQUIRED



STEP 23

PARTS REQUIRED

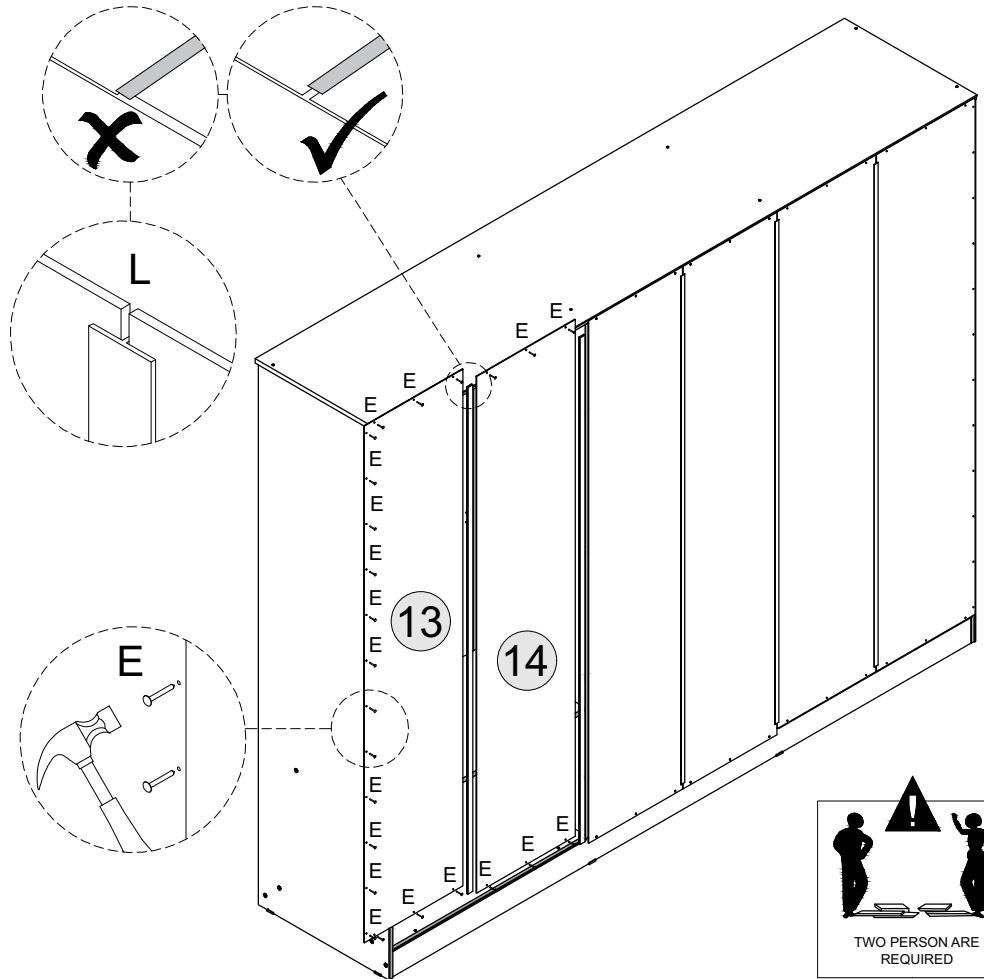
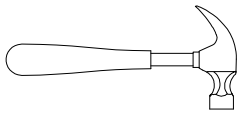
13 - BACK PANEL I	x1
14 - BACK PANEL II	x1



HARDWARE REQUIRED

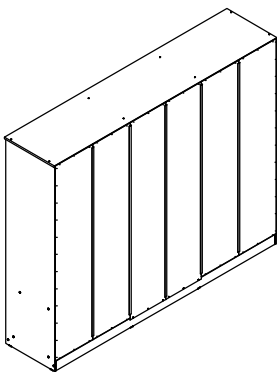
E		24
L		02

TOOLS REQUIRED



STEP 24

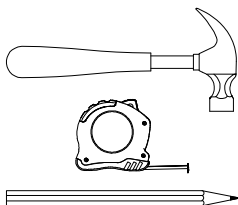
PARTS REQUIRED



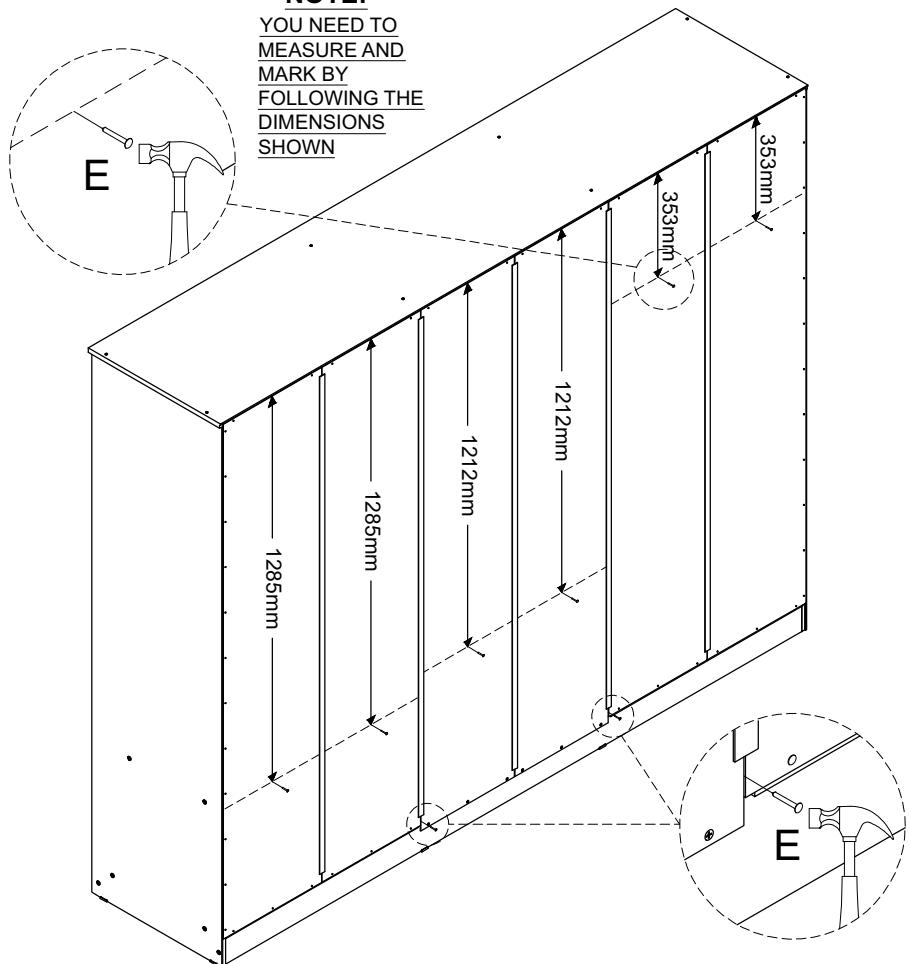
HARDWARE REQUIRED

E		08
---	--	----

TOOLS REQUIRED



NOTE:
 YOU NEED TO
 MEASURE AND
 MARK BY
 FOLLOWING THE
 DIMENSIONS
 SHOWN




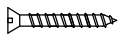


STEP 25

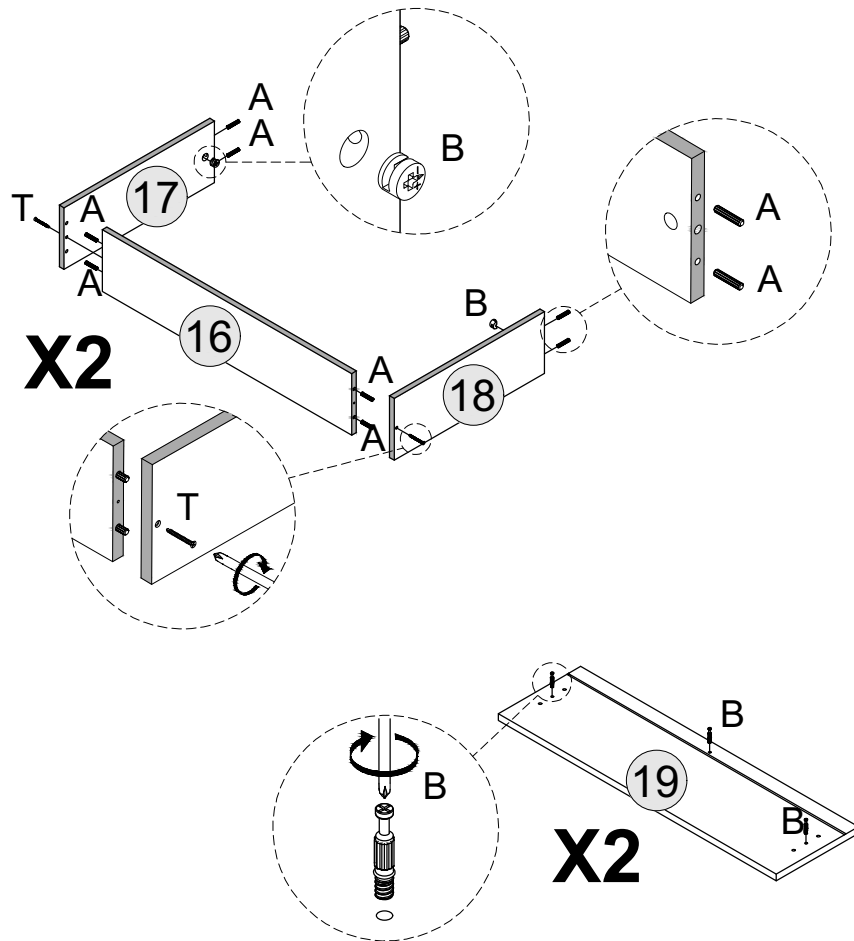
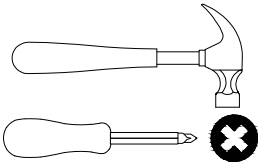
PARTS REQUIRED

16 - DRAWER BACK	x2
17 -DRAWER SIDE-LEFT	x2
18 -DRAWER SIDE-RIGHT	x2
19 - DRAWER FRONT	x2

HARDWARE REQUIRED

A		16
B		06
B		04
T		04

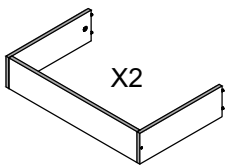
TOOLS REQUIRED




STEP 26

PARTS REQUIRED

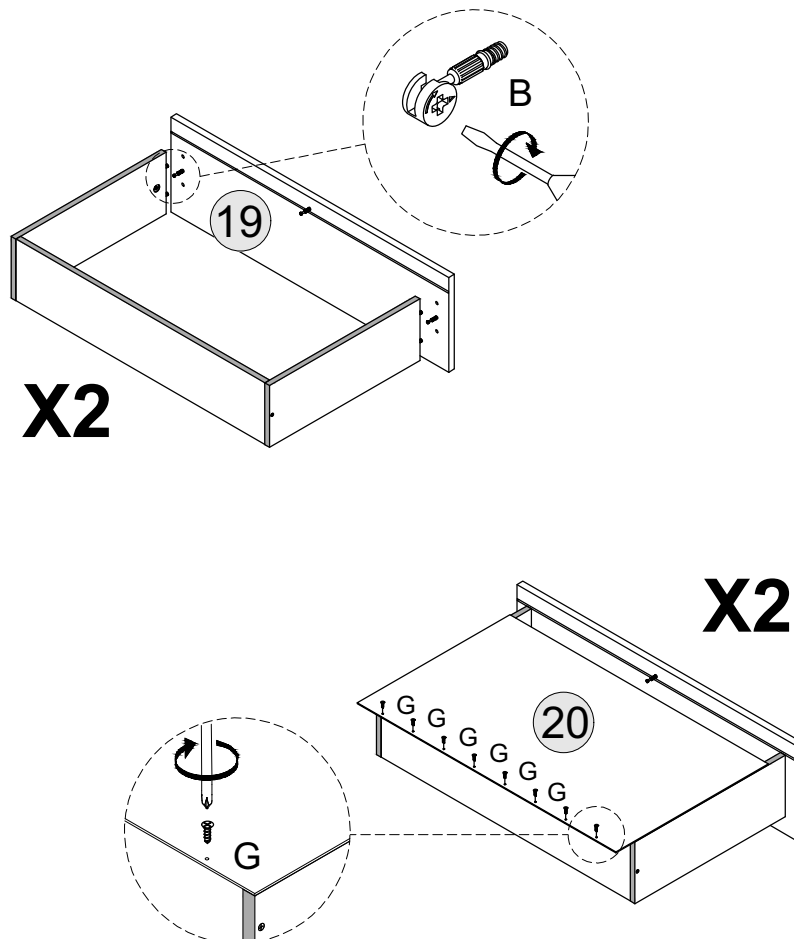
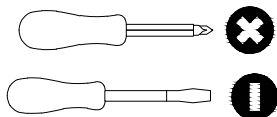
19 - DRAWER FRONT	x2
20 - DRAWER BASE	x2



HARDWARE REQUIRED

G		16
---	---	----

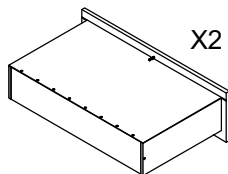
TOOLS REQUIRED



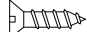
STEP 27

PARTS REQUIRED

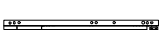
21 - DRAWER BASE SUPPORT RAIL x2

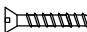


HARDWARE REQUIRED

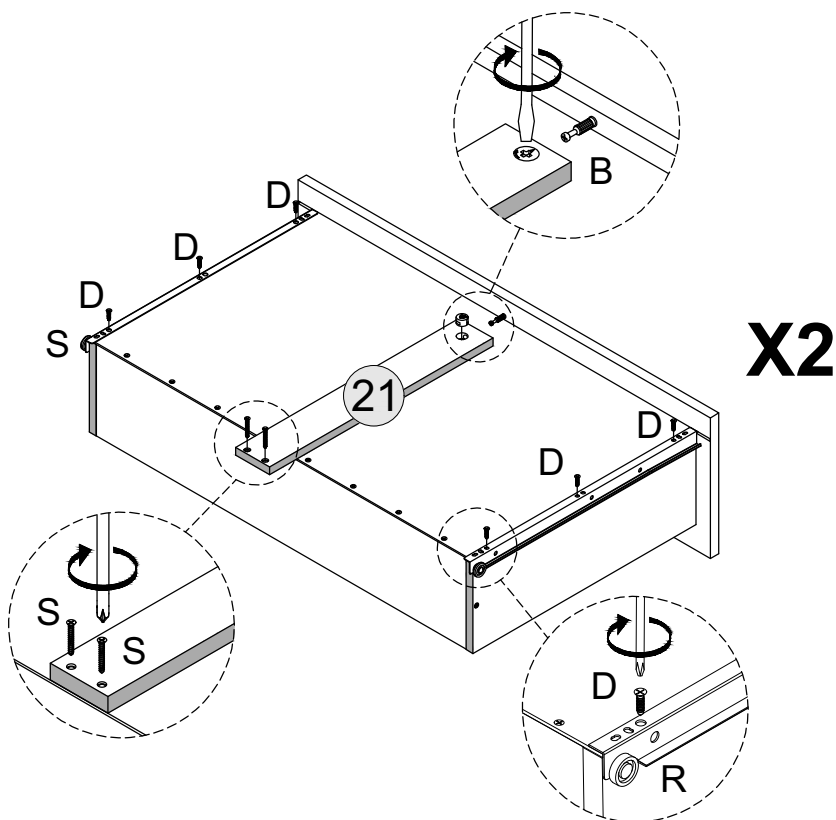
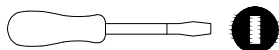
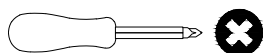
D  12

B  02

R  04

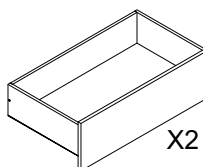
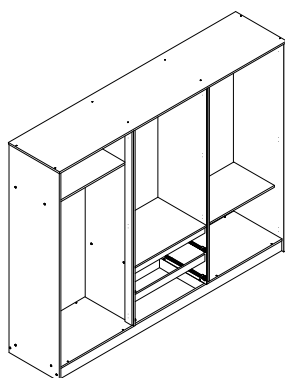
S  04

TOOLS REQUIRED



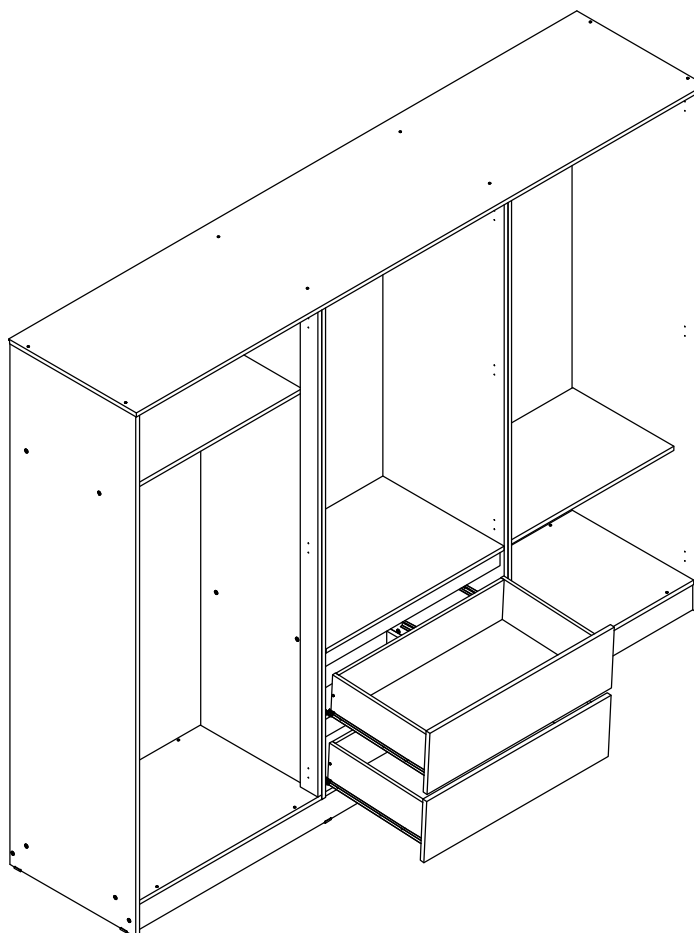
STEP 28

PARTS REQUIRED



HARDWARE REQUIRED

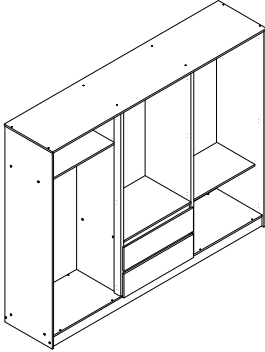
TOOLS REQUIRED



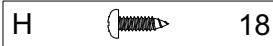
STEP 29

PARTS REQUIRED

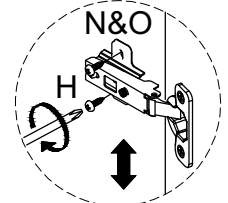
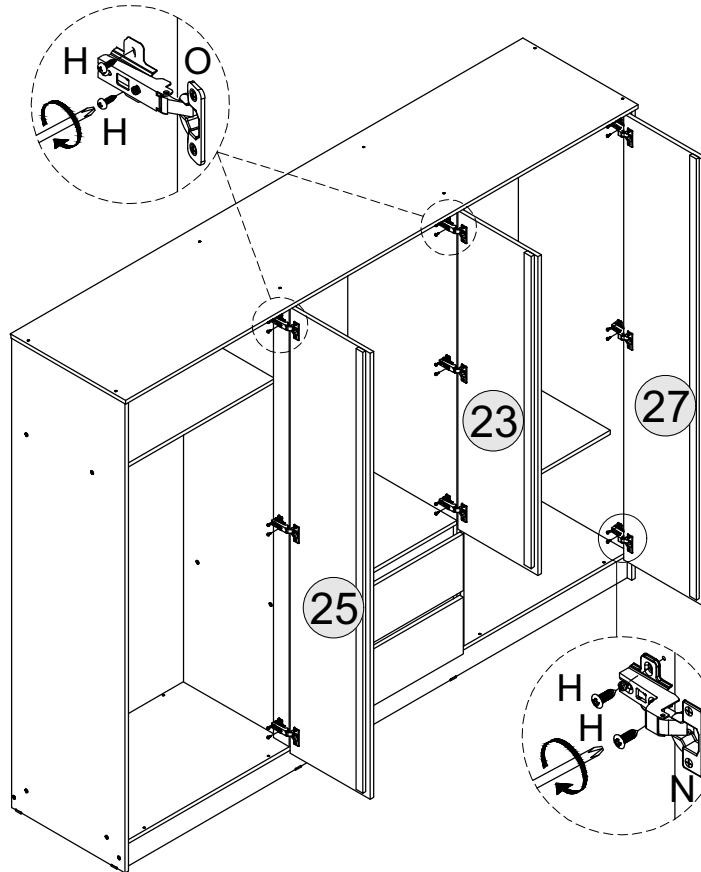
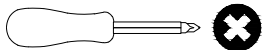
23 - DOOR 2	x1
25 - DOOR 4	x1
27 - DOOR 6	x1



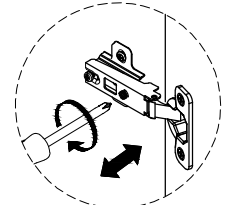
HARDWARE REQUIRED



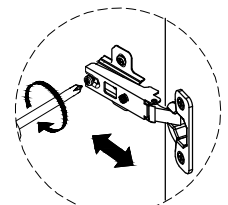
TOOLS REQUIRED



1. VERTICAL ADJUSTMENT VIA SLOT IN THE MOUNTING PLATE



2. LATERAL ADJUSTMENT BY SCREW ADJUSTING



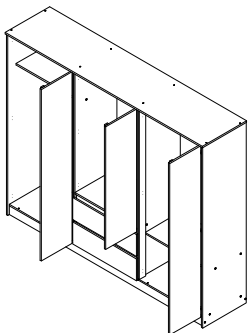
3. FRONT-TO-BACK BY THE SLACKING THE HINGE ARM MOUNTING SCREW

YOU SHOULD RE-ADJUST SCREWS AS SHOWN TO ALIGN DOOR ONCE HINGES HAVE BEEN ATTACHED.

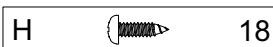
STEP 30

PARTS REQUIRED

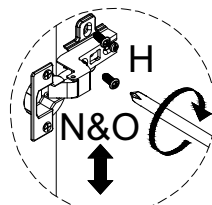
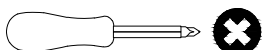
22 - DOOR 1	x1
24 - DOOR 3	x1
26 - DOOR 5	x1



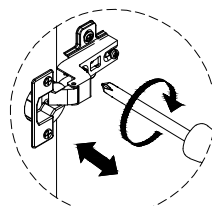
HARDWARE REQUIRED



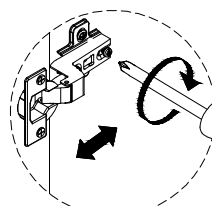
TOOLS REQUIRED



1. VERTICAL ADJUSTMENT VIA SLOT IN THE MOUNTING PLATE

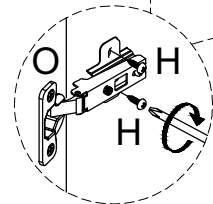
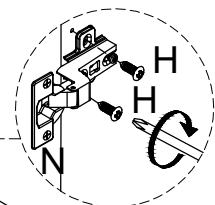
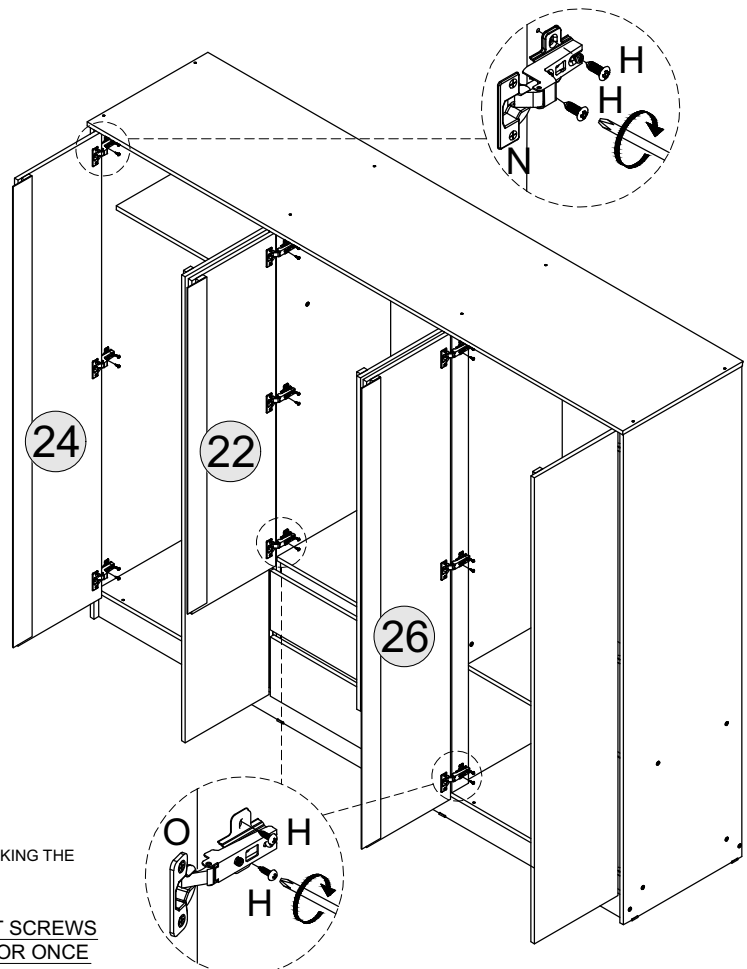


2. LATERAL ADJUSTMENT BY SCREW ADJUSTING



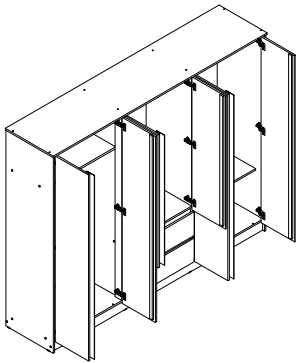
3. FRONT-TO-BACK BY THE SLACKING THE HINGE ARM MOUNTING SCREW

YOU SHOULD RE-ADJUST SCREWS AS SHOWN TO ALIGN DOOR ONCE HINGES HAVE BEEN ATTACHED.

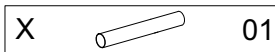


STEP 31

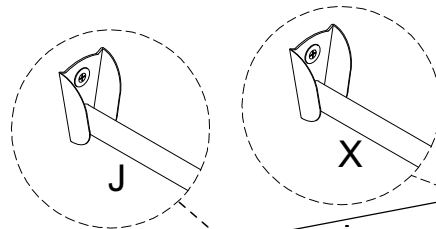
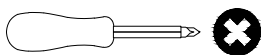
PARTS REQUIRED



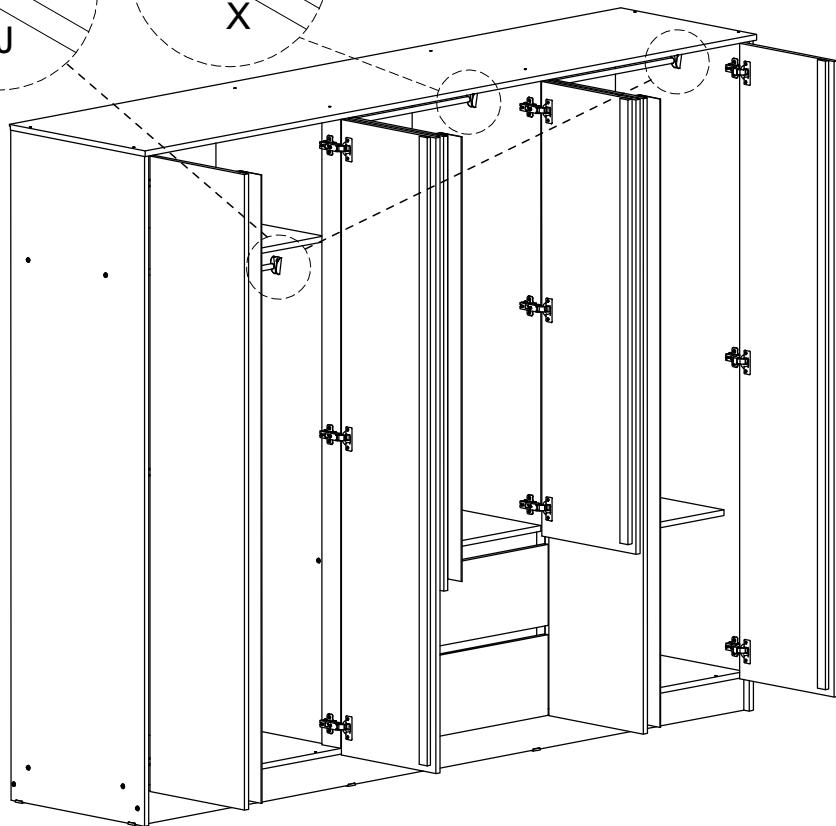
HARDWARE REQUIRED



TOOLS REQUIRED

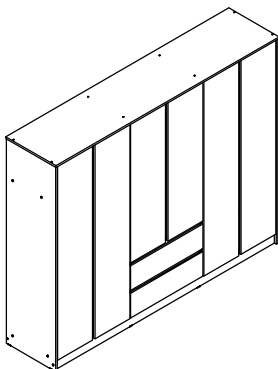


NOTE:
THERE ARE TWO TYPES OF HANGING RAIL.
THE SHORTEST (X) ONE NEEDS TO BE
ASSEMBLED IN THE CENTRE.



STEP 32

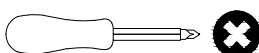
PART REQUIRED



HARDWARE REQUIRED



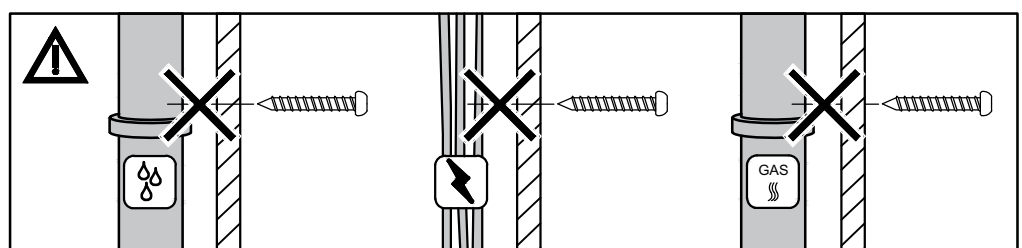
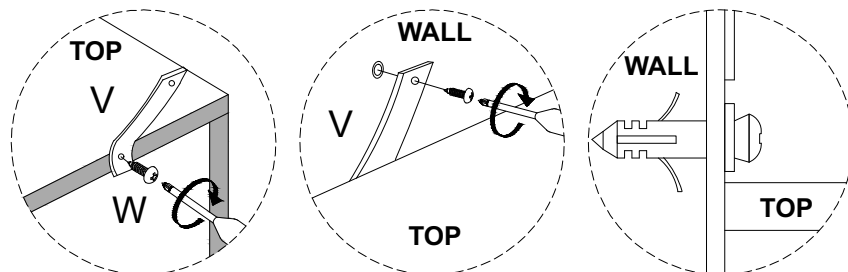
TOOLS REQUIRED



WARNING

Serious or fatal injuries can occur from furniture tipping over. To prevent the furniture from tipping over we recommend that it is permanently fixed to the wall.

Wall fixings are not supplied with this product as different wall materials require different types of fixing devices. Please make sure you use fixings suitable for the walls in your home.



INFORMATIONS IMPORTANTES (FRENCH)

IMPORTANTE POUR USAGE DOMESTIQUE UNIQUEMENT VEUILLEZ LIRE AVANT DE CONTINUER

Le produit que vous avez acheté vous offrira de nombreuses années de service si vous suivez les directives pour son assemblage sûr et son entretien et nettoyage périodiques.

Assemblez sur une surface douce et propre.

N'utilisez aucun autre outil que ceux illustrés.

Toutes les clés ou clés Allen nécessaires sont fournies avec le kit de fixation.

N'utilisez en aucun cas un outil électrique pour assembler ce produit. Son utilisation invalidera toute réclamation que vous pourriez avoir et pourrait rendre ce produit dangereux.

Selon la quantité d'utilisation de ce produit, il peut être nécessaire de resserrer les fixations de temps en temps. Cela est tout à fait normal pour tout meuble en kit. Ne serrez pas trop les fixations.

Pour le nettoyage, vous pouvez utiliser un chiffon humide (pas mouillé).

N'utilisez pas de produits de polissage, de détergent ou de nettoyeurs chimiques.

La surface de cet article n'est pas résistante à la chaleur. Utilisez toujours un set de table sous les articles chauds ou froids pour éviter les marques.

ADVERTENCIA (ANTI-BASCULEMENT)

Des blessures graves, voire mortelles, peuvent survenir en cas de basculement d'un meuble. Pour éviter que le meuble ne bascule, nous recommandons de le fixer de manière permanente au mur.

Les fixations murales ne sont pas fournies avec ce produit, car les différents matériaux de mur nécessitent différents types de dispositifs de fixation. Veuillez vous assurer d'utiliser des fixations adaptées aux murs de votre maison. Veuillez vous référer à la dernière page.

INFORMACIÓN IMPORTANTE (SPANISH)

IMPORTANTE SOLO PARA USO DOMÉSTICO LEER ANTES DE CONTINUAR

El producto que ha adquirido le brindará muchos años de servicio si sigue las pautas para su montaje seguro y su mantenimiento y limpieza periódicos.

Ensamble sobre una superficie suave y limpia.

No utilice herramientas distintas a las que se muestran.

Las llaves inglesas o llaves Allen necesarias se incluyen con el kit de accesorios.

No utilice bajo ningún concepto una herramienta eléctrica para ensamblar este producto. Su uso invalidará cualquier reclamo que pueda tener y podría hacer que este producto sea inseguro.

Dependiendo de la cantidad de uso que reciba este producto, puede ser necesario apretar las fijaciones de vez en cuando. Esto es completamente normal para cualquier mueble en paquete plano. No apriete demasiado las fijaciones.

Para la limpieza, puede utilizar un paño húmedo (no mojado). No utilice abrillantadores, detergentes ni limpiadores químicos.

La superficie de este artículo no es resistente al calor. Utilice siempre un mantel individual debajo de los elementos calientes o fríos para evitar marcarlos.

ADVERTENCIA (ANTI-VUELCO)

El vuelco de los muebles puede provocar lesiones graves o fatales. Para evitar que los muebles se vuelquen, recomendamos fijarlos permanentemente a la pared.

Este producto no incluye fijaciones de pared, ya que los distintos materiales de pared requieren distintos tipos de dispositivos de fijación. Asegúrese de utilizar fijaciones adecuadas para las paredes de su hogar. Veuillez vous référer à la dernière page.

WICHTIGE INFORMATIONEN (GERMAN)

WICHTIGUR FÜR DEN HAUSHALTSGEBRAUCH BITTE LESEN SIE, BEVOR SIE FORTFAHREN

Das von Ihnen gekaufte Produkt wird Ihnen viele Jahre lang gute Dienste leisten, wenn Sie die Richtlinien für eine sichere Montage und regelmäßige Wartung und Reinigung befolgen.

Montieren Sie es auf einer weichen, sauberen Oberfläche.

Verwenden Sie keine anderen Werkzeuge als die abgebildeten.

Erforderliche Schraubenschlüssel oder Inbusschlüssel sind im Montagesatz enthalten.

Verwenden Sie unter keinen Umständen ein Elektrowerkzeug zur Montage dieses Produkts. Bei Verwendung erlöschen alle Ansprüche, die Sie haben, und das Produkt kann unsicher werden.

Je nachdem, wie häufig dieses Produkt verwendet wird, kann es erforderlich sein, die Befestigungen von Zeit zu Zeit festzuziehen. Dies ist bei Möbeln aus dem Bausatz völlig normal. Ziehen Sie die Befestigungen nicht zu fest an.

Zum Reinigen können Sie ein feuchtes Tuch verwenden (nicht nass).

Verwenden Sie keine Politur, kein Reinigungsmittel oder chemische Reiniger.

Die Oberfläche dieses Artikels ist nicht hitzebeständig. Verwenden Sie immer eine Unterlage unter heißen oder kalten Gegenständen, um Flecken zu vermeiden.

WARNUNG (KIPPSCHUTZ)

Durch das Umkippen von Möbeln können schwere oder tödliche Verletzungen entstehen. Um ein Umkippen der Möbel zu verhindern, empfehlen wir, diese dauerhaft an der Wand zu befestigen.

Wandbefestigungen werden nicht mit diesem Produkt mitgeliefert, da unterschiedliche Wandmaterialien unterschiedliche Arten von Befestigungsvorrichtungen erfordern. Bitte stellen Sie sicher, dass Sie Befestigungsvorrichtungen verwenden, die für die Wände in Ihrem Zuhause geeignet sind. Bitte beachten Sie die letzte Seite.

INFORMAZIONI IMPORTANTI (ITALIAN)

IMPORTANTE, SOLO PER USO DOMESTICO SI PREGA DI LEGGERE PRIMA DI CONTINUARE OLTRE

Il prodotto che hai acquistato ti garantirà molti anni di servizio se seguire le linee guida per il suo montaggio sicuro e periodico manutenzione e pulizia.

Montare su una superficie morbida e pulita.

Non utilizzare strumenti diversi da quelli mostrati.

Eventuali chiavi e chiavi a brugola necessarie sono incluse nel kit di raccordi.

Non utilizzare per nessun motivo un utensile elettrico per assemblare questo prodotto. Suo l'uso invaliderà qualsiasi reclamo tu possa avere e potresti avanzare su questo prodotto pericoloso.

A seconda della quantità di utilizzo che questo prodotto riceve, potrebbe essere necessario stringere di tanto in tanto i fissaggi.

Questo è completamente normalmente per qualsiasi mobile flat pack. Non stringere eccessivamente il fissaggio.

Per la pulizia è possibile utilizzare un panno umido (non bagnato).

Non usare smalti, detersivi o detergenti chimici.

La superficie di questo articolo non è resistente al calore. Usa sempre una tovaglietta sotto oggetti caldi o freddi per evitare segni.

AVVERTIMENTO (ANTIRIBALTAMENTO)

Il ribaltamento dei mobili può provocare lesioni gravi e mortali. A evitare che i mobili si ribaltino, si consiglia di farlo fissato permanentemente al muro.

I fissaggi a parete non sono forniti con questo prodotto in quanto parete diversa i materiali richiedono diversi tipi di dispositivi di fissaggio. Per favore, fallo assicurati di utilizzare fissaggi adatti alle pareti della tua casa. Si prega di fare riferimento all'ultima pagina.