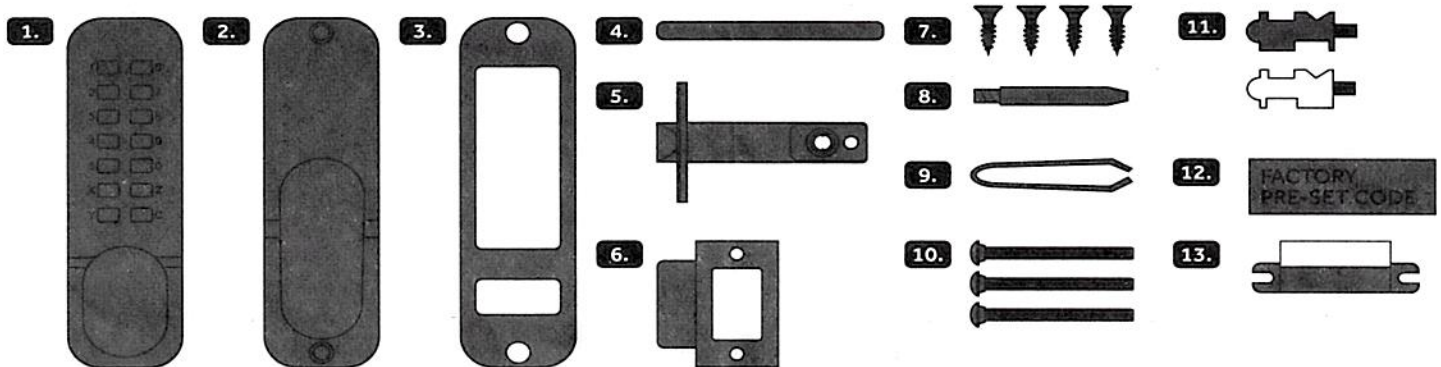


Push Button Digital Lock

Please make sure you have received all the following parts:

- | | | |
|--------------------------------|---|--|
| 1. Lockcase | 6. Strike plate | 10. Fixings bolts (x3) |
| 2. Backplate | 7. Woodscrews (x4)
use with latch & strike plate | 11. Spare code pin tumblers
(x2 black, x4 silver) |
| 3. Neoprene seals (x2) | 8. Latch support post | 12. Code card |
| 4. Spindles (only one is used) | 9. Tweezers | 13. Steel dust box |
| 5. Latch (60mm backset) | | |



- Before installing the product, ensure all parts are working correctly. Insert the pin code supplied with the unit and operate lever/knob. The unit should operate under spring tension and return. **Please note: should you wish to change PIN code, this needs to be done before the lock is installed (please see how to change your code number instructions).**
- Please ensure the lever/knob operates correctly and without obstruction, also ensure that the hold open snib is working correctly.
- Check that the latch bolt & follower operate correctly and without any obstruction.

Installation:

1. Apply the template

- Fit the supplied fitting template to the door, please ensure that it is correctly positioned folded for the latch backset (60mm or 70mm).
- Mark and drill 6 x 10mm diameter holes as indicated on the template.
- Using a chisel, join up the middle 4 holes drilled for the lock to make a single slot.

Positioning and fixing of the latch

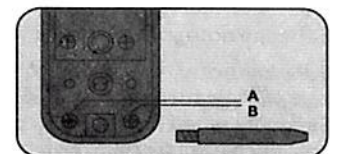
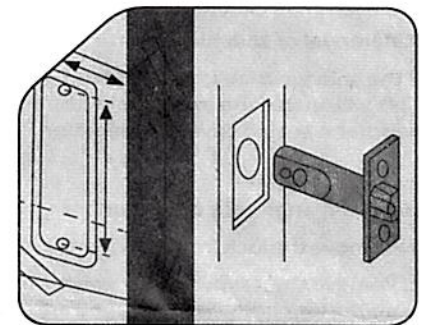
- On the leading edge of the door, mark a central point where the latchbolt will be fitted.
- Drill a 25mm diameter x 85mm depth hole.
- Insert the latch into the door, and mark around the latch forend.
- Remove latch from door & cut a 3mm deep recess for latch forend to sit flush with door.
- Re-fit latch and secure with woodscrews provided.

2. Latch support post

Fit latch support post into either slot A for right hung doors or slot B for left hung doors. Left/right viewed in relation to the code pad side of the door.

3. Handing screw

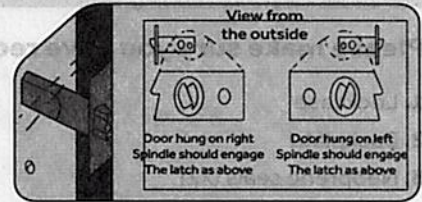
Locate the silver headed fixing screw in the backplate. If using slot A for the latch support post put the silver screw in the left hand hole, if using slot B for the latch support post put the silver screw in the right hand hole.



Push Button Digital Lock

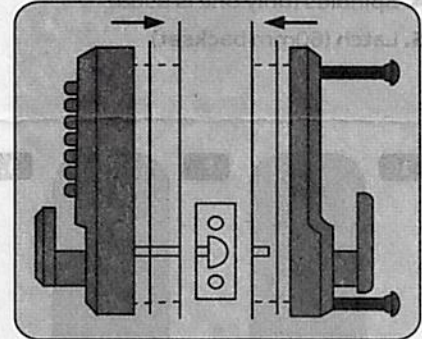
4. Positioning of the spindle

- Select the desired length of the spindle supplied, dependant on the thickness of the door. The spindle facia is marked with various door thicknesses to help cut down to the correct length.
- Once spindle has been cut down to desired length, insert into lock through door and ensure that it engages the latch follower correctly for hand of the door required (See diagram).



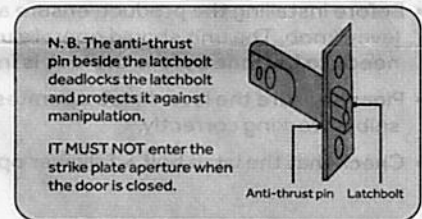
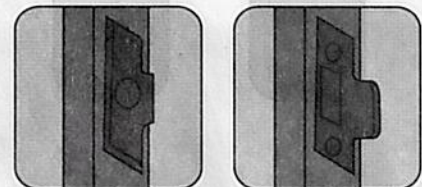
5. Fixings of the lock

- Measure fixing bolts against thickness of door, break off to desired length and insert through door.
- Hold the lockcase, backplate and surround seals in place on opposite side of door with the connecting spindle in position.
- Connect fixing bolts to lockcase / backplate and tighten, ensuring that the lock body is straight. Do not allow door to close once tightened unless you are sure the correct code is inserted and works.
Please Note: Do not over tighten fixing bolts as this may cause distortion of the lock body and result in poor operation of the unit.



6. Fitting of the strike plate

- Position latch strike plate on door frame so that it lines up with the leading (flat) edge of the latchbolt. **Please Note: The anti thrust pin in the latchbolt deadlocks the latch to guard against external manipulation, when fitting the latch strike plate please ensure that the anti thrust pin does not enter the strike aperture when the door is closed as this will not engage the deadlocking feature.**
- Mark around edge of strike plate and cut 1mm recess into frame for strike plate to fit flush with frame.
- Drill and cut a recess for the latchbolt.
- Align the strike plate in the recess and insert one of the woodscrews initially, ensuring that the strike is straight and tighten. Then insert the second woodscrew and tighten, also checking that the latchbolt anti thrust pin does not fully enter the aperture.



7. Removal of snib function

If the snib function is not required, you can remove it by unscrewing the 4 screws one from each corner, from inside the backplate. This will enable the metal plate, the snib, a small spring & a ball bearing to be removed. Replace the metal plate and the enclosed neoprene seal to cover the aperture.

How to change your code number

1. Remove the lock from the door.
2. Remove the 4 retaining screws from the back of the inner plate. Take EXTRA care to keep the lock body flat, when you are removing the plate, because there are a lot of small components inside.
3. You will now see that there are 5 black coloured key tumblers & 8 silver coloured keyless tumblers plus 1 clear tumbler ('C' Button).
4. To change your code, push the 'C' button down and hold it, You can then remove one or more of your key & keyless tumblers, using the tweezers supplied.
5. Please note you should NEVER remove the 'C' tumbler.
6. Please note the differences between the tumblers before reinserting them into the lock body. Firstly there is a difference in shape and colour between the key and keyless tumblers. Secondly, when refitting the tumblers into the lock body they must be fitted facing the right way, each tumbler has a notch that lines up with the indentations on the slots (see illustration).
7. After you have refitted the tumblers and made a note of the new code, please replace the metal plate with the 4 screws.
8. PLEASE NOTE. With the spare tumblers provided, you can either increase the number of digits in your code to 6 or 7 or reduce to 4.

