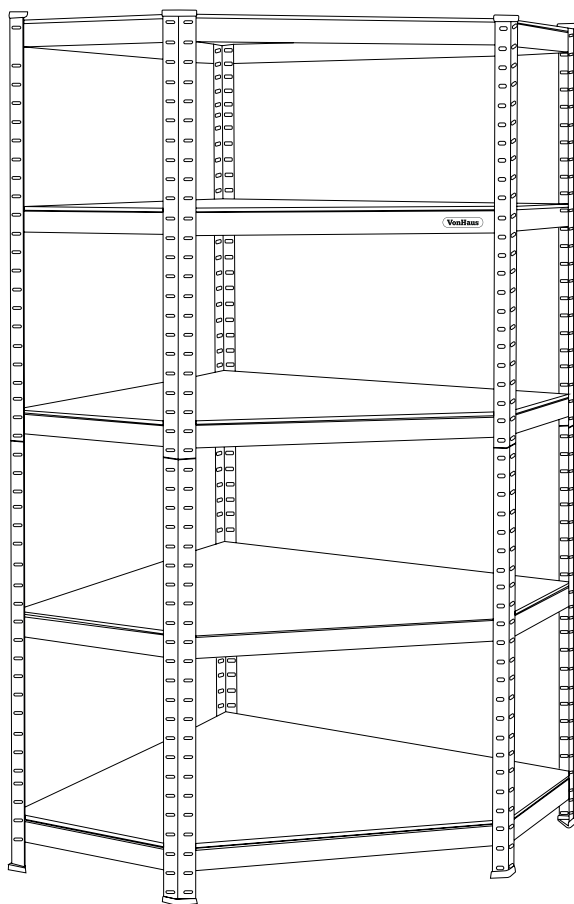


CORNER RACKING

3515372 - Instruction Manual



CONTENTS

Safety Instructions, Tools Required	1
Components	2
Assembly	3
Assembly	4
Assembly	5
Using Bay Connectors	6
Warranty	7

⚠️ WARNING ⚠️

PLEASE READ THESE INSTRUCTIONS CAREFULLY AND KEEP FOR FUTURE REFERENCE

INTENDED USE.

The Corner Racking is designed and intended for domestic use only. Do not use outdoors or for commercial purposes.

This product is not intended for use in damp or humid environments. Do not immerse or expose the unit to water or any other liquid.

This product is not a toy. Children should be supervised to ensure that they do not play with the Corner Racking.

ASSEMBLY.

CAUTION: This product contains small parts for assembly which pose a hazard to children and animals. Keep away from children and pets at all times.

Check the contents of the packaging against this manual to ensure there are no missing or defective parts. Never use defective parts.

To protect parts from damage during assembly, it is recommended that you clear sufficient space to assemble the unit. Place all parts on a suitable sheet or rug to prevent scratching or damage to the parts and flooring during assembly.

Assemble the Corner Racking as close to the area where you intend to position the final product as possible.

It is recommended that two people are present for assembly.

Assemble only as instructed within this manual. Any deviation or shortcut may lead to incorrect assembly or be considered customer misuse. Improper assembly may cause damage or serious injury.

Do not use power tools for assembly. These can cause damage to the product and impair future use and stability.

Do not overtighten any parts during assembly as this will damage the unit.

POSITIONING THE UNIT.

WARNING! The Corner Racking should only be positioned on a flat, stable surface with the back against the wall. Serious or fatal crushing injuries can occur from tip-over. It is therefore recommended that the unit be permanently affixed to a suitable wall surface. Due to the difference in wall materials, the required hardware for fixing the Corner Racking to the wall are not included. Contact your local hardware store or qualified person for advice and guidance.

The Corner Racking contains wooden parts which should not be exposed to fire or sources of heat or ignition which may result in fire or damage to the unit. Keep the unit away from open flames or sources of ignition.

LOADING.

The Corner Racking is not designed to support excess weight or abnormal loads.

Always check the unit for damage before loading. Never use a damaged shelf.

Take care to observe and adhere to the following weight capacities:

Weight Limit for Bottom Shelf: 175kg decreasing weight towards the top.

Always distribute weight evenly to help prevent damage and tip-over.

Heavy items should be placed evenly across the bottom shelf.

DO NOT overload the unit.

DO NOT climb on the unit as this may result in damage to the product or accident or injury to the user.

DO NOT lean any objects (including ladders) against the unit.

DO NOT attempt to move the unit whilst objects are placed on top.

CLEANING & MAINTENANCE.

Keep the unit clean to prevent damage or deterioration.

IMPORTANT: To prolong the lifespan of the Corner Racking, it is recommended that you treat any MDF surfaces every 12 months with a suitable weather-resistant stain or coating to protect it from any potential adverse weather or storage conditions which can cause moisture or mould to accumulate and therefore damage the unit.

CAUTION: To ensure continued safety, check that the unit is secure and safe to use at regular intervals (every 3 months). Take appropriate action to rectify any unstable or unsafe units.

Always seek professional repairs to damaged parts. Incorrect repairs place the user at serious risk of harm.

TOOLS REQUIRED

*NOT SUPPLIED



Rubber mallet

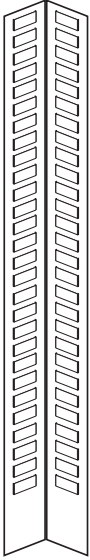


Flat-head screwdriver



Two person assembly

COMPONENTS



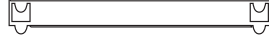
90° Legs
Tab Slots Upright
(x6)



120° Legs
Tab Slots Upright
(x4)



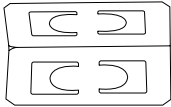
900mm Beams
with Tabs
(x10)



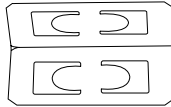
695mm Beams
with Tabs
(x5)



400mm Beams
with Tabs
(x10)



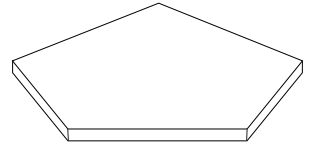
90° Upright Connectors
(x3)



120° Upright Connectors
(x2)



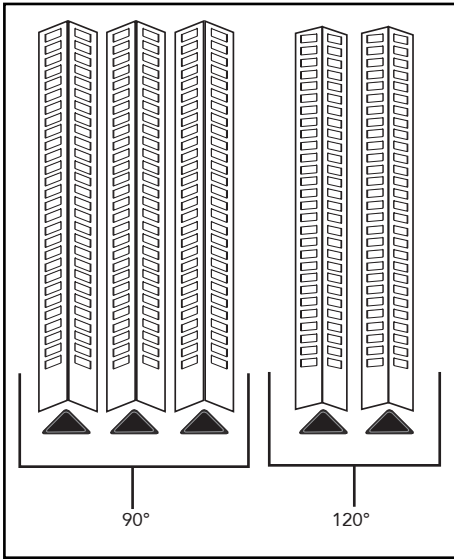
Plastic Feet
(x10)



MDF Shelves
(x5)

If you are having difficulty using this product and require support,
please contact hello@domu.co.uk

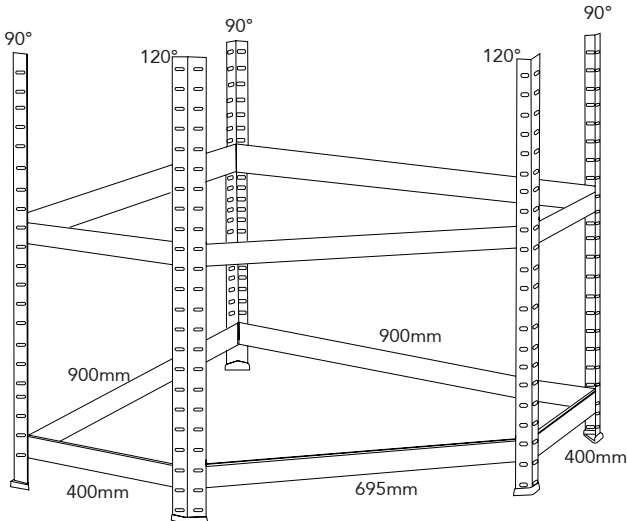
ASSEMBLY



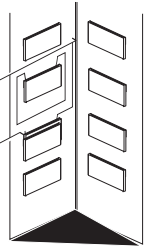
STEP 1. ASSEMBLING THE LEGS

Take 3 of the 90° Legs and 2 of 120° Legs and attach Plastic Feet to the bottom of each.

STEP 2. Build the Corner Racking from the bottom upwards, selecting the correct Beams (as shown).



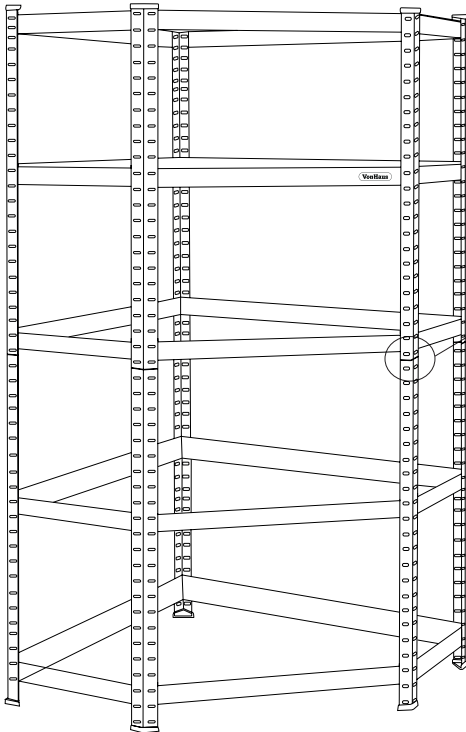
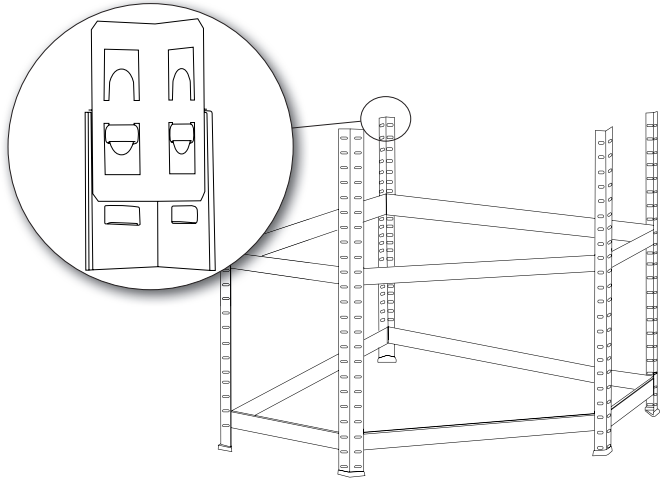
TIP: If necessary, use a screwdriver to guide the Tabs on the Beams into the Tab Slots on the Legs.



ASSEMBLY

STEP 3. Once the first 2 tiers have been assembled, take the 90° and 120° Upright Connectors (as appropriate) and secure onto the top angled part of the Legs.

IMPORTANT: Ensure that the Upright Connectors are securely fastened to the lower Legs before attaching upper Legs.



STEP 4. Continue to build upwards, following the same process as in **step 2** for the lower tiers.

Attach the upper tier onto the lower tier using the Upright Connectors.

IMPORTANT: Ensure the Connectors are correctly secured into the Tab Slots on the Legs.

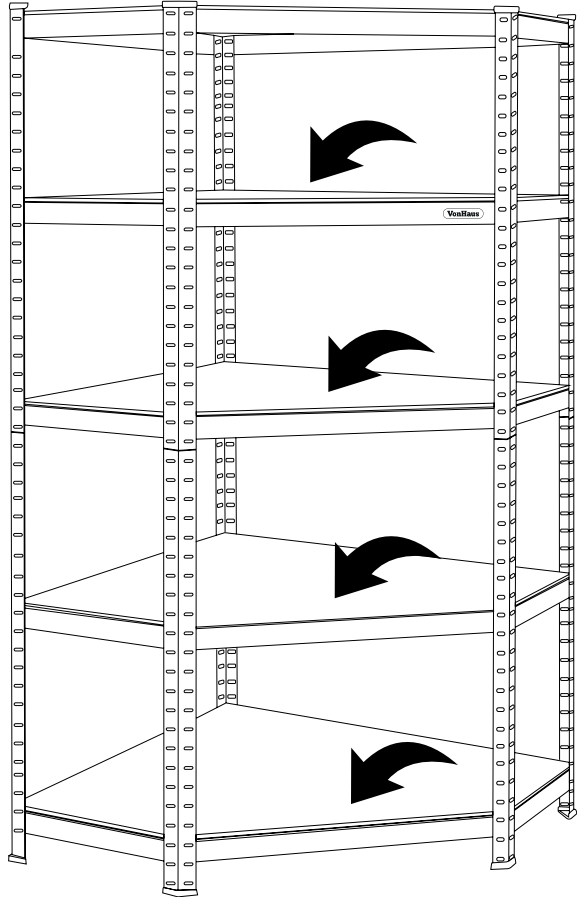
ASSEMBLY

STEP 5. Once the frame has been completed, attach the rest of the Plastic Feet to the top of the structure. Using two people, move the empty structure carefully into position. Resecure any parts if necessary.

CAUTION: Do not attempt to move the Corner Racking whilst objects are placed on the unit.

Place the MDF Shelves onto each tier to complete assembly.

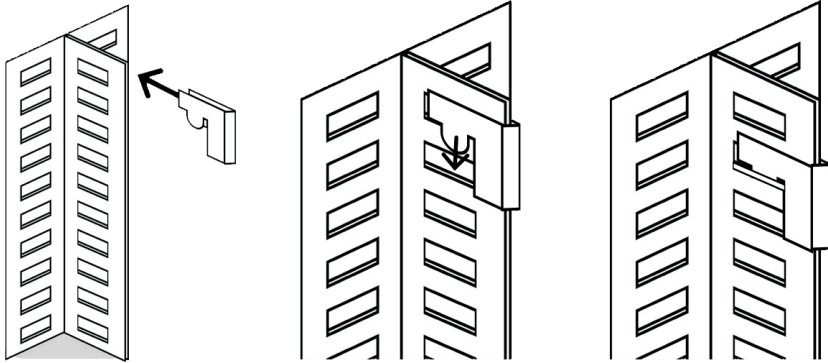
CAUTION: Take care not to trap fingers or any loose clothing.



15/023 USING BAY CONNECTORS

(SOLD SEPARATELY)

Using the Bay Connectors will improve the stability of multiple units when used together.



DISPOSAL INFORMATION

Please recycle where facilities exist. Check with your local authority for recycling advice.

WARRANTY

To register your product and find out if you qualify for a free extended warranty, go to:

www.VonHaus.com/warranty

Please retain a proof of purchase receipt or statement as proof of the purchase date.

The warranty only applies if the product is used solely in the manner indicated in the Warnings page of this manual, and all other instructions have been followed accurately. Any abuse of the product or the manner in which it is used will invalidate the warranty.

Returned goods will not be accepted unless re-packaged in its original packaging and accompanied by a relevant and completed returns form. This does not affect your statutory rights.

No rights are given under this warranty to a person acquiring the unit second-hand or for commercial or communal use.

COPYRIGHT

All material in this instruction manual are copyrighted by DOMU Brands Ltd.

Any unauthorised use may violate worldwide copyright, trademark, and other laws.

Thank you for purchasing the Corner Racking.

VonHaus® is a registered trademark of DOMU Brands Ltd
Made in China for DOMU Brands Ltd M24 2RW